



FOOD EQUIPMENT

SERVING THE FOOD INDUSTRY SINCE 1951

10L BOWL CUTTER

Items: 47191 | Model: FP-CN-0010



OMCAN'S 10L BOWL CUTTER IS IDEALLY SUITED FOR PROCESSING DIFFERENT KINDS OF ROOTS, STEMS, LEAVES AND VEGETABLES INTO PASTE SPEEDILY AND EFFECTIVELY.



WARRANTY
PARTS AND LABOR



NEMA
5 - 15
125 VAC / 15 AMP
RECEPTACLE



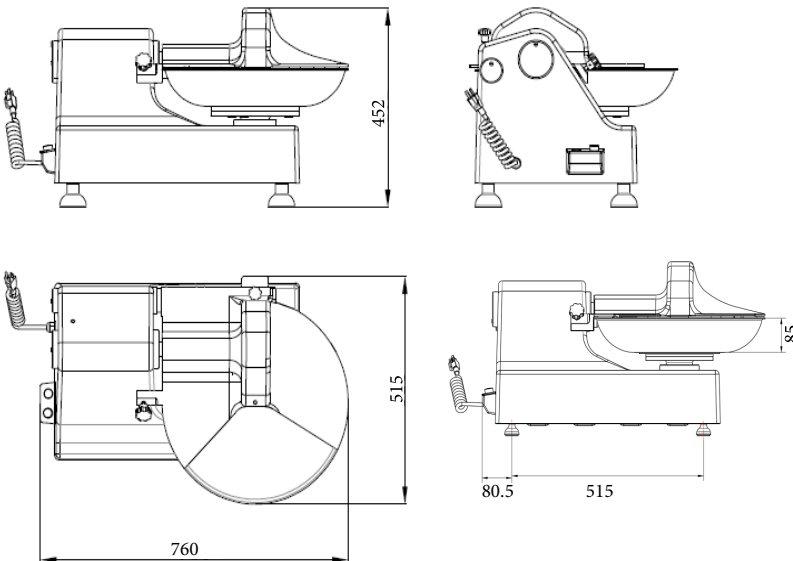
Authorized Dealer

TECHNICAL SPECIFICATIONS

Item	47191
Model	FP-CN-0010
Bowl Capacity	10L / 10.57 QT
Working Capacity	Min: 2 kg (4.4 lb) Max 7 kg (15 lb)
Bowl Dimensions (Dia x Depth)	18.1" x 3.3"
Productivity	218 kg/h
Electrical	110V / 60Hz / 1 Ph
Power	1 HP / 0.75 kW
RPM	1450 RPM
Net Weight	110.2 lbs 50 kg
Gross Weight	144.4 lbs 65.5 kg
Dimensions (DWH)	30" x 20.3" x 17.8"
Gross Dimensions	33.6" x 23.7" x 23.7"



TECHNICAL DRAWINGS & DIMENSIONS



FEATURES:

- Can process different kinds of roots, stems, leaves and vegetables into paste speedily and effectively
- Ability to mix different kinds of stuffings evenly, which is ideal equipment for processing dumpling and buns
- Processes food and high-speed rotating blades-unit to do relative motion, and differential rotary cut the food into paste
- Blades are sharp, rable, and sophisticated, which ensures good cutting efficiency,
- Slight temperature lifting and short cutting time, which improves the emulsification, the elastic, the smooth and yield of stuffings
- Features good waterproof properties, safety, reliability, long service life, low noise, simple operation and easy maintenance

*measurements in diagrams are in mm

OMCAN INC.

Telephone: 1-800-465-0234
 Fax: (905) 607-0234
 Email: sales@omcan.com
 Website: www.omcan.com



Follow us to keep up to date with the latest news and offers

