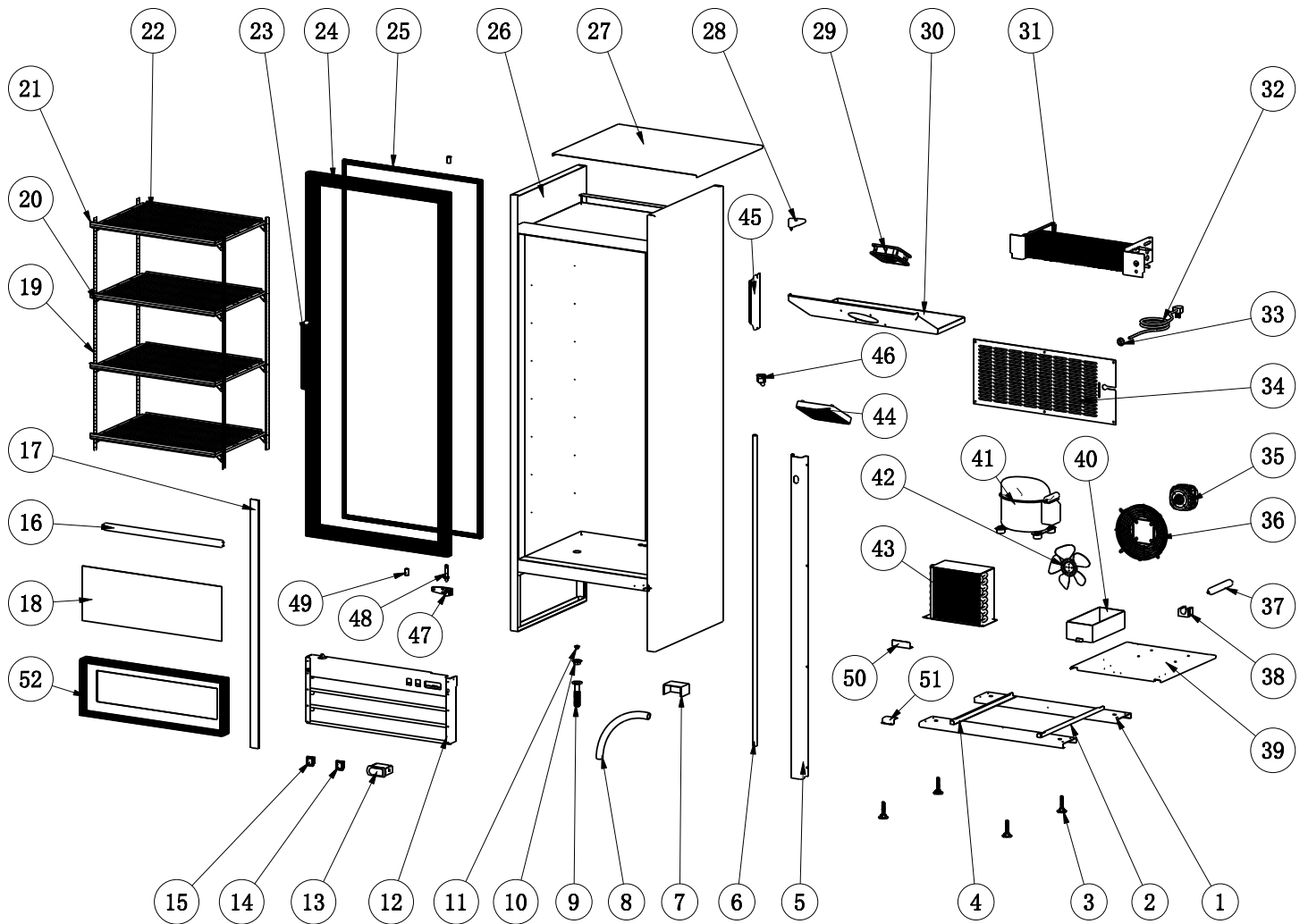


Parts Breakdown

Model RE-CN-0014E-H 59035



Parts Breakdown

Model RE-CN-0014E-H 59035

| Item No. | Description | Position | Item No. | Description | Position | Item No. | Description | Position |
|----------|---|----------|----------|--------------------------------|----------|----------|--|----------|
| AE907 | Castor Supporter for 59035 | 1 | AE911 | K Strip for 59035 | 19 | AI968 | Filter for 59035 | 37 |
| AE896 | Right Track for Installation Board for 59035 | 2 | 26884 | K Clip for 59035 | 20 | AB595 | Filter Fixer for 59035 | 38 |
| AA185 | Leveling Feet for 59035 | 3 | AA725 | Shelf Tag for 59035 | 21 | AE904 | Compressor Unit Installation Board for 59035 | 39 |
| AE897 | Left Track for Installation Board for 59035 | 4 | AM514 | Shelf for 59035 | 22 | AE905 | Outer Drain Pan for 59035 | 40 |
| AE908 | Air Pipe Protection Board for 59035 | 5 | AA695 | Glass Door Handle for 59035 | 23 | AI386 | Compressor for 59035 | 41 |
| AA528 | Inner Drain Pipe for 59035 | 6 | AA727 | Glass Door for 59035 | 24 | AA962 | Blade of Evaporator Fan Motor for 59035 | 42 |
| AA214 | Thermostat Water Proof Cover for 59035 | 7 | AA728 | Glass Door Gasket for 59035 | 25 | AM517 | Condenser for 59035 | 43 |
| AA216 | Drain Tube for 59035 | 8 | AE912 | Top Cover for 59035 | 27 | AA710 | Evaporator Fan Motor Cover for 59035 | 44 |
| AA686 | Plastic Drain Pipe with Fixer for 59035 | 9, 10 | AB966 | Hinge for 59035 | 28 | AM179 | LED Power Supply for 59035 | 45 |
| AA687 | Drain Pipe Cover for 59035 | 11 | AM515 | Evaporator Fan Motor for 59035 | 29 | AF036 | Elbow Pipe for 59035 | 46 |
| AE909 | Front Grille for 59035 | 12 | AE913 | Evaporator Cover for 59035 | 30 | AA713 | Hinge for 59035 | 47 |
| 27185 | Carel Temperature Controller PYGX1Z0501 for 59035 | 13 | AA733 | Evaporator for 59035 | 31 | AA714 | Hinge Axis for 59035 | 48 |
| AA362 | LED Light Switch for 59035 | 14 | AA135 | Power Cord for 59035 | 32 | AA715 | Axis Cover for 59035 | 49 |
| AA124 | Power Switch for 59035 | 15 | AA703 | Power Cord Cover for 59035 | 33 | AB974 | Handle for Installation Board for 59035 | 50 |
| AM513 | LED in Light Box for 59035 | 16 | AE914 | Back Grill for 59035 | 34 | AA304 | Installation Board Limited Block for 59035 | 51 |
| AG461 | LED Light for 59035 | 17 | AM516 | Condenser Fan Motor for 59035 | 35 | AA740 | Light Box Frame for 59035 | 52 |
| AA723 | Handle of Installation Board for 59035 | 18 | AI960 | Condenser Fan Cover for 59035 | 36 | | | |