



# DISPLAY WARMERS

SERVING THE FOOD INDUSTRY SINCE 1951

## SQUARE GLASS COUNTERTOP DISPLAY WARMER

Item: 47425 - 47426 - 47427 - 47428

### STANDARD FEATURES

Brilliant Internal LED illumination on top

Adjustable temperature controller

Temperature display

Adjustable chrome plated shelves

Front flat glass

Sliding doors



47425



47427



47426



47428



**WARRANTY**  
PARTS AND LABOR



NEMA  
5-15  
125 VAC / 15 AMP  
RECEPTACLE



Authorized Dealer



# DISPLAY WARMERS

## SQUARE GLASS COUNTERTOP



### TECHNICAL SPECIFICATIONS

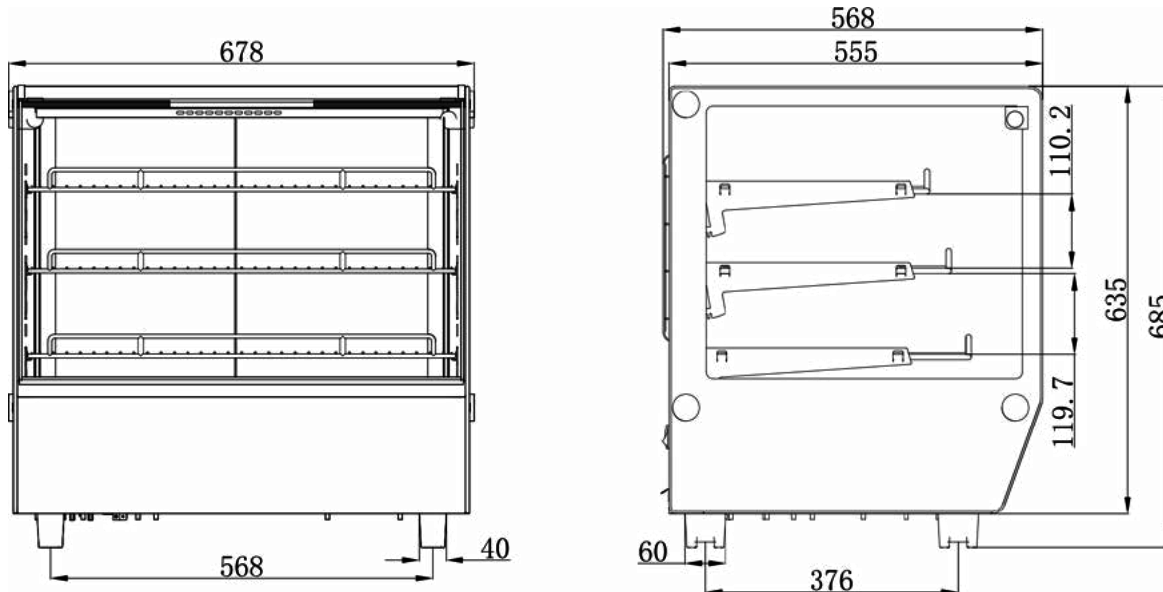
#### 120 L Square Glass Countertop Display Warmer

<b>Item</b>	47425
<b>Model</b>	DW-CN-0120-5
<b>Electrical</b>	110V
<b>Power Input</b>	1650W
<b>Rated Current</b>	15A
<b>Capacity</b>	120L
<b>Shelf Capacity</b>	15KG / 33.1Lbs
<b>Rack Size</b>	398 x 636 mm / 15.7" x 25.0" 367 x 636 mm / 14.4" x 25.0" 335 x 636 mm / 13.2" x 25.0"
<b>Max. Ambient Temperature</b>	NA
<b>Temperature Range</b>	30 - 90°C / 86 - 194°F
<b>Net Weight</b>	38.5 Kg / 84.9 lbs
<b>Shipping Weight</b>	41.5 Kg / 91.5 lbs
<b>Dimensions (DWH)</b>	678 x 568 x 686 mm / 26.7" x 22.4" x 27"
<b>Shipping Dimensions</b>	749 x 627 x 731 mm / 29.5" x 24.7" x 28.8"



### TECHNICAL DRAWINGS & DIMENSIONS

\*measurements in diagrams are in mm



### OMCAN INC.

Telephone: 1-800-465-0234  
 Fax: (905) 607-0234  
 Email: sales@omcan.com  
 Website: www.omcan.com



Follow us to keep up to date with the latest news and offers



2017E&OE

# DISPLAY WARMERS

## SQUARE GLASS COUNTERTOP



### TECHNICAL SPECIFICATIONS

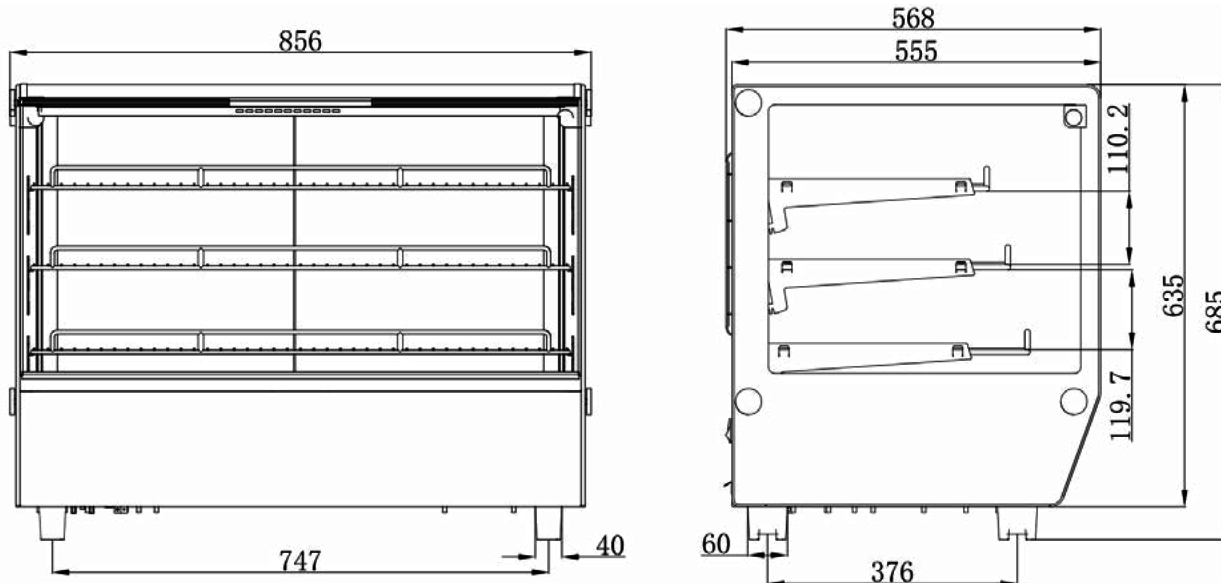
#### 160 L Square Glass Countertop Display Warmer

<b>Item</b>	47426
<b>Model</b>	DW-CN-0160-5
<b>Electrical</b>	110V
<b>Power Input</b>	1650W
<b>Rated Current</b>	15A
<b>Capacity</b>	160L
<b>Shelf Capacity</b>	15KG / 33.1Lbs
<b>Rack Size</b>	398 x 813 mm / 15.7" x 32.0" 367 x 813 mm / 14.4" x 32.0" 335 x 813 mm / 13.2" x 32.0"
<b>Max. Ambient Temperature</b>	NA
<b>Temperature Range</b>	30 - 90°C / 86 - 194°F
<b>Net Weight</b>	47 Kg / 103.6 lbs
<b>Shipping Weight</b>	50 Kg / 110.2 lbs
<b>Dimensions (DWH)</b>	856 x 568 x 686 mm / 33.7" x 22.4" x 27"
<b>Shipping Dimensions</b>	928 x 627 x 731 mm / 36.5" x 24.7" x 28.8"



### TECHNICAL DRAWINGS & DIMENSIONS

\*measurements in diagrams are in mm



## OMCAN INC.

Telephone: 1-800-465-0234  
 Fax: (905) 607-0234  
 Email: sales@omcan.com  
 Website: www.omcan.com



Follow us to keep up to date with the latest news and offers



2017E&OE

# DISPLAY WARMERS

## SQUARE GLASS COUNTERTOP



### TECHNICAL SPECIFICATIONS

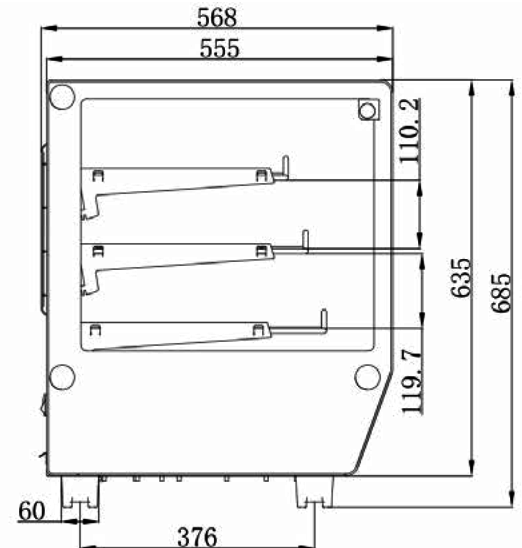
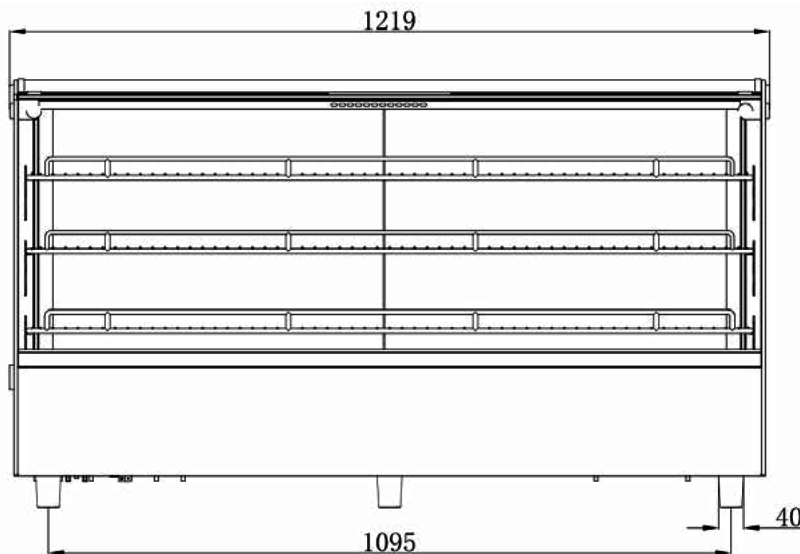
#### 202 L Square Glass Countertop Display Warmer

<b>Item</b>	47427
<b>Model</b>	DW-CN-0202-5
<b>Electrical</b>	110V
<b>Power Input</b>	1650W
<b>Rated Current</b>	15A
<b>Capacity</b>	202L
<b>Shelf Capacity</b>	20KG / 40.1Lbs
<b>Rack Size</b>	398 x 1167 mm / 15.7" x 45.9" 367 x 1167 mm / 14.4" x 45.9" 335 x 1167 mm / 13.2" x 45.9"
<b>Max. Ambient Temperature</b>	NA
<b>Temperature Range</b>	30 - 90°C / 86 - 194°F
<b>Net Weight</b>	60 Kg / 132.3 lbs
<b>Shipping Weight</b>	63 Kg / 138.9 lbs
<b>Dimensions (DWH)</b>	1219 x 588 x 685 mm / 48.0" x 23.1" x 27"
<b>Shipping Dimensions</b>	1290 x 627 x 735 mm / 50.8" x 24.7" x 28.9"



### TECHNICAL DRAWINGS & DIMENSIONS

\*measurements in diagrams are in mm



## OMCAN INC.

Telephone: 1-800-465-0234  
 Fax: (905) 607-0234  
 Email: sales@omcan.com  
 Website: www.omcan.com



Follow us to keep up to date with the latest news and offers



2017E&OE



# DISPLAY WARMERS

## SQUARE GLASS COUNTERTOP



### TECHNICAL SPECIFICATIONS

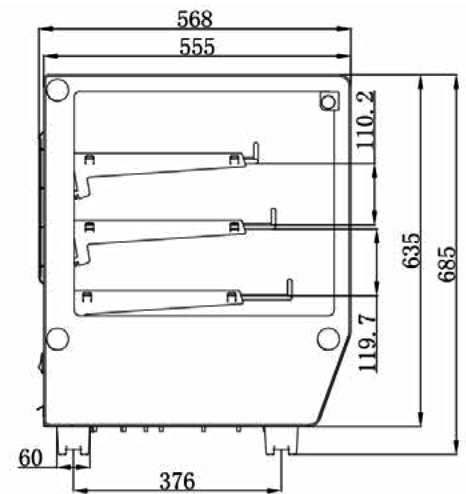
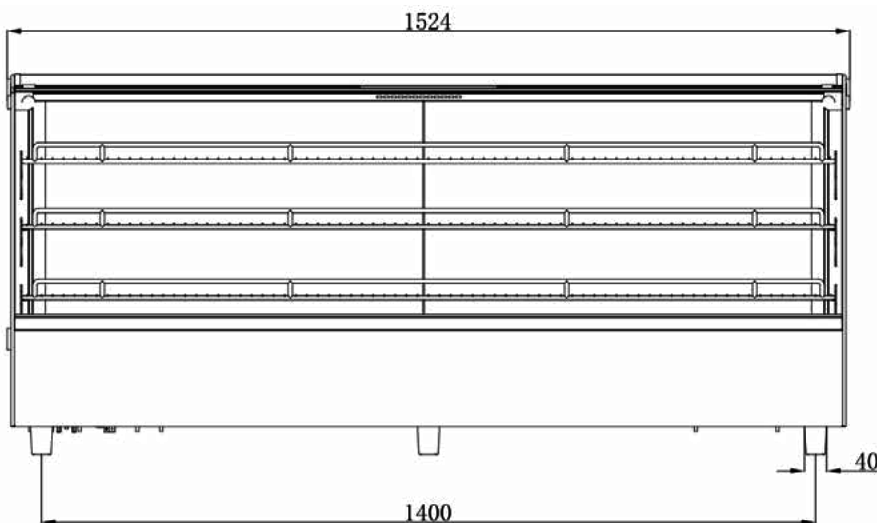
#### 252 L Square Glass Countertop Display Warmer

<b>Item</b>	47428
<b>Model</b>	DW-CN-0252-5
<b>Electrical</b>	110V
<b>Power Input</b>	1650W
<b>Rated Current</b>	15A
<b>Capacity</b>	252L
<b>Shelf Capacity</b>	25KG / 55.1Lbs
<b>Rack Size</b>	398 x 1167 mm / 15.7" x 45.9" 367 x 1167 mm / 14.4" x 45.9" 335 x 1167 mm / 13.2" x 45.9"
<b>Max. Ambient Temperature</b>	NA
<b>Temperature Range</b>	30 - 90°C / 86 - 194°F
<b>Net Weight</b>	74 Kg / 163.1 lbs
<b>Shipping Weight</b>	78 Kg / 172.0 lbs
<b>Dimensions (DWH)</b>	1524 x 568 x 685 mm / 60" x 22.4" x 27"
<b>Shipping Dimensions</b>	1595 x 927 x 735 mm / 62.8" x 36.5" x 28.9"



### TECHNICAL DRAWINGS & DIMENSIONS

\*measurements in diagrams are in mm



## OMCAN INC.

Telephone: 1-800-465-0234  
 Fax: (905) 607-0234  
 Email: sales@omcan.com  
 Website: www.omcan.com



Follow us to keep up to date with the latest news and offers



2017E&OE