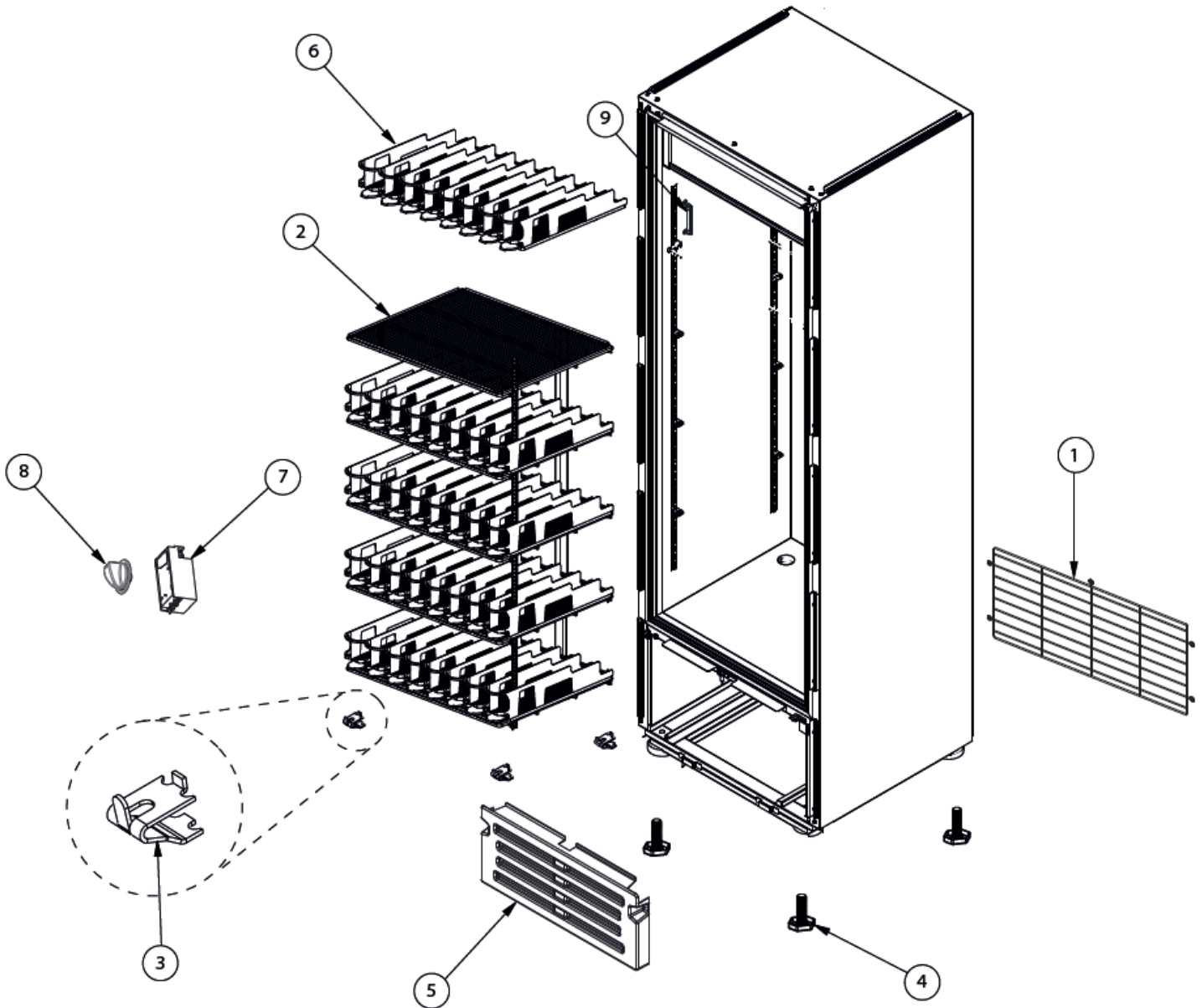


Parts Breakdown

Model G319 41161

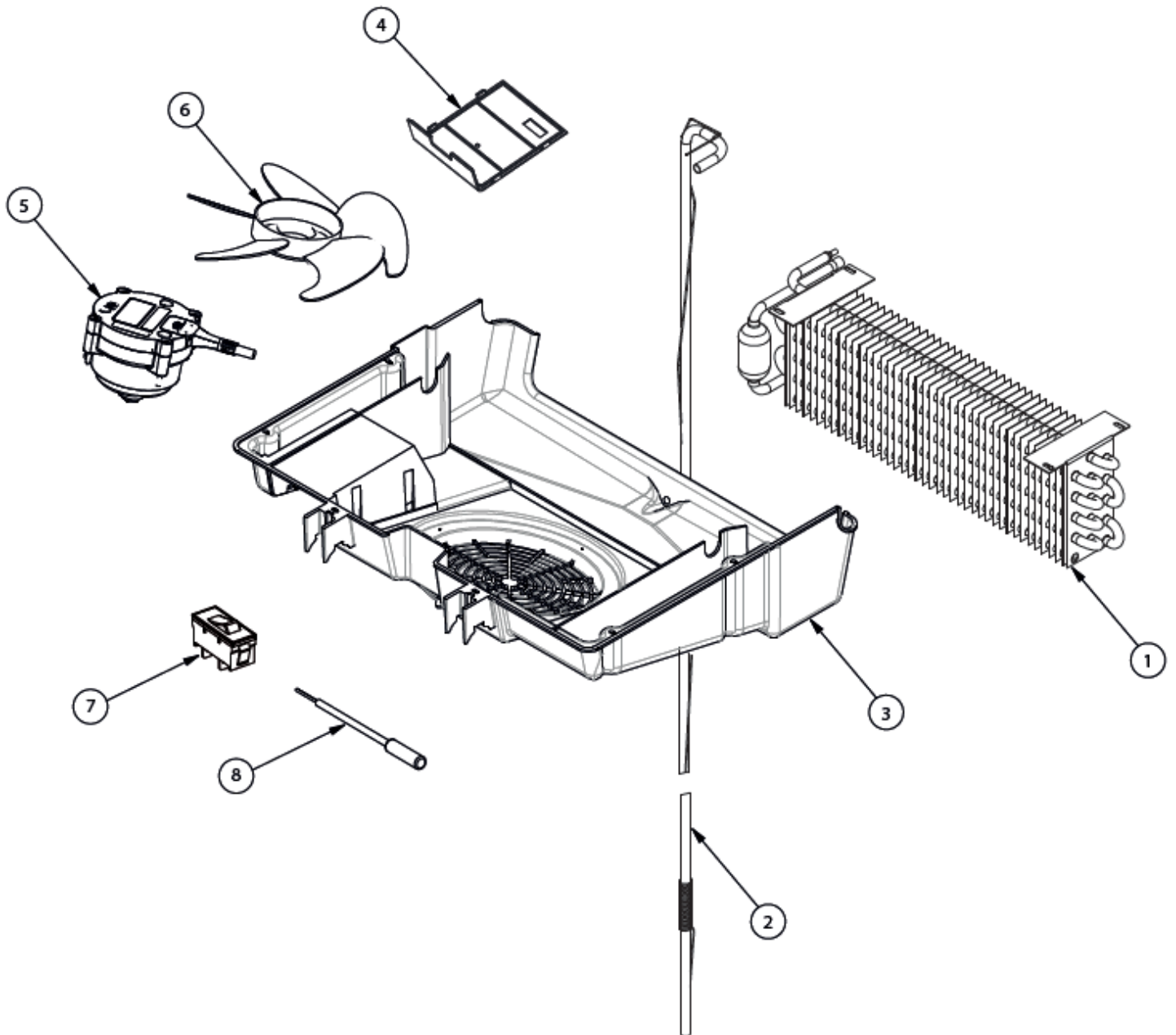
General Assembly



Parts Breakdown

Model G319 41161

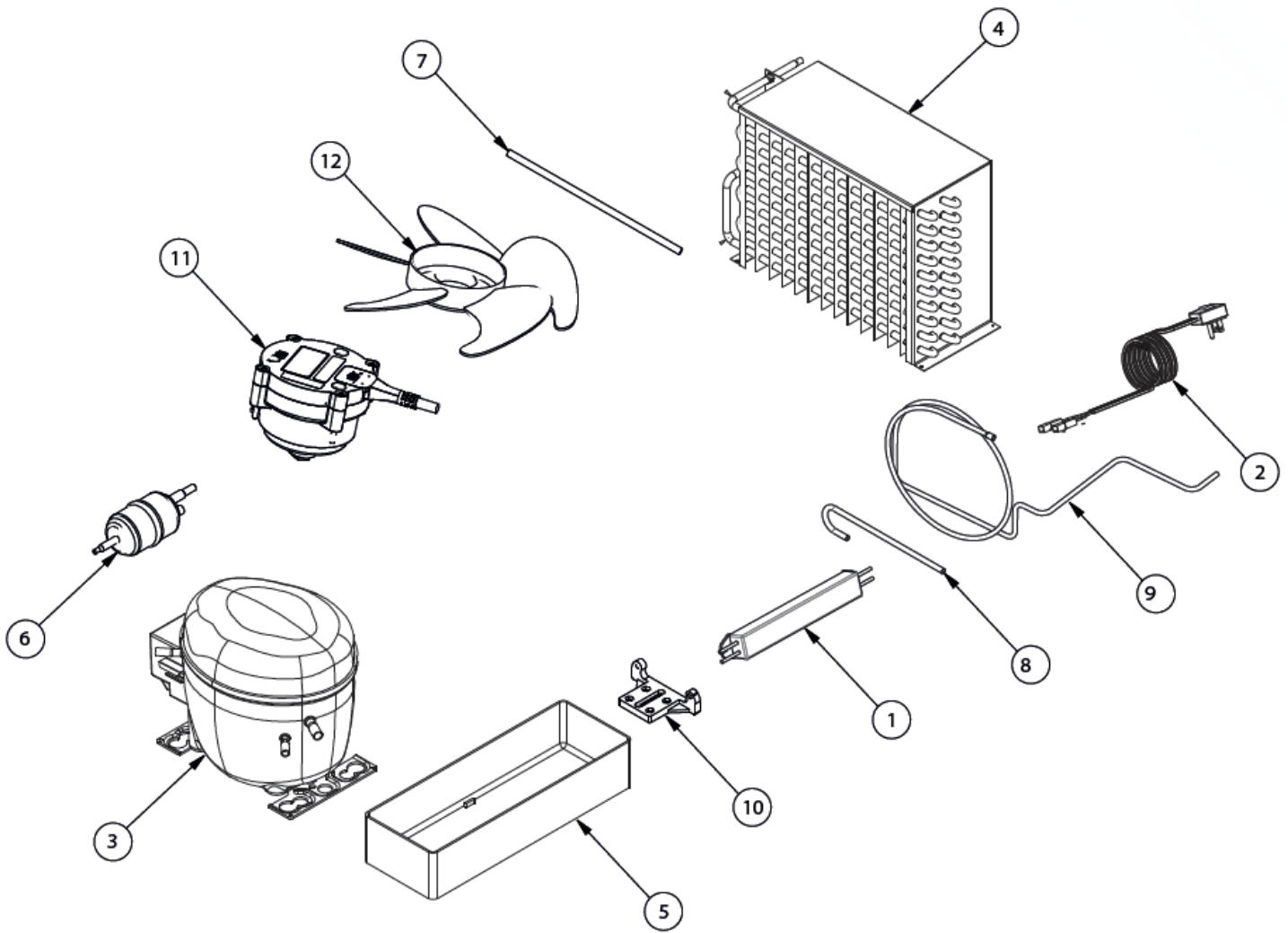
Evaporator Assembly



Parts Breakdown

Model G319 41161

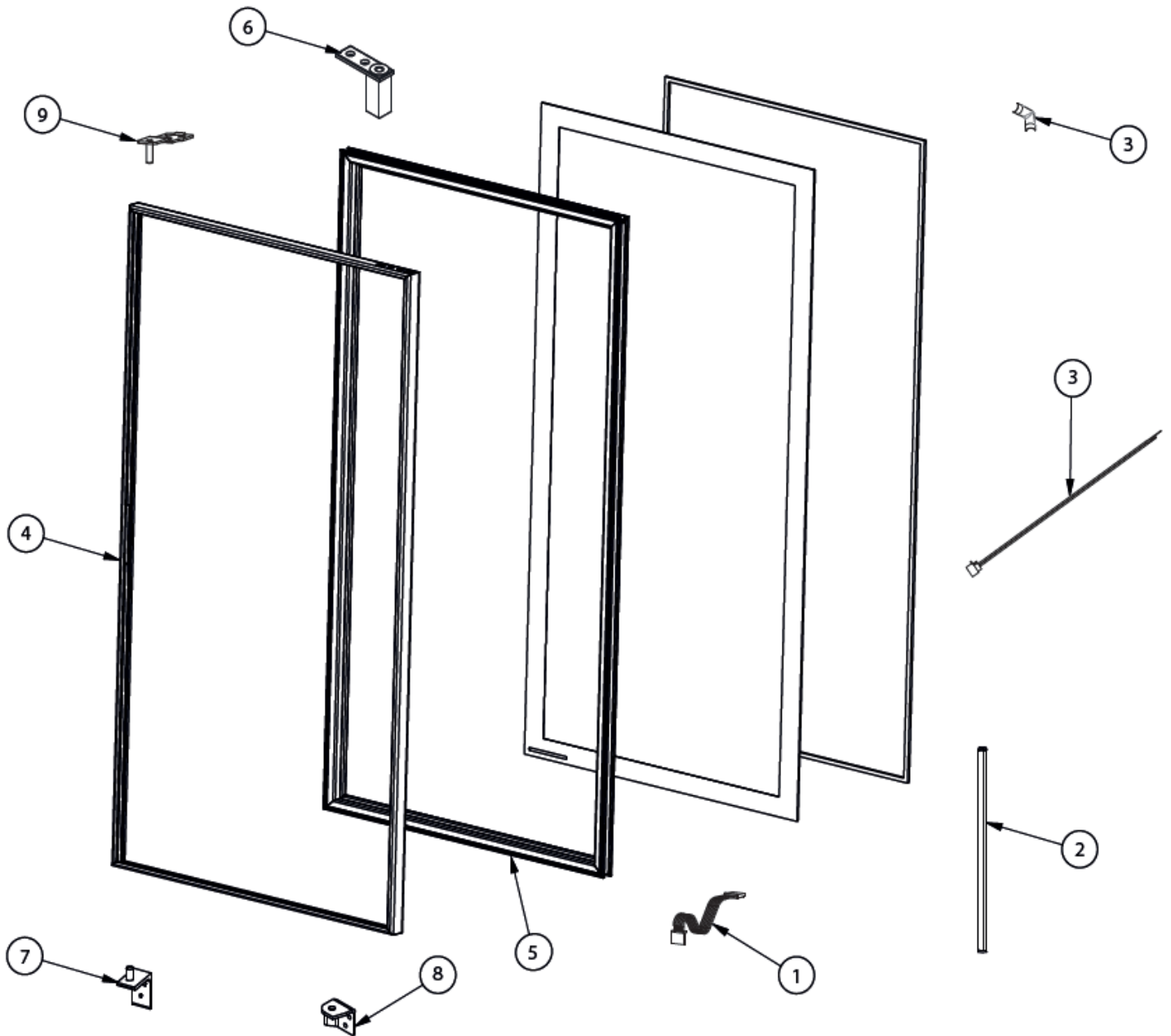
Condenser Assembly



Parts Breakdown

Model G319 41161

Door Assembly



Parts Breakdown

Model G319 41161

General Assembly

Item No.	Description	Position	Item No.	Description	Position	Item No.	Description	Position
62480	Back Grill for 41161	1	66443	Leveling Screw, 1/2"-13x1 1/2" for 41161	4	66506	Controller ELE BEV 115V N/SEN 6T for 41161	7
66503	Shelf G313x16x19 UL for 41161	2	66504	Front Grill, Ther BK Hole for 41161	5	66396	Knob, ABS Control for 41161	8
66399	Clip, F/Pilaster 16G Polished for 41161	3	66505	Kit Visislide Low 8 FTES CCE V12 for 41161	6	66507	Thermometer, Wall MTG, 3017492 for 41161	9

Evaporator Assembly

Item No.	Description	Position	Item No.	Description	Position	Item No.	Description	Position
66508	Evaporator 332 20T 1/4 AL 6FPI FIL490 PAI for 41161	1	66511	Cover, PLA CTRL WT G3 for 41161	4	66402	Rocker Switch, BK for 41161	7
66509	Cap Pipe, 0.049x120" for 41161	2	66512	Motor E WEL 1/70HP 115V 50/60HZ 1800RPM for 41161	5	66514	Temperature Sensor 3M ETC1H for 41161	8
66510	Evaporator Housing ABS for 41161	3	66513	Fan Blade, WEL PLA 8" Diam 28 Deg. for 41161	6			

Condenser Assembly

Item No.	Description	Position	Item No.	Description	Position	Item No.	Description	Position
66515	LED Current, Driver 24W R2 S450 W/ CON for 41161	1	66518	ABS Condenser Pan EV46x72 for 41161	5	66519	Suction Pipe 5/16" 1.400M CCV144 R2 for 41161	9
66425	Power Cord 115V 15A 14AWG for 41161	2	66417	Filter Dryer 0.9 HP DCL for 41161	6	66520	Motor E WEL 1/70HP 115V 50/60HZ 1800RPM for 41161	10
66516	Compressor SEC DEL-6.5CN 115V 60HZ R2 for 41161	3	66419	Charge Pipe 1/4" 0.180M for 41161	7	66512	Motor E WEL 1/70HP 115V 50/60HZ 1800RPM for 41161	11
66517	Condenser 388 NFI 72T 3/16 FE PAI UL HM for 41161	4	66474	Vacuum Pipe 1/4" 0.450M for 41161	8	66454	Fan Blade, WEL PLA 8 3/4 Diam. 25 Deg. for 41161	12

Door Assembly

Item No.	Description	Position	Item No.	Description	Position	Item No.	Description	Position
66521	Harness, Door HG NGD UL 1DRV for 41161	1	66524	Door G J RHG LED SCC W/Wire BDH for 41161	4	69050	Hinge - Met Bot LEF SCC G00 for 41161	7, 8
66522	Module, 8 LEDS 1.2W 54MA V7 Serie for 41161	2	66525	Door Gasket Universal 748x1627mm for 41161	5	66434	Met Top Hinge UNI Slope OPT for 41161	9
66523	Harness, F-M Moduled V7 for 41161	3	66526	Self Closing, Steek-TSL BK W/Wire for 41161	6			