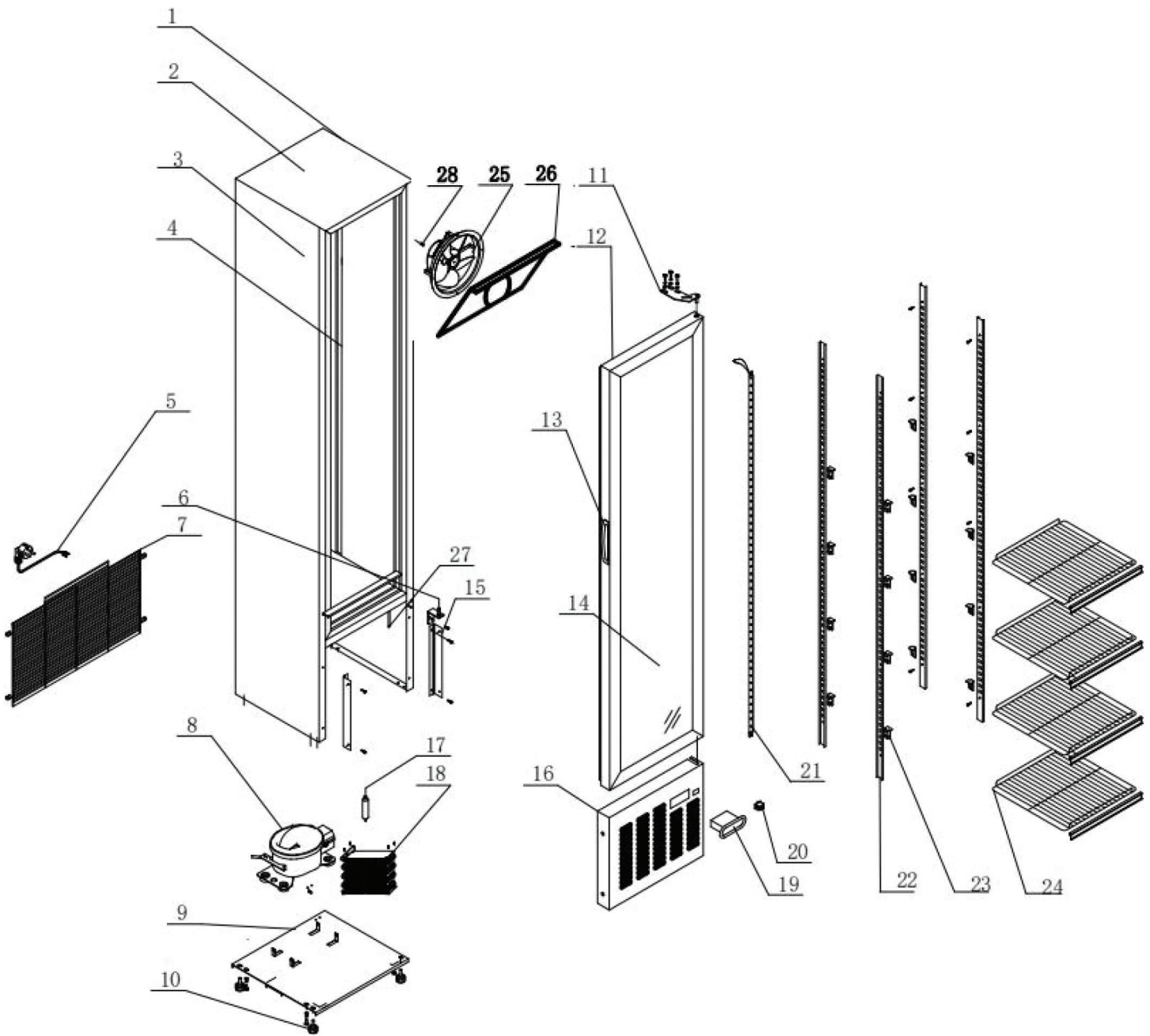


Parts Breakdown

Model **FR-CN-0105** 47241



Parts Breakdown

Model FR-CN-0105 47241

Item No.	Description	Position	Item No.	Description	Position	Item No.	Description	Position
A0986	Left Side Board for 47241	1	AH288	Top Hinge for 47241	11	AH222	Light on Glass Door for 47241	21
A0987	Top Board for 47241	2	A0991	Door Seal for 47241	12	AH287	Shelf Support for 47241	22
A0988	Right Side Board for 47241	3	A0992	Door Handle for 47241	13	AH286	Shelf Clip for 47241	23
A0989	AL Interior for 47241	4	AH285	Glass Door for 47241	14	AH291	Shelf for 47241	24
AH275	Power Line for 47241	5	AH283	Front Cover Connection Strip for 47241	15	A0996	Internal Fan for 47241	25
AH284	Bottom Hinge for 47241	6	AH282	Front Bottom Panel for 47241	16	A0997	Fan Cover Board for 47241	26
A0990	Back Cover for 47241	7	AH280	Filter Drier for 47241	17	A0998	Coil Evaporator for 47241	27
AH278	Compressor NUG60LR for 47241	8	AH271	Condenser for 47241	18	AP000	Temperature Probe for 47241	28
AH279	Bottom Board for 47241	9	AH264	Digital Temperature Controller for 47241	19			
AH277	Foot for 47241	10	AH265	Switch for 47241	20			