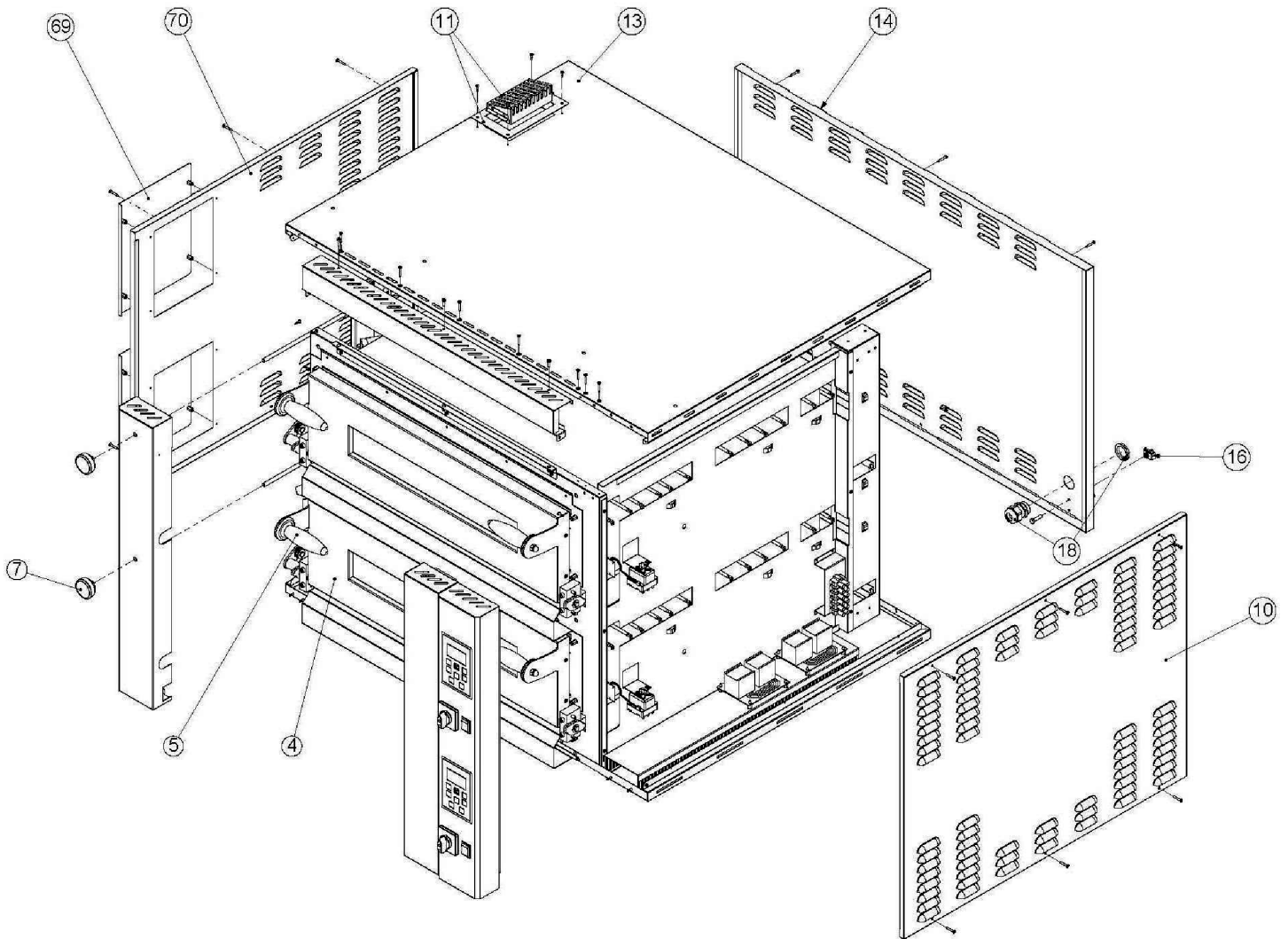


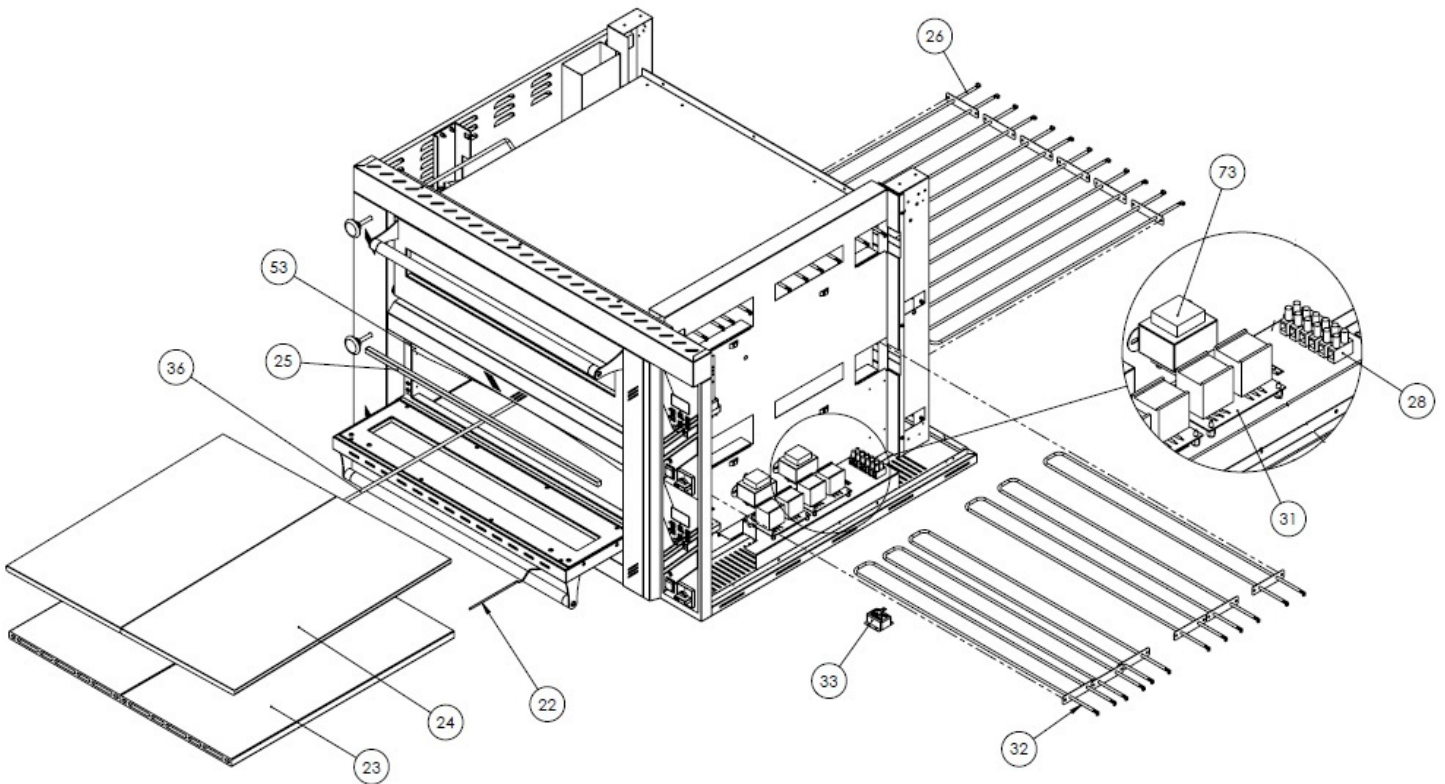
PARTS BREAKDOWN

ITEM	MODEL
40641	PE-IT-0049-D



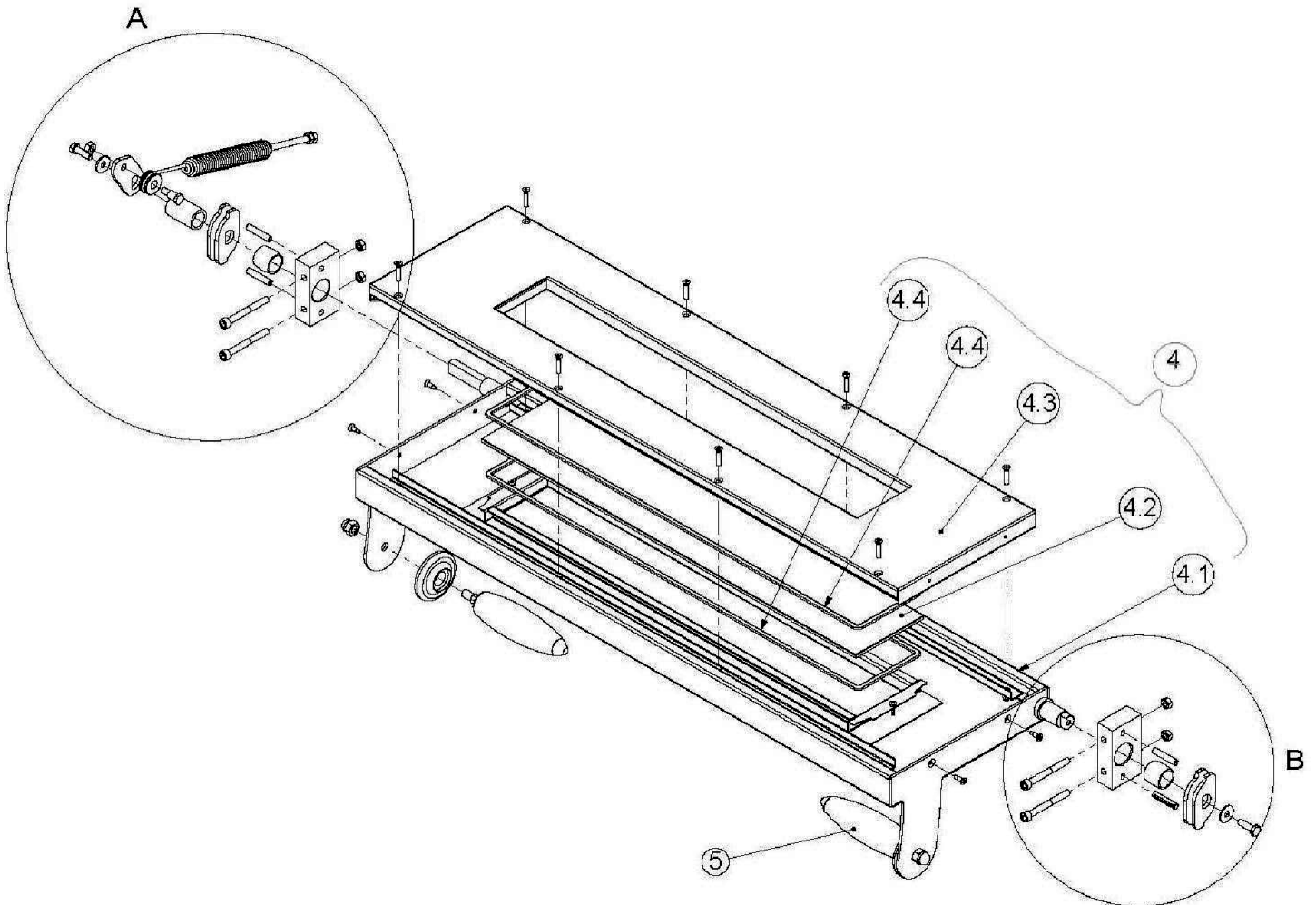
PARTS BREAKDOWN

ITEM	MODEL
40641	PE-IT-0049-D



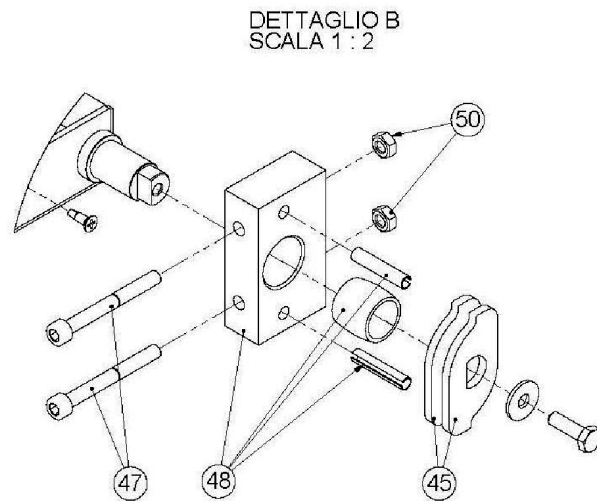
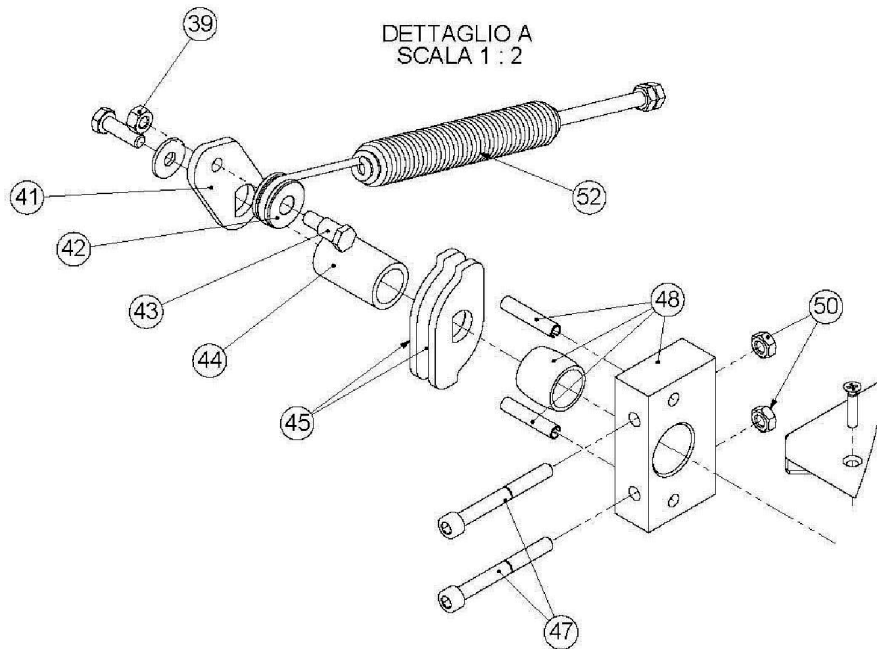
PARTS BREAKDOWN

ITEM	MODEL
40641	PE-IT-0049-D



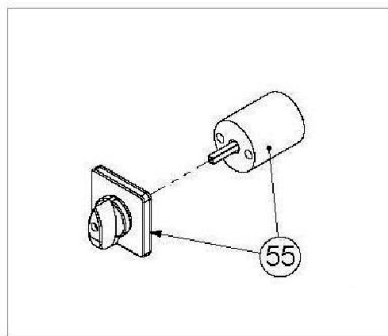
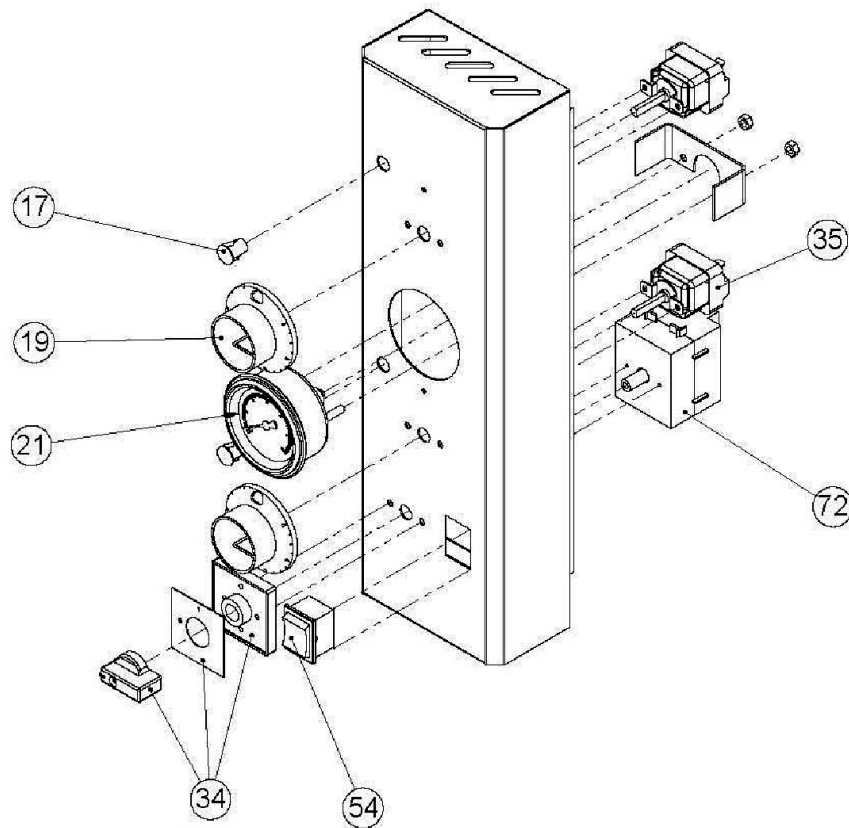
PARTS BREAKDOWN

ITEM	MODEL
40641	PE-IT-0049-D



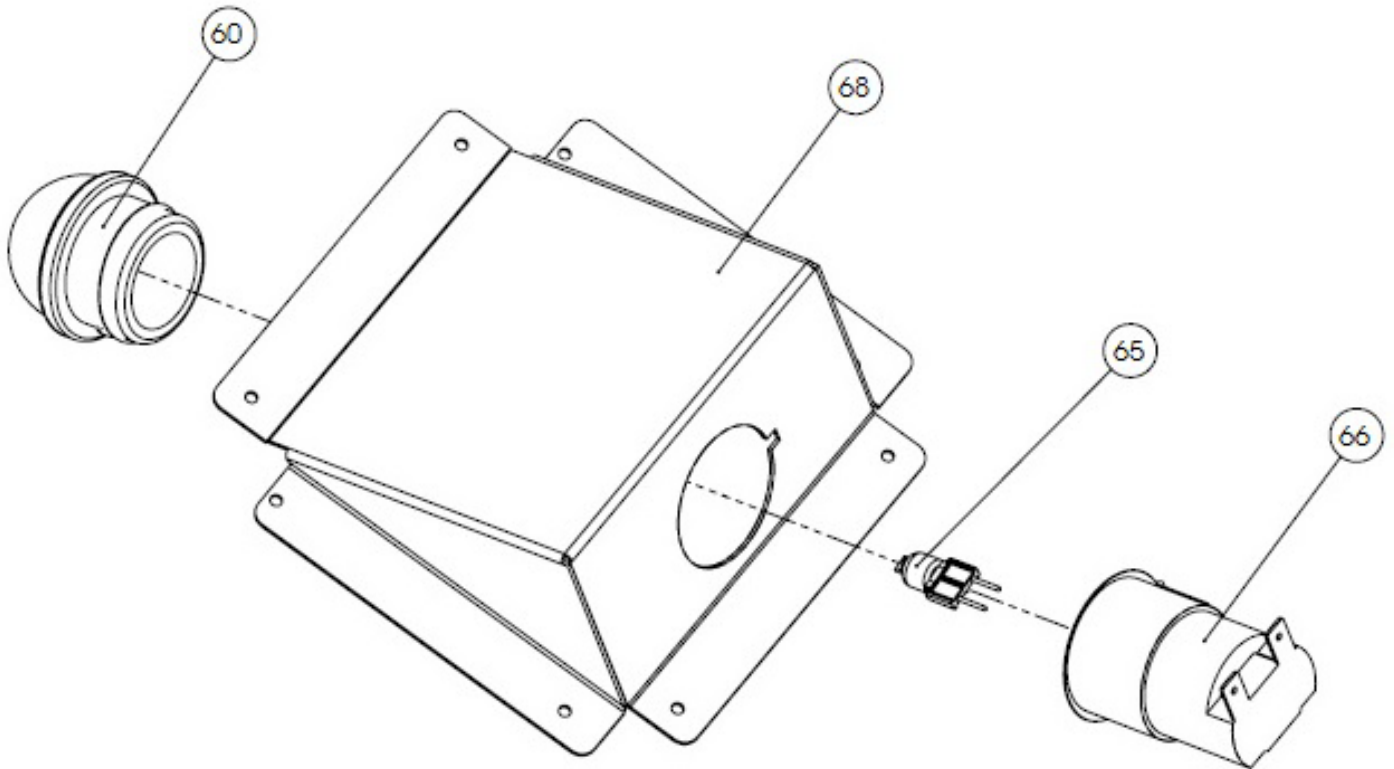
PARTS BREAKDOWN

ITEM	MODEL
40641	PE-IT-0049-D



PARTS BREAKDOWN

ITEM	MODEL
40641	PE-IT-0049-D



PARTS BREAKDOWN

ITEM	MODEL
40641	PE-IT-0049-D

Item No.	Description	Position	Item No.	Description	Position	Item No.	Description	Position
74732	Complete Oven Door for 40641	4	44772	Perforated Block 700x350x22 for 40641	23	74772	Countersunk Hex Head Screw M6x55 for 40641	47
74733	Complete Oven Assembly for 40641	4.1	76650	Brick 350x700x14 for 40641	24	74773	Door Fixing Block for 40641	48
74734	Glass-Ceramic Plate 865x94x-4mm for 40641	4.2	74753	Cord for 40641	25	74774	Door Rotation Bush for 40641	48
74735	Oven Door-Frame Assembly for 40641	4.3	42041	Resistance 400 W 230 V for 40641	26	74775	Shot Pin Ø 3x16 for 40641	48
74801	Tape in White Glass Fibre with Adhesive 6x2mm for 40641	4.4	42831	Terminal Board PA220FV 12 Poles 16sqmm 750V-76A for 40641	28	74776	Hexagonal Nut DIN 934 M6 for 40641	50
74737	Oven Door Handle Assembly for 40641	5	42030	Pizza Oven Relays Board for 40641	31	42033	Professional Spring for 40641	52
74738	Lobed Hand Wheel for 40641	7	74823	Resistance 900 W 230 V for 40641	32	74778	Cord Support for 40641	53
74739	Oven Side Panel for 40641	10	74824	Unipolar Safety Thermostat for 40641	33	42844	Luminous Bi-Polar Switch 0-1 CV2 for 40641	54
74740	Plaque for Flue Cover for 40641	11	74760	Grey Plate/Black Knob 48x48 (for 42036 Giovenzana Mainswitch 16/32 A) for 40641	34	42035	16 A Actuator P0160004R001 4-Polar Switch for 40641	55
74741	Flue Cover Assembly for 40641	11	AM897	Unipolar Thermostat Ego 450 Deg - (55.19082.805 - EU) for 40641	35	42046	Dome-Form Lamp Glass 77.222.-503.00 for 40641	60
74742	Superior Cover for 40641	13	74762	Heaters Support for 40641	36	74855	Halogen Bulb 12V 20W G4 for 40641	65
74743	Rear Panel for 40641	14	74746	Nut for Cable Gland OBO 106 PG 21 for 40641	38	74856	Bulb Holder G4 12V 20W BJB 77.912 for 40641	66
42837	Equipotential Attachment (OBO. T5012+OBO.5016M5) for 40641	16	74765	Self-Locking Nut M6 DIN 980 V for 40641	39	74858	Bulb Holder Support for 40641	68
42848	Transparent LED Bulb 380V (Including Hood) for 40641	17	74766	Hex Head Nut DIN 933 M6x20 for 40641	40	42036	Actuator 32A Switch for 40641	72
74746	Nut for Cable Gland OBO 106 PG 21 for 40641	18	74767	Spring Fixing Spline for 40641	41	62493	Transformer 40VA 50/60HZ 230V-12V for 40641	73
74747	Cable Gland OBO 106 PG 21 for 40641	18	74768	Wheel Rotation Pin Professional Release 2011 for 40641	42	AM699	Thermostat Probe Support Safety T.D. 8438.90.00 (Bracket) for 40641	
42049	AP10 Pizzagroup Oven (°C) Thermostat Knob for 40641	19	74769	Spring Rotation Wheel Professional Release 2011 for 40641	43	AM700	Unipolar Safety Thermostat 512TH - UL (55.13584.010) T.D. 8514.90.70 for 40641	
74749	Thermometer Ø 60 TAR. 0-500°C for 40641	21	74770	Door Spline Shim for 40641	44	AM701	Vite TC+ Autofor. 3.9x13 ZN NR 24.00 N8E T.D. 7318.12.10 for 40641	
74750	Probe T4JA44VH25IPD-F S/M 600° for 40641	22	74767	Spring Fixing Spline for 40641	45			