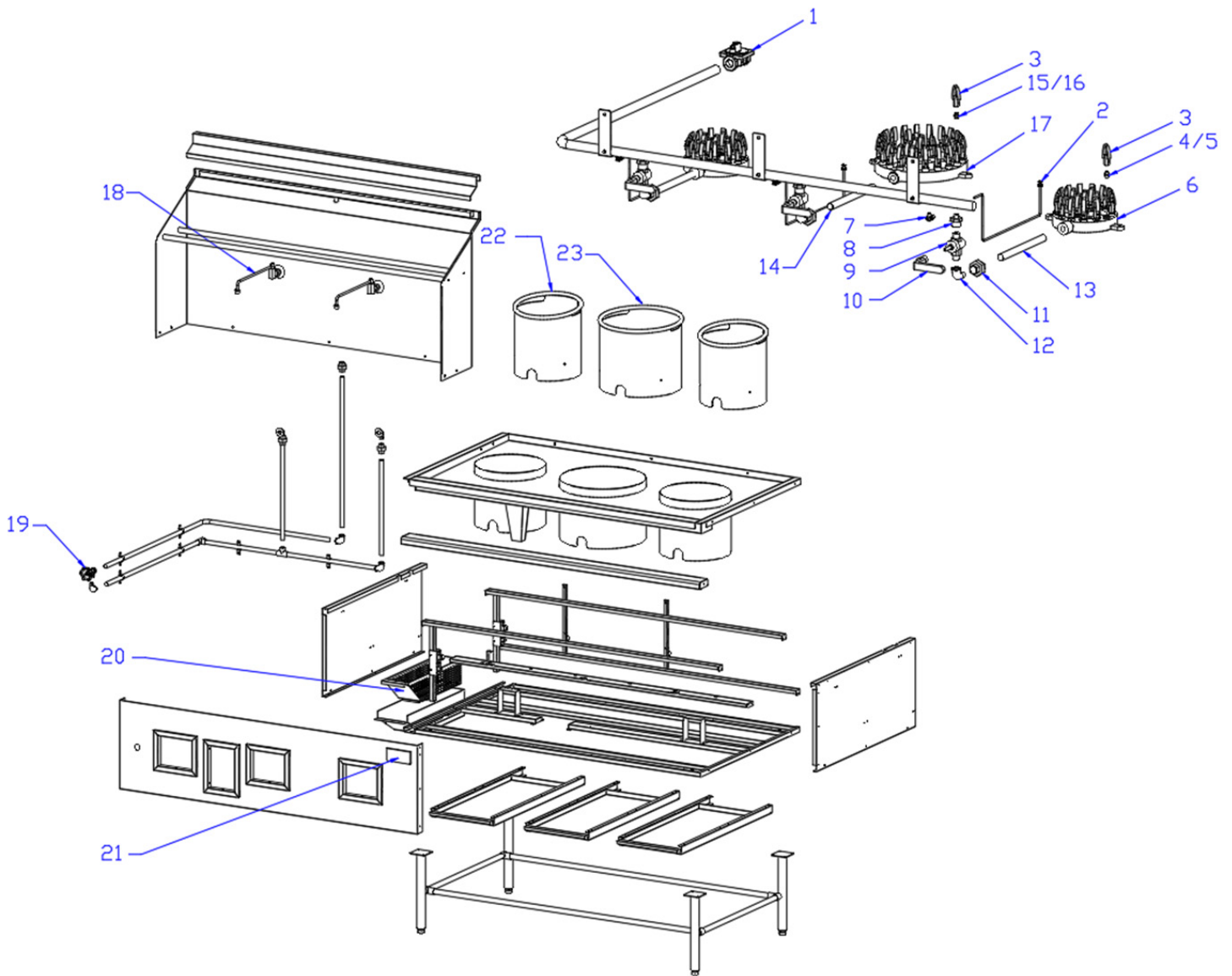


Parts Breakdown

Model **CE-CN-W3L1-NG** 48409





Parts Breakdown

Model **CE-CN-W3L1-NG** 48409

Item No.	Description	Position	Item No.	Description	Position	Item No.	Description	Position
AO220	Regulator for 48409	1	AI582	Gas Valve with Handle for 48409	9	AM917	Burner Base for 48409	17
AO221	Pilot Tube for 48409	2	AO229	Valve Handle for 48409	10	AO231	Faucet for 48409	18
AI586	Duck Mouth Burner for 48409	3	AI587	Union for 48409	11	AO232	Water Valve for 48409	19
AO223	Orifice NAT for 48409	4	AK430	Drain Extension for 48409	12	AR690	Tray Pan for 48409	20
AM921	Orifice LP for 48409	5	AR689	Stove Connecting Tube for 48409	13	AI780	Nameplate for 48409	21
AI585	Burner Base for 48409	6	AR694	Stove Connecting Tube for 48409	14	AR691	Inside Pot Stand 13" for 48409	22
AI583	Pilot Valve for 48409	7	AR692	Orifice NAT for 48409	15	AR695	Inside Pot Stand 16" for 48409	23
AO227	Valve Joint for 48409	8	AR693	Orifice LP for 48409	16			