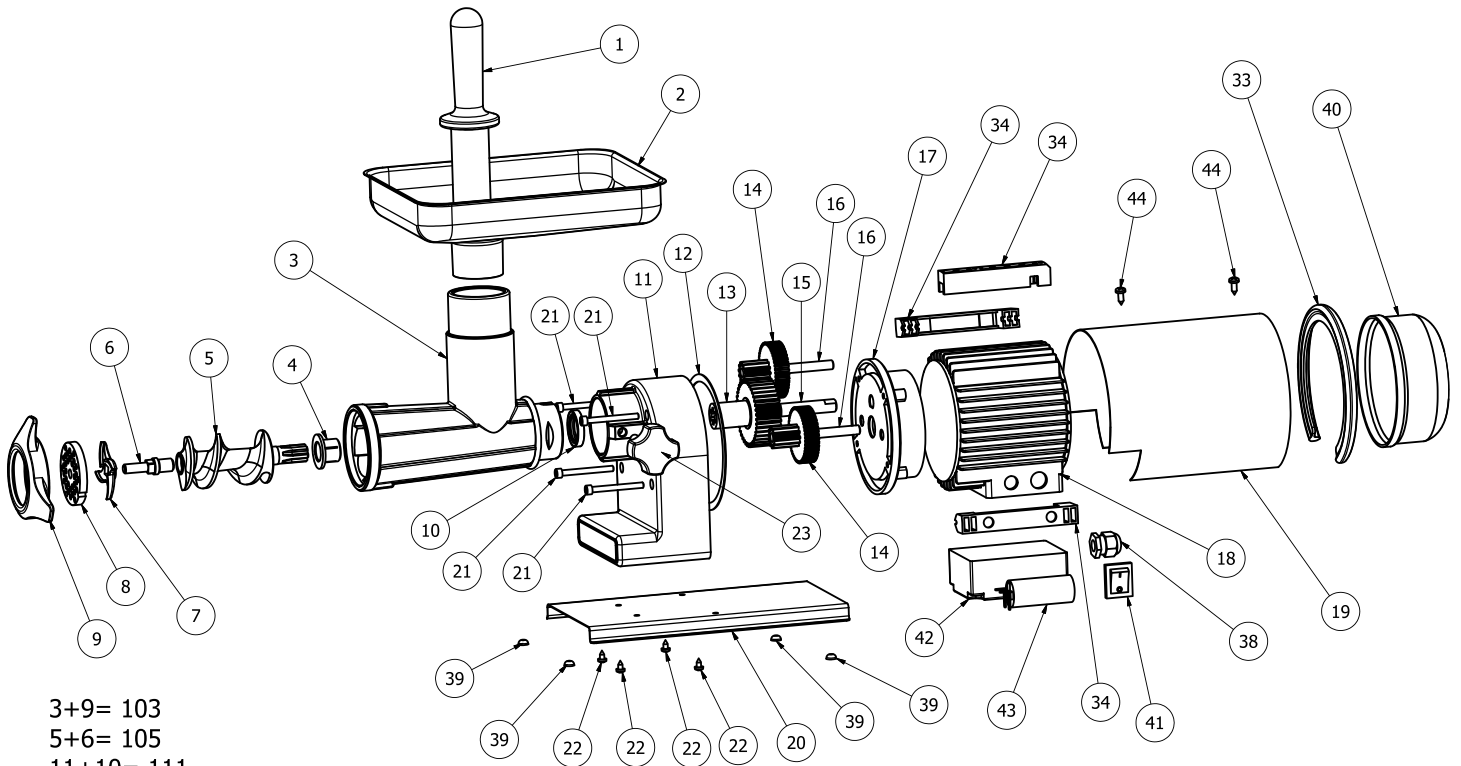


Parts Breakdown

Model MG-IT-0022 41421



- 3+9= 103
- 5+6= 105
- 11+10= 111
- 33+34+44= 133
- (39x4)= 139
- 20+(39x4)= 120

Parts Breakdown

Model MG-IT-0022 41421

Item No.	Description	Position	Item No.	Description	Position	Item No.	Description	Position
15241	Plunger for 41421	1	27663	Motor Reducer Gasket for 41421	12	67477	Capacitor for 41421	43
20266	Hopper for 41421	2	19151	Large Gear for 41421	13	67474	Body with Screw Ring for 41421	103
15250	Plastic Hopper for 41421	2	45893	Small Gear 12 Teeth/60 Teeth for 41421	14	67475	Worm with Pin (Cast Iron) for 41421	105
15264	Plastic Bushing for 41421	4	67480	Motor Reduction Unit for 41421	15 - 18	24546	Worm with Pin for 41421	105
15230	Worm Pin for 41421	6	69344	Stainless Steel Motor Cover for 41421	19	15255	Housing for 41421	111
N/A	Please see our Machine Knives section on our website	7	15246	Knob for 41421	23	67473	Base and 4 Feet Set for 41421	120
N/A	Please see our Machine Plates section on our website	8	15247	Motor Cover for 41421	40	67479	Spacer Kit and Screws Kit and Gasket for 41421	133
67476	Screw Ring for 41421	9	31249	Switch for 41421	41	67472	4 Feet Set for 41421	139
27660	Sealing Ring for 41421	10	45128	Switch Box for 41421	42	40300	Cooling Fan for 41421	