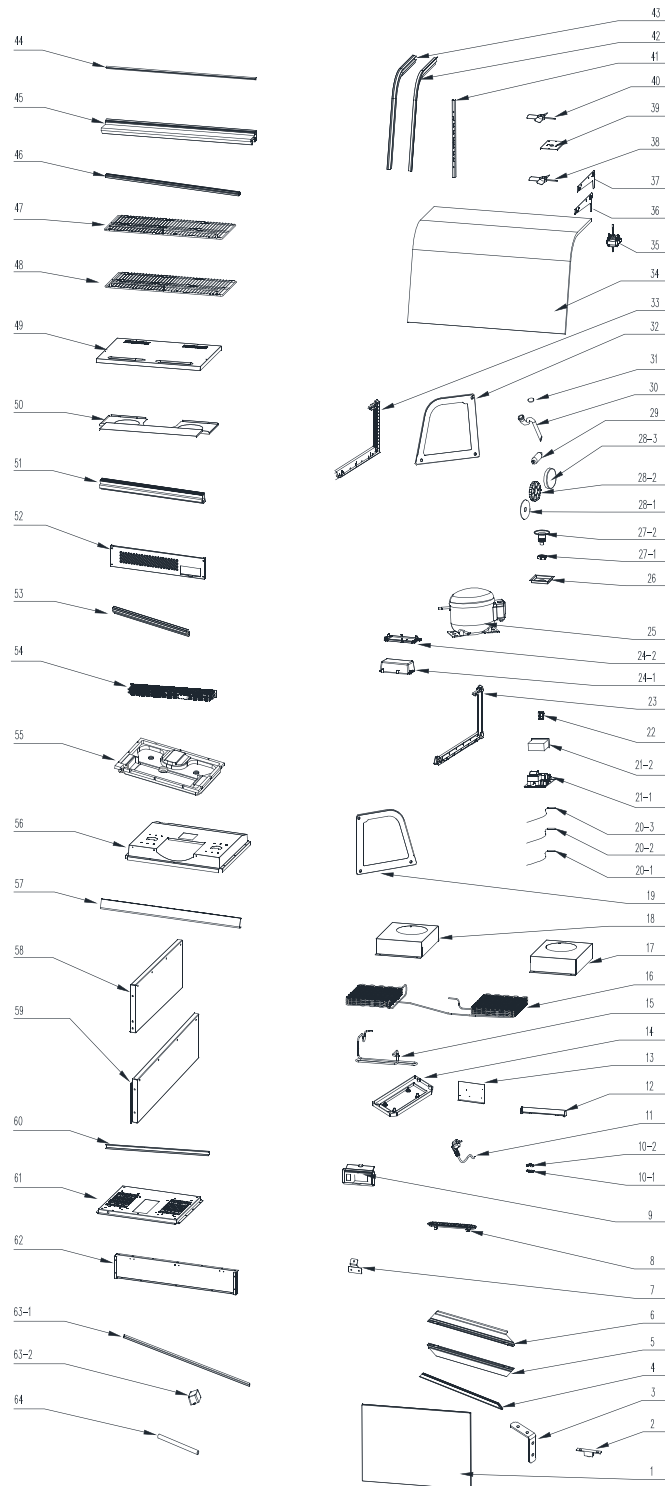


# Parts Breakdown

Model RS-CN-0120-4D 47560



# Parts Breakdown

## Model RS-CN-0120-4D 47560

Item No.	Description	Position	Item No.	Description	Position	Item No.	Description	Position
AL564	Door Glass for 47560	1	60119	Switch for 47560	22	30797	Left Seal for 47560	43
71639	Door Wheel for 47560	2	AL575	Left Panel for 47560	23	30754	Decorative Board for 47560	44
AK105	Door Frame Square Connector for 47560	3	AA050	Control Box for 47560	24-1	30755	Top Panel for 47560	45
AL565	Upper and Lower Door Frame for 47560	4	AA051	Control Box Cover for 47560	24-2	AL580	Top Insert Board for 47560	46
AK107	Left and Right Door Frame for 47560	5	60534	Compressor for 47560	25	30757	Shelf 2 for 47560	47
AK108	Door Frame with Handle for 47560	6	AA083	Backing Plate for 47560	26	30756	Shelf 1 for 47560	48
AL566	Front Frame Support for 47560	7	71518	Nut for 47560	27-1	AL581	Vent Tray for 47560	49
30776	Cover for Air Outlet for 47560	8	AL576	Drainage Pipe Joint for 47560	27-2	AL582	Evaporator Protect Board for 47560	50
68298	Switch Base for 47560	9	79314	Decoration Nut Gasket for 47560	28-1	AL583	Rear Middle Pillar for 47560	51
61246	Wire Clip Holder for 47560	10-1	79313	Nut Gasket for 47560	28-2	AL584	Rear Base Panel for 47560	52
61245	Wire Clip Cover for 47560	10-2	79312	Nut Decoration for 47560	28-3	AL585	Front Middle Pillar for 47560	53
AA062	Power Cord for 47560	11	30624	Dry Filter for 47560	29	AL586	Evaporator for 47560	54
AL567	Condenser Limiting Plate for 47560	12	AL309	Drain Pipe for 47560	30	AL587	Foam Base of Evaporator for 47560	55
AL568	Fixed Board of PCB Box for 47560	13	AL376	Pipe Clip for 47560	31	AL588	Plastic Base for Pillar for 47560	56
AL569	Water Receiver for 47560	14	AL577	Right Glass for 47560	32	AL589	Front Decorative Board for 47560	57
AL570	Tray of Heater for 47560	15	AL578	Right Panel for 47560	33	AL590	Left Frame for 47560	58
AL571	Condensator for 47560	16	30746	Front Curved Glass for 47560	34	AL591	Right Frame for 47560	59
AL572	Right Condensator Cushion for 47560	17	68336	Fan for 47560	35	AL592	Front Middle Pillar Lining for 47560	60
AL573	Left Condensator Cushion for 47560	18	67313	Bottom Shelf Bracket Left for 47560	36	AL593	Bottom Base of Compressor for 47560	61
AL574	Left Glass for 47560	19	67314	Bottom Shelf Bracket Right for 47560	37	AL594	Front Frame for 47560	62
68332	Temperature Sensor for 47560	20-1	AH724	Fan Blade for 47560	38	AL595	LED Light for 47560	63-1
AA049	Defrost Probe for 47560	20-2	79662	Metal Base of Fan Motor for 47560	39	68356	Driver for 47560	63-2
AH718	High Temperature Sensor for 47560	20-3	AL579	Fan Blade for 47560	40	30742	Accumulator for 47560	64
AA052	Main Circuit Board for 47560	21-1	30751	Pillar for Bracket for 47560	41			
AA082	Digital Controller for 47560	21-2	30798	Right Seal for 47560	42			