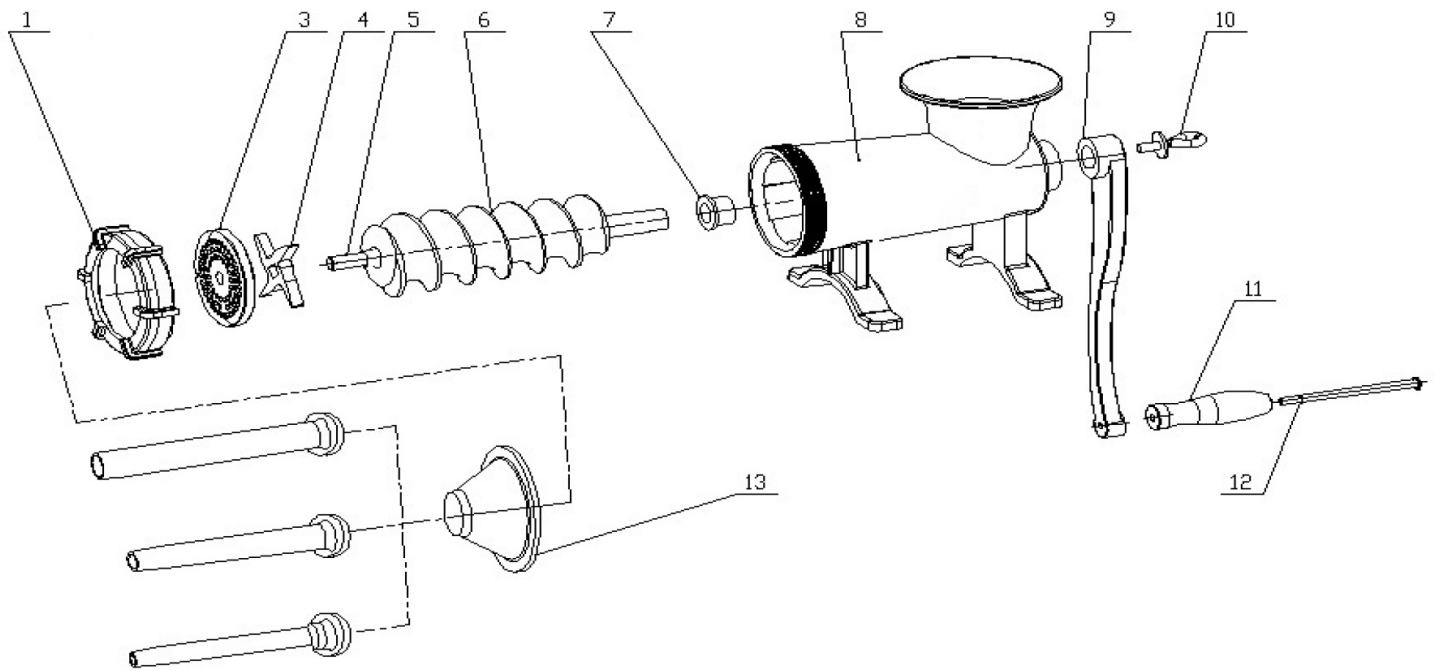


# Parts Breakdown

---

## Item 44419



# Parts Breakdown

---

## Item 44419

Item No.	Description	Position	Item No.	Description	Position	Item No.	Description	Position
AG873	Retaining Ring for 44419	1	AG879	Bushing for 44419	7	AG884	Handle Bolt for 44419	12
AG875	4.5mm Plate for 44419	3	AG880	Body / Head for 44419	8	AG885	Stuffing Tubes for 44419	13
AG876	Knife for 44419	4	AG881	Handle Arm for 44419	9	AG887	Complete Handle Set for 44419	
AG877	Auger Stud for 44419	5	AG882	Handle Screw for 44419	10			
AG878	Worm Gear / Auger for 44419	6	AG883	Handle Cover for 44419	11			