

## 36" Commercial Gas Range with 36" Griddle and Standard Oven – Natural Gas

Item: 48189

Model: CE-CN-0914G-RC



### Omcan 36" Commercial Range is a versatile addition to any professional kitchen.

This natural gas range features a spacious 36" griddle and a robust oven, delivering a total of 93,000 BTU. Ideal for high-demand environments, it ensures efficient cooking and consistent results. The griddle provides ample space for grilling, searing, and sautéing, while the oven is ideal for baking and roasting.

#### FEATURES:

- ✓ Stainless steel front and galvanized sides
- ✓ U shape griddle burner with 21,000 BTU/hour for natural gas (23,000 BTU/hr for liquid propane)
- ✓ Thermostat (250°F- 550°F) controlled oven
- ✓ Welded frame structure for best stability
- ✓ 36 " x 22" griddle plate (5/8" thickness) with splash guard
- ✓ Adjustable heavy duty legs
- ✓ Oil collector with handle
- ✓ U shape oven burner with 30,000 BTU/hour
- ✓ Thermal coupling safety valve for the oven
- ✓ Stainless steel oven door with good insulation
- ✓ Stainless steel handle for bottom oven
- ✓ Kick plate at the bottom, easy access for servicing
- ✓ Compatible with 3/4" NPT gas connection

\* Gas Hose sold separately

Telephone: 1-800-465-0234

Fax: (905) 607-0234

Email: [sales@omcan.com](mailto:sales@omcan.com)

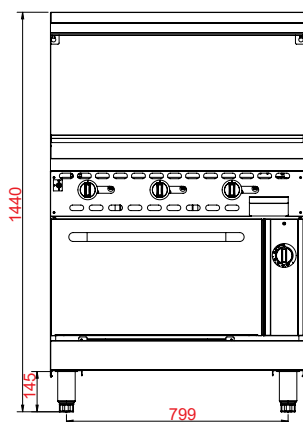
Website: [www.omcan.com](http://www.omcan.com)



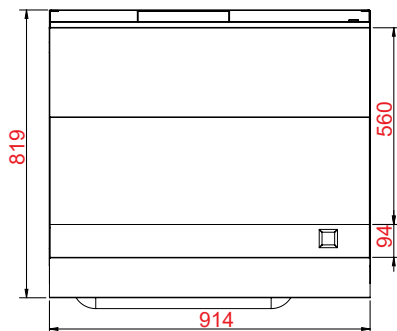
Authorized Dealer



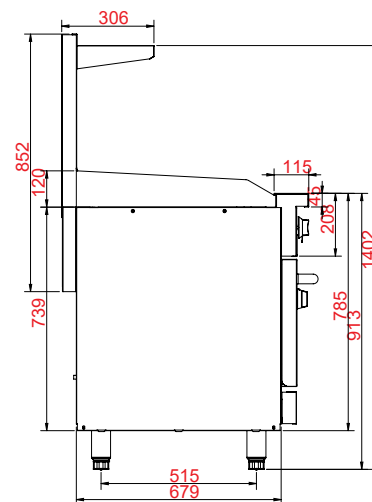
## TECHNICAL DRAWINGS



Front View



Top View



Side View

Dimensions rounded up to the nearest inch or millimeter.  
Specifications subject to change without notice.

## TECHNICAL SPECIFICATION

Item	48189
Model	CE-CN-0914G-RC
Gas Type	Natural
Griddle Dimensions (Griddle Plate)	36" x 22" (5/8" thickness) (914 x 559 mm) (15.9 mm)
BTU	Total: 93,000 Griddle: 21,000 each x 3 Oven: 30,000
Oven Dimensions	26.5" x 25.8" x 13.9" (673 x 655 x 353 mm)
Temperature Range	121 - 288°C (250 - 550°F)
Net Dimensions	36" x 32.6" x 56.7" (914 x 828 x 1440 mm)
Net Weight	456 lbs. (207 kg)
Gross Dimensions	40.9" x 40.5" x 35" (1040 x 1030 x 890 mm)
Gross Weight	518 lbs. (235 kg)

\*\* Optional-to-buy Commercial Gas Hoses:

- 47775 (36" length)
- 47871 (48" length)
- 47872 (60" length)
- 47873 (72" length)