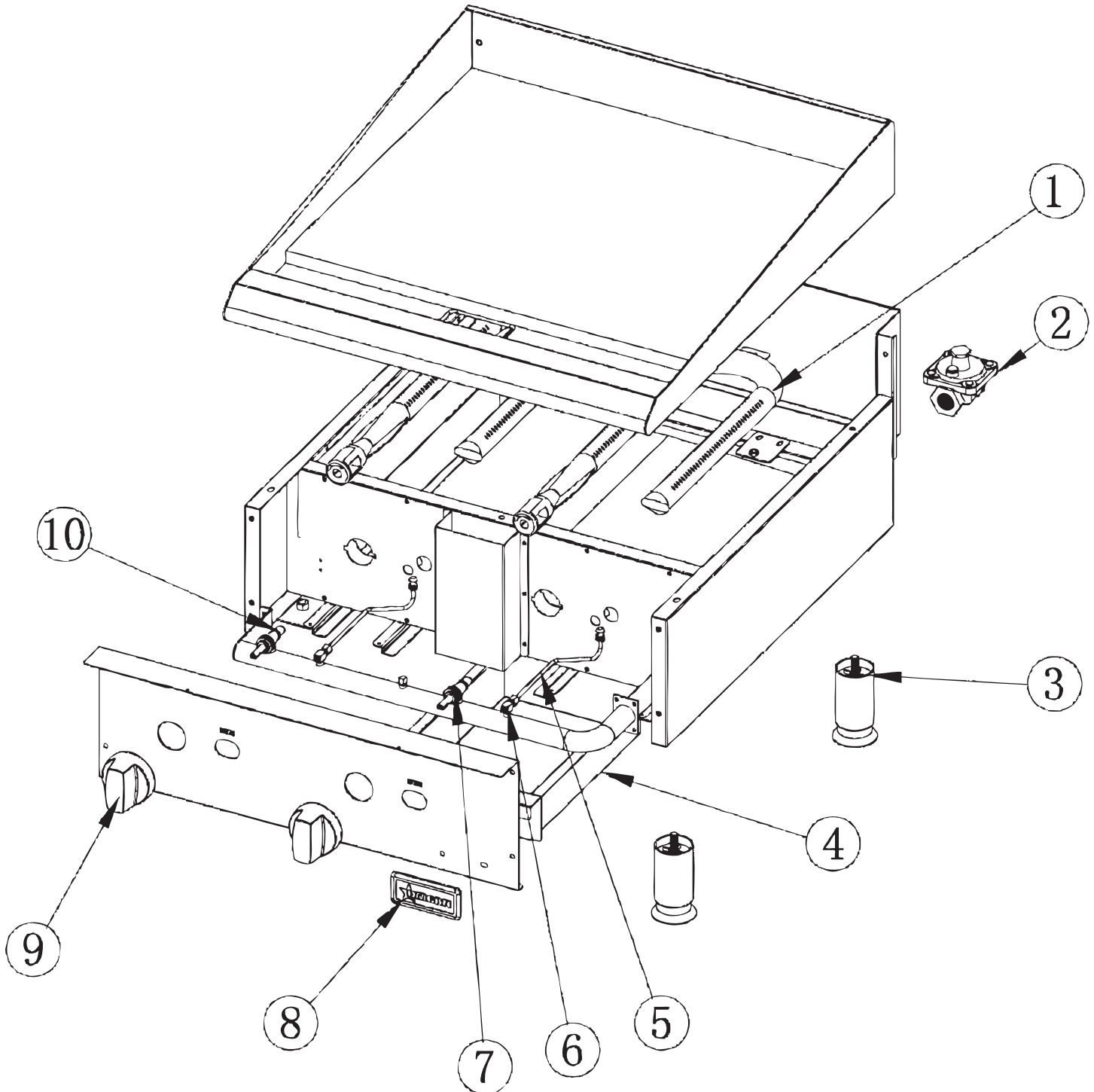


# Parts Breakdown

Model CE-CN-G24M 43730





# Parts Breakdown

---

## Model CE-CN-G24M 43730

Item No.	Description	Position	Item No.	Description	Position	Item No.	Description	Position
73092	Burner for 43730	1	73088	Pilot Pipe for 43730	5	43489	Red Dial for Manual Control for 43730	9
72407	Regulator for 43730	2	73089	Pilot Valve for 43730	6	72416	Orifice 41 # NAT for 43730	10
72410	Foot for 43730	3	73090	Valve for 43730	7	42969	Conversion Kit for 43730	11
72412	Tray for 43730	4	43313	Name Badge for Omcan for 43730	8			