



Refrigerated Showcases
Models RS-CN-0120-4, 0160-4, 0202-4
Items 44629, 44630, 44631
Instruction Manual



Revised - 01/05/2021



Toll Free: 1-800-465-0234
Fax: 905-607-0234
Email: service@omcan.com
www.omcan.com

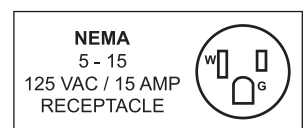


Table of Contents

Model RS-CN-0120-4 / Model RS-CN-0160-4 / Model RS-CN-0202-4

Section	Page
Disclaimer -----	3
General Information -----	4 - 5
Safety and Warranty -----	5 - 7
Technical Specifications -----	8
Operation -----	8 - 10
Maintenance -----	10
Troubleshooting -----	11
Parts Breakdown -----	12 - 17
Electrical Schematics -----	18
Warranty Registration -----	19

Disclaimer

OMCAN IS NOT RESPONSIBLE FOR ANY DAMAGES DUE TO WATER LEAKS. WARRANTY FOR WATER LEAKS IS VOID IF THE AMBIENT ROOM TEMPERATURE EXCEEDS 75°F AND 55% RELATIVE HUMIDITY, AND THE APPLIANCE DRAIN IS NOT CONNECTED DIRECTLY TO A FLOOR DRAIN.

General Information

Omcan Manufacturing and Distributing Company Inc., Food Machinery of America, Inc. dba Omcan and Omcan Inc. are not responsible for any harm or injury caused due to any person's improper or negligent use of this equipment. The product shall only be operated by someone over the age of 18, of sound mind, and not under the influence of any drugs or alcohol, who has been trained in the correct operation of this machine, and is wearing authorized, proper safety clothing. Any modification to the machine voids any warranty, and may cause harm to individuals using the machine or in the vicinity of the machine while in operation.

CHECK PACKAGE UPON ARRIVAL

Upon receipt of an Omcan shipment please inspect for external damage. If no damage is evident on the external packaging, open carton to ensure all ordered items are within the box, and there is no concealed damage to the machine. If the package has suffered rough handling, bumps or damage (visible or concealed), please note it on the bill of lading before accepting the delivery and contact Omcan within 24 hours, so we may initiate a claim with the carrier. A detailed report on the extent of the damage caused to the machine must be filled out within three days, from the delivery date shown in the shipping documents. Omcan has no recourse for damaged products that were shipped collect or third party.

Before operating any equipment, always read and familiarize yourself with all operation and safety instructions.

Omcan would like to thank you for purchasing this machine. It's of the utmost importance to save these instructions for future reference. Also save the original box and packaging for shipping the equipment if servicing or returning of the machine is required.

Omcan Fabrication et distribution Compagnie Limitée et Food Machinery d'Amérique, dba Omcan et Omcan Inc. ne sont pas responsables de tout dommage ou blessure causé du fait que toute personne ait utilisé cet équipement de façon irrégulière. Le produit ne doit être exploité que par quelqu'un de plus de 18 ans, sain d'esprit, et pas sous l'influence d'une drogue ou d'alcool, qui a été formé pour utiliser cette machine correctement, et est vêtu de vêtements de sécurité appropriés. Toute modification de la machine annule toute garantie, et peut causer un préjudice à des personnes utilisant la machine ou des personnes à proximité de la machine pendant son fonctionnement.

VÉRIFIEZ LE COLIS DÈS RÉCEPTION

Dès réception d'une expédition d'Omcan veuillez inspecter pour dommages externes. Si aucun dommage n'est visible sur l'emballage externe, ouvrez le carton afin de s'assurer que tous les éléments commandés sont dans la boîte, et il n'y a aucun dommage dissimulé à la machine. Si le colis n'a subi aucune mauvaises manipulations, de bosses ou de dommages (visible ou cachée), notez-le sur le bond de livraison avant d'accepter la livraison et contactez Omcan dans les 24 heures qui suivent, pour que nous puissions engager une réclamation auprès du transporteur. Un rapport détaillé sur l'étendue des dommages causés à la machine doit être rempli dans un délai de trois jours, à compter de la date de livraison indiquée dans les documents d'expédition. Omcan n'a aucun droit de recours pour les produits endommagés qui ont été expédiés ou cueilli par un tiers transporteur.



General Information

Avant d'utiliser n'importe quel équipement, toujours lire et vous familiariser avec toutes les opérations et les consignes de sécurité.

Omcan voudrais vous remercier d'avoir choisi cette machine. Il est primordial de conserver ces instructions pour une référence ultérieure. Également conservez la boîte originale et l'emballage pour l'expédition de l'équipement si l'entretien ou le retour de la machine est nécessaire.

Omcan Empresa De Fabricacion Y Distribucion Inc. Y Maquinaria De Alimentos De America, Inc. dba Omcan y Omcan Inc. no son responsables de ningun daño o perjuicio causado por cualquier persona inadecuada o el uso descuidado de este equipo. El producto solo podra ser operado por una persona mayor de 18 años, en su sano juicio y no bajo alguna influencia de droga o alcohol, y que este ha sido entrenado en el correcto funcionamiento de esta máquina, y ésta usando ropa apropiada y autorizada. Cualquier modificación a la máquina anula la garantía y puede causar daños a las personas usando la máquina mientras esta en el funcionamiento.

REVISE EL PAQUETE A SU LLEGADA

Tras la recepcion de un envio Omcan favor inspeccionar daños externos. Si no hay daños evidentes en el empaque exterior, Habra el carton para asegurarse que todos los articulos solicitados estén dentro de la caja y no encuentre daños ocultos en la máquina. Si el paquete ha sufrido un manejo de poco cuidado, golpes o daños (visible o oculto) por favor anote en la factura antes de aceptar la entrega y contacte Omcan dentro de las 24 horas, de modo que podamos iniciar una reclamación con la compañía. Un informe detallado sobre los daños causados a la máquina debe ser llenado en el plazo de tres días, desde la fecha de entrega que se muestra en los documentos de envío. Omcan no tiene ningun recurso por productos dañados que se enviaron a recoger por terceros.

Antes de utilizar cualquier equipo, siempre lea y familiarizarse con todas las instrucciones de funcionamiento y seguridad.

Omcan le gustaría darle las gracias por la compra de esta máquina. Es de la mayor importancia para salvar estas instrucciones para futuras consultas. Además, guarda la caja original y el embalaje para el envío del equipo si servicio técnico o devolución de la máquina que se requiere.

Safety and Warranty

Handle with care	Dry place
Unplug the wall socket first. Never tilt it over 45 degrees when handling.	Always place the refrigerator in a dry location.

Safety and Warranty

<p>Sufficient space The distance from both sides and back of refrigerator to wall or other substance must be no less than 10 cm (4"). The refrigeration capability may decrease if its surrounding space is too small to circulate air.</p>	<p>Well ventilated Always place the refrigerator in an area with proper ventilation. When using for the first time, wait at least 24 hours after handling to start.</p>
<p>Far from heat source Never place the refrigerator in direct sunlight. Never place refrigerator near heat source as it reduces refrigeration capabilities.</p>	<p>Heavy load Never put any heavy objects on top of the refrigerator.</p>
<p>Do not make holes Never make any holes on the refrigerator. Do not attach any objects onto the refrigerator.</p>	<p>Stable Location Unpack and place the refrigerator on level and stable ground.</p>
<p>Exclusive power socket Normally, the power supply should be 100 – 120V, 60 Hz single phase AC with exclusive single phase receptacle.</p>	<p>Do not share the socket Never let the refrigerator share a socket with another appliance. The cable may become hot and this may cause a fire.</p> <p>DO NOT USE EXTENSION CORDS.</p>
<p>Protect cables Never break or damage the cables as this may cause current leakage resulting in a fire.</p>	<p>No water flushing Never spray down refrigerator with pressurized water supply.</p>
<p>Avoid flammable and explosive objects Never put any flammable or explosive items inside the refrigerator such as gasoline or alcohol. Never put any dangerous products in close proximity to the refrigerator.</p>	<p>No spray Do not spray the unit with a flammable substance such as paint. This may result in a fire.</p>
<p>After power break After a power break or unplugging the refrigerator, always wait at least 5 minutes before starting the refrigerator again.</p>	<p>Medical Storage No medicine is allowed to be kept inside the refrigerator.</p>

NOTE

- The electric circuit diagram and parameters on the product name plate are subject to change without the manufacturer having to change the manual.
- The design might be improved without notice.
- If the power cord is damaged, it must be replaced by the manufacturer, its service agent or a qualified electrician in order to avoid injury.

WARNING: The unit uses R290 refrigerant. Make sure that all precautions against fire have been taken.



Safety and Warranty

1 YEAR PARTS AND LABOUR WARRANTY

Within the warranty period, contact Omcan Inc. at 1-800-465-0234 to schedule an Omcan authorized service technician to repair the equipment locally.

Unauthorized maintenance will void the warranty. Warranty covers electrical and part failures, not improper use.

Please see <https://omcan.com/disclaimer> for complete info.

WARNING:

The packaging components are classified as normal solid urban waste and can therefore be disposed of without difficulty.

In any case, for suitable recycling, we suggest disposing of the products separately (differentiated waste) according to the current norms.

DO NOT DISCARD ANY PACKAGING MATERIALS IN THE ENVIRONMENT!

Technical Specifications

Model	RS-CN-0120-4	RS-CN-0160-4	RS-CN-0202-4
Capacity	120 L / 4.24 cu. ft.	160 L / 5.65 cu. ft.	202 L / 7.13 cu. ft.
Input Power	230 W	330 W	340 W
Refrigerant	R290		
Temperature Range	0 - 12°C / 32 - 53.5°F		
Max Ambient Temp Rating	32°C / 90°F		
Electrical	110V / 60Hz / 1		
Shelf Dimensions	25" x 13" 636 x 335mm	32" x 13" 813 x 335mm	45.5" x 13.2" 1156 x 335mm
	25" x 14.4" 636 x 367mm	32" x 13" 813 x 367mm	45.4" x 14.4" 1153 x 366mm
Shelf Load Capacity	33 lbs. / 15 kgs.		
Dimensions	27.4" x 22" x 27" 696 x 570 x 686mm	34" x 22" x 27" 874 x 570 x 686mm	48" x 22.4" x 27" 1219 x 568 x 686mm
Packaging Dimensions	30" x 25" x 30" 880 x 560 x 686mm	35" x 22" x 27" 880 x 560 x 686mm	50.8" x 24.7" x 28.9" 366 x 627 x 734mm
Weight	126 lbs. / 57 kgs.	145.5 lbs. / 66 kgs.	195.1 lbs. / 88.5 kgs.
Packaging Weight	132 lbs. / 60 kgs.	153 lbs. / 69.5 kgs.	203.9 lbs. / 92.5 kgs.
Item Number	44629	44630	44631

Operation

BEFORE USE

Ensure the unit is upright and positioned in its location for 12 hours prior to use.

Plug the refrigerator in a 110V~ socket exclusively for the unit. After the refrigerator is running, test the air suction to confirm it is sufficiently cold. Then you may put food inside the unit. Make sure the food product is already cooled before placing it in the display case. The unit should not be used to cool food products.

DIGITAL TEMPERATURE CONTROLLER

The digital temperature controller is easy to operate and controls the compressor.

- The main functions are: Temperature display, temperature control, manual control, automatic defrost, light control, value storing, self-testing and parameter locking.

Digital Controller Operation:

1. Set Temperature:
Press **SET** and the set temperature is displayed.
Press **▲** or **▼** button to modify and store the displayed value.
Press **SET** to exit the adjustment and display the cold-room temperature.
2. If no buttons are pressed within 10 seconds, the cold-room temperature will be displayed.
3. Illumination:
Press the light button, it lights. Press the light button again, the light turns off.
4. Manual start/stop defrost:
Press the light button and hold for 6 seconds to defrost or stop defrost.
5. Refrigerant LED:
During refrigeration, the LED is on. When the cold-room temperature is consistent, the LED is off. During the delay start, the LED flashes.
6. Defrost LED:
During defrosting, the LED is on. When it stops defrosting, the LED is off. During the delay display of defrost, the LED flashes.
7. Digital Controller Reset:
When the display shows “disorder”, press **▼** button for 2 seconds until buzzer rings, quickly press **▲** button for 6 seconds until the buzzer rings again. The display will flash for 3 seconds and it will be restored to the factory setting.

CAUTION

- Reducing the frequency of opening the refrigerator door will keep more cold air inside the refrigerator.
- Do not block air suction or outlet. Air must continue circulating to increase refrigeration capability.
- Do not over fill or over stock the refrigerator, as it will influence the cooling effect. Adjust the rack height for proper food storage.
- Cool hot food down to room temperature before storing it in the refrigerator.
- Try to reduce open times and keep refrigerator cold and closed, if power is ever off. Only allow a skilled service individual with proper tools to repair damaged power cables. Never touch compressor, as it can result in injury.
- If supply cord is damaged, it must be replaced by the manufacturer, its service agent, or similarly qualified persons in order to avoid a hazard.
- This appliance is not intended for use by persons (including children) with reduced physical, sensory or mental capabilities, or lack of experience and knowledge, unless they have been given supervision or instruction concerning use of the appliance by a person responsible for their safety.
- Children should be supervised to ensure that they do not play with the appliance.

WARNING: Keep ventilation openings, in the appliance enclosure or in the built-in structure, clear of obstruction.

WARNING: Do not use mechanical devices of other means to accelerate the defrosting process, other than those recommended by the manufacturer.

WARNING: Do not damage the refrigerant circuit.

WARNING: Do not use electrical appliances inside the food storage compartments of the appliance, unless they are of the type recommended by the manufacturer.

Operation



CAUTION: Risk of fire. The height of the triangle in the symbol should be at least 15mm.

Maintenance

Keep the refrigerator clean and perform periodical maintenance as necessary. Always unplug the socket before maintenance. Never use a damaged plug or loose socket in order to prevent from electric shock or short circuit. Never flush the refrigerator. Never use alkali detergent, soap, gasoline, acetone or brush.

1. Clean outside:
Dip soft cloth in neutral detergent (tableware detergent) to clean the outside of the refrigerator and then wipe it with dry soft cloth.
2. Clean inside:
Take rack out for cleaning with water. Use soft cloth to wipe the box.
3. Shut down refrigerator for a long time:
Take all food out and unplug the wall socket. Clean both inside and outside of the refrigerator thoroughly and open the door for sufficient dry. The glass breaks easily. Keep the glass far from children.
4. Replacement of lamp in the light box:
If the LED lamp is damaged, it must be replaced by the manufacturer, or its service agent.

Troubleshooting

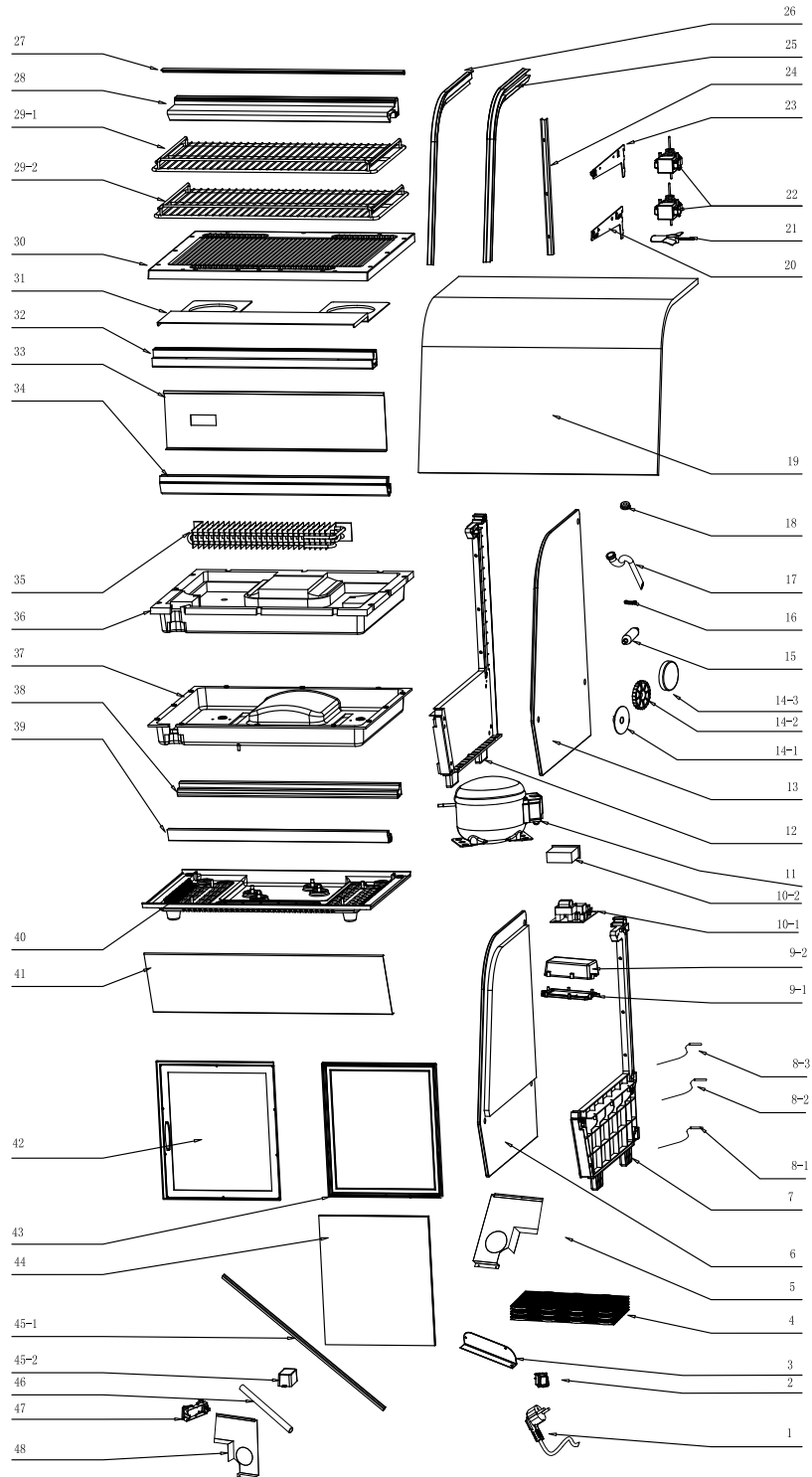
Trouble	Cause and Remedy
No refrigeration	Is the plug in the socket well?
	Is the fuse broken?
	Is there no power?
Unsatisfactory refrigeration	Is it under the sunlight? Is there any heat source nearby?
	Is the surrounding ventilation bad?
	Does the door close well? Has the door been open for a long time?
	Is the door seal strip deformed or damaged?
	Is food congested or too much?
	Does food block the air suction outlet?
	Regulate the temperature controller.
Too much noise	The refrigerator is not level.
	The refrigerator touches the wall or other objects.
	There is a loose part in the refrigerator.
Contact Omcan at 1-800-465-0234 for help if simple troubleshooting does not solve the problems.	

The following situations are not problems:

1. The murmur of water is heard when the refrigerator is working. This is normal as the coolant is circulating in the system.
2. During wet season, condensation may be found on the outside of the refrigerator. This is not a problem, this is caused by high humidity. Simply use a cloth to wipe it.

Parts Breakdown

Model RS-CN-0120-4 44629



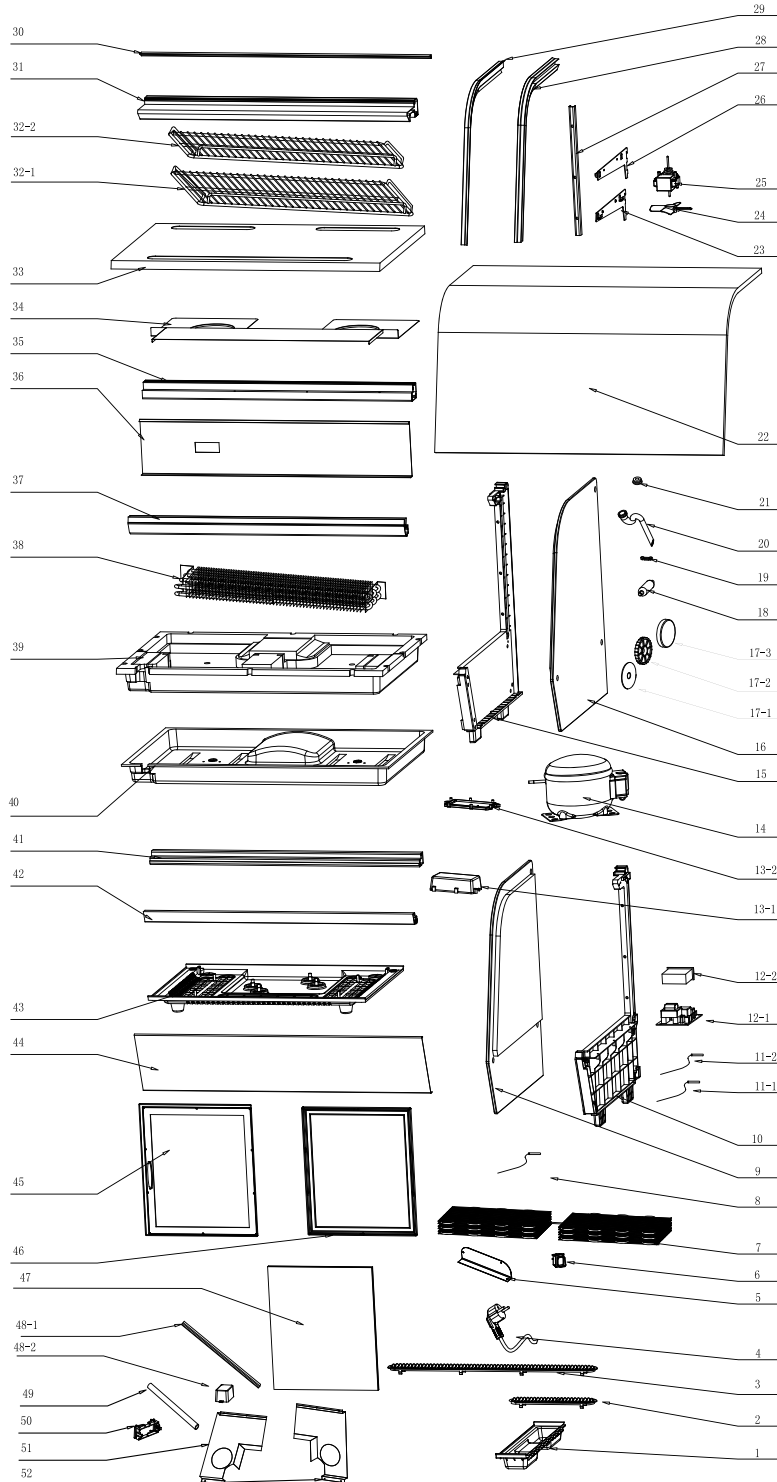
Parts Breakdown

Model RS-CN-0120-4 44629

Item No.	Description	Position	Item No.	Description	Position	Item No.	Description	Position
AA045	Power Cord for 44629	1	79312	Nut Decoration for 44629	14-3	30760	Rear Middle Pillar for 44629	32
71514	Switch for 44629	2	30624	Dry Filter for 44629	15	AA056	Rear Base Panel for 44629	33
68510	Fixed Board of PCB Box for 44629	3	30617	Wire Board for 44629	16	30762	Front Middle Pillar for 44629	34
AA046	Condenser for 44629	4	30744	Water Pipe for 44629	17	30763	Evaporator for 44629	35
AA047	Left Condensator Cushion for 44629	5	30613	Motor Fixed Ring for 44629	18	AA057	Foam Base of Evaporator for 44629	36
AA048	Left Glass for 44629	6	30746	Front Curved Glass for 44629	19	30765	Plastic Base for Foam for 44629	37
30736	Left Panel for 44629	7	67313	Bottom Shelf Bracket Left for 44629	20	30766	Rear Bottom Pillar for 44629	38
68332	Temperature Sensor for 44629	8-1	30793	Fan Blade for 44629	21	30767	Front Bottom Pillar for 44629	39
AA049	Defrost Probe for 44629	8-2	AA055	Motor Fan for 44629	22	AA058	Bottom Base of Compressor for 44629	40
60581	High Temperature Probe for 44629	8-3	67314	Bottom Shelf Bracket Right for 44629	23	AA059	Front Frame for 44629	41
AA050	Control Box for 44629	9-1	30751	Pillar for Bracket for 44629	24	30771	Inner Door Frame for 44629	42
AA051	Control Box Cover for 44629	9-2	30798	Right Seal for 44629	25	30770	Outer Door Frame for 44629	43
AA052	Main Circuit Board for 44629	10-1	30797	Left Seal for 44629	26	30772	Door Glass for 44629	44
AA053	Digital Controller for 44629	10-2	30754	Decorative Board for 44629	27	AA060	LED Light for 44629	45-1
60534	Compressor for 44629	11	30755	Top Panel for 44629	28	68356	Driver for 44629	45-2
30739	Right Panel for 44629	12	30756	Shelf 1 for 44629	29-1	30742	Accumulator for 44629	46
AA054	Right Glass for 44629	13	30757	Shelf 2 for 44629	29-2	60125	Digital Controller Holder for 44629	47
79314	Decoration Nut Gasket for 44629	14-1	30758	Vent Tray for 44629	30	AA061	Right Condenser Cushion for 44629	48
79313	Nut Gasket for 44629	14-2	30759	Evaporator Protect Board for 44629	31			

Parts Breakdown

Model RS-CN-0160-4 44630



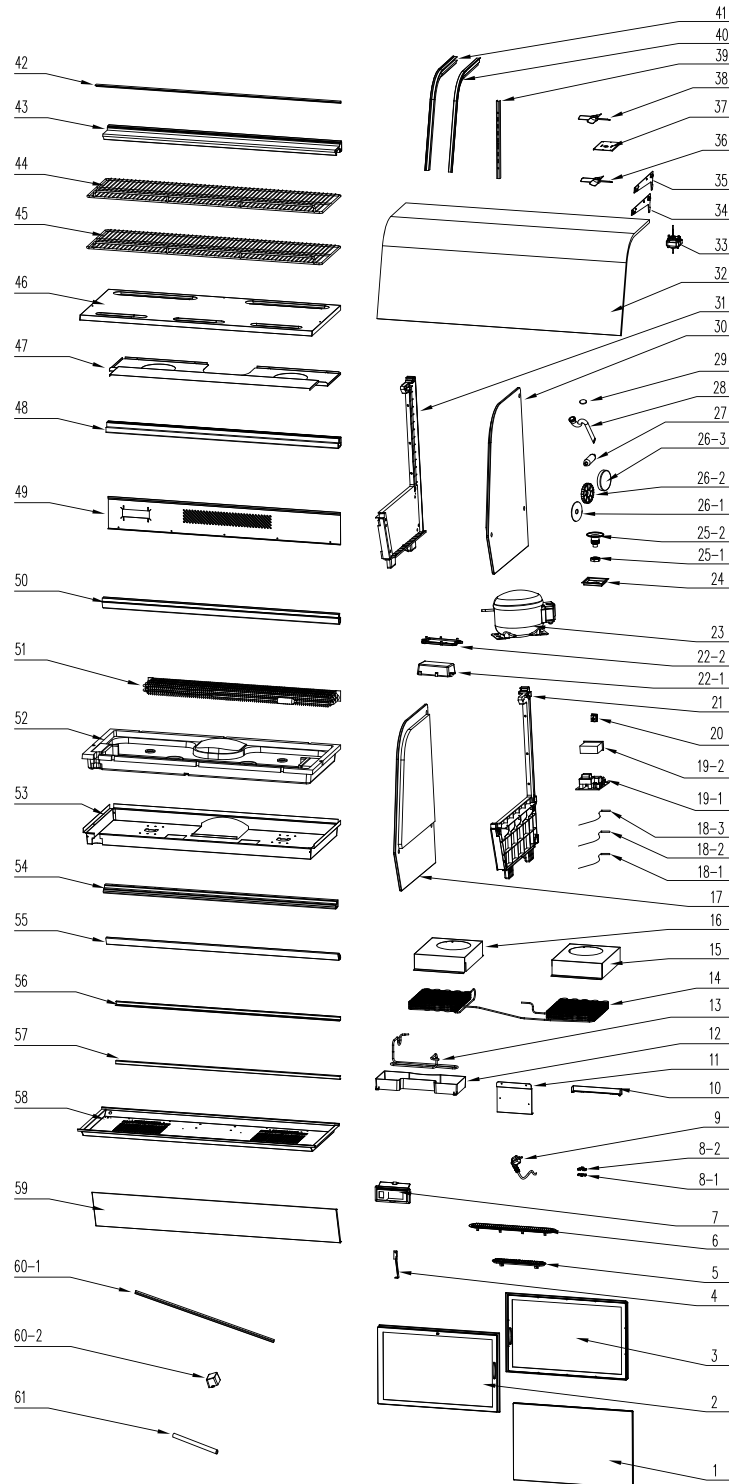
Parts Breakdown

Model RS-CN-0160-4 44630

Item No.	Description	Position	Item No.	Description	Position	Item No.	Description	Position
30775	Water Tray for 44630	1	79313	Nut Gasket for 44630	17-2	30805	Rear Middle Pillar for 44630	35
30776	Cover for Air Outlet for 44630	2	79312	Nut Decoration for 44630	17-3	AA064	Rear Base Panel for 44630	36
30777	Cover for Air Suction for 44630	3	30624	Dry Filter for 44630	18	30807	Front Middle Pillar for 44630	37
AA062	Power Cord for 44630	4	30617	Wire Board for 44630	19	30808	Evaporator for 44630	38
68510	Fixed Board of PCB Box for 44630	5	30744	Water Pipe for 44630	20	30809	Foam Base of Evaporator for 44630	39
71514	Switch for 44630	6	30613	Motor Fixed Ring for 44630	21	30810	Plastic Base for Pillar for 44630	40
AA063	Condensator for 44630	7	30791	Front Curved Glass for 44630	22	68517	Rear Bottom Pillar for 44630	41
60581	High Temperature Probe for 44630	8	67313	Bottom Shelf Bracket Left for 44630	23	68516	Front Bottom Pillar for 44630	42
AA048	Left Glass for 44630	9	30793	Fan Blade for 44630	24	AA058	Bottom Base of Compressor for 44630	43
30736	Left Panel for 44630	10	AA055	Motor Fan for 44630	25	AA065	Front Frame for 44630	44
68332	Temperature Sensor for 44630	11-1	67314	Bottom Shelf Bracket Right for 44630	26	30816	Inner Door Frame for 44630	45
60666	Temperature Probe for 44630	11-2	30751	Pillar for Bracket for 44630	27	30815	Outer Door Frame for 44630	46
AA052	Main Circuit Board for 44630	12-1	30797	Left Seal for 44630	28	30817	Door Glass for 44630	47
AA053	Digital Controller for 44630	12-2	30798	Right Seal for 44630	29	AA066	LED Light for 44630	48-1
AA050	Control Box for 44630	13-1	30799	Decorative Board for 44630	30	68356	Driver for 44630	48-2
AA051	Control Box Cover for 44630	13-2	30800	Top Panel for 44630	31	30742	Accumulator for 44630	49
60534	Compressor for 44630	14	71684	Chrome Shelf 2 for 44630	32-1	60125	Digital Controller Holder for 44630	50
30739	Right Panel for 44630	15	71683	Chrome Shelf 1 for 44630	32-2	AA067	Left Condensator Cushion for 44630	51
AA054	Right Glass for 44630	16	30803	Vent Tray for 44630	33	AA061	Right Condenser Cushion for 44630	52
79314	Decoration Nut Gasket for 44630	17-1	68524	Evaporator Protect Board for 44630	34			

Parts Breakdown

Model RS-CN-0202-4 44631



Parts Breakdown

Model RS-CN-0202-4 44631

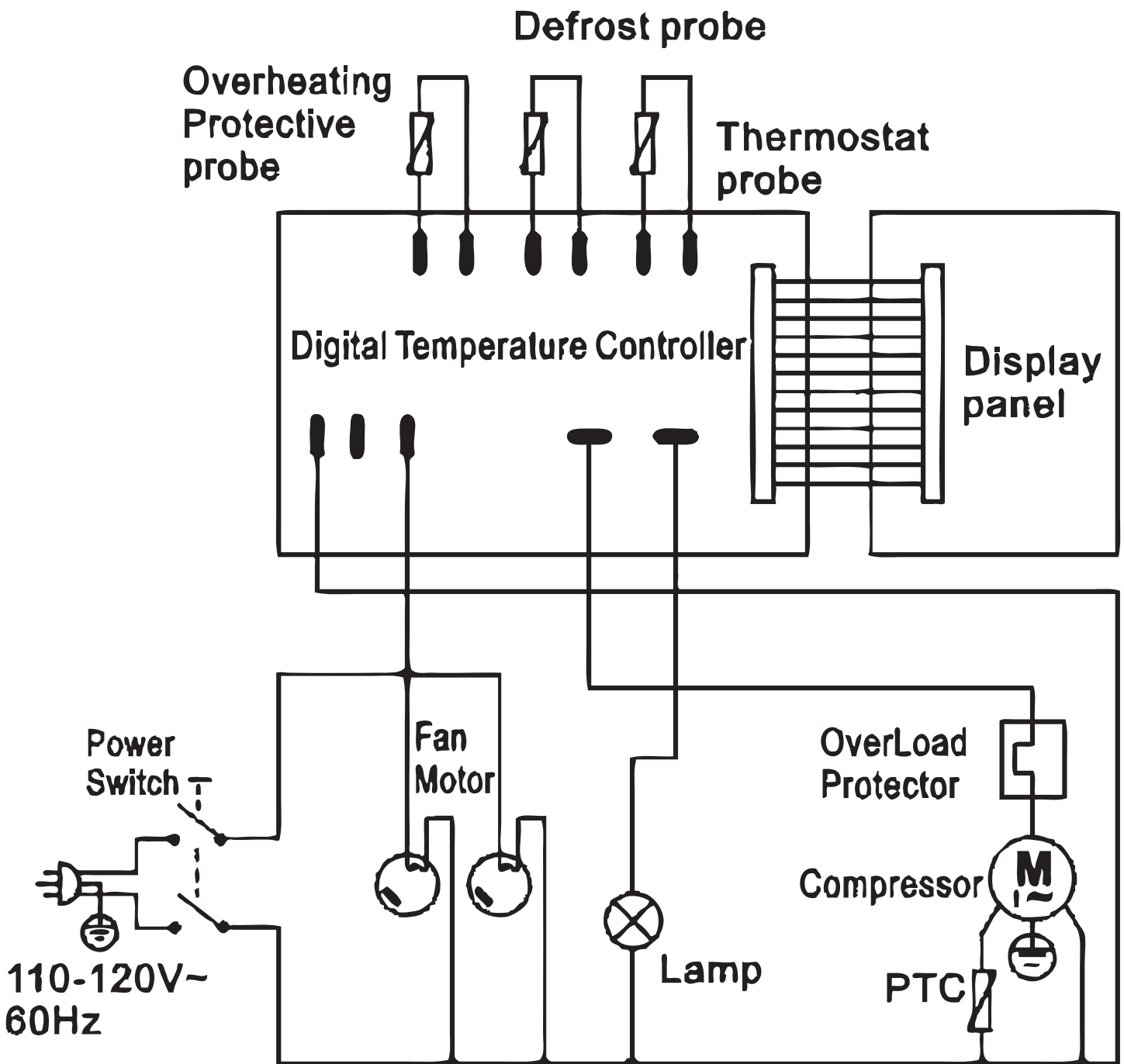
Item No.	Description	Position	Item No.	Description	Position	Item No.	Description	Position
AA068	Door Glass for 44631	1	30736	Left Panel for 44631	21	30797	Left Seal for 44631	41
AA069	Inner Door Frame for 44631	2	AA050	Control Box for 44631	22-1	AA089	Decorative Board for 44631	42
AA070	Outer Door Frame for 44631	3	AA051	Control Box Cover for 44631	22-2	AA090	Top Panel for 44631	43
AA071	Front Middle Support for 44631	4	60534	Compressor for 44631	23	AA091	Shelf 1 for 44631	44
30776	Cover for Air Outlet for 44631	5	AA083	Backing Plate for 44631	24	AA092	Shelf 2 for 44631	45
AA072	Cover for Air Suction for 44631	6	71518	Nut for 44631	25-1	AA093	Vent Tray for 44631	46
68298	Switch Base for 44631	7	AA084	Drainage Pipe Joint for 44631	25-2	AA094	Evaporator Protect Board for 44631	47
61246	Wire Clip Holder for 44631	8-1	79314	Decoration Nut Gasket for 44631	26-1	AA095	Rear Middle Pillar for 44631	48
61245	Wire Clip Cover for 44631	8-2	79313	Nut Gasket for 44631	26-2	AA096	Rear Base Panel for 44631	49
AA062	Power Cord for 44631	9	79312	Nut Decoration for 44631	26-3	AA097	Front Middle Pillar for 44631	50
AA073	Condenser Limiting Plate for 44631	10	30624	Dry Filter for 44631	27	AA098	Evaporator for 44631	51
AA074	Fixed Board of PCB Box for 44631	11	30744	Water Pipe for 44631	28	AA099	Foam Base of Evaporator for 44631	52
60948	Water Receiver for 44631	12	68368	Snap Ring for 44631	29	AA100	Plastic Base for Pillar for 44631	53
AA075	Tray of Heater for 44631	13	AA054	Right Glass for 44631	30	AA101	Rear Bottom Pillar for 44631	54
AA076	Condensator for 44631	14	30739	Right Panel for 44631	31	AA102	Front Bottom Pillar for 44631	55
AA077	Right Condensator Cushion for 44631	15	AA085	Curved Front Glass for 44631	32	AA103	Rear Bottom Pillar Lining for 44631	56
AA078	Left Condensator Cushion for 44631	16	AA086	Motor Fan for 44631	33	AA104	Front Bottom Pillar Lining for 44631	57
AA048	Left Glass for 44631	17	67313	Bottom Shelf Bracket Left for 44631	34	AA105	Bottom Base of Compressor for 44631	58
AA079	Temperature Probe for 44631	18-1	67314	Bottom Shelf Bracket Right for 44631	35	AA106	Front Frame for 44631	59
AA080	Defrost Probe for 44631	18-2	AA087	Fan Blade for 44631	36	AA107	LED Light for 44631	60-1
AA081	Overheating Probe for 44631	18-3	79662	Metal Base of Fan Motor for 44631	37	68356	Driver for 44631	60-2
AA052	Main Circuit Board for 44631	19-1	AA088	Fan Blade for 44631	38	30742	Accumulator for 44631	61
AA082	Digital Controller for 44631	19-2	30751	Pillar for Bracket for 44631	39			
71514	Switch for 44631	20	30798	Right Seal for 44631	40			

Electrical Schematics

Model RS-CN-0120-4 44629

Model RS-CN-0160-4 44630

Model RS-CN-0202-4 44631





Warranty Registration

Thank you for purchasing an Omcan product. To register your warranty for this product, complete the information below, tear off the card at the perforation and then send to the address specified below. You can also register online by visiting:

Merci d'avoir acheté un produit Omcan. Pour enregistrer votre garantie pour ce produit, complétez les informations ci-dessous, détachez la carte au niveau de la perforation, puis l'envoyer à l'adresse spécifiée ci-dessous. Vous pouvez également vous inscrire en ligne en visitant:

Gracias por comprar un producto Omcan usted. Para registrar su garantía para este producto, complete la información a continuación, cortar la tarjeta en la perforación y luego enviarlo a la dirección indicada a continuación. También puede registrarse en línea en:

<https://omcan.com/warranty-registration/>

For mailing in Canada

Pour postale au Canada

Por correo en Canadá

OMCAN

PRODUCT WARRANTY REGISTRATION

3115 Pepper Mill Court,

Mississauga, Ontario

Canada, L5L 4X5

For mailing in the US

Pour diffusion aux États-Unis

Por correo en los EE.UU.

OMCAN

PRODUCT WARRANTY REGISTRATION

4450 Witmer Industrial Estates, Unit 4,

Niagara Falls, New York

USA, 14305

or email to: service@omcan.com



Purchaser's Information

Name: _____

Address: _____

City: _____ Province or State: _____ Postal or Zip: _____

Country: _____

Dealer from which Purchased: _____

Dealer City: _____ Dealer Province or State: _____

Invoice: _____

Model Name: _____ Model Number: _____

Machine Description: _____

Date of Purchase (MM/DD/YYYY): _____

Would you like to extend the warranty? Yes No

Company Name: _____

Telephone: _____

Email Address: _____

Type of Company:

Restaurant Bakery Deli

Butcher Supermarket Caterer

Institution (*specify*): _____

Other (*specify*): _____

Serial Number: _____

Date of Installation (MM/DD/YYYY): _____

Thank you for choosing Omcan | Merci d'avoir choisi Omcan | Gracias por elegir Omcan



Since 1951 Omcan has grown to become a leading distributor of equipment and supplies to the North American food service industry. Our success over these many years can be attributed to our commitment to strengthen and develop new and existing relationships with our valued customers and manufacturers. Today with partners in North America, Europe, Asia and South America, we continually work to improve and grow the company. We strive to offer customers exceptional value through our qualified local sales and service representatives who provide convenient access to over 5,000 globally sourced products.

Depuis 1951 Omcan a grandi pour devenir un des “leaders” de la distribution des équipements et matériel pour l’industrie des services alimentaires en Amérique du Nord. Notre succès au cours de ces nombreuses années peut être attribué à notre engagement à renforcer et à développer de nouvelles et existantes relations avec nos clients et les fabricants de valeur. Aujourd’hui avec des partenaires en Amérique du Nord, Europe, Asie et Amérique du Sud, nous travaillons continuellement à améliorer et développer l’entreprise. Nous nous efforçons d’offrir à nos clients une valeur exceptionnelle grâce à nos ventes locales qualifiées et des représentants de service qui offrent un accès facile à plus de 5000 produits provenant du monde entier.

Desde 1951 Omcan ha crecido hasta convertirse en un líder en la distribución de equipos y suministros de alimentos en América del Norte industria de servicios. Nuestro éxito en estos años se puede atribuir a nuestro compromiso de fortalecer y desarrollar nuevas relaciones existentes con nuestros valiosos clientes y fabricantes. Hoy con socios de América del Norte, Europa, Asia y América del Sur, que trabajan continuamente para mejorar y crecer la empresa. Nos esforzamos por ofrecer a nuestros clientes valor excepcional a través de nuestro local de ventas y representantes de los servicios que proporcionan un fácil acceso a más de 5,000 productos con origen a nivel mundial.

