



SERVING THE FOOD INDUSTRY SINCE 1951

## Mega Refrigerated Sandwich/ Salad Prep Table

50049 PT-CN-0711-HC	50129 PT-CN-0920-M-HC	50050 PT-CN-1194-H	50051 PT-CN-1537-HC	50130 PT-CN-1787-M-HC
------------------------	--------------------------	-----------------------	------------------------	--------------------------



### Enhance your food business setup with ultimate Refrigerated Mega Prep Tables.

These tables designed to efficiently organize and cool ingredients for a variety of culinary needs, from sandwiches to salads and beyond.



### KEY FEATURES

#### Ample Space

This refrigerated prep table boasts a spacious working area, allowing for extra ingredient storage.

#### Energy efficiency

The isolation system is built using Cyclopentane, which helps to maintain the temperature within the food storage while reducing energy consumption.

#### Durability

High-quality stainless steel construction provides durability and longevity, and guarantees maximum hygiene and food-grade standards.

#### Convenience

Thick commercial-grade cut board mounted to the table is convenient for cutting and dicing the food during preparation, protecting your table from scratches and knife marks.

#### Mobility

The table is equipped with heavy-duty casters for effortless movement and setup, while ensuring that your surface remains unscathed.

#### Eco-Friendly

The equipment uses Hydro-Carbon R290 refrigerant, which is both environmentally friendly and energy efficient. This results in an overall reduction of energy costs of up to 28%.

Telephone: 1-800-465-0234

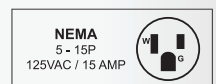
Fax: (905) 607-0234

Email: [sales@omcan.com](mailto:sales@omcan.com)

Website: [www.omcan.com](http://www.omcan.com)








Authorized Dealer



# Mega Refrigerated Sandwich/ Salad Prep Table



## SPECIFICATION

					
Item	50049	50129	50050	50051	50130
Model	PT-CN-0711-HC	PT-CN-0920-M-HC	PT-CN-1194-H	PT-CN-1537-HC	PT-CN-1787-M-HC
Width	28" MEGA	36" MEGA	47" MEGA	60" MEGA	71" MEGA
Net Volume	201 L / 7.1 cu.ft	258 L / 9.1 cu.ft	357 L / 12.6 cu.ft	469 L / 16.6 cu.ft	553 L / 19.5 cu.ft
Temperature Range	0.5 - 4.4°C / 33 - 40°F				
Max Ambient Temp Rating	24°C / 75°F				
Power	360 W	430 W	490 W	540 W	780 W
Amps	3.6 A	4.3 A	4.9 A	5.4 A	7.8 A
Electrical	115V / 60Hz / 1Ph				
Refrigerant	R290				
Isolation Material	cyclopentane				
Cooling System	ventilated				
Defrosting	Automatic				
Type of Controller	Digital				
Self-Closing Door	YES				
Number of Doors	1	2	2	2	3
Number of Shelves	1	2	2	2	3
Number of Casters	4	4	4	4	5
Shelf Loading Capacity	88 lbs / 40 kgs				
Shelf Material	Plastic Coated				
Number of Insert Pans	3 x 1/9 GN 9 x 1/6 GN	15 x 1/6 GN	18 x 1/6 GN	24 x 1/6 GN	30 x 1/6 GN
Interior Dimensions (WDH)	24.2" x 19.8" x 23.5" 615 x 504 x 597 mm	33" x 19.8" x 23.5" 837 x 504 x 597 mm	43" x 19.8" x 23.5" 1091 x 504 x 597 mm	56.5" x 19.8" x 23.5" 1434 x 504 x 597 mm	66.6" x 19.8" x 23.5" 1691 x 504 x 597 mm
Overall Dimensions (WDH)	27.5" x 34" x 45.9" 698 x 864 x 1166 mm	36.2" x 34" x 45.9" 920 x 864 x 1166 mm	46.8" x 34" x 45.9" 1188 x 864 x 1166 mm	60.2" x 34" x 45.9" 1529 x 864 x 1166 mm	70.4" x 34" x 45.9" 1787 x 864 x 1166 mm
Gross Dimensions (WDH)	32.7" x 39.2" x 49" 830 x 995 x 1245 mm	41.4" x 39.2" x 49" 1052 x 995 x 1245 mm	52" x 39.2" x 49" 1320 x 995 x 1245 mm	65.4" x 39.2" x 49" 1660 x 995 x 1245 mm	75.6" x 39.2" x 49" 1920 x 995 x 1245 mm
Net Weight	198.4 lbs / 90 kg	242.5 lbs / 110 kg	275.6 lbs / 125 kg	341.7 lbs / 155 kg	374.8 lbs / 170 kg
Gross Weight	251.3 lbs / 114 kg	308.6 lbs / 140 kg	370.4 lbs / 168 kg	427.7 lbs / 194 kg	577.6 lbs / 262 kg

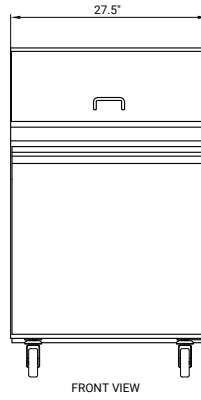
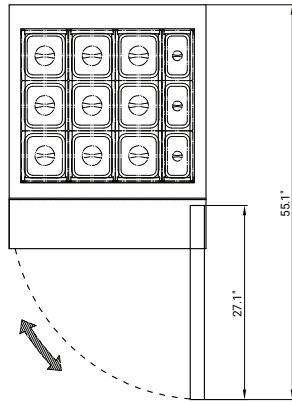
# Mega Refrigerated Sandwich/ Salad Prep Table



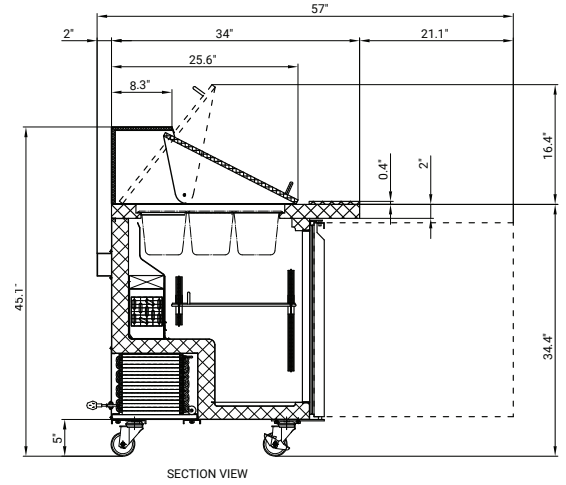
## DIMENSIONS

(Measurements in diagrams are in inches)

#50049  
28-inch Mega

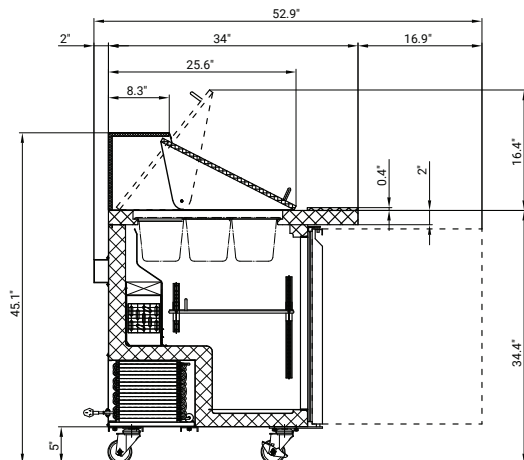
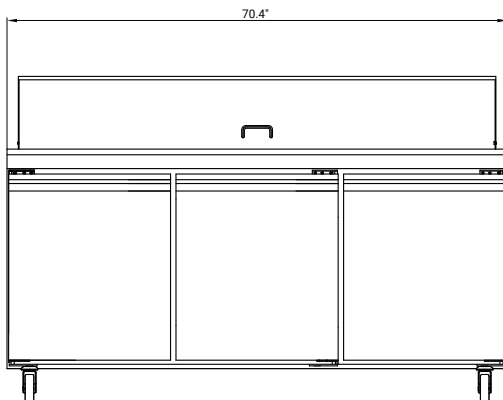
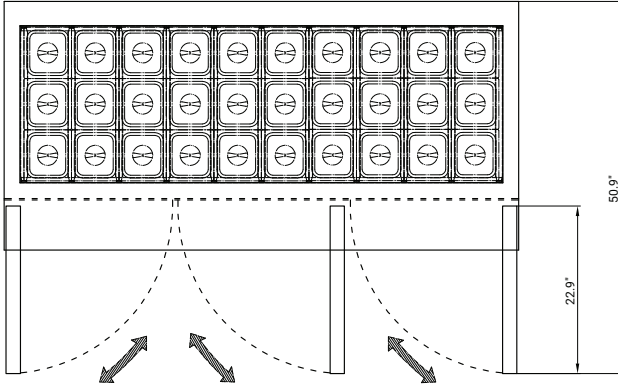


FRONT VIEW



SECTION VIEW

#50130  
71-inch Mega

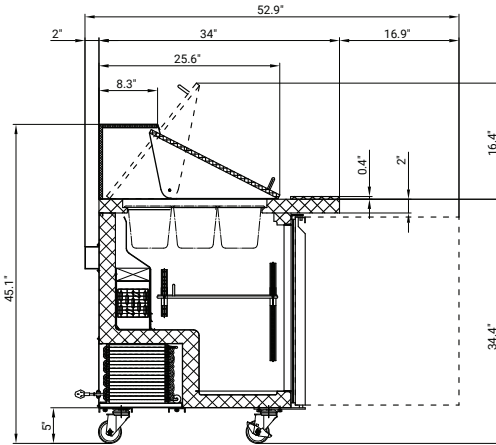


# Mega Refrigerated Sandwich/ Salad Prep Table

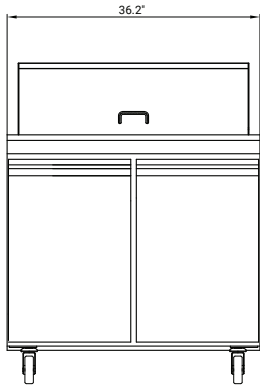


## DIMENSIONS

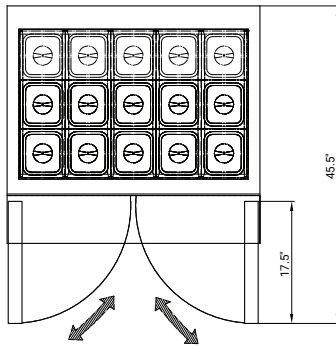
(Measurements in diagrams are in inches)



#50129  
36-inch Mega

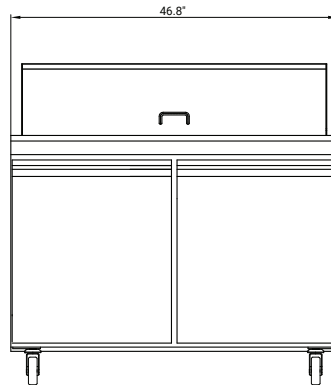


FRONT VIEW

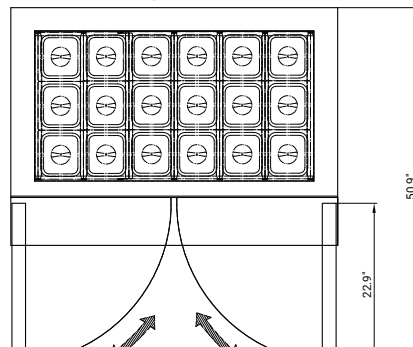


TOP VIEW

#50050  
47-inch Mega



FRONT VIEW



TOP VIEW

#50051  
60-inch Mega

