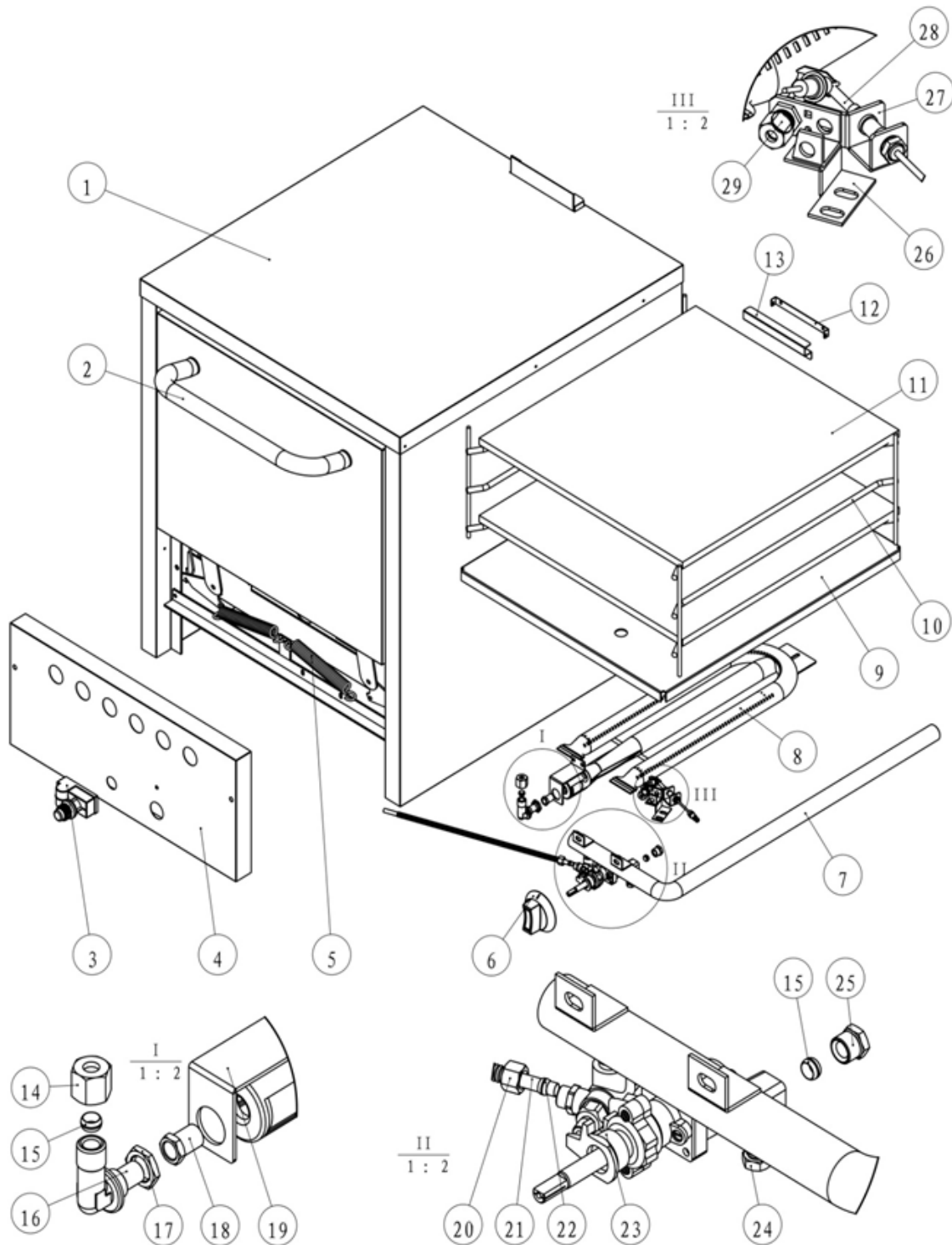


Parts Breakdown

Model PE-CN-36P31 48082



Parts Breakdown

Model PE-CN-36P31 48082

Item No.	Description	Position	Item No.	Description	Position	Item No.	Description	Position
AP803	Body Assembly for 48082	1	AP807	Baking Stone (2) and Supporting Rack Set for 48082	11	AP793	Pilot Gas Inlet Pipe for 48082	21
AP804	Door Handle for 48082	2	AP787	Sensor Fixation Plate for 48082	12	AP794	Clamp for 48082	22
AP779	Igniter for 48082	3	AP788	Sensor Cover Plate for 48082	13	66209	Thermostat Valve for 48082	23
AP805	Front Control Panel for 48082	4	AP789	Screw for 48082	14	AJ605	Test Plug for 48082	24
AP781	Spring for 48082	5	AL124	Compression Ring for 48082	15	AP795	Screw for 48082	25
AJ601	Top Burner Knob for 48082	6	AP790	Nozzle Connecting Elbow for 48082	16	AP796	Pilot Bracket Fixation Plate for 48082	26
AP782	Gas Inlet Pipe for 48082	7	AJ596	Flat Nut for 48082	17	AP797	Thermocouple Bracket for 48082	27
AP783	Burner for 48082	8	AJ595	Oven Nozzle for 48082	18	66217	Thermocouple for 48082	28
AP806	Chamber Bottom Plate for 48082	9	AP791	Nozzle Bracket for 48082	19	66201	Oven Pilot (NG) for 48082	29
AP785	Oven Side Rack for 48082	10	AP792	Screw for 48082	20			