



Manual Meat Slicer
Model MS-IT-0319-M
Item 44007
Instruction Manual



Revised - 03/28/2023



Toll Free: 1-800-465-0234
Fax: 905-607-0234
Email: service@omcan.com
www.omcan.com



Table of Contents

Model MS-IT-0319-M

Section	Page
General Information -----	3 - 4
Safety and Warranty -----	4 - 5
Technical Specifications -----	5
Installation -----	6
Operation -----	6 - 7
Maintenance -----	7 - 9
Parts Breakdown -----	10 - 19
Notes -----	20 - 22
Warranty Registration -----	23



General Information

Omcan Manufacturing and Distributing Company Inc., Food Machinery of America, Inc. dba Omcan and Omcan Inc. are not responsible for any harm or injury caused due to any person's improper or negligent use of this equipment. The product shall only be operated by someone over the age of 18, of sound mind, and not under the influence of any drugs or alcohol, who has been trained in the correct operation of this machine, and is wearing authorized, proper safety clothing. Any modification to the machine voids any warranty, and may cause harm to individuals using the machine or in the vicinity of the machine while in operation.

CHECK PACKAGE UPON ARRIVAL

Upon receipt of an Omcan shipment please inspect for external damage. If no damage is evident on the external packaging, open carton to ensure all ordered items are within the box, and there is no concealed damage to the machine. If the package has suffered rough handling, bumps or damage (visible or concealed), please note it on the bill of lading before accepting the delivery and contact Omcan within 24 hours, so we may initiate a claim with the carrier. A detailed report on the extent of the damage caused to the machine must be filled out within three days, from the delivery date shown in the shipping documents. Omcan has no recourse for damaged products that were shipped collect or third party.

Before operating any equipment, always read and familiarize yourself with all operation and safety instructions.

Omcan would like to thank you for purchasing this machine. It's of the utmost importance to save these instructions for future reference. Also save the original box and packaging for shipping the equipment if servicing or returning of the machine is required.

Omcan Fabrication et distribution Compañie Limité et Food Machinery d'Amérique, dba Omcan et Omcan Inc. ne sont pas responsables de tout dommage ou blessure causé du fait que toute personne ait utilisé cet équipement de façon irrégulière. Le produit ne doit être exploité que par quelqu'un de plus de 18 ans, saine d'esprit, et pas sous l'influence d'une drogue ou d'alcool, qui a été formé pour utiliser cette machine correctement, et est vêtu de vêtements de sécurité approprié. Toute modification de la machine annule toute garantie, et peut causer un préjudice à des personnes utilisant la machine ou des personnes à proximité de la machine pendant son fonctionnement.

VÉRIFIEZ LE COLIS DÈS RÉCEPTION

Dès réception d'une expédition d'Omcan veuillez inspecter pour dommages externes. Si aucun dommage n'est visible sur l'emballage externe, ouvrez le carton afin de s'assurer que tous les éléments commandés sont dans la boîte, et il n'y a aucun dommage dissimulé à la machine. Si le colis n'a subi aucune mauvaises manipulations, de bosses ou de dommages (visible ou cachée), notez-le sur le bond de livraison avant d'accepter la livraison et contactez Omcan dans les 24 heures qui suivent, pour que nous puissions engager une réclamation auprès du transporteur. Un rapport détaillé sur l'étendue des dommages causés à la machine doit être rempli dans un délai de trois jours, à compter de la date de livraison indiquée dans les documents d'expédition. Omcan n'a aucun droit de recours pour les produits endommagés qui ont été expédiés ou cueilli par un tiers transporteur.

General Information

Avant d'utiliser n'importe quel équipement, toujours lire et vous familiariser avec toutes les opérations et les consignes de sécurité.

Omcán voudrais vous remercier d'avoir choisi cette machine. Il est primordial de conserver ces instructions pour une référence ultérieure. Également conservez la boîte originale et l'emballage pour l'expédition de l'équipement si l'entretien ou le retour de la machine est nécessaire.

Omcán Empresa De Fabricacion Y Distribucion Inc. Y Maquinaria De Alimentos De America, Inc. dba Omcán y Omcán Inc. no son responsables de ningun daño o perjuicio causado por cualquier persona inadecuada o el uso descuidado de este equipo. El producto solo podra ser operado por una persona mayor de 18 años, en su sano juicio y no bajo alguna influencia de droga o alcohol, y que este ha sido entrenado en el correcto funcionamiento de esta máquina, y ésta usando ropa apropiada y autorizada. Cualquier modificación a la máquina anula la garantía y puede causar daños a las personas usando la máquina mientras esta en el funcionamiento.

REVISE EL PAQUETE A SU LLEGADA

Tras la recepcion de un envio Omcán favor inspeccionar daños externos. Si no hay daños evidentes en el empaque exterior, Habra el carton para asegurarse que todos los articulos solicitados estén dentro de la caja y no encuentre daños ocultos en la máquina. Si el paquete ha sufrido un manejo de poco cuidado, golpes o daños (visible o oculto) por favor anote en la factura antes de aceptar la entrega y contacte Omcán dentro de las 24 horas, de modo que podamos iniciar una reclamación con la compañía. Un informe detallado sobre los daños causados a la máquina debe ser llenado en el plazo de tres días, desde la fecha de entrega que se muestra en los documentos de envío. Omcán no tiene ningun recurso por productos dañados que se enviaron a recoger por terceros.

Antes de utilizar cualquier equipo, siempre lea y familiarizarse con todas las instrucciones de funcionamiento y seguridad.

Omcán le gustaría darle las gracias por la compra de esta máquina. Es de la mayor importancia para salvar estas instrucciones para futuras consultas. Además, guarda la caja original y el embalaje para el envío del equipo si servicio técnico o devolución de la máquina que se requiere.

Safety and Warranty

MECHANICAL SAFETY DEVICES

The slicer is manufactured according to the EEC 2006/42 Machinery Directive. The mechanical safety devices are the following:

- The 360° unmovable blade guard ring protects the blade.
- A specific device allows to expose only the part of the blade used for cutting.



Safety and Warranty

IMPORTANT

The front support feet can be unscrewed and replaced as required according to the dimensions of the working surface.

RESIDENTIAL USERS: Vendor assumes no liability for parts or labor coverage for component failure or other damages resulting from installation in non-commercial or residential applications. The right is reserved to deny shipment for residential usage; if this occurs, you will be notified as soon as possible.

1 YEAR PARTS AND LABOUR WARRANTY

Within the warranty period, contact Omcan Inc. at 1-800-465-0234 to schedule an Omcan authorized service technician to repair the equipment locally.

Unauthorized maintenance will void the warranty. Warranty covers electrical and part failures, not improper use.

Please see <https://omcan.com/disclaimer> for complete info.

WARNING:

The packaging components are classified as normal solid urban waste and can therefore be disposed of without difficulty.

In any case, for suitable recycling, we suggest disposing of the products separately (differentiated waste) according to the current norms.

DO NOT DISCARD ANY PACKAGING MATERIALS IN THE ENVIRONMENT!

Technical Specifications

Model	MS-IT-0319-M
Blade Size	12.5" / 319mm
Cutting Size	8" x 8.7" / 203 x 220mm
Cut Thickness Range	0.01" - 0.16" / 0.3 - 4mm
Weight	110 lbs. / 50 kgs.
Packaging Weight	143 lbs. / 65 kgs.
Dimensions	32.7" x 23" x 22" / 831 x 584 x 559mm
Packaging Dimensions	36" x 34" x 29" / 914 x 864 x 737mm
Item Number	44007

Installation

The slicer must be placed horizontally on a stable, robust and non-slip base adequate to support its weight. The suggested height of the working surface is about 800mm. Check out that the product tray motion has no hindrance and that the product can be easily loaded. It is possible to move the front support feet according to the depth of the working surface.

WARNING: To prevent the risk of crushing, position the machine so as to leave a clear space between the moving parts and the permanent structure.

PRELIMINARY CLEANING

The machine has to be cleaned from the protection oil. Please follow the instructions detailed in Maintenance.

WARNING

The working surface must always be cleaned.

Operation

SLICER FUNCTIONING AND USE

This slicer is suitable only for cutting ham and prosciutto

WARNING

The following products cannot be sliced:

- Inedible products.
- Foodstuff with bones.
- Frozen products.

1. Check out that the blade is protected by the blade guard
2. By manually moving the flywheel, bring the foodholding plate towards the operator side.

WARNING: Turn the flywheel only in clockwise direction.

3. Distance the food-holding plate using the fast plate shifting lever.
4. Place the product on the food-holding plate, press down on the pusher vertical sliding handle and lock it with the self-clamping pusher.

Note: To avoid slicing anomalies (irregular thickness, broken slices, etc.) it is suggested not to let an excessive quantity of the product jut out from the self-clamping pusher.

Note: When it is necessary to cut a substantial amount of the product, it is suggested to repeat several times the product re-positioning and re-locking operation by using the self-clamping pusher.

5. Arrange the thickness desired slice thickness control is working on cutting.

Note: Turning the slice thickness control in clockwise direction increases the slice thickness, whereas turning it in counterclockwise direction reduces it. The knob is equipped with a graduate scale from 1 to 11 (from 0 to 2 mm).

Operation

6. Bring the product in the cutting position by using the fast plate shifting lever or the slow plate shifting knob.
WARNING: Leave a 0.5 to 1 cm space between product and blade.
7. Turn in counterclockwise direction the blade protection block. The blade guard will move away from the blade, exposing just the part used for cutting.
DANGER: The part of the blade used for cutting is not protected.
8. With your right hand rotate the flywheel in clockwise direction.

With such an action you will start the slicing operation.

To unload the product, do the reverse operations.

WARNING

Once you finished the cutting operation, do not forget to put back the blade protection by following the described instructions in reverse.

Maintenance

BLADE SHARPENING

If the quality of the cut is not satisfying, the blade must be sharpened. The time interval between the sharpening operations depends on the use of the slicer and on the kind of products to be cut. This operation must be accomplished by qualified personnel. The blade must be replaced when its diameter is 10mm shorter than the original one.

WARNING

The replacement of the blade is a dangerous operation. If the sharpening quality is not satisfying, replace both of the grinding stones. Please contact Omcan customer service.

WARNING

Check that the blade guard covers the part of the blade used for cutting.

SHARPENING OPERATION

For a correct blade sharpening please proceed following the instructions hereafter:

1. Clean the blade, especially from fat leftovers.
2. Distance the food-holding plate from the blade.
3. Lift up the sharpener and rotate it 180°.
WARNING: Risk of injury - Once you have removed the sharpening device, a section of the blade remains uncovered.
4. Replace carefully the sharpener, the grinding stones will position themselves on either side of the blade.
5. With your right hand rotate the flywheel clockwise.
6. Sharpening: Press and hold the "A" button to bring the grinding stones in contact with the blade. Perform

Maintenance

- 20/30 blade rotations with the flywheel. Then release the “A” button and stop the rotation of the blade.
7. Honing: Press and hold the “B” button and bring it in contact with the blade. Perform 1/2 blade rotations with the flywheel. Then release the “B” button and stop the blade rotation.
 8. With your right hand rotate the flywheel clockwise.
 9. Lift and rotate by 180° degrees the sharpener and reposition it in its initial position.

GRINDING STONES CLEANING

To obtain an excellent sharpening the grinding stones must always be clean. Remove dirt and grease with alcohol and the supplied brush.

MAINTENANCE

SPARE PARTS

Please request only original spare parts.

CLEANING

After long periods of inactivity, always perform the cleaning operations before using the machine again. Clean all the accessible parts by using a cloth damped with water.

WARNING

Please avoid water jets.

DANGER

Please be careful during the cleaning operations: danger of injury.

WARNING

Check that the front blade protection covers the part of the blade used for cutting.

COMPONENTS REMOVAL

FOOD-HOLDING PLATE

- Turn the food-holding plate locking lever counterclockwise
- Pull up and remove the food holding plate.

SLICE-DEFLECTOR

- Loosen the screw and remove the slice deflector.

SLICER RECEIVING TRAY

- Loosen the two handles and pull out the tray

BLADE CLEANING

DANGER

During the blade cleaning operations, carefully avoid accidental contacts with the blade.

- Clean the blade front side with a wet cloth and move it slowly outwards from the centre, as indicated by the arrow. Dry with another cloth, then clean the back side of the blade in the same way.

BLADE PROTECTION CLEANING

- Clean the blade guard ring front side with a wet cloth.
- Turn in counterclockwise direction the blade protection block.
DANGER: The part of the blade used for cutting is now uncovered.
- Clean the blade guard ring back side with a wet cloth.
- Once you finish the cleaning operation, turn the blade protection block clockwise, the blade guard will cover the blade.

IMPORTANT: All the disassembled parts have to be cleaned individually with water and dishes detergent (do not use strong detergents), using a brush or a cloth. Then rinse them in warm water and dry them.

LUBRICATION

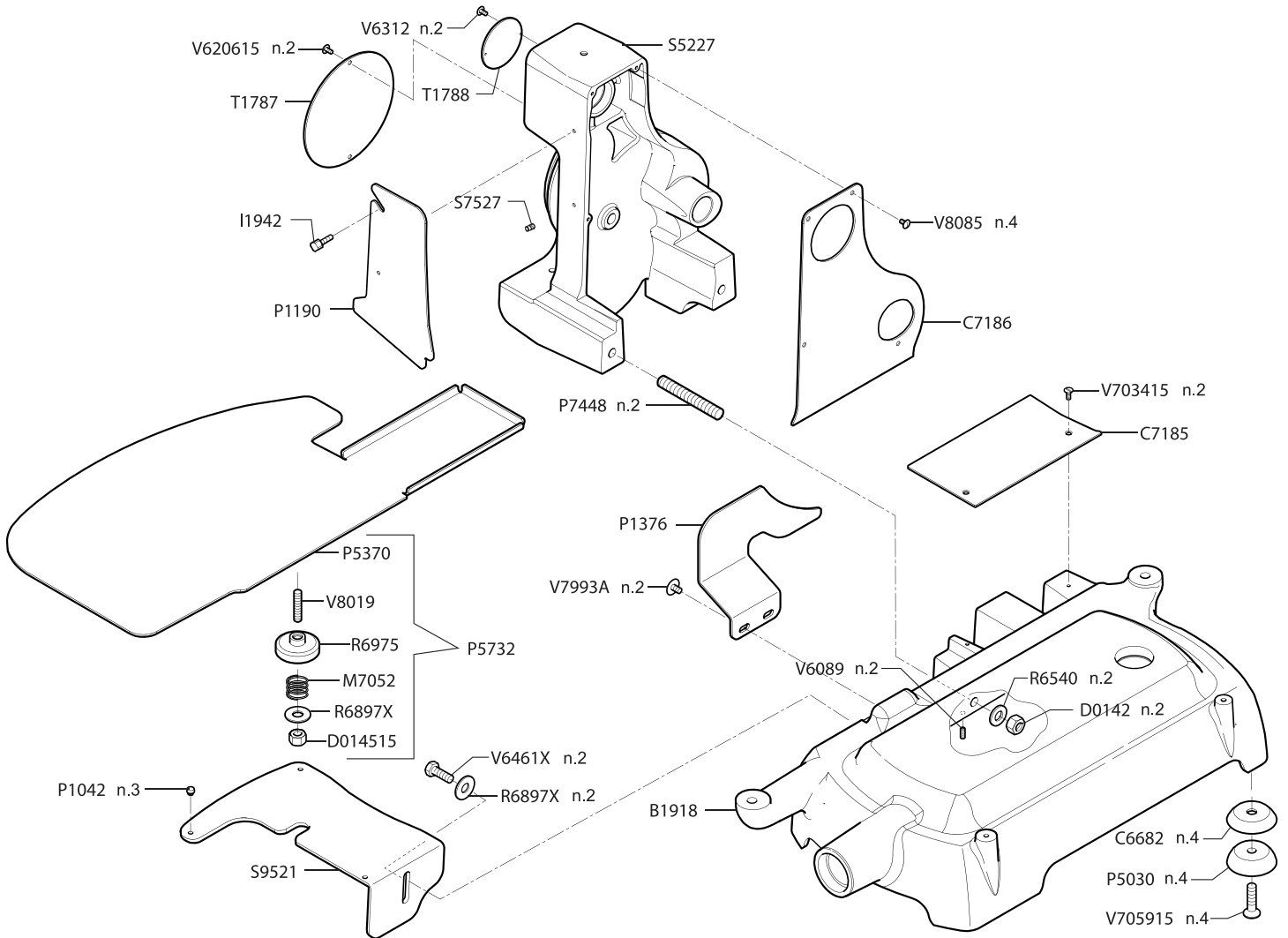
LUBRICATION OF THE CARRIAGE GUIDE BAR

This operation must be performed after cleaning the machine or whenever there are sliding problems. We suggest to use SHELL ONDINA 15 or ESSO MARCOL 82 oils.

- By activating the flywheel, move the carriage with the food-holding plate towards the operator.
- Squeeze the lubricating oil into the specific carriage guide bar lubricator.
- By activating the flywheel, let the carriage run back and forth several times.

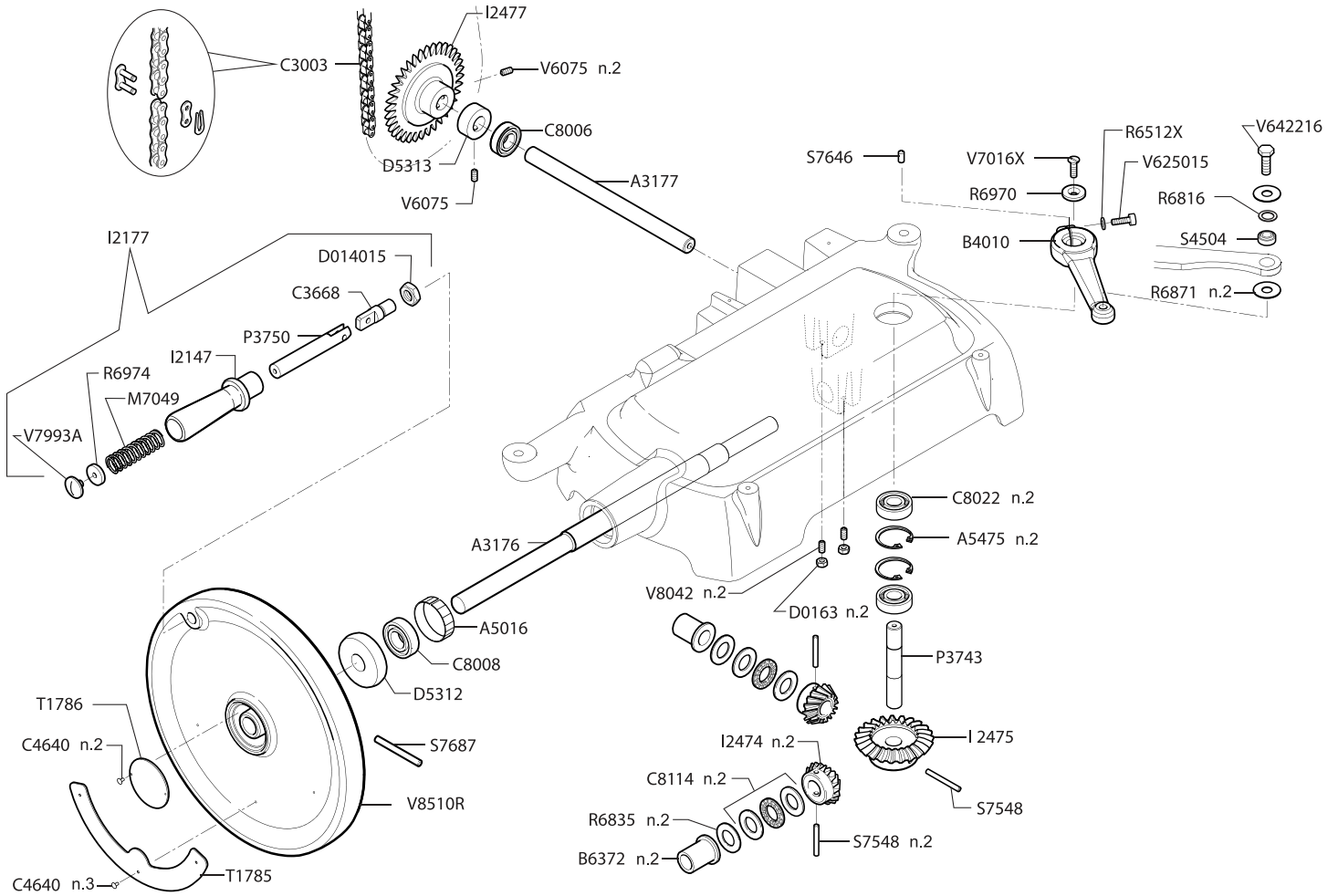
Parts Breakdown

Model MS-IT-0319-M 44007



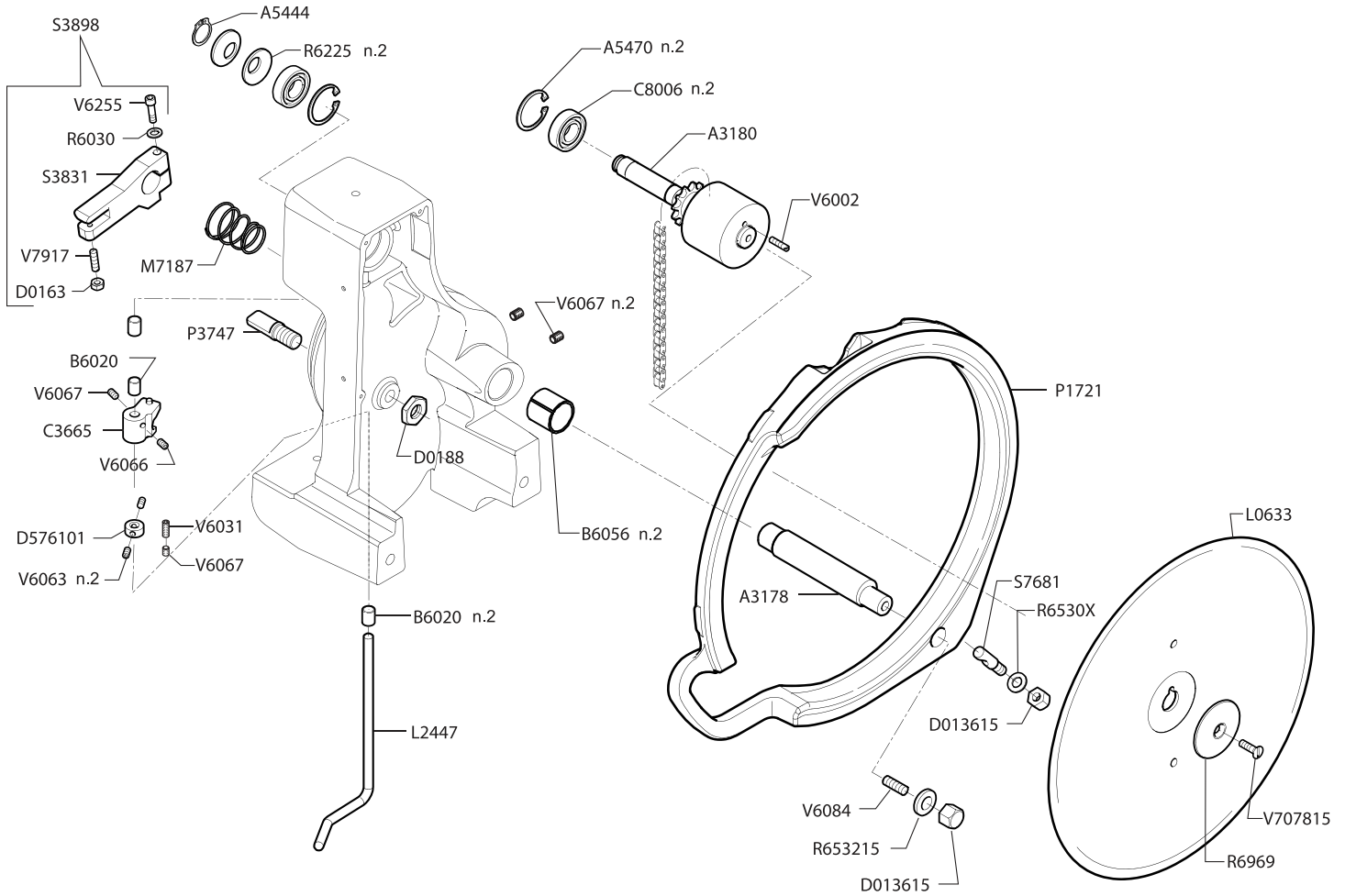
Parts Breakdown

Model MS-IT-0319-M 44007



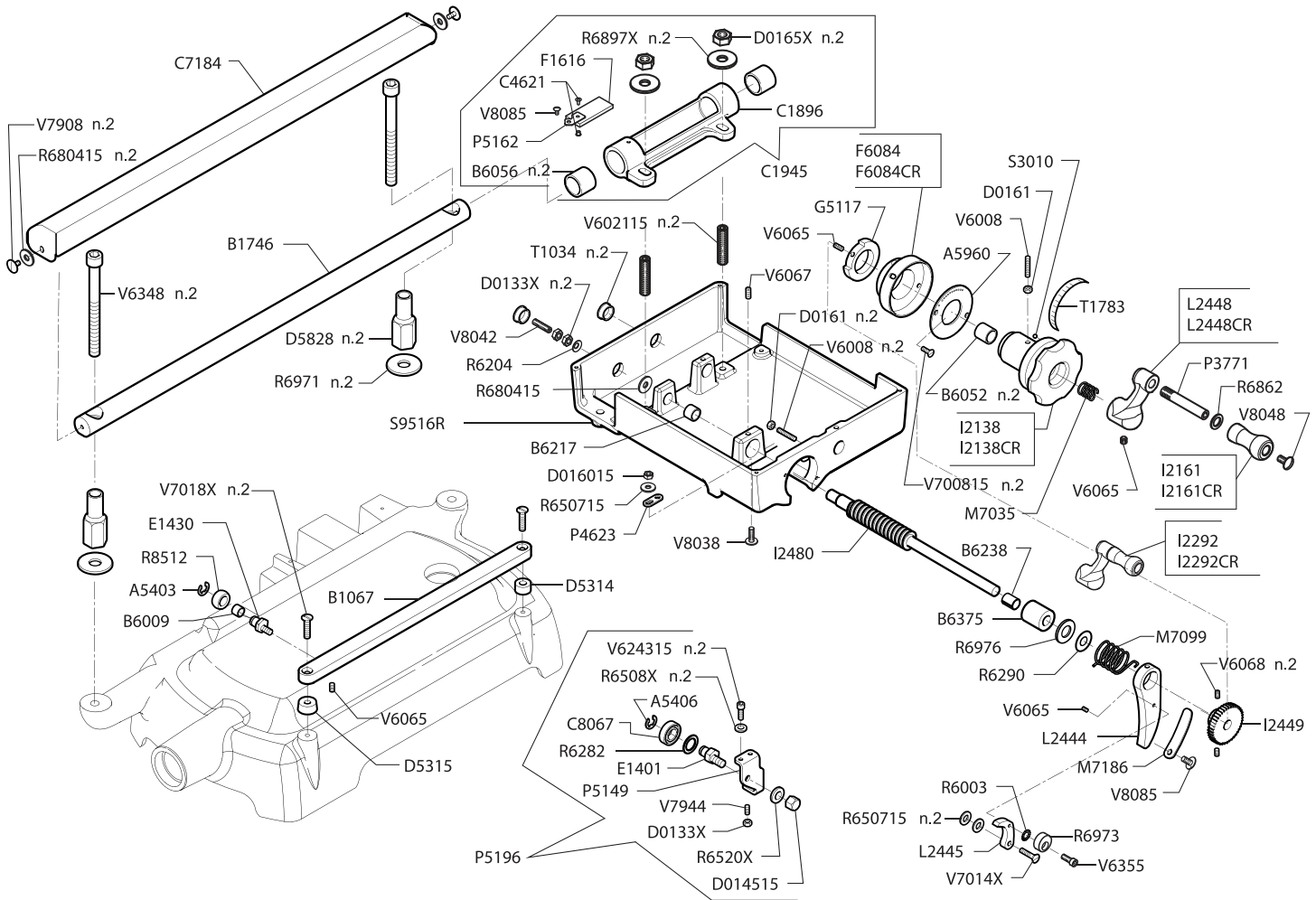
Parts Breakdown

Model MS-IT-0319-M 44007



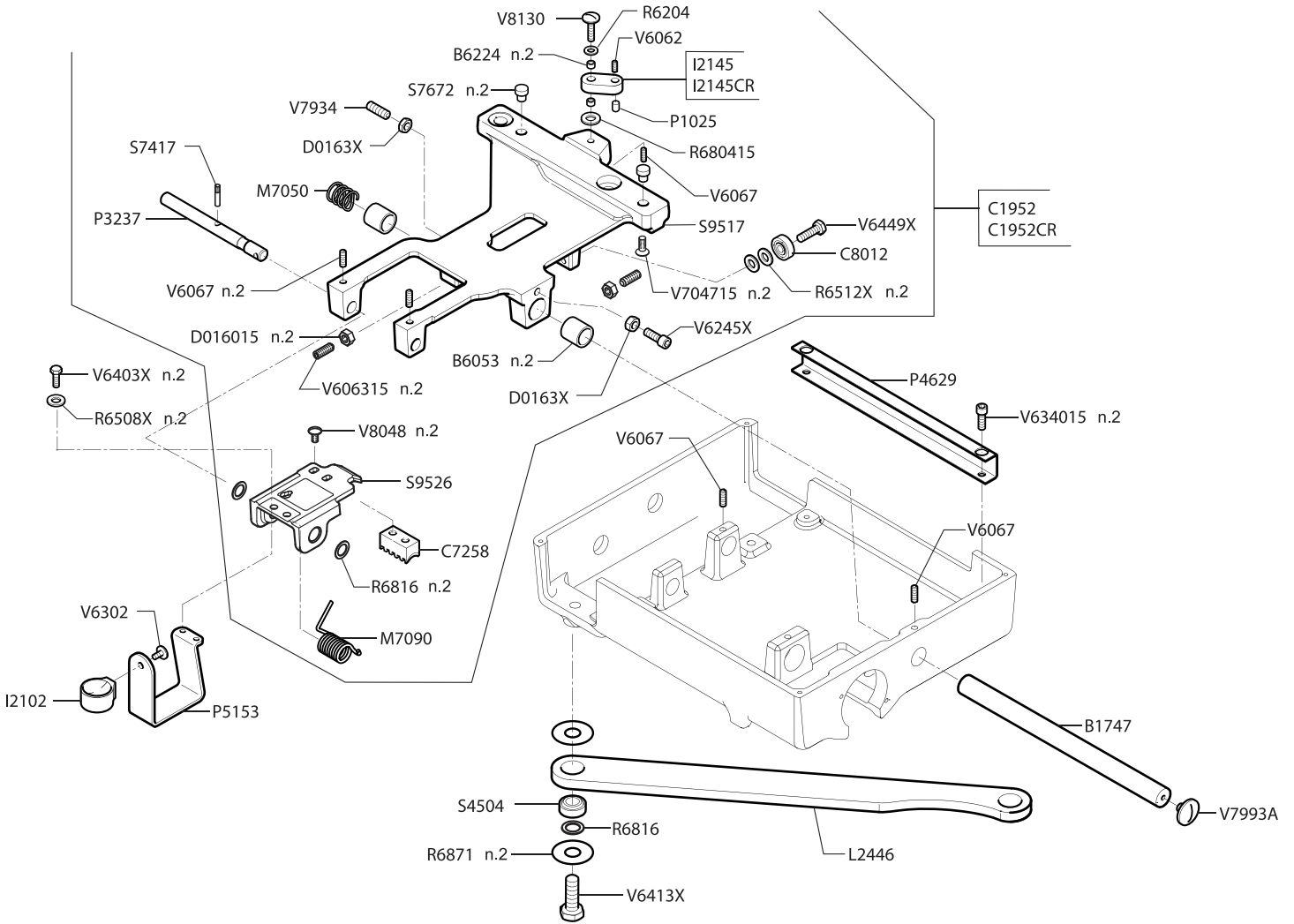
Parts Breakdown

Model MS-IT-0319-M 44007



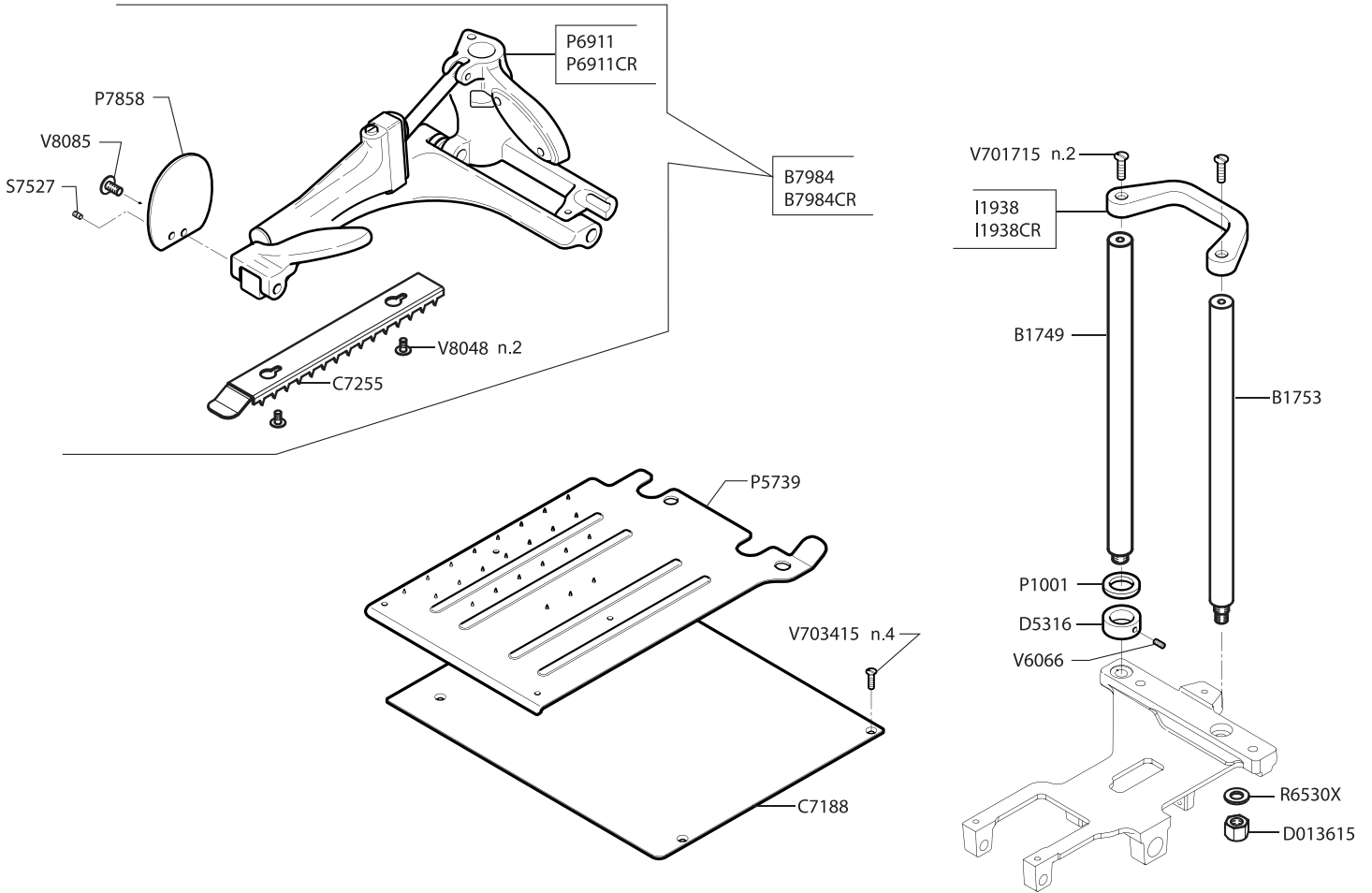
Parts Breakdown

Model MS-IT-0319-M 44007



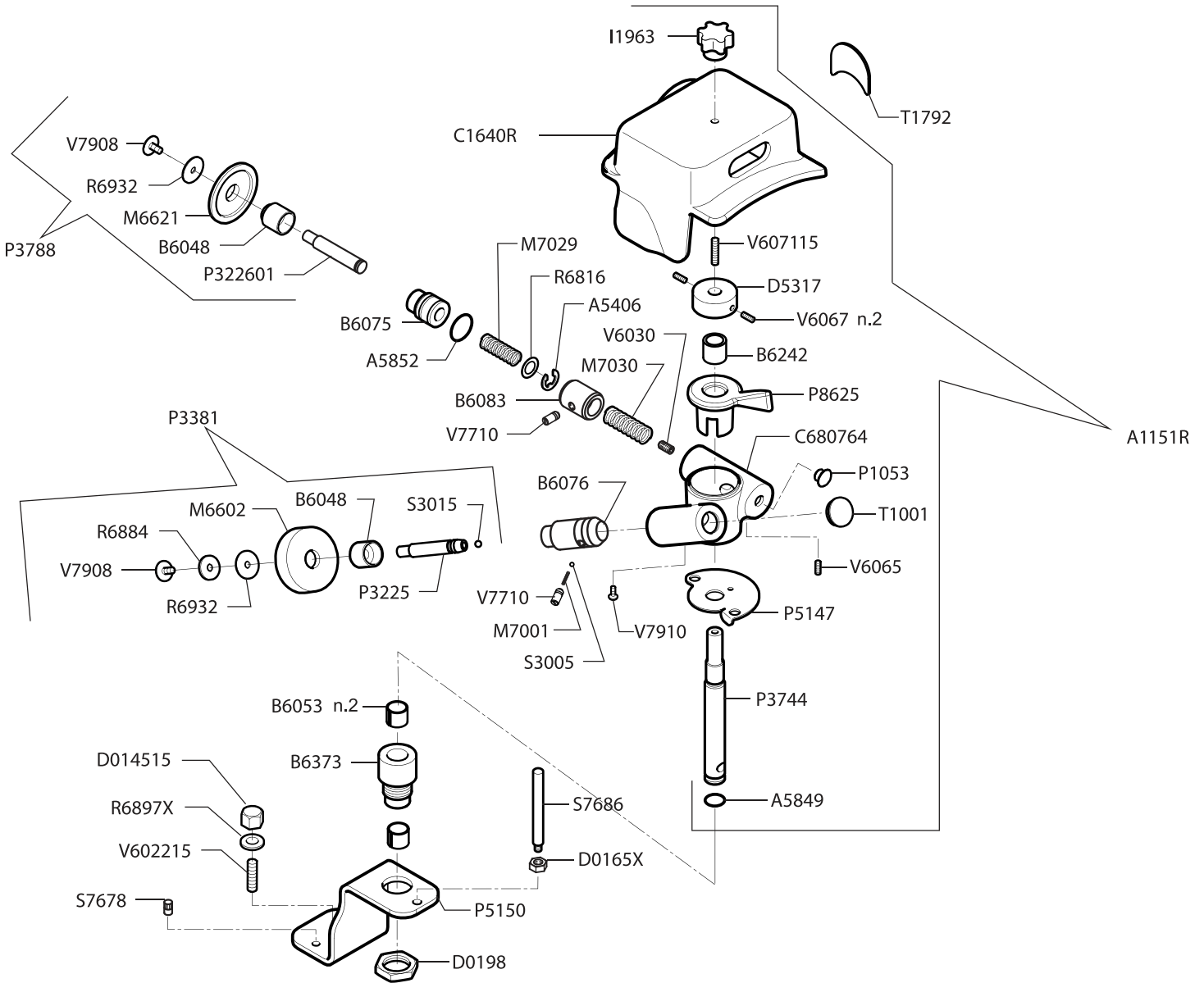
Parts Breakdown

Model MS-IT-0319-M 44007



Parts Breakdown

Model MS-IT-0319-M 44007



Parts Breakdown

Model MS-IT-0319-M 44007

Item No.	Description	Position	Item No.	Description	Position	Item No.	Description	Position
65118	Sharpener Assembled Red for 44007	A1151R	65136	Arm Pressam.Cromato Ass. for 44007	B7984CR	65160	Flywheel Spacer for 44007	D5312
65120	Tree Flyer for 44007	A3176	65139	Aluminum Hood Red for 44007	C1640R	65161	Spacer Shaft Corona for 44007	D5313
65121	Shaft for Wheel IN. (Z.36) for 44007	A3177	65142	Flywheel Cart for 44007	C1896	65162	Spacer Bar Ø17x18x10 for 44007	D5314
65122	Shaft for Paral.Est.Mob Sledge for 44007	A3178	65143	Trolley Ass. for 44007	C1945	65163	Conical Spacer Ø17x18x22x10 for 44007	D5315
65123	Blade Door Shaft for 44007	A3180	65144	Cart Ass. for 44007	C1952	65164	Spacer Bar2 BCT for 44007	D5316
65124	Compensator Ring 42x12 for 44007	A5016	65656	Cart Part Crome Assy. for 44007	C1952CR	65165	Spacer for 44007	D5317
17279	Ring El.Benzing 5 for 44007	A5403	65146	Roller Chain 3/8x7/32" L.81p Closed for 44007	C3003	65167	Distance Lever AZ.Paral.Est. for 44007	D576101
16902	Ring El.Benzing 8 for 44007	A5406	64360	Right Hinge Stainless Steel Group of INT90E for 44007	C3665	65166	Distance Barrel Carr. They Fly for 44007	D5828
64355	Ring El.Seeger Ext.12 for 44007	A5444	65147	Flywheel Hinge Imp. for 44007	C3668	19554	Bearing Cam A310 for 44007	E1401
36541	Ring El.Seeger Int.35 for 44007	A5470	36599	Rivet 3.85 for 44007	C4621	64367	Wheel Eccentric 104 for 44007	E1430
19174	Ring for 44007	A5475	36601	Rivet 1.9x5 for 44007	C4640	65169	Feltro Cart for 44007	F1616
64356	Oil Seal OR 3043 for 44007	A5849	36623	Foot Cover for 44007	C6682	65170	Flat Floor-B3 Pul for 44007	F6084
17287	O-Ring 123 17.86x2.62 for 44007	A5852	64361	Sharpener Body C33F for 44007	C680764	65171	Flange Chrome Plate B114 / TRIB for 44007	F6084CR
65125	Flange Ring for 44007	A5960	65150	Trolley Bar Cover for 44007	C7184	65174	Ring Adjusting Device for 44007	G5117
65126	Bar 12x20 Scorr.Carr for 44007	B1067	65151	Cover Inf. Shoulder for 44007	C7185	64368	Handle Bar Verticale L250 for 44007	I1938
65127	Cart Bar for 44007	B1746	65152	Ant. Cover Shoulder S5227 for 44007	C7186	65657	Grip. Chrome Vertical Bar 105 for 44007	I1938CR
65128	Cart Bar Transport for 44007	B1747	65153	Supp. Cover Plate for 44007	C7188	17357	Deflector Screw for 44007	I1942
65129	Round Bar Ø19x310 Arm for 44007	B1749	65154	Rack Pressamerce for 44007	C7255	65176	Handle 6 Lobe D.30 Hole M6 for 44007	I1963
65130	Round Bar Ø19x320 Arm for 44007	B1753	65155	Rack Advance. Plate for 44007	C7258	36719	Cover Handle for 44007	I2102
65131	Rod Vernic for 44007	B4010	36629	Bearing 2Z-6003 17x35x10 for 44007	C8006	65178	Handle Regul.Avanz Handle for 44007	I2138
19618	Bushing 8x10x8 for 44007	B6009	19538	Bearing 20x42x12 for 44007	C8008	65179	Chromed Grip Reg.Piatto Handle for 44007	I2138CR
19619	Bushing 8x10x12 for 44007	B6020	64362	Bearing 2Z-626 6x19x6 for 44007	C8012	65180	Grip Holder Fix.Piatto Portamerce for 44007	I2145
16904	Bushing Sharpener for 44007	B6048	17335	Bear.2RS-6203 17x40x12 for 44007	C8022	65181	Impug. Chromed Fix.Piatto B114 / TRB for 44007	I2145CR
17303	Bushing DU 12x14x15 for 44007	B6052	16926	Bearing 2RS-6000 (10x26x8) for 44007	C8067	65182	Flying Handle for 44007	I2147
16905	Bushing DU 16x18x15 for 44007	B6053	65157	Ball Holder 51103 17x30x9 for 44007	C8114	65183	Imp. for Leva Mov. V.S.F. for 44007	I2161
17304	Bushing for 44007	B6056	36636	Nut U5589 M6 Stainless Steel for 44007	D0133X	65184	Imp. Chromed Movement Lever for 44007	I2161CR
16906	Bush Sharpening for 44007	B6075	64363	Nut Din 917 M10 Inox for 44007	D013615	65185	Hand Assembly for 44007	I2177
16907	Bush. Sharpening for 44007	B6076	64364	Nut U5589 M14 Inox for 44007	D014015	65186	Handle Ass. for 44007	I2292
17307	Bushing Sharp. for 44007	B6083	65159	Normal Nut U5588 M12 for 44007	D0142	65187	Gripping Assembly V.S.F. for 44007	I2292CR
64358	Bushing Du 12x14x10 for 44007	B6217	66365	Domed Nut DIN 917 M8 Stainless Steel for 44007	D014515	65188	Gear Advancement for 44007	I2449
36568	Du Bushing 6x8x6 for 44007	B6224	36644	U5588 M5 Stainless Steel Nut for 44007	D016015	65189	Gear Z16 DP40 M2.5 for 44007	I2474
64359	Bushing Du 14x16x20 for 44007	B6238	77613	Normal Nut U5588 M4 for 44007	D0161	65190	Gear Z32 DP80 M2.5 for 44007	I2475
65882	Bushing SI.12x16x15 Sharpener AV3 for 44007	B6242	19644	Nut M6 for 44007	D0163	65191	Roller Engraver 3/8x7/32 z.36 for 44007	I2477
65132	Bushing SI.17x25x32x4x35 for 44007	B6372	36646	Nut U5588 M6 Stainless Steel for 44007	D0163X	65192	Input Screw S.F.Avat.Avat.On for 44007	I2480
65133	Bushing for Pivot Aff. for 44007	B6373	36648	Nut U5588 M8 for 44007	D0165X	65193	Blade mm 319/19/2 for 44007	L0633
65134	Bush Ingr. V.S.F. for 44007	B6375	64366	Nut M14x1 for 44007	D0188	65195	Drive Lever V.S.F. for 44007	L2444
65135	Arm Pressamerce Ass. for 44007	B7984	36652	Nut M25x1.5 for 44007	D0198	65196	Lever Block Gear for 44007	L2445

Parts Breakdown

Model MS-IT-0319-M 44007

Item No.	Description	Position	Item No.	Description	Position	Item No.	Description	Position
65197	Lever for Rod for 44007	L2446	65214	Pin for Imp. Flywheel for 44007	P3750	65241	Flat Washer U6953 10x30x2.5 Inox for 44007	R653215
65198	External Operating Lever for 44007	L2447	65215	Axle Lift Station Pin V.S.F. for 44007	P3771	64377	Washer U6592 12 for 44007	R6540
65199	Lever Mov. Screw S.F. B3 Luc. for 44007	L2448	65216	Ax.Mola Sbvatrice Pin for 44007	P3788	64378	Stainless Steel Washer U6593 6,6x18x1,6 for 44007	R680415
65200	Movim Lever Screw S.F. B114 / Trib for 44007	L2448CR	64372	Support Motor Flat for 44007	P4623	36889	Washer 10.5x16x1 for 44007	R6816
14787	Grinding Sharpening Stone 48x15x14.3 for 44007	M6602	65217	Bearing Sliding Plate for 44007	P4629	65232	Washer Spec.Rasam.Ram24 17x24x0.2 for 44007	R6835
21644	F Stone 51x7x14.3 for 44007	M6621	17438	Foot for 44007	P5030	65233	Special Washer 8x14x1 Inox for 44007	R6862
36741	Spring 2.9x4x12 Stainless Steel for 44007	M7001	65218	Plate Posit. Sharpener Body for 44007	P5147	36891	Washer 10.5x26x0.5 Stainless Steel for 44007	R6871
17379	Spring 11.9x0.7x27 Stainless Steel for 44007	M7029	65219	Plate Supp. Flat Bearing for 44007	P5149	16972	Washer 5.5x19x2.5 for 44007	R6884
17380	Spring 13.4x1.3x30 Stainless Steel for 44007	M7030	65220	Plate Supp. Sharpener for 44007	P5150	36893	Stainless Steel Special Washer 8.5x24x2 for 44007	R6897X
19249	Spring 15.1x1.3x18 for 44007	M7035	65221	Plate Flying Comb 319 for 44007	P5153	36897	Special Washer 5.5x22x1.5 for 44007	R6932
19781	Spring for 44007	M7049	65222	Fix Plate Felt Carr. for 44007	P5162	65234	Blade Fixing Washer for 44007	R6969
19782	Spring 19.5x1.5x16.7 for 44007	M7050	65223	Plate Assembly Strap for 44007	P5196	65235	Washer Adjustable Threading for 44007	R6970
17381	Spring 22 5x1 8x18 for 44007	M7052	65224	Stainless Steel Plate Posamerce for 44007	P5370	65236	Washer Dist.Barra Cart for 44007	R6971
65204	Handle Spring Trolley S37 for 44007	M7090	65225	Stainless Steel Plate Posamerce.Ass. for 44007	P5732	65237	Washer Ecc. Ring for 44007	R6973
64122	Spring Support for 44007	M7099	65226	Transversal Plate Ass. for 44007	P5739	65238	Washer Imp. Flywheel for 44007	R6974
65202	Spring 10x50 SP.0.5 for Lever for 44007	M7186	64373	Pusher Ass.L250/275 2 Colonne for 44007	P6911	65239	Rond. Pos. for 44007	R6975
65203	Conical Spring Ø139xØ126x42 Wire Ø2.5 for 44007	M7187	65228	Presser B114 / TRB Chrome for 44007	P6911CR	65240	Washer Ø12x21.8x2 Brass for 44007	R6976
17386	Rubber Shock Absorber for 44007	P1001	65229	Prisoner M12x90 Galvanized for 44007	P7448	19677	Wheel Tray for 44007	R8512
36760	Pin Tray Shock-Absorber for 44007	P1025	65230	Protection Parollice for 44007	P7858	19680	Ball 3 17 for 44007	S3005
19797	Nylon Shock 8.5x8 for 44007	P1042	24030	Sharpener Operating Handle for 44007	P8625	19681	Sphere 4 for 44007	S3010
36762	Rubber Plug for 44007	P1053	19657	Washer 4 for 44007	R6003	17465	Ball 4.76 for 44007	S3015
65206	Parafet for 44007	P1190	19661	Washer 8 for 44007	R6030	65243	Slide Mov Paral.Externo for 44007	S3831
65207	Paragrasso for 44007	P1376	17454	Washer for 44007	R6204	65244	Sted Ass. for 44007	S3898
65208	External Paralam Pul-Anod for 44007	P1721	64374	Rondella Tazza 16.3x31.5x0.8 for 44007	R6225	65245	Spherical Joint Rad.GE10E 10x19x9 for 44007	S4504
16959	Pin Grinding for 44007	P3225	64375	Rondella Ondulata 10.5x15.8x0.15 for 44007	R6282	65658	Flywheel Shoulder for 44007	S5227
17419	Pin Truing for 44007	P322601	65231	Wavy Washer 12.5x25x0.3 for 44007	R6290	64379	Spina Pivot Blocco Lame MT55 INOX for 44007	S7417
65209	Spindle Lever Flat Advance S37 for 44007	P3237	64376	Washer U6593 5 (5,5x15x1,2)Inox for 44007	R650715	36921	Stainless Steel 4x7 Pin M.C for 44007	S7527
17427	Assy Grinding Stone & Pin for 44007	P3381	36882	Washer U6592 5 Stainless Steel for 44007	R6508X	64380	Spina Mecc.Elast. U6873 6x40 for 44007	S7548
65211	Transmission Pin Couple Cone for 44007	P3743	17457	Washer U6592 6 Stainless Steel for 44007	R6512X	64381	Spina 5x10 Inox Supp.Affila.G35/37N for 44007	S7646
65212	Sharpening Pin for 44007	P3744	36884	Washer U6592 8 Stainless Steel for 44007	R6520X	64382	Spina Centraggio Plate S9M-1 for 44007	S7672
65213	Spindle Scroll.Select for 44007	P3747	36885	Washer U6592 10 Stainless Steel for 44007	R6530X	64383	Stainless Steel Pin 6x10 ZIG. for 44007	S7678

Parts Breakdown

Model MS-IT-0319-M 44007

Item No.	Description	Position	Item No.	Description	Position	Item No.	Description	Position
65247	Plug Fix.External Panel S9M-1 for 44007	S7681	37023	Screw STEI U5929 M5x5 for 44007	V6065	17497	Screw TSP U6109 M5x15 Stainless Steel for 44007	V7014X
65248	Central Plug Sharpening for 44007	S7686	19691	Grub Screw M6x6 for 44007	V6066	64398	Screw TSP DIN 963 M6x16 Stainless for 44007	V7016X
65249	Conical Plug Ø6x70 for 44007	S7687	19692	Screw M6x8 for 44007	V6067	64399	Screw TSP U6109 M6x20 Inox for 44007	V701715
65661	Supp. Plate Port. Red for 44007	S9516R	19693	Screw M6x5 for 44007	V6068	37079	Screw TSP U6190 M6x30 Stainless Steel for 44007	V7018X
65663	Arm Support 2 Columns for 44007	S9517	64390	Vite STEI U5929 M6x25 Inox for 44007	V607115	74418	Vite TSP U6109 M4x8 Inox for 44007	V703415
65255	Flat Support Pos. for 44007	S9521	19694	Screw M8x10 for 44007	V6075	64400	Stainless Steel Screw TSPEI U5933 M6x15 for 44007	V704715
65256	Supp. Crem. Adv. Plate for 44007	S9526	64391	Screw M10x25 U5923 for 44007	V6084	65277	Screw TSPEI U5933 M10x25 Inox for 44007	V705915
19877	Rubber Cap for 44007	T1001	65263	Screw STEI U5923 M8x10 for 44007	V6089	65278	Screw TSP U6109 M8x16 Inox for 44007	V707815
65257	Heyco DP-625 Plug Diam.16 for 44007	T1034	37034	Stainless Steel Screw M8x4 U5931 for 44007	V620615	19713	Screw Sharpener for 44007	V7710
65258	Plate Autoad. 0-11 Advance. Plate for 44007	T1783	64392	Screw TCEI U5931 M5x12 Inox for 44007	V624315	17503	Screw M5x13 for 44007	V7908
64384	Targhetta Royal Machines Mezzaluna for 44007	T1785	77598	Stainless Steel Screw TCEI U5931 M6x20 for 44007	V6245X	19715	Screw Sharpener for 44007	V7910
64385	Targhetta Royal Machines Ø58 for 44007	T1786	64393	Vite TCEI U5931 M6x30 Inox for 44007	V625015	19717	Screw M6x50 for 44007	V7917
65259	Flat Flywheel Plate Ø126.5 for 44007	T1787	64394	Screw TCEI U5931 M8x35 for 44007	V6255	19720	Screw M6 for 44007	V7934
65260	Rounded Flywheel Plate Ø57.5 for 44007	T1788	64395	Vite TBTC U6954 4.8x19 for 44007	V6302	64401	Screw M6x10 Registro for 44007	V7944
65261	Plate Vol.Sagomata 2Col for 44007	T1792	64396	Screw TBTC AUT.U6954 2.2x9.5 for 44007	V6312	37095	Screw for Rod 6x13 for 44007	V7993A
64386	Screw STTC U6113 M5x12 for 44007	V6002	37055	Stainless Steel Screw M 5x8 U5931 for 44007	V634015	65664	Screw M8x35 Inox for 44007	V8019
37016	Screw STTC U6113 M4x25 for 44007	V6008	65264	Screw TCEI U5931 M12x100 for 44007	V6348	37103	Screw M5x15 for 44007	V8038
26127	Stud C Model for 44007	V602115	65265	Screw TCEI U5931 M4x10 for 44007	V6355	37104	Threaded Stud for 44007	V8042
64387	Stainless Steel Screw M8x30 U5923 for 44007	V602215	37060	Stainless Steel Screw TE U5737 M5x12 for 44007	V6403X	37106	Stainless Steel Switch Screw M5x10 for 44007	V8048
37021	Screw for 44007	V6030	37062	Screw TE U5739 M10x25 Stainless Steel for 44007	V6413X	37112	Stainless Steel Screw M8x4 for 44007	V8085
64388	Screw STEI U5923 M6x16 for 44007	V6031	65276	Screw for Ends S9M-1 for 44007	V642216	37114	Stainless Steel Screw M6x25 for 44007	V8130
64389	Screw STEI U5929 M4x5 for 44007	V6062	37070	Screw TE U5739 M6x20 Stainless Steel for 44007	V6449X	65269	Flywheel Red for 44007	V8510R
65262	Screw STEI U5929 M5x14 for 44007	V6063	37073	Screw TE U5739 M8x25 Stainless Steel for 44007	V6461X			
65275	Screw STEI U5929 M5x14 Inox for 44007	V606315	64397	Stainless Steel Screw TSP U6109 M4x12 for 44007	V700815			



Warranty Registration

Thank you for purchasing an Omcan product. To register your warranty for this product, complete the information below, tear off the card at the perforation and then send to the address specified below. You can also register online by visiting:

Merci d'avoir acheté un produit Omcan. Pour enregistrer votre garantie pour ce produit, complétez les informations ci-dessous, détachez la carte au niveau de la perforation, puis l'envoyer à l'adresse spécifiée ci-dessous. Vous pouvez également vous inscrire en ligne en visitant:

Gracias por comprar un producto Omcan usted. Para registrar su garantía para este producto, complete la información a continuación, cortar la tarjeta en la perforación y luego enviarlo a la dirección indicada a continuación. También puede registrarse en línea en:

<https://omcan.com/warranty-registration/>

For mailing in Canada

Pour postale au Canada

Por correo en Canadá

OMCAN

PRODUCT WARRANTY REGISTRATION

3115 Pepper Mill Court,

Mississauga, Ontario

Canada, L5L 4X5

For mailing in the US

Pour diffusion aux États-Unis

Por correo en los EE.UU.

OMCAN

PRODUCT WARRANTY REGISTRATION

4450 Witmer Industrial Estates, Unit 4,

Niagara Falls, New York

USA, 14305

or email to: service@omcan.com



Purchaser's Information

Name: _____

Address: _____

City: _____ Province or State: _____ Postal or Zip: _____

Country: _____

Dealer from which Purchased: _____

Dealer City: _____ Dealer Province or State: _____

Invoice: _____

Model Name: _____ Model Number: _____

Machine Description: _____

Date of Purchase (MM/DD/YYYY): _____

Would you like to extend the warranty? Yes No

Company Name: _____

Telephone: _____

Email Address: _____

Type of Company:

Restaurant Bakery Deli

Butcher Supermarket Caterer

Institution (*specify*): _____

Other (*specify*): _____

Serial Number: _____

Date of Installation (MM/DD/YYYY): _____

Thank you for choosing Omcan | Merci d'avoir choisi Omcan | Gracias por elegir Omcan



Since 1951 Omcan has grown to become a leading distributor of equipment and supplies to the North American food service industry. Our success over these many years can be attributed to our commitment to strengthen and develop new and existing relationships with our valued customers and manufacturers. Today with partners in North America, Europe, Asia and South America, we continually work to improve and grow the company. We strive to offer customers exceptional value through our qualified local sales and service representatives who provide convenient access to over 6,500 globally sourced products.

Depuis 1951 Omcan a grandi pour devenir un des “leaders” de la distribution des équipements et matériel pour l’industrie des services alimentaires en Amérique du Nord. Notre succès au cours de ces nombreuses années peut être attribué à notre engagement à renforcer et à développer de nouvelles et existantes relations avec nos clients et les fabricants de valeur. Aujourd’hui avec des partenaires en Amérique du Nord, Europe, Asie et Amérique du Sud, nous travaillons continuellement à améliorer et développer l’entreprise. Nous nous efforçons d’offrir à nos clients une valeur exceptionnelle grâce à nos ventes locales qualifiées et des représentants de service qui offrent un accès facile à plus de 6500 produits provenant du monde entier.

Desde 1951 Omcan ha crecido hasta convertirse en un líder en la distribución de equipos y suministros de alimentos en América del Norte industria de servicios. Nuestro éxito en estos años se puede atribuir a nuestro compromiso de fortalecer y desarrollar nuevas relaciones existentes con nuestros valiosos clientes y fabricantes. Hoy con socios de América del Norte, Europa, Asia y América del Sur, que trabajan continuamente para mejorar y crecer la empresa. Nos esforzamos por ofrecer a nuestros clientes valor excepcional a través de nuestro local de ventas y representantes de los servicios que proporcionan un fácil acceso a más de 6,500 productos con origen a nivel mundial.

