

Table Model Meat Grinder With 1.5 HP Motor

ITEM: 46204
MODEL: MG-ES-0022

Robust and durable

This powerful table model meat grinder includes a large stainless steel filling tray, #22 knife and plate, removable head, feed screw and ring. It features an extraordinarily robust motor-gear unit, 1 set of single cutting system and safety switch to ensure efficient operations and the best cutting results at anytime.

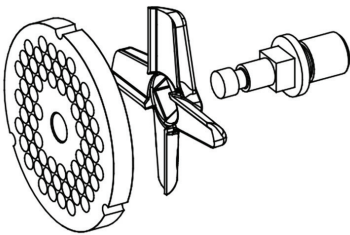
FEATURES:

- Stainless steel filling tray
- Knives and plates made of carbon steel
- Overheating protection
- Rugged gearbox made of steel, with oil bath
- Use of durable materials results in a long-lasting machine
- Extremely energy and production efficient
- Quiet and generates less heat

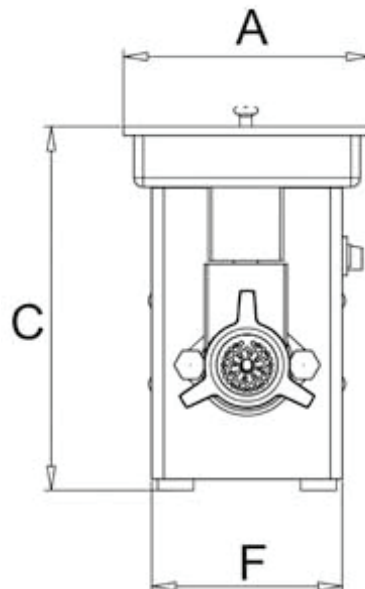
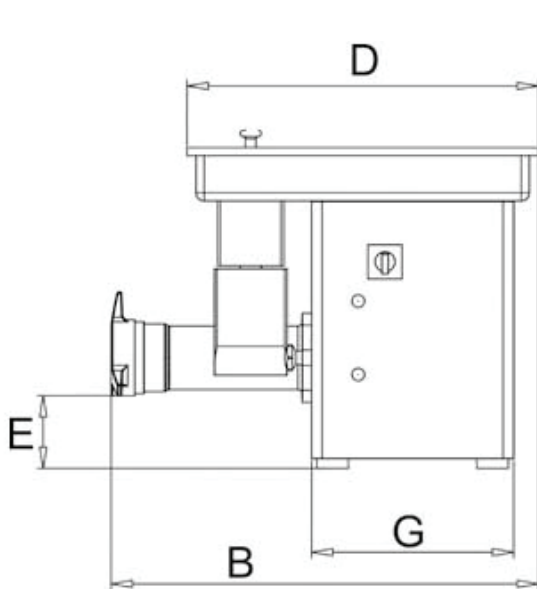




TECHNICAL DRAWINGS



Technical Specification	
Item	46204
Model	MG-ES-0022
Tray Capacity	10.6 Qt. (10 L)
Diameter of Mincer Plate	3.26 mm
Cutting System	Single Cut
Single Cutting System	(2) Plates, hole dia. 0.17" & 0.3" (4.5 & 7.8 mm) (1) Cutting knife
Operating Temperature	40° - 100° F (5° - 40° C)
Operating Relative Humidity	20 - 99%
Output Per Hour	771 lb. (350 kg.)
Power	1100 W / 1.5 hp
Electrical	208V / 60Hz / 3Ph
Amps	4.3 A
Noise Level at 1m	60 dB(A)
Net Weight	110 lb. (50 kg.)
Net Dimensions (WDH)	23.7" x 12.2" x 18.2" (600 x 310 x 460 mm)
Gross Dimensions (WDH)	28" x 14" x 20" (711 x 356 x 508 mm)



- A.** 12.2" (310 mm)
- B.** 23.7" (600 mm)
- C.** 18.2" (460 mm)
- D.** 20.5" (520 mm)
- E.** 7" (170 mm)
- F.** 10.3" (330 mm)
- G.** 13" (330 mm)