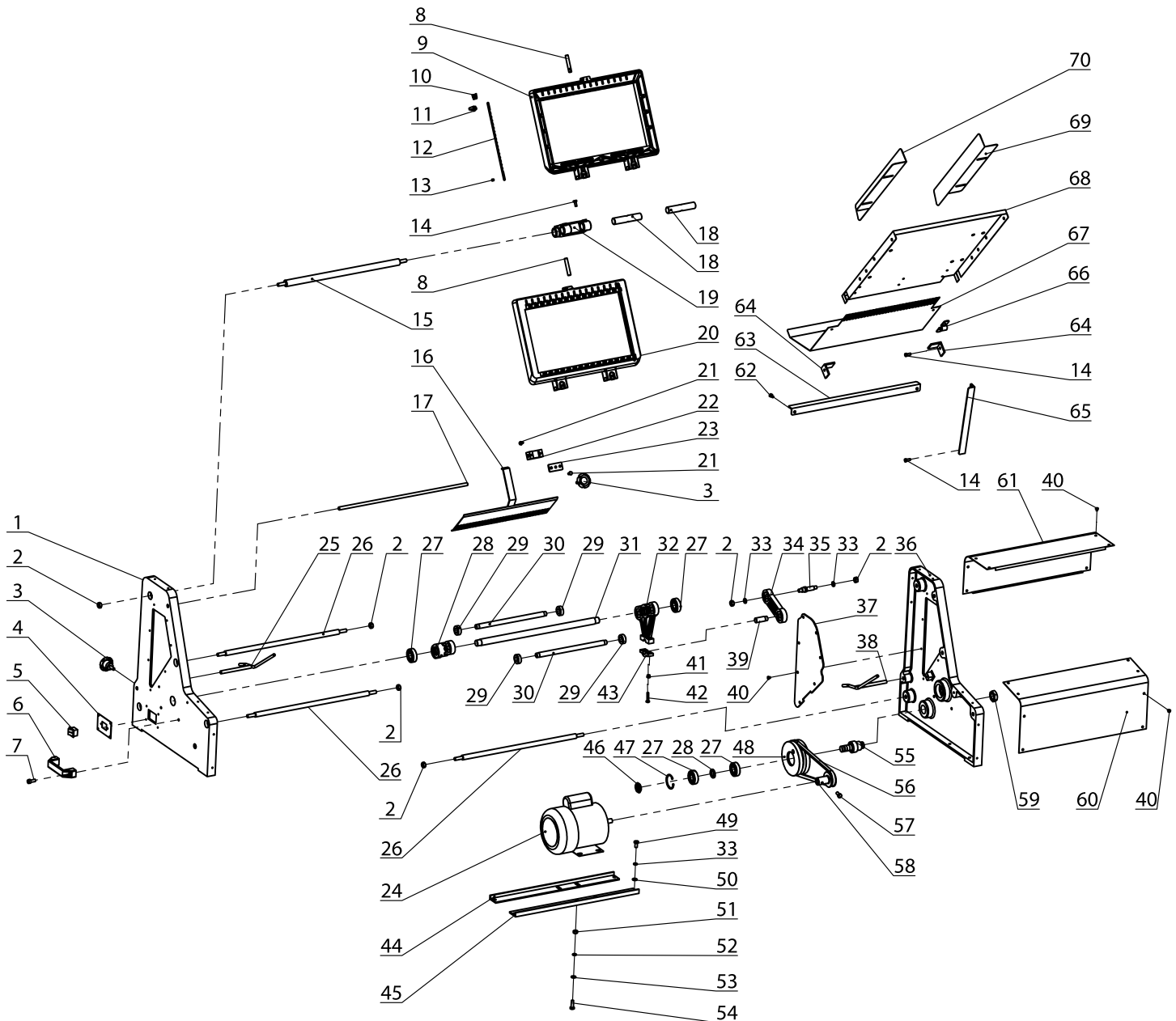


Parts Breakdown

Model SB-CN-0011 44250



Parts Breakdown

Model SB-CN-0011 44250

Item No.	Description	Position	Item No.	Description	Position	Item No.	Description	Position
63586	Right Wall for 44250	1	63610	Lower Fixed Plate (Right) for 44250	25	63634	Screw M8x16 for 44250	49
63587	Nut M10 for 44250	2	63611	Frame Fixed Rod for 44250	26	63635	Washer Ø8 for 44250	50
63588	Handle for 44250	3	63612	Bearing 6204 for 44250	27	63636	Nut M8 for 44250	51
63589	Control Panel for 44250	4	63613	Plastic Base (Right) for 44250	28	63635	Washer Ø8 for 44250	52
63590	Power Switch for 44250	5	63614	Blade Frame Fixed Ring for 44250	29	63635	Washer Ø8 for 44250	53
63591	Plastic Handle for 44250	6	63615	Blade Frame Fixed Rod for 44250	30	63639	Screw M8x25 for 44250	54
63592	Screw M8x20 for 44250	7	63616	Blade Frame Fixed Rod for 44250	31	63640	Pulley Shaft for 44250	55
63593	Blade Frame Activity Lever for 44250	8	63617	Plastic Base (Left) for 44250	32	63641	Belt for 44250	56
64309	Upper Blade Frame for 44250	9	63618	Washer for 44250	33	63634	Screw M8x16 for 44250	57
63595	Spring for 44250	10	63619	Plastic Bearing Connecting Rod for 44250	34	63643	Motor Pulley Shaft for 44250	58
63596	Blade Frame Retainer for 44250	11	63620	Transmission Fixed Shaft for 44250	35	63644	Nut M22 for 44250	59
14836	Blade for 44250	12	63621	Left Wall for 44250	36	63645	Front Cover for 44250	60
63598	Blade Dowel for 44250	13	63622	Acrylic Board for 44250	37	63646	Upper Cover for 44250	61
63599	Screw M6x16 for 44250	14	63623	Lower Fixed Plate (Left) for 44250	38	63606	Screw M6x12 for 44250	62
63600	Fixed Rod for 44250	15	63624	Sliding Shaft for 44250	39	63648	Fixed Angle Iron for 44250	63
64310	Platen for 44250	16	63625	Screw M5x6 for 44250	40	63649	Fixed Angle Iron for 44250	64
63602	Fixed Rod for 44250	17	63626	Soft Hat M6 for 44250	41	63650	Fixed Angle Iron for 44250	65
63603	Upper Rod for 44250	18	63627	Screw M6x30 for 44250	42	63651	Sloping Plate Retainer for 44250	66
63604	Permanent Seat for 44250	19	63628	Plastic Base Attachment for 44250	43	64312	Tray Bar for 44250	67
64311	Lower Blade Frame for 44250	20	63629	Motor Support (Back) for 44250	44	63653	Sloping Plate for 44250	68
63606	Screw M6x12 for 44250	21	63630	Motor Support (Front) for 44250	45	63654	Width Fixing Plate for 44250	69
63607	Holder for 44250	22	63631	Nut M20 for 44250	46	63655	Width Fixing Plate for 44250	70
63608	Holder Cover for 44250	23	63632	Screw Ø49 for 44250	47	20860	Plastic Lock Bolt of Guides for 44250	
63609	Motor for 44250	24	63633	Pulley for 44250	48	63969	Complete Blade Assembly for 44250	