

13" Blade Gear-Driven Automatic Slicer

ITEM: 39477
MODEL: MS-IT-0330-N

Efficient and easy to use

This slicer is equipped with an automatic sliding carriage and two independent high performance fan cooled motors: one for the carriage and one for the blade. The gears are constantly bathed in oil. The polished anodized aluminium body along with its high carbon, hard chromed blade provides long life and durability. Easy to disassemble and clean.

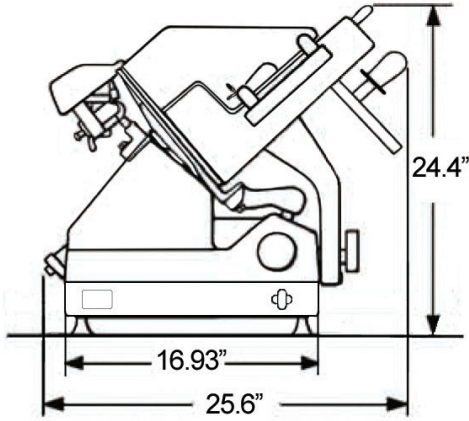
FEATURES:

- Adjustable carriage stroke and number of cuts
- Two separate motors - one for the blade and the carriage
- Removable parts for cleaning, blade cover, product-holder plate, meat grip, stainless steel slice deflector
- Blade with band of chromium-plated hardened steel
- Turning aside and removable dual-action sharpener
- Interlock on gauge plate on zero position
- Plexiglass protection at product-holder plate
- High reliability of all elements
- Lifting arm and is designed for easy access and cleaning
- Fence included

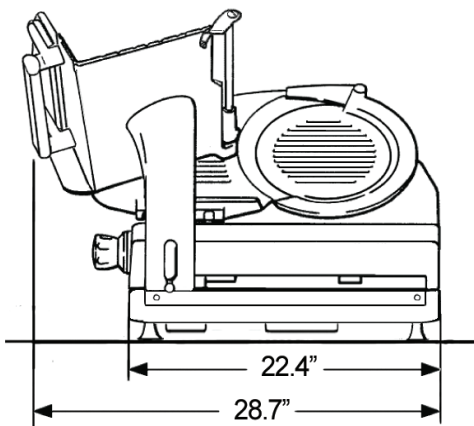


TECHNICAL DRAWINGS

Side View

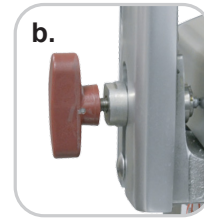
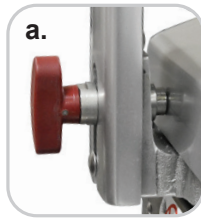


Front View



Disassembling carriage tray safely for cleanup

1. Ensure power switch is OFF and machine is unplugged
2. Set the index knob at zero (a.)
3. Unscrew the knob by rotating counter-clockwise (b.)
4. Slide carriage tray into the "lock" position (c.), loosen up the knob (counter-clockwise) all the way and the tray is ready to be removed



*Cheese Slicing Ratings Not Recommended Occasional Low Medium High

**Results may vary due to product consistency and temperature

Technical Specification

Item	39477
Model	MS-IT-0330-N
Blade Size	13" (330 mm)
Cut Thickness	0 - 0.55" (0 - 14 mm)
Cheese Slicing*	<input checked="" type="checkbox"/> <input type="checkbox"/> <input type="checkbox"/> <input type="checkbox"/>
Slicing Volume**	8 Hours or more
Slicing Capacity	<input type="checkbox"/> 10.2" x 6.7" (260 x 170 mm) <input type="checkbox"/> 9.25" (235 mm)
RPM	240
Power	450 W / 0.6 hp
Electrical	120V / 60Hz / 1Ph
Net Weight	130 lb. (59 kg.)
Net Dimensions (WDH)	22.4" x 25.6" x 24.4" (568 x 650 x 620 mm)
Gross Weight	163 lb. (74 kg.)
Gross Dimensions (WDH)	36.2" x 33.8" x 32.7" (919 x 858 x 830 mm)
Plug Type	NEMA 5 - 15P