



SERVING THE FOOD INDUSTRY SINCE 1951

48" Grab-and-Go Open Refrigerated Self-Serve Display Case

ITEM: 48272
MODEL: RS-CN-0490



Stylish Open Front Refrigerated Showcase

Spacious display unit design for easy access and visibility. A generous 15 cu.ft. (426L) capacity provides ample room for variety of chilled items. The open-front design allows for convenient, self-service access. Idea for showcasing snacks, beverages and perishables.

FEATURES:

- Internal LED lighting at 2 front sides
- Digital temperature controller and display
- 4 Castors with 2 brakes
- Double tempered glass with night curtain
- Ventilated cooling system
- Automatic defrost
- Adjustable shelves
- Condensation water evaporated automatically
- Condensation at back side free maintenance

Telephone: 1-800-465-0234

Fax: (905) 607-0234

Email: sales@omcan.com

Website: www.omcan.com



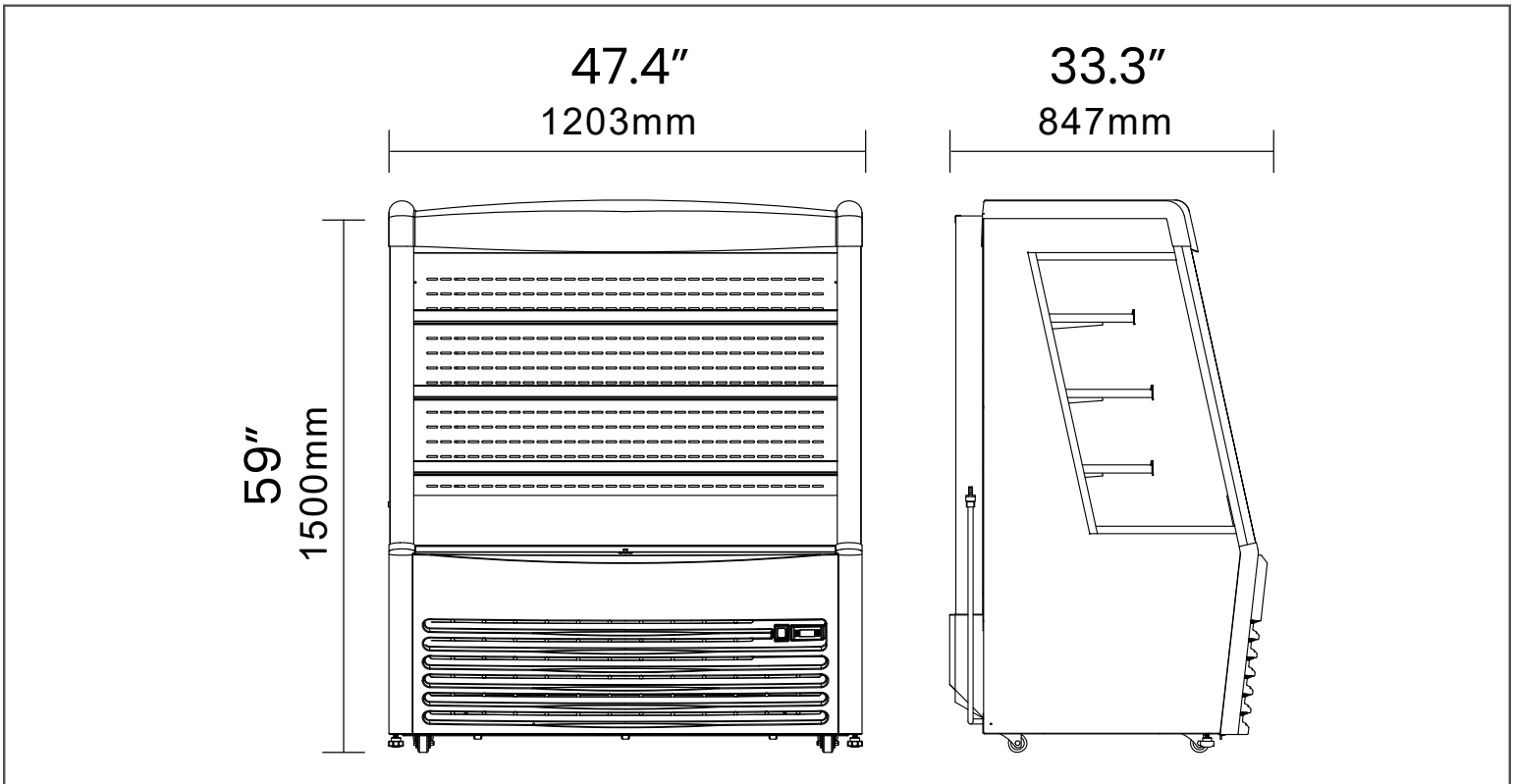
Authorized Dealer



TECHNICAL SPECIFICATION

Item	48272
Model	RS-CN-0490
Type	Black
Capacity	426 L / 15.04 cu.ft.
Temperature Range	2 - 10°C / 35.6 - 50°F
Max Ambient Temp Rating	24°C / 75°F
Electrical	110-120V / 60Hz / 1
Power	1300 W
Refrigerant	R290
Net Weight	356 lbs. (161.5 kg)
Net Dimensions (WDH)	47.3" x 33.3" x 59" (1203 x 847 x 1500 mm)
Gross Weight	400 lbs. (181.5 kg)
Gross Dimensions (WDH)	50" x 36.2" x 61" (1270 x 920 x 1550 mm)

TECHNICAL DRAWING



Dimensions rounded up to the nearest inch or millimeter. Specifications subject to change without notice.