



Chest Freezers

Models FR-CN-0155, 0198, 0230, 0412

Items 45294, 45295, 45296, 45297

Instruction Manual



Revised - 11/30/2020



Toll Free: 1-800-465-0234
Fax: 905-607-0234
Email: service@omcan.com
www.omcan.com

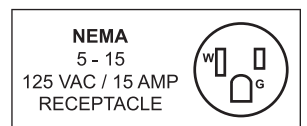


Table of Contents

Model FR-CN-0155 / Model FR-CN-0198
Model FR-CN-0230 / Model FR-CN-0412

Section	Page
Disclaimer -----	3
General Information -----	4 - 5
Safety and Warranty -----	5 - 6
Technical Specifications -----	7
Installation -----	7 - 8
Operation -----	8
Maintenance -----	8 - 9
Troubleshooting -----	9
Parts Breakdown -----	10 - 15
Electrical Schematics -----	16 - 18
Warranty Registration -----	19

Disclaimer

OMCAN IS NOT RESPONSIBLE FOR ANY DAMAGES DUE TO WATER LEAKS. WARRANTY FOR WATER LEAKS IS VOID IF THE AMBIENT ROOM TEMPERATURE EXCEEDS 75°F AND 55% RELATIVE HUMIDITY, AND THE APPLIANCE DRAIN IS NOT CONNECTED DIRECTLY TO A FLOOR DRAIN.

General Information

Omcan Manufacturing and Distributing Company Inc., Food Machinery of America, Inc. dba Omcan and Omcan Inc. are not responsible for any harm or injury caused due to any person's improper or negligent use of this equipment. The product shall only be operated by someone over the age of 18, of sound mind, and not under the influence of any drugs or alcohol, who has been trained in the correct operation of this machine, and is wearing authorized, proper safety clothing. Any modification to the machine voids any warranty, and may cause harm to individuals using the machine or in the vicinity of the machine while in operation.

CHECK PACKAGE UPON ARRIVAL

Upon receipt of an Omcan shipment please inspect for external damage. If no damage is evident on the external packaging, open carton to ensure all ordered items are within the box, and there is no concealed damage to the machine. If the package has suffered rough handling, bumps or damage (visible or concealed), please note it on the bill of lading before accepting the delivery and contact Omcan within 24 hours, so we may initiate a claim with the carrier. A detailed report on the extent of the damage caused to the machine must be filled out within three days, from the delivery date shown in the shipping documents. Omcan has no recourse for damaged products that were shipped collect or third party.

Before operating any equipment, always read and familiarize yourself with all operation and safety instructions.

Omcan would like to thank you for purchasing this machine. It's of the utmost importance to save these instructions for future reference. Also save the original box and packaging for shipping the equipment if servicing or returning of the machine is required.

Omcan Fabrication et distribution Compañie Limité et Food Machinery d'Amérique, dba Omcan et Omcan Inc. ne sont pas responsables de tout dommage ou blessure causé du fait que toute personne ait utilisé cet équipement de façon irrégulière. Le produit ne doit être exploité que par quelqu'un de plus de 18 ans, saine d'esprit, et pas sous l'influence d'une drogue ou d'alcool, qui a été formé pour utiliser cette machine correctement, et est vêtu de vêtements de sécurité approprié. Toute modification de la machine annule toute garantie, et peut causer un préjudice à des personnes utilisant la machine ou des personnes à proximité de la machine pendant son fonctionnement.

VÉRIFIEZ LE COLIS DÈS RÉCEPTION

Dès réception d'une expédition d'Omcan veuillez inspecter pour dommages externes. Si aucun dommage n'est visible sur l'emballage externe, ouvrez le carton afin de s'assurer que tous les éléments commandés sont dans la boîte, et il n'y a aucun dommage dissimulé à la machine. Si le colis n'a subi aucune mauvaises manipulations, de bosses ou de dommages (visible ou cachée), notez-le sur le bond de livraison avant d'accepter la livraison et contactez Omcan dans les 24 heures qui suivent, pour que nous puissions engager une réclamation auprès du transporteur. Un rapport détaillé sur l'étendue des dommages causés à la machine doit être rempli dans un délai de trois jours, à compter de la date de livraison indiquée dans les documents d'expédition. Omcan n'a aucun droit de recours pour les produits endommagés qui ont été expédiés ou cueilli par un tiers transporteur.



General Information

Avant d'utiliser n'importe quel équipement, toujours lire et vous familiariser avec toutes les opérations et les consignes de sécurité.

Omcan voudrais vous remercier d'avoir choisi cette machine. Il est primordial de conserver ces instructions pour une référence ultérieure. Également conservez la boîte originale et l'emballage pour l'expédition de l'équipement si l'entretien ou le retour de la machine est nécessaire.

Omcan Empresa De Fabricacion Y Distribucion Inc. Y Maquinaria De Alimentos De America, Inc. dba Omcan y Omcan Inc. no son responsables de ningun daño o perjuicio causado por cualquier persona inadecuada o el uso descuidado de este equipo. El producto solo podra ser operado por una persona mayor de 18 años, en su sano juicio y no bajo alguna influencia de droga o alcohol, y que este ha sido entrenado en el correcto funcionamiento de esta máquina, y ésta usando ropa apropiada y autorizada. Cualquier modificación a la máquina anula la garantía y puede causar daños a las personas usando la máquina mientras esta en el funcionamiento.

REVISE EL PAQUETE A SU LLEGADA

Tras la recepcion de un envio Omcan favor inspeccionar daños externos. Si no hay daños evidentes en el empaque exterior, Habra el carton para asegurarse que todos los articulos solicitados estén dentro de la caja y no encuentre daños ocultos en la máquina. Si el paquete ha sufrido un manejo de poco cuidado, golpes o daños (visible o oculto) por favor anote en la factura antes de aceptar la entrega y contacte Omcan dentro de las 24 horas, de modo que podamos iniciar una reclamación con la compañía. Un informe detallado sobre los daños causados a la máquina debe ser llenado en el plazo de tres días, desde la fecha de entrega que se muestra en los documentos de envío. Omcan no tiene ningun recurso por productos dañados que se enviaron a recoger por terceros.

Antes de utilizar cualquier equipo, siempre lea y familiarizarse con todas las instrucciones de funcionamiento y seguridad.

Omcan le gustaría darle las gracias por la compra de esta máquina. Es de la mayor importancia para salvar estas instrucciones para futuras consultas. Además, guarda la caja original y el embalaje para el envío del equipo si servicio técnico o devolución de la máquina que se requiere.

Safety and Warranty

The appliance can be used by children aged from 8 years and above and persons with reduced physical, sensory or mental capabilities, or lack of experience and knowledge, if they have been given supervision or instruction concerning use of the appliance in a safe way and understand the hazards involved.

Children shall not play with the appliance.

Safety and Warranty

Cleaning and user maintenance shall not be made by children without supervision.

1 YEAR PARTS AND LABOUR WARRANTY

Within the warranty period, contact Omcan Inc. at 1-800-465-0234 to schedule an Omcan authorized service technician to repair the equipment locally.

Unauthorized maintenance will void the warranty. Warranty covers electrical and part failures, not improper use.

Please see <https://omcan.com/disclaimer> for complete info.

WARNING:

The packaging components are classified as normal solid urban waste and can therefore be disposed of without difficulty.

In any case, for suitable recycling, we suggest disposing of the products separately (differentiated waste) according to the current norms.

DO NOT DISCARD ANY PACKAGING MATERIALS IN THE ENVIRONMENT!

Technical Specifications

Model	FR-CN-0155	FR-CN-0198	FR-CN-0230	FR-CN-0412
Power	64.3W	67.5W	63.9W	106.6W
Freezer Capacity	156 L / 5.5 cu.ft.	204 L / 7.2 cu.ft.	230 L / 8.1 cu.ft.	412 L / 14.6 cu.ft.
Number of Doors	1			
Number of Baskets Included	1			
Max. Number of Baskets	3	4		
Temperature Range	≤ -18°C / ≤ -0.4°F			
Max Ambient Temp Rating	32°C / 90°F			
Refrigerant	R600a			R134a
Electrical	110V / 60Hz			
Weight	70.5 lbs. / 32 kgs.	79.4 lbs. / 36 kgs.	97 lbs. / 44 kgs.	141 lbs. / 64 kgs.
Packaging Weight	79.4 lbs. / 36 kgs.	90.4 lbs. / 41 kgs.	110.2 lbs. / 50 kgs.	165 lbs. / 75 kgs.
Dimensions	22" x 32.5" x 33" 559 x 826 x 838mm	22.3" x 40" x 33" 565 x 1016 x 838mm	25.5" x 43" x 32.6" 648 x 1092 x 828mm	27.6" x 60" x 32.5" 701 x 1524 x 826mm
Packaging Dimensions	23" x 34" x 34.3" 584 x 864 x 870mm	23" x 43" x 34.5" 584 x 1092 x 876mm	27" x 45.5" x 34.5" 686 x 1156 x 876mm	30.3" x 62.2" x 34.3" 770 x 1580 x 871mm
Item Number	45294	45295	45296	45297

Installation

TRANSPORTATION AND PLACEMENT

- When transporting the chest freezer from one place to another, the inclination of the cabinet should not exceed 45 degrees, for prevention against compressor or system damage.
- Before use, remove all the packing material. The back side of the cabinet should be more than 20cm away from the wall, both flank sides more than 20cm.
- The freezer should be put in well-ventilated, dry place. Don't use it under direct sunshine. The freezer should be kept away from water sink, heat source and any volatile, corrosive material.

POWER SOURCE AND TEST-RUNNING

- Specified capacity of the wire is 7A. Section squares of the wire is 0.82mm². Single line or compound lines are all allowed. The fuse of 2.5A specified electric current should be installed. (Power cord should be replaced with the same of 7A and 0.82mm², when it is damaged).
- Single-phase power supply, 60Hz, voltage range 98~132V. If the voltage is unstable, please install a voltage stabilizer with capacity above 1000W.

Installation

- Avoid turning on and off the power too frequently. If the power is turned off, wait an interval of 5 minutes before turning it on again.
- When the freezer will be out of use for a long time, disconnect the power first, then clean it. Please examine the circuit whether it is excellent before reuse.

Operation

OPERATION OF THE TEMPERATURE CONTROL KNOB

- The temperature in the cabinet can be controlled with the temperature control knob.
- The knob should be kept upright normally to adjust the temperature. FREEZING MAX is the strongest cooling position and is suitable for fast freezing. Do not keep the knob at this point for long.

FOOD STORAGE

- There must be space between the foods stored in the cabinet, between the foods and the inner surface of the cabinet, so as to keep good ventilation of cold air and freeze evenly. Do not put in any bottled or canned beverage with freezing point above the temperature in the cabinet when it is below zero.
- For foods that should be moisture-free or lose water easily, wrap them up with hermetical food bags or fresh films before putting in the cabinet for the sake of avoiding smell-mixing and reducing frosting.
- Storage of volatile and combustible gases, liquids such as strong alkalies, strong acids, petrol, etc. is forbidden.

Maintenance

- The freezer should be cleaned regularly. When cleaning, turn off the power, take out the foods in the cabinet, clean the inside using water or a little neutral detergent.
- Do not use boiling water, acid, chemical diluents, petrol and oil, or dirt-removing powder.
- Dry it after cleaning.
- Use light soap water when cleaning the door seal, apply a little of talcum powder on it after natural drying to extend its service life.
- Use soft cloth with water or a little detergent to clean the out surface. Note, keeping the power supply and lower part of connect wires away from water to avoid electricity leakage.
- Except common breakdowns, those who are not service technician should not take apart and repair the freezer on their own so as to avoid worsening the trouble. Unauthorized repair of electrical part such as compressor, temperature controller is forbidden.

DEFROSTING

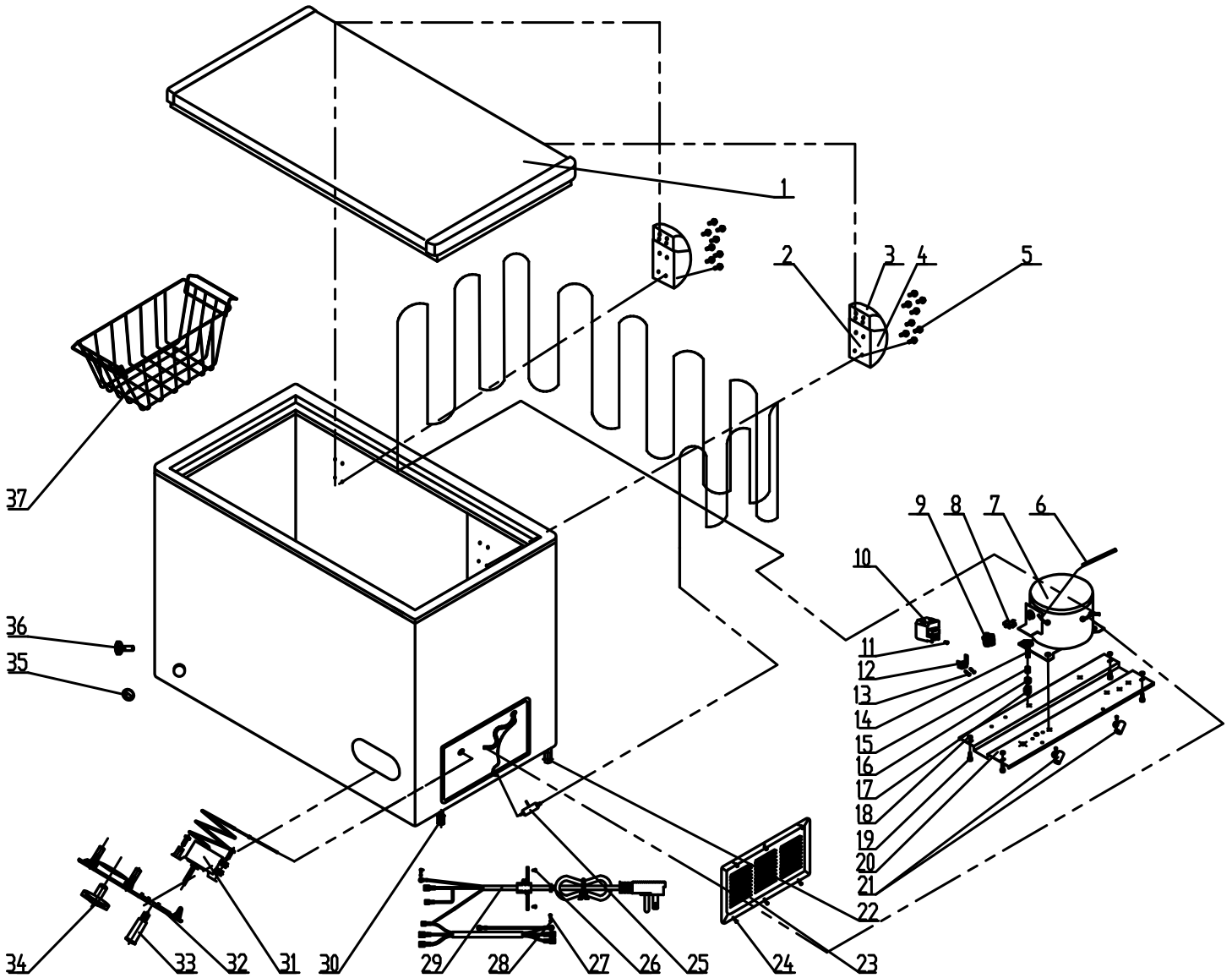
- Defrost for better freezing efficiency when the frost film in the cabinet is 4-5mm thick.
- When defrosting, turn off the power, take out the frozen foods, open the door for warming and melting. Use soft cloth to absorb water and clean it up.
- Do not use sharp metal tools such as steel brush to clean the frost film when defrosting so as to avoid evaporator damage.

Troubleshooting

Problem	Possible Cause	Solution
The indicator is not on. The compressor does not start.	The plug isn't connected to the socket really	Replug it.
	No power	Connect the socket with power.
The indicator is on, but the compressor doesn't work and buzzes only. The compressor stops a minute after start, and restart after a few minutes, and so repeatedly.	The power voltage is <98V.	Put a power-regulator more than 1000W power together.
	The power voltage is >132V.	
The compressor works normally, but the temperature in the cabinet lowers too slowly.	The door is opened too frequently	Reduce open times.
	The food in the cabinet is too much, and placed improperly	Place foods properly keep place between them for ventilation of cold air.
	The frost film is too thick.	Take out foods and defrost.
	The surface of the condenser is too dirty.	Stop and clean the condenser.
	The door seals badly.	Adjust the door seal.
The noise is too loud.	The freezer is placed unstably.	Place it stably.
	The fixing of the freezer is loose.	Tighten the fixing.
	There's contact between pipes.	Separate them.

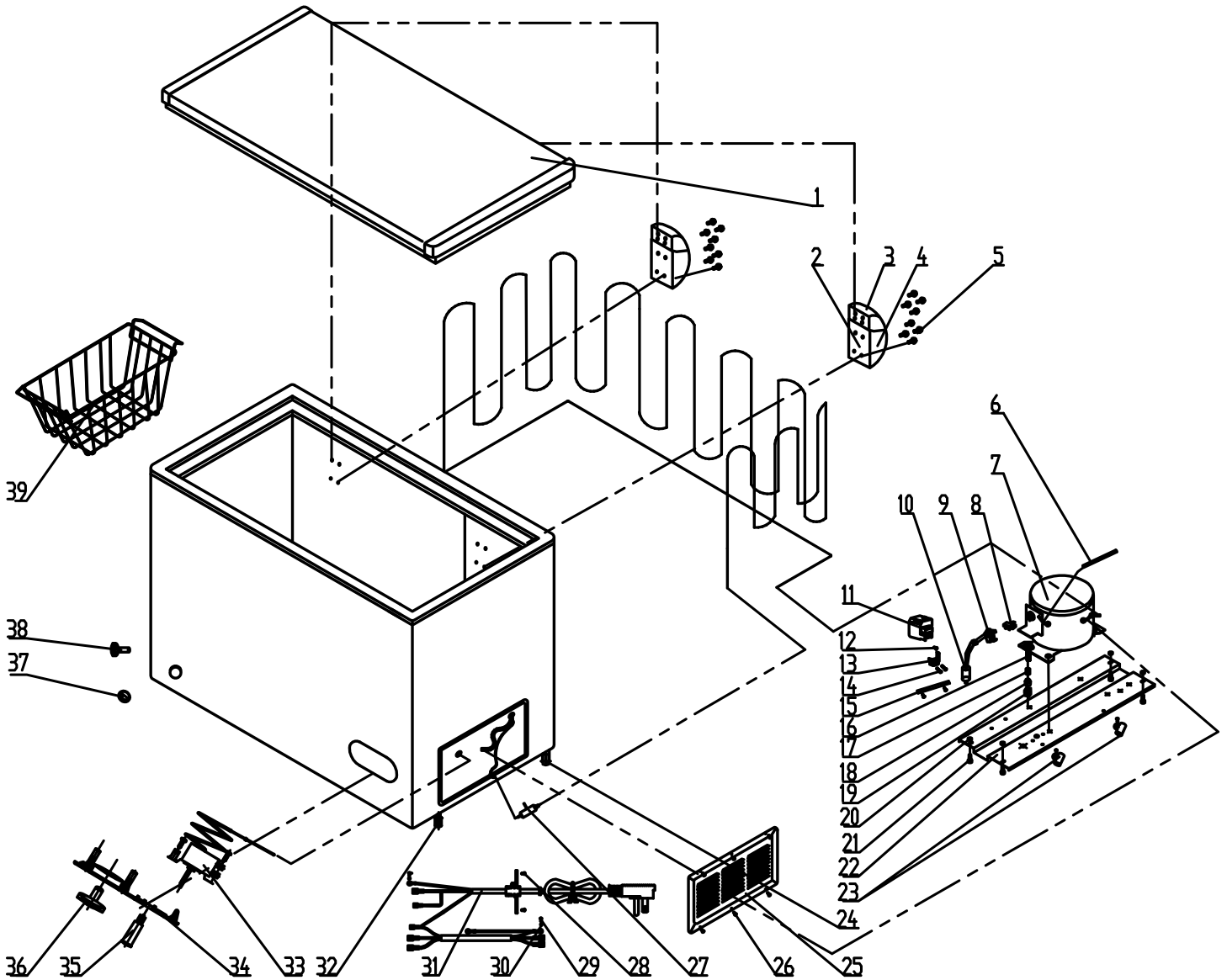
Parts Breakdown

Model FR-CN-0155 45294



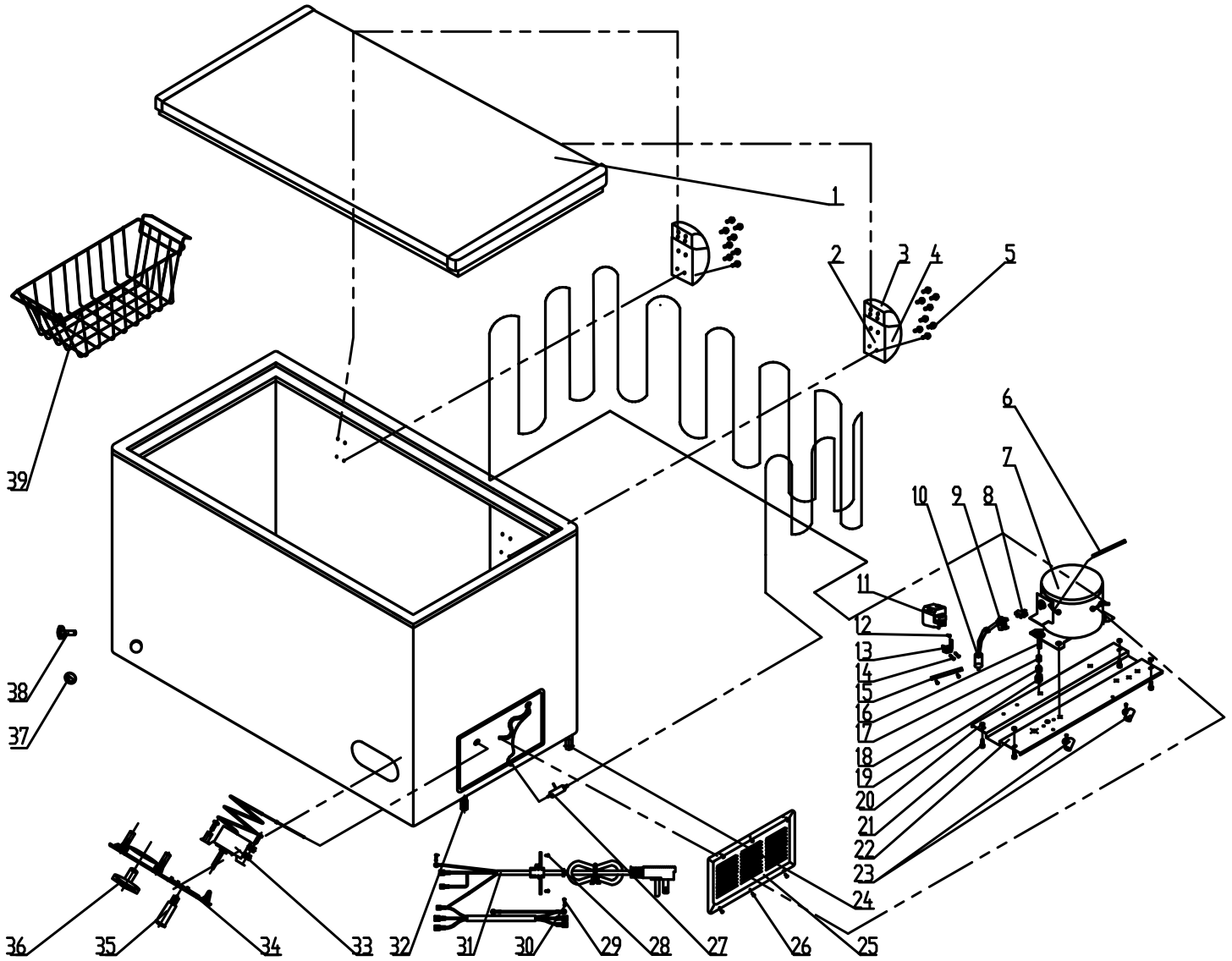
Parts Breakdown

Model **FR-CN-0198** 45295



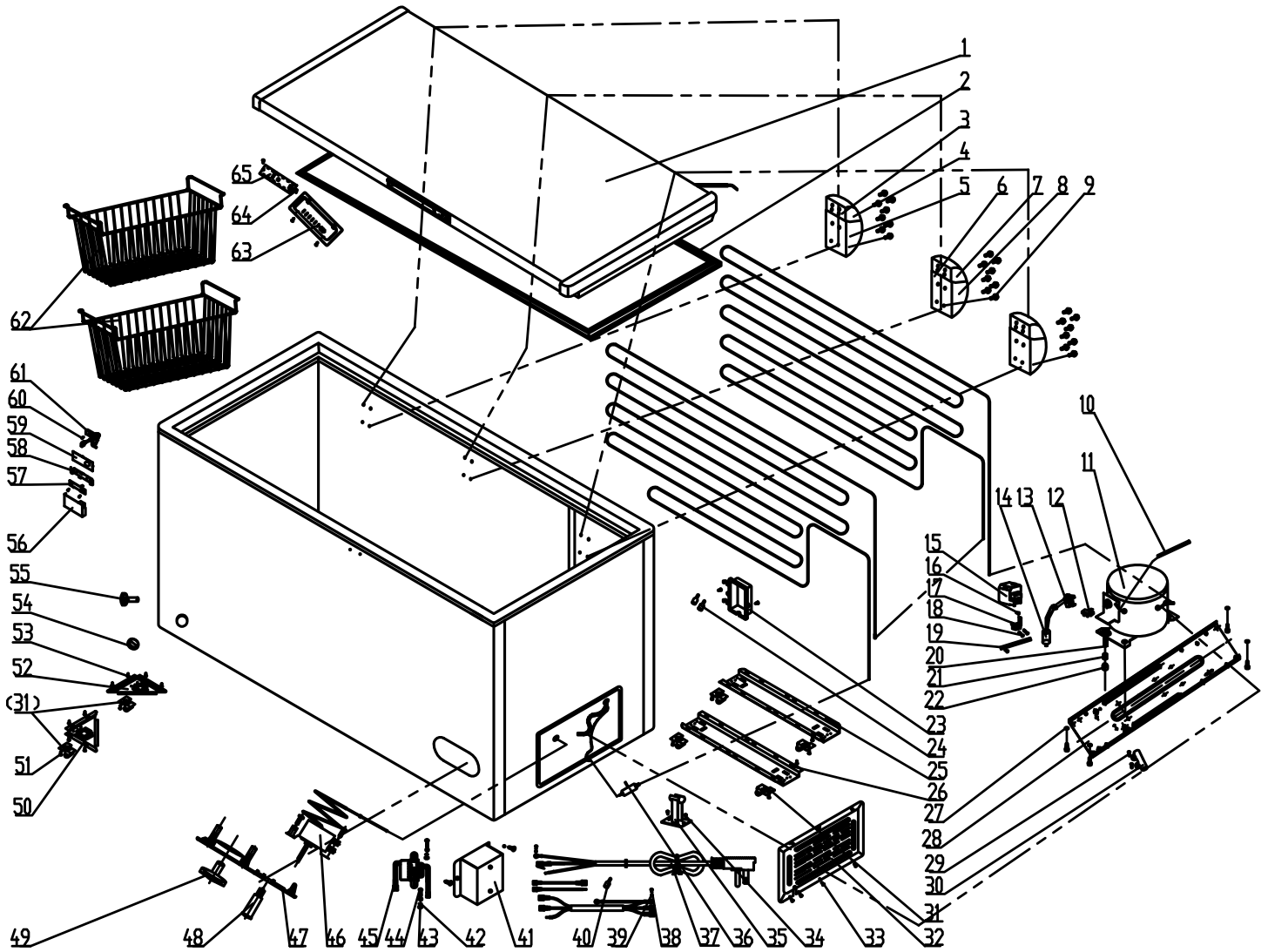
Parts Breakdown

Model FR-CN-0230 45296



Parts Breakdown

Model FR-CN-0412 45297



Parts Breakdown

Model FR-CN-0155 45294

Item No.	Description	Position	Item No.	Description	Position	Item No.	Description	Position
60039	Door for 45294	1	60052	Compressor Support for 45294	14	60065	Screw for 45294	27
60040	Gemel (Door Hinge) for 45294	2	60053	Suction Tube Sleeve for 45294	15	60066	Spring Washer for 45294	28
60041	Upper Cover for 45294	3	60054	Rubber Spacer for 45294	16	60067	Power Cord for 45294	29
60042	Bottom Cover for 45294	4	60055	Screw for 45294	17	60068	Front Foot for 45294	30
60043	Screw for 45294	5	60056	Screw for 45294	18	79804	Thermostat for 45294	31
60044	Compressor Pipe for 45294	6	60057	Self Tapping Screw for 45294	19	60070	Control Panel for 45294	32
60045	Compressor for 45294	7	60058	Compressor Support for 45294	20	60071	Indicator Lamp for 45294	33
60046	Overload Capacity for 45294	8	60059	Wire Clip for 45294	21	60072	Knob of Temp-Control for 45294	34
60047	PTC Starting Relay for 45294	9	60060	Castor for 45294	22	60073	Drain Plug for 45294	35
60048	Cover for 45294	10	60061	Compressor Cover for 45294	23	60074	Drain Hole Stopper for 45294	36
60049	Fastening Screw for 45294	11	60062	Self Tapping Screw for 45294	24	60075	Basket for 45294	37
60050	Cover for 45294	12	60063	Filter for 45294	25			
60051	Fastening Screw for 45294	13	60064	Screw for 45294	26			

Model FR-CN-0198 45295

Item No.	Description	Position	Item No.	Description	Position	Item No.	Description	Position
60000	Door for 45295	1	60013	Fastening Screw for 45295	14	60026	Filter for 45295	27
60001	Gemel for 45295	2	60014	Capacitor Bracket for 45295	15	60027	Screw for 45295	28
60002	Upper Cover for 45295	3	60015	Compressor Support for 45295	16	60028	Screw for 45295	29
60003	Bottom Cover for 45295	4	60016	Suction Tube Sleeve for 45295	17	60029	Spring Washer for 45295	30
60004	Screw for 45295	5	60017	Rubber Spacer for 45295	18	60030	Power Cord for 45295	31
60005	Compressor Pipe for 45295	6	60018	Screw for 45295	19	60031	Front Foot for 45295	32
60006	Compressor for 45295	7	60019	Screw for 45295	20	60032	Thermostat for 45295	33
60007	Overload Protector for 45295	8	60020	Self Tapping Screw for 45295	21	60033	Control Panel for 45295	34
60008	PTC Starting Relay for 45295	9	60021	Compressor Support for 45295	22	60034	Indicator Lamp for 45295	35
60009	Running Capacitor for 45295	10	60022	Wire Clip for 45295	23	60035	Knob of Temp-Control for 45295	36
60010	Cover for 45295	11	60023	Castor for 45295	24	60036	Drain Plug for 45295	37
60011	Fastening Screw for 45295	12	60024	Compressor Cover for 45295	25	60037	Drain Hole Stopper for 45295	38
60012	Cover for 45295	13	60025	Self Tapping Screw for 45295	26	60075	Basket for 45295	39



Parts Breakdown

Model FR-CN-0230 45296

Item No.	Description	Position	Item No.	Description	Position	Item No.	Description	Position
79960	Door for 45296	1	79973	Fastening Screw for 45296	14	79986	Filter for 45296	27
79961	Gemel for 45296	2	79974	Capacitor Bracket for 45296	15	79987	Screw for 45296	28
79962	Upper Cover for 45296	3	79975	Compressor Support for 45296	16	79988	Screw for 45296	29
79963	Bottom Cover for 45296	4	79976	Suction Tube Sleeve for 45296	17	79989	Spring Washer for 45296	30
79964	Screw for 45296	5	79977	Rubber Spacer for 45296	18	79990	Power Cord for 45296	31
79965	Compressor Pipe for 45296	6	79978	Screw for 45296	19	79991	Front Foot for 45296	32
79966	Compressor for 45296	7	79979	Screw for 45296	20	79992	Thermostat for 45296	33
79967	Overload Protector for 45296	8	79980	Self Tapping Screw for 45296	21	79993	Control Panel for 45296	34
79968	PTC Starting Relay for 45296	9	79981	Compressor Support for 45296	22	79994	Indicator Lamp for 45296	35
79969	Running Capacitor for 45296	10	79982	Wire Clip for 45296	23	79995	Knob of Temp-Control for 45296	36
79970	Cover for 45296	11	79983	Castor for 45296	24	79996	Drain Plug for 45296	37
79971	Fastening Screw for 45296	12	79984	Compressor Cover for 45296	25	79997	Drain Hole Stopper for 45296	38
79972	Cover for 45296	13	79985	Self Tapping Screw for 45296	26	79998	Basket for 45296	39

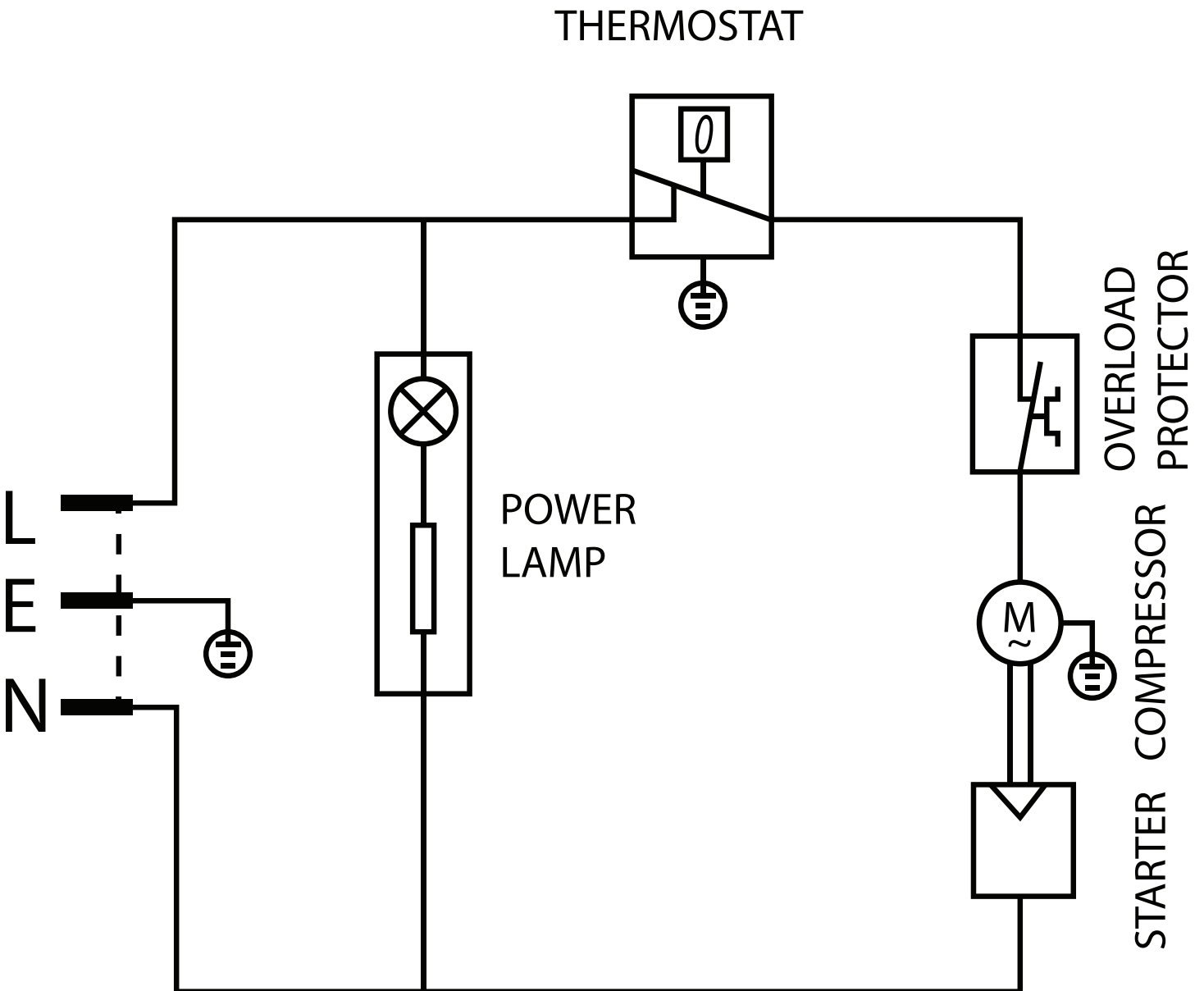
Model FR-CN-0412 45297

Item No.	Description	Position	Item No.	Description	Position	Item No.	Description	Position
79895	Door for 45297	1	79915	Suction Tube Sleeve for 45297	21	79935	Transformer Installation Box for 45297	41
79896	Door Seal for 45297	2	79916	Rubber Spacer for 45297	22	79936	Spring Washer for 45297	42
79897	Door Left and Right Hinge for 45297	3	79917	Terminal Box for 45297	23	79937	Nut for 45297	43
79898	Left and Right Upper Hinge Cover (White) for 45297	4	79918	Close-End Wire Connector for 45297	24	79938	Screw for 45297	44
79899	Left and Right Lower Hinge Cover (White) for 45297	5	79919	Back Channel Iron for 45297	25	79939	Light Transformer for 45297	45
79900	Door Middle Hinge for 45297	6	79920	Front Channel Iron for 45297	26	79940	Thermostat for 45297	46
79901	Middle Upper Hinge Cover (White) for 45297	7	79921	Nut for 45297	27	79941	Control Panel for 45297	47
79902	Middle Lower Hinge Cover (White) for 45297	8	79922	Compressor Support for 45297	28	79942	Indicator Lamp for 45297	48
79903	Screw for 45297	9	79923	4x16 for 45297	29	79943	Knob of Temp-Control for 45297	49
79904	Compressor Pipe for 45297	10	79924	Wire Clip for 45297	30	79944	Front Triangle for 45297	50
79905	Compressor for 45297	11	79925	Castor for 45297	31	79945	Screw for 45297	51
79906	Overload Protector for 45297	12	79926	Compressor Cover for 45297	32	79946	Back Triangle for 45297	52
79907	PTC Starting Relay for 45297	13	79927	Triangle Lock Screw for 45297	33	79947	Self-Tapping Screw for 45297	53
79908	Running Capacitor for 45297	14	79928	Screw for 45297	34	79948	Drain Plug for 45297	54
79909	Cover for 45297	15	79929	Filter Support for 45297	35	79949	Drain Hole Stopper for 45297	55
79910	Cable Clamp Screw for 45297	16	79930	Filter for 45297	36	79956	Basket for 45297	56
79911	Cable Clamp for 45297	17	79931	Power Cord for 45297	37	79957	LED Light Cover for 45297	57
79912	Fixing Screw for 45297	18	79932	Screw for 45297	38	79958	Self-Tapping Screw for 45297	58
79913	Capacitor Bracket for 45297	19	79933	Spring Washer for 45297	39	79959	LED Light Board for 45297	59
79914	Fixing Screw for 45297	20	79934	Close-End Wire Connector for 45297	40			

Electrical Schematics

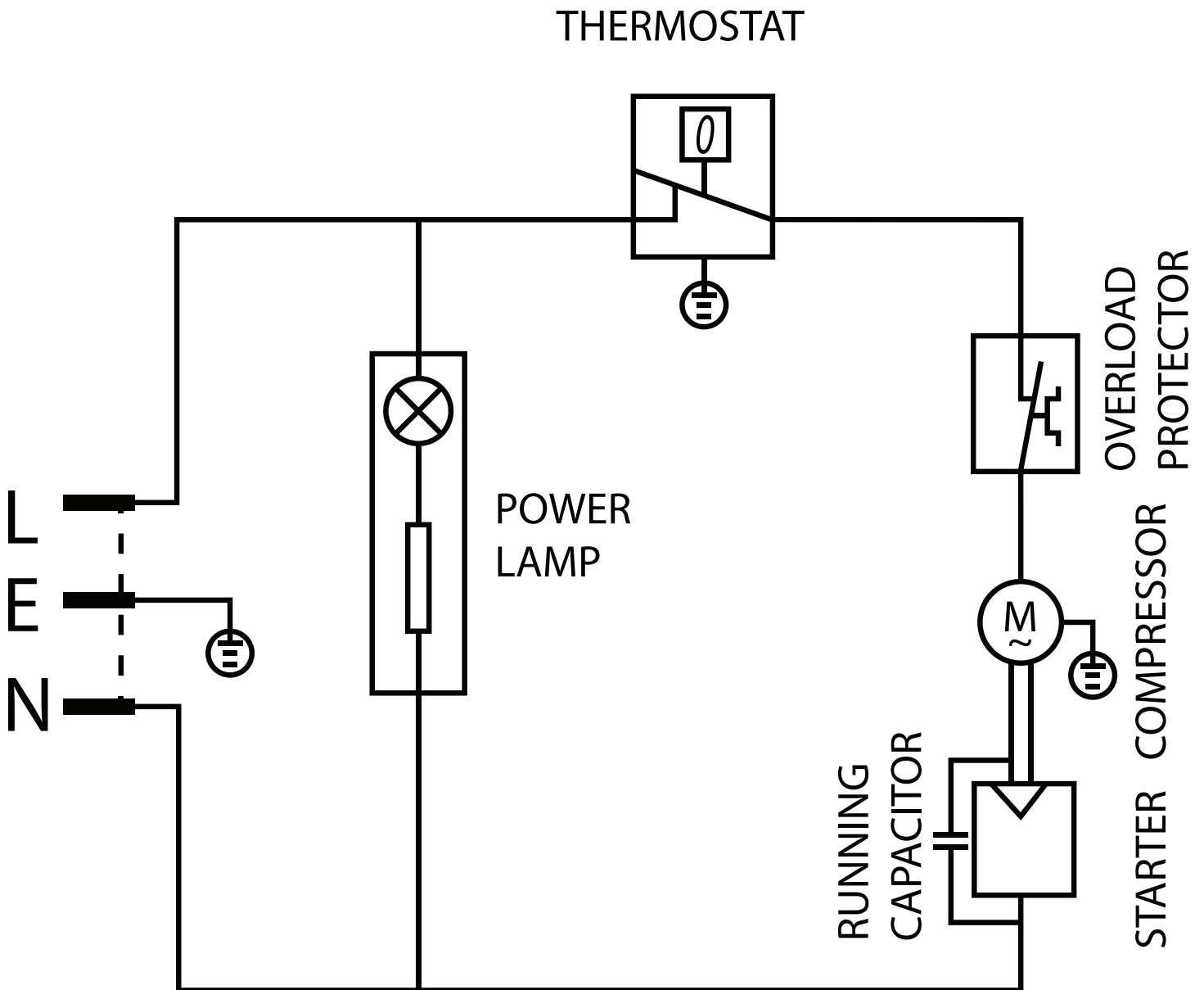
Model FR-CN-0155 45294

Model FR-CN-0198 45295



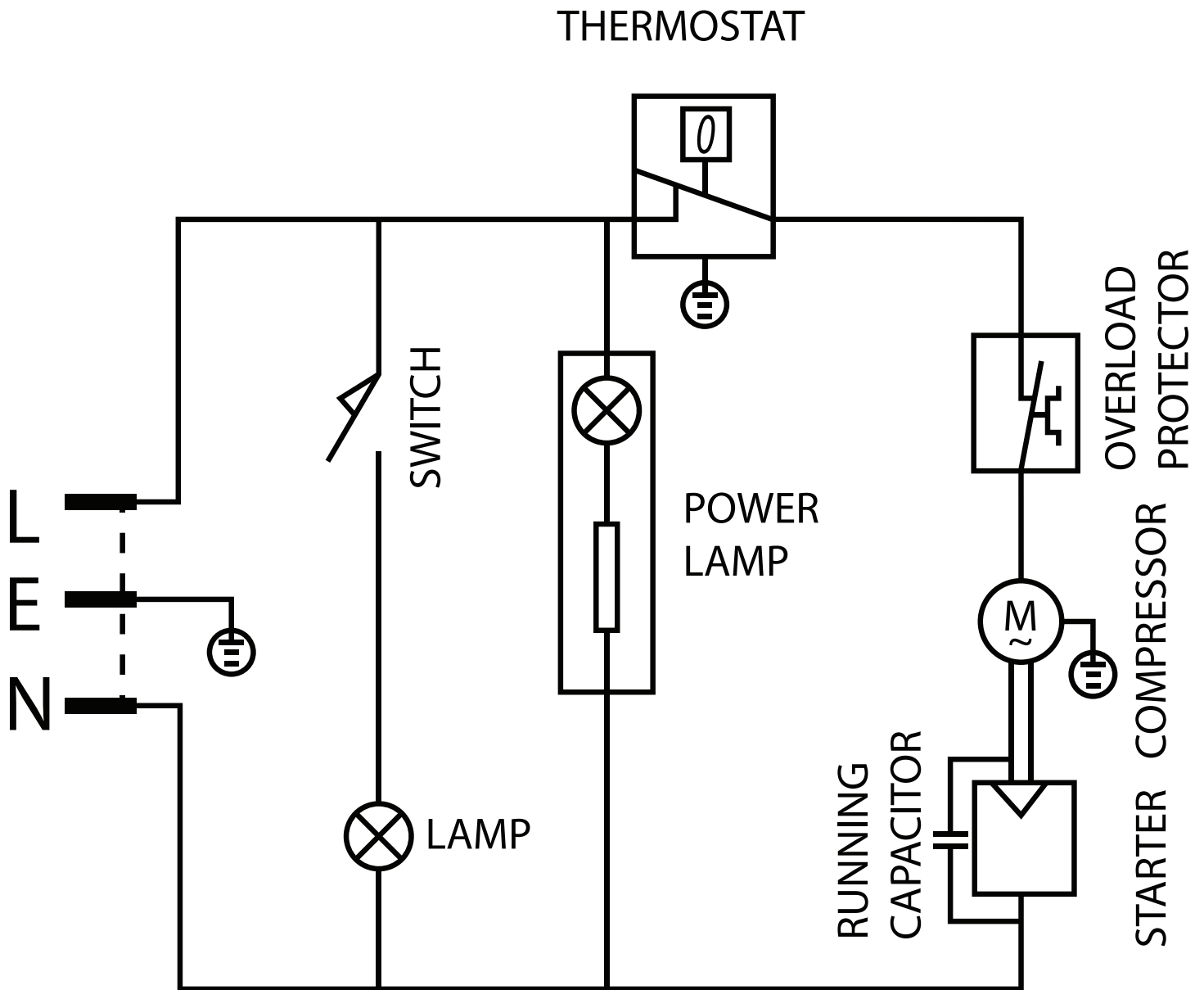
Electrical Schematics

Model FR-CN-0230 45296



Electrical Schematics

Model FR-CN-0412 45297





Warranty Registration

Thank you for purchasing an Omcan product. To register your warranty for this product, complete the information below, tear off the card at the perforation and then send to the address specified below. You can also register online by visiting:

Merci d'avoir acheté un produit Omcan. Pour enregistrer votre garantie pour ce produit, complétez les informations ci-dessous, détachez la carte au niveau de la perforation, puis l'envoyer à l'adresse spécifiée ci-dessous. Vous pouvez également vous inscrire en ligne en visitant:

Gracias por comprar un producto Omcan usted. Para registrar su garantía para este producto, complete la información a continuación, cortar la tarjeta en la perforación y luego enviarlo a la dirección indicada a continuación. También puede registrarse en línea en:

<https://omcan.com/warranty-registration/>

For mailing in Canada

Pour postale au Canada

Por correo en Canadá

OMCAN

PRODUCT WARRANTY REGISTRATION

3115 Pepper Mill Court,

Mississauga, Ontario

Canada, L5L 4X5

For mailing in the US

Pour diffusion aux États-Unis

Por correo en los EE.UU.

OMCAN

PRODUCT WARRANTY REGISTRATION

4450 Witmer Industrial Estates, Unit 4,

Niagara Falls, New York

USA, 14305

or email to: service@omcan.com



Purchaser's Information

Name: _____

Address: _____

City: _____ Province or State: _____ Postal or Zip: _____

Country: _____

Dealer from which Purchased: _____

Dealer City: _____ Dealer Province or State: _____

Invoice: _____

Model Name: _____ Model Number: _____

Machine Description: _____

Date of Purchase (MM/DD/YYYY): _____

Would you like to extend the warranty? Yes No

Company Name: _____

Telephone: _____

Email Address: _____

Type of Company:

Restaurant Bakery Deli

Butcher Supermarket Caterer

Institution (specify): _____

Other (specify): _____

Serial Number: _____

Date of Installation (MM/DD/YYYY): _____

Thank you for choosing Omcan | Merci d'avoir choisi Omcan | Gracias por elegir Omcan



Since 1951 Omcan has grown to become a leading distributor of equipment and supplies to the North American food service industry. Our success over these many years can be attributed to our commitment to strengthen and develop new and existing relationships with our valued customers and manufacturers. Today with partners in North America, Europe, Asia and South America, we continually work to improve and grow the company. We strive to offer customers exceptional value through our qualified local sales and service representatives who provide convenient access to over 5,000 globally sourced products.

Depuis 1951 Omcan a grandi pour devenir un des “leaders” de la distribution des équipements et matériel pour l’industrie des services alimentaires en Amérique du Nord. Notre succès au cours de ces nombreuses années peut être attribué à notre engagement à renforcer et à développer de nouvelles et existantes relations avec nos clients et les fabricants de valeur. Aujourd’hui avec des partenaires en Amérique du Nord, Europe, Asie et Amérique du Sud, nous travaillons continuellement à améliorer et développer l’entreprise. Nous nous efforçons d’offrir à nos clients une valeur exceptionnelle grâce à nos ventes locales qualifiées et des représentants de service qui offrent un accès facile à plus de 5000 produits provenant du monde entier.

Desde 1951 Omcan ha crecido hasta convertirse en un líder en la distribución de equipos y suministros de alimentos en América del Norte industria de servicios. Nuestro éxito en estos años se puede atribuir a nuestro compromiso de fortalecer y desarrollar nuevas relaciones existentes con nuestros valiosos clientes y fabricantes. Hoy con socios de América del Norte, Europa, Asia y América del Sur, que trabajan continuamente para mejorar y crecer la empresa. Nos esforzamos por ofrecer a nuestros clientes valor excepcional a través de nuestro local de ventas y representantes de los servicios que proporcionan un fácil acceso a más de 5,000 productos con origen a nivel mundial.

