



Imbera Refrigeration and Freezers

Models VR08, VR06, VR12, VR10, G319 HC, G319, VRD26, VRD37, VRD37 HC BW, VRD43, G372, VR1.5, VR04, G372 BLACK, VFS24
Items 41215, 41214, 41217, 41216, 45445, 41161, 41219, 42862, 45249, 41218, 41220, 45800, 45801, 45250, 41221

Instruction Manual

41215



41219



41220



Revised - 08/16/2022



Toll Free: 1-800-465-0234
Fax: 905-607-0234
Email: service@omcan.com
www.omcan.com

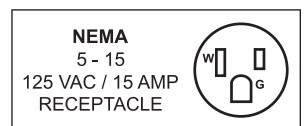


Table of Contents

Model VR08 / Model VR06 / Model VR12 / Model VR10 / Model G319 HC
Model G319 / Model VRD26 / Model VRD37 / Model VRD37 HC BW
Model VRD43 / Model G372 / Model VR1.5 / Model VR04 / Model G372 BLACK
Model VFS24

Section	Page
Disclaimer -----	3
General Information -----	4 - 5
Safety and Warranty -----	5 - 8
Technical Specifications -----	8 - 11
Installation -----	11 - 16
Operation -----	16 - 22
Maintenance -----	22 - 23
Troubleshooting -----	24 - 26
Parts Breakdown -----	27 - 90
Electrical Schematics -----	91 - 103
Notes -----	104 - 106
Warranty Registration -----	107

OMCAN IS NOT RESPONSIBLE FOR DIMINISHED COOLING OR ANY DAMAGES DUE TO WATER LEAKS. WARRANTY IS VOID IF THE AMBIENT ROOM TEMPERATURE EXCEEDS 75°F AND 55% RELATIVE HUMIDITY, AND THE APPLIANCE DRAIN IS NOT CONNECTED DIRECTLY TO A FLOOR DRAIN.

General Information

Omcan Manufacturing and Distributing Company Inc., Food Machinery of America, Inc. dba Omcan and Omcan Inc. are not responsible for any harm or injury caused due to any person's improper or negligent use of this equipment. The product shall only be operated by someone over the age of 18, of sound mind, and not under the influence of any drugs or alcohol, who has been trained in the correct operation of this machine, and is wearing authorized, proper safety clothing. Any modification to the machine voids any warranty, and may cause harm to individuals using the machine or in the vicinity of the machine while in operation.

CHECK PACKAGE UPON ARRIVAL

Upon receipt of an Omcan shipment please inspect for external damage. If no damage is evident on the external packaging, open carton to ensure all ordered items are within the box, and there is no concealed damage to the machine. If the package has suffered rough handling, bumps or damage (visible or concealed), please note it on the bill of lading before accepting the delivery and contact Omcan within 24 hours, so we may initiate a claim with the carrier. A detailed report on the extent of the damage caused to the machine must be filled out within three days, from the delivery date shown in the shipping documents. Omcan has no recourse for damaged products that were shipped collect or third party.

Before operating any equipment, always read and familiarize yourself with all operation and safety instructions.

Omcan would like to thank you for purchasing this machine. It's of the utmost importance to save these instructions for future reference. Also save the original box and packaging for shipping the equipment if servicing or returning of the machine is required.

Omcan Fabrication et distribution Compañie Limité et Food Machinery d'Amérique, dba Omcan et Omcan Inc. ne sont pas responsables de tout dommage ou blessure causé du fait que toute personne ait utilisé cet équipement de façon irrégulière. Le produit ne doit être exploité que par quelqu'un de plus de 18 ans, saine d'esprit, et pas sous l'influence d'une drogue ou d'alcool, qui a été formé pour utiliser cette machine correctement, et est vêtu de vêtements de sécurité approprié. Toute modification de la machine annule toute garantie, et peut causer un préjudice à des personnes utilisant la machine ou des personnes à proximité de la machine pendant son fonctionnement.

VÉRIFIEZ LE COLIS DÈS RÉCEPTION

Dès réception d'une expédition d'Omcan veuillez inspecter pour dommages externes. Si aucun dommage n'est visible sur l'emballage externe, ouvrez le carton afin de s'assurer que tous les éléments commandés sont dans la boîte, et il n'y a aucun dommage dissimulé à la machine. Si le colis n'a subi aucune mauvaises manipulations, de bosses ou de dommages (visible ou cachée), notez-le sur le bond de livraison avant d'accepter la livraison et contactez Omcan dans les 24 heures qui suivent, pour que nous puissions engager une réclamation auprès du transporteur. Un rapport détaillé sur l'étendue des dommages causés à la machine doit être rempli dans un délai de trois jours, à compter de la date de livraison indiquée dans les documents d'expédition. Omcan n'a aucun droit de recours pour les produits endommagés qui ont été expédiés ou cueilli par un tiers transporteur.



General Information

Avant d'utiliser n'importe quel équipement, toujours lire et vous familiariser avec toutes les opérations et les consignes de sécurité.

Omcan voudrais vous remercier d'avoir choisi cette machine. Il est primordial de conserver ces instructions pour une référence ultérieure. Également conservez la boîte originale et l'emballage pour l'expédition de l'équipement si l'entretien ou le retour de la machine est nécessaire.

Omcan Empresa De Fabricacion Y Distribucion Inc. Y Maquinaria De Alimentos De America, Inc. dba Omcan y Omcan Inc. no son responsables de ningun daño o perjuicio causado por cualquier persona inadecuada o el uso descuidado de este equipo. El producto solo podra ser operado por una persona mayor de 18 años, en su sano juicio y no bajo alguna influencia de droga o alcohol, y que este ha sido entrenado en el correcto funcionamiento de esta máquina, y ésta usando ropa apropiada y autorizada. Cualquier modificación a la máquina anula la garantía y puede causar daños a las personas usando la máquina mientras esta en el funcionamiento.

REVISE EL PAQUETE A SU LLEGADA

Tras la recepcion de un envio Omcan favor inspeccionar daños externos. Si no hay daños evidentes en el empaque exterior, Habra el carton para asegurarse que todos los articulos solicitados estén dentro de la caja y no encuentre daños ocultos en la máquina. Si el paquete ha sufrido un manejo de poco cuidado, golpes o daños (visible o oculto) por favor anote en la factura antes de aceptar la entrega y contacte Omcan dentro de las 24 horas, de modo que podamos iniciar una reclamación con la compañía. Un informe detallado sobre los daños causados a la máquina debe ser llenado en el plazo de tres días, desde la fecha de entrega que se muestra en los documentos de envío. Omcan no tiene ningun recurso por productos dañados que se enviaron a recoger por terceros.

Antes de utilizar cualquier equipo, siempre lea y familiarizarse con todas las instrucciones de funcionamiento y seguridad.

Omcan le gustaría darle las gracias por la compra de esta máquina. Es de la mayor importancia para salvar estas instrucciones para futuras consultas. Además, guarda la caja original y el embalaje para el envío del equipo si servicio técnico o devolución de la máquina que se requiere.

Safety and Warranty

READ ALL INSTRUCTIONS BEFORE USING

WARNING!

Use this cooler only for the purpose that it was made for as described in this manual. Proper installation, care and maintenance are essential for perfect operation and maximum energy efficiency. In the event you find a problem not described in this manual, do not attempt to solve it by yourself; call Omcan's Technical Support Services for assistance.

Safety and Warranty

IMPORTANT

We strongly recommend you ask for assistance from our Technical Support Services or from our qualified technicians for any failure, problem or malfunction of this cooler.

SAFETY PRECAUTIONS

- Before using, this cooler must be installed and placed following the instructions contained in this manual. Save these instructions for future reference.
- Do not allow individuals to climb, stand on, or hang from the outer portion of the cooler, on the shelves or inside the cabinet. This may cause the cooler to tip over and damage the device or cause serious injuries or death.
- Do not touch the inner surfaces of the cooler when hands are damp or wet. Skin may adhere to these extremely cold surfaces.
- Do not store or use solvents, flammable vapors or liquids in the vicinity of this or other electrical devices.
- Unplug the cooler before cleaning or performing any kind of repair.
- Wipe up any spills inside the cabinet immediately.
- If the cooler is equipped with power switches, turn the cooler on and off through these buttons. If the cooler does not have them, shut down directly from the plug, but never pull the cable to do so. For any maintenance you must disconnect it.
- Children must be supervised to make sure they do not play with the cooler.
- This cooler is not designed to be used by people with physical or intellectual disabilities, children or people with no experience and knowledge of use, unless they are supervised by an adult who has properly read and understood this manual and looks out for their safety.
- Do not use or operate this device if its use has been excessive, misused, altered or modified from manufacturer's original specifications.
- Be extremely careful when closing doors, keeping fingers out of the clearances between the doors and cabinet, to prevent injury.
- This cooler contains a charge of refrigerant at a pressure determined by the type of refrigerant used and the internal volume. The installation and welding of the piping should be treated by a service technician authorized by Omcan who is properly trained in the use and management of refrigerants.
- Never stack two or more coolers; leveling feet are not designed for this purpose, and doing so compromises use safety. Stacking of one cooler, only, on top of the same model is approved if using pods, skids or pallets, and supported by the cabinet corners only.
- Refrigeration system on this cooler must not be damaged or manipulated by untrained personnel

AVOID RISKS

- If power cord or other electronic components are damaged, only the manufacturer or an authorized technician may repair it to avoid danger.

PRECAUTION

- This cooler uses highly flammable HC refrigerant. Do not perforate cooling system tubing. This may cause fire or explosion.
- Do not store explosive substances, such as spray cans with flammable propellant, inside cooler.



Safety and Warranty

WARNING

- Do not obstruct cooler venting grills, it is important to maintain adequate air flow.
- Do not use mechanical devices or other means to speed up deicing process, other than those recommended by the manufacturer.
- Do not damage cooling circuit.
- Do not use electrical equipment inside cooler's storage compartment except for types recommended by the manufacturer.
- In order to reduce flammability danger, cooler installation must be performed by qualified personnel only.

DANGER

- Fire or explosion risk. This cooler uses highly flammable HC refrigerant. Any cooler repairs must be performed by qualified personnel.

IMPORTANT

- Omcan reserves the right to perform product improvements. Design and specifications are subject to change without notice.

OMCAN IS NOT RESPONSIBLE FOR ANY DAMAGES DUE TO WATER LEAKS. WARRANTY FOR WATER LEAKS IS VOID IF THE AMBIENT ROOM TEMPERATURE EXCEEDS 75°F AND 55% RELATIVE HUMIDITY, AND THE APPLIANCE DRAIN IS NOT CONNECTED DIRECTLY TO A FLOOR DRAIN.

RESIDENTIAL USERS: Vendor assumes no liability for parts or labor coverage for component failure or other damages resulting from installation in non-commercial or residential applications. The right is reserved to deny shipment for residential usage; if this occurs, you will be notified as soon as possible.

3 YEARS PARTS AND LABOUR WARRANTY & 5 YEARS PARTS WARRANTY ON COMPRESSOR ONLY

Within the warranty period, contact Omcan Inc. at 1-800-465-0234 to schedule an Omcan authorized service technician to repair the equipment locally.

Unauthorized maintenance will void the warranty. Warranty covers electrical and part failures, not improper use.

Please see <https://omcan.com/disclaimer> for complete info.

WARNING:

The packaging components are classified as normal solid urban waste and can therefore be disposed of without difficulty.

In any case, for suitable recycling, we suggest disposing of the products separately (differentiated waste) according to the current norms.

Safety and Warranty

DO NOT DISCARD ANY PACKAGING MATERIALS IN THE ENVIRONMENT!

Technical Specifications

VR SERIES

Model	VR08	VR06	VR12	VR10	VR1.5	VR04
Type	Refrigerator					
Volume	220 L 7.7 cu. ft.	144.4 L 5.1 cu. ft.	328.2 L 11.5 cu. ft.	253.4 L 8.9 cu. ft.	42.4 L 1.5 cu. ft.	113.3 L 4 cu. ft.
Number of Doors	1					
Number of Shelves	5	3	4	3		
Shelf Size	15.1" x 14.6" 384 x 371mm	17.7" x 6.2" 450 x 157mm 17.1" x 17.3" 435 x 440mm	20.9" x 17.3" 530 x 440mm		9.9" x 11" 251 x 279mm	15.3" x 14.6" 387 x 371mm
Capacity	20 oz. - 100 12 oz. - 200	20 oz. - 84 12 oz. - 132	20 oz. - 168 12 oz. - 384	20 oz. - 126 12 oz. - 288	20 oz. - 15	20 oz. - 50
Temperature Range	0 to 7°C / 32 to 44.6°F					
Max Ambient Temp Rating	24°C / 75°F					
Energy Consumption	2.12 kWh/day*	1.74 kWh/day*	2.39 kWh/day*	1.74 kWh/day*	1.07 kWh/day*	1.21 kWh/day*
Electrical	115V / 60Hz / 1					
Power	1/6 HP	1/8 HP	1/6 HP	1/8 HP	1/10 HP	1/6 HP
Current	3A	2.5A	4A	3A	1.7A	2.1A
Weight	163.1 lbs. 74 kgs.	126.8 lbs. 57.5 kgs.	183 lbs. 83 kgs.	166.4 lbs. 82 kgs.	58 lbs. 26.3 kgs.	96.3 lbs. 43.7 kgs.
Item Number	41215	41214	41217	41216	45800	45801



Technical Specifications

G3 SERIES

Model	G319 HC	G319	G372	G372 BLACK
Type	Refrigerator			
Volume	543.6 L / 19.2 cu. ft.		2004.8 L / 70.8 cu. ft.	
Number of Doors	1		3	
Number of Shelves	5		15	
Shelf Size	24.8" x 19.6" / 630 x 497mm		21.5" x 24.1" / 546 x 613mm	
Capacity	20 oz. - 240		20 oz. - 840	
	12 oz. - 630		12 oz. - 1824	
Temperature Range	0 to 7°C / 32 to 44.6°F			
Max Ambient Temp Rating	24°C / 75°F			
Energy Consumption	1.8 kWh/day*	3.04 kWh/day*	9.615 kWh/day*	
Electrical	115V / 60Hz / 1			
Power	1/4 HP		1/3 HP	
Current	5.2A		13.8A	
Weight	223.8 lbs. / 101.5 kgs.		746.3 lbs. / 338.5 kgs.	
Item Number	45445	41161	41220	45250

Technical Specifications

VRD SERIES

Model	VRD26	VRD37	VRD37 HC BW	VRD43
Type	Refrigerator			
Volume	756 L / 26.7 cu. ft.	1059.6 L / 37.4 cu. ft.		1179.7 L / 41.6 cu. ft.
Number of Doors	2			
Number of Shelves	10			
Shelf Size	15.9" x 19.4" 404 x 494mm	20.5" x 20.6" 520 x 524mm		24.2" x 19.7" 615 x 501mm
Capacity	20 oz. - 300	20 oz. - 490		20 oz. - 560
	12 oz. - 840	12 oz. - 882		12 oz. - 1134
Temperature Range	0 to 7°C / 32 to 44.6°F			
Max Ambient Temp Rating	24°C / 75°F			
Energy Consumption	6.174 kWh/day*	5.17 kWh/day*	3.120 kWh/day*	5.55 kWh/day*
Electrical	115V / 60Hz / 1			
Power	1/3 HP	1/2 HP		
Current	7.6A	10A	8.3A	10A
Weight	324.1 lbs. / 147 kgs.	445.3 lbs. / 202 kgs.	423.3 lbs. / 192 kgs.	466.3 lbs. / 211.5 kgs.
Item Number	41219	42862	45249	41218

Technical Specifications

VFS SERIES

Model	VFS24
Type	Freezer
Volume	670.3 L / 23.7 cu. ft.
Number of Doors	1
Number of Shelves	5
Shelf Size	25.7" x 21.3" / 653 x 541mm
Temperature Range	-28 to -23°C / -18.4 to -9.4°F
Max Ambient Temp Rating	24°C / 75°F
Energy Consumption	10.22 kWh/day*
Electrical	115V / 60Hz / 1
Power	3/4 HP
Current	7.0A
Weight	378 lbs. / 171 kgs.
Item Number	41221

*Energy consumption based on ANSI/ASHRAE Standard 72-2005.

Installation

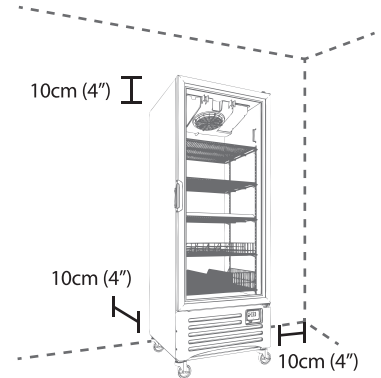
- Install this cooler avoiding direct sunlight.
- Do not install this cooler outdoors.
- This cooler must not be used or stored where ambient temperature is under 14°F or greater than 140°F and where relative humidity is greater than 90%.
- Never install equipment close to heat sources; otherwise, cooler may consume more energy or function incorrectly.
- Do not introduce hot objects or warmer than ambient temperature inside cooler.
- Never obstruct or place objects along front grill which may obstruct free air flow; this may cause inefficient cooler operation and will increase the energy consumption.



Installation

- Never place objects over the cooler. Consider that the cabinet's structure has been constructed mainly of laminated sheet metal and polyethylene foam that may easily bend or deform when hit, and it may even deform over time due to placement of TV, microwave oven and other objects.
- For adequate cooling, cooler separation on back and sides must be at a minimum distance of 10cm (4") with respect to walls or other nearby objects.

IMPORTANT: do not use a cutter knife or blade for cooler handling. Inappropriate use may scratch or cut off components.

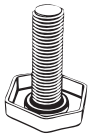


ACCESSORY INSTALLATION

Before turning the cooler on or connecting to power supply, make sure you use the installation kit, such as wall separators, level supports or other accessories. Depending on your cooler's model, you may have some of the following accessories:

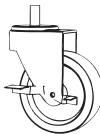


leveling skid



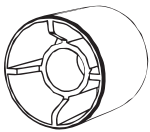
leveling screw

Used to provide support and adequate inclination for door closure.



wheel

Some models have optional wheels for easy mobility inside the establishment. If this is the case, wheels are factory-installed, and it is only necessary to remove transport pods.



wall separator

This accessory is designed to provide adequate separation between cooler back and wall.

TOOLS TO BE USED



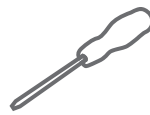
safety shoes



gloves



safety goggles

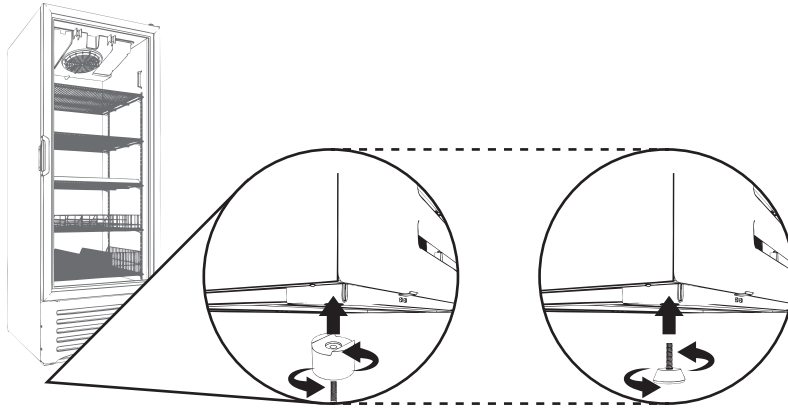


Phillips or flat screwdriver

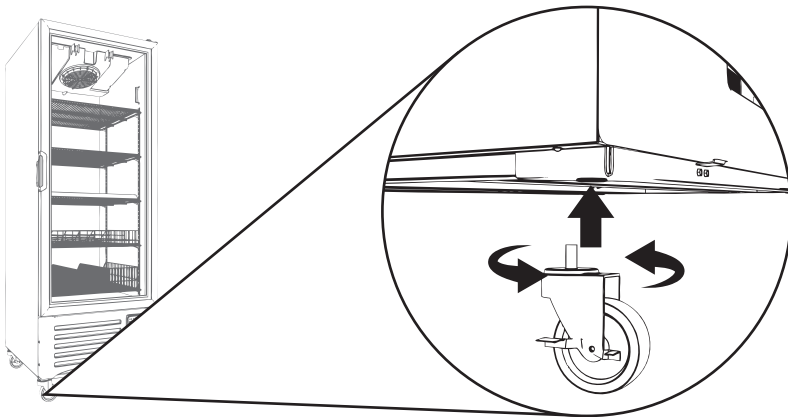


pliers

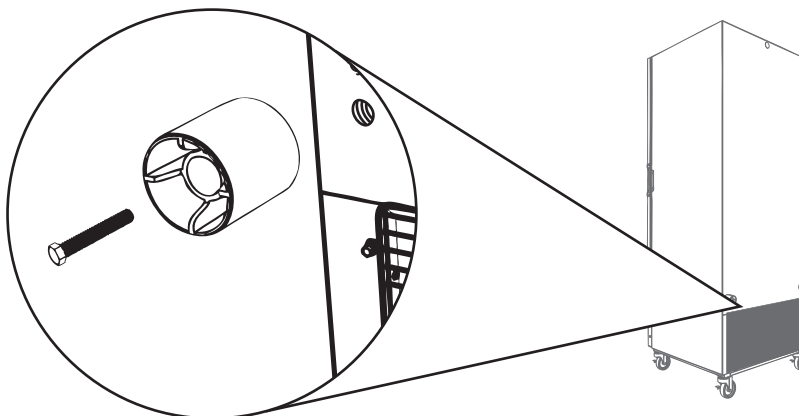
LEVELING SKID / LEVELING SCREW



WHEEL



WALL SEPARATOR



Installation

SHELVES



Floor shelf



Level shelf

These accessories must be used to place products inside the cooler. They are designed to optimize cooler's internal space.

Depending on your cooler's model, it may have different types of shelves. These are some types:

FLOOR SHELVES



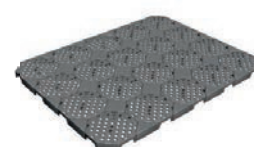
Type A



Type B



Type C



Type D

Observe that these shelves have supports to place them over cooler's floor, as well as enough rods to support product load.

LEVEL SHELVES



Type E



Type F



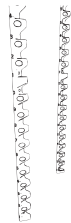
Type G

Shelves must have an adequate orientation and position, never to be forced or exert pressure on the cooler walls or any other accessory.

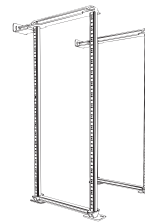
All shelves must be firmly supported on all four corners with provided accessories:



Metallic clips



plastic supports

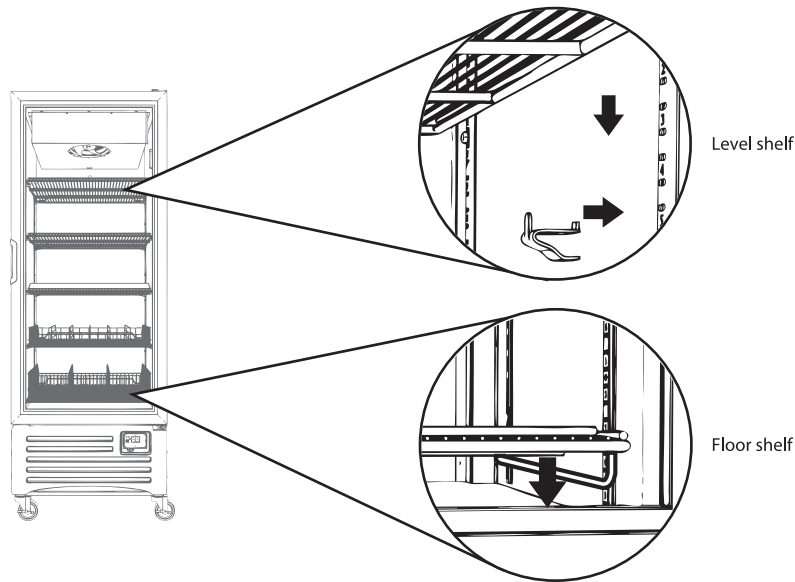


Multilevel frames

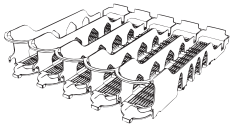
Installation

Make sure the shelf and the product allow the door to close completely.

IMPORTANT: shelves must have an adequate orientation and position, never to be forced or exert pressure on cooler walls or any other accessory.

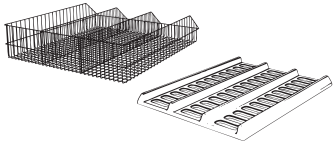


VISISLIDE (OPTIONAL)



The Visislide system allows placing shelves and product in an angle; thus, bottles will always slide to the front.

BASKETS (OPTIONAL)



Cooler may also have plastic or metal baskets to exhibit product.

ELECTRICAL CONNECTION

WARNING: ELECTRIC SHOCK RISK

- Connect to a three-pin outlet.
- Do not remove outlet ground pin.
- Do not use power adapters.
- Do not use extension cords.
- If failure occurs when following these instructions, it may cause fire or electric shock.

Installation

OmcAN coolers with HC refrigerants (R290 / R600) are designed to operate under a specific electric voltage. Check cooler's serial label to make sure that the electrical classification is adequate for installation.

IMPORTANT: ground connection is a protection system for equipment connected to electrical network. It is used in electrical installations to avoid current pass-through to user due to an isolation failure of active conductors.

- This cooler must be connected to physical ground. In case a short circuit occurs, ground connection reduces the risk of electrical shock.
- Cooler is equipped with a power cord with a ground cable with a physical ground connection plug. Plug must be connected to an adequately-installed outlet and ground connected; if you don't have this type of plug, it is your responsibility and obligation to have it installed.
- Please contact a certified electrician or a certified technician if you have questions about ground connections.
- Never use extension cords, as that action will void the warranty.
- Under no circumstances cut off or remove the third ground connection pin from power cord. Do not use an adapter; if this recommendation is not followed, it may cause burns or death to user due to electrical shock.
- For optimal operation, it is recommended to have this equipment connected to a dedicated circuit outlet that is for cooler use only.
- Connect plug firmly to electrical outlet making sure it is inserted all the way in.

POWER CORD

Cooler is equipped with a polarized power cord, with ground connection. Do not attempt to eliminate ground connection or use two-terminal adapters.

AVOID RISKS: if the power cord or other electronic components are damaged, only the manufacturer or authorized technician may repair them to avoid danger.

Operation

TURNING ON THE COOLER

After having transported and installed the cooler, let it stand for at least twelve hours to allow compressor oil to fully settle.

Once the installing instructions have been followed, connect the cooler per electrical specifications indicated on serial number label (placed inside cabinet). For your own safety, avoid touching the device with wet hands or damp or feet. You should not handle cooler when barefoot.

STORING PRODUCT INSIDE COOLER

- If a floor shelf is included (Type A, B, C, D), place it directly inside cooler, and right after that, place shelves (Type E, F, G), using metallic clips (make sure they are aligned at the same height). If a floor shelf is not included use clips to place a shelf.
- If the cooler has a plastic rack included, it includes supports for each grill, without using metal clip.
- If the cooler has been turned off and it is necessary to turn it on, wait for at least one hour to cool the interior of the cooler before introducing product.
- When the cooler is filled up, arrange and order product inside; do not throw or drop product when placing it inside as that action will damage.

Airflow inside cabinet is priority for the cooler, thus make sure that:

- Product does not exert pressure on internal walls and it does not go beyond perimeter or grill limits.
- Avoid introducing containers inside closed boxes, such as carton board, trays, bags or plastic covers.
- If your cooler has a bin and fan avoid placing product and other objects against, or in a way that obstructs, fan air outlets.

IMPORTANT

Some models are designed to cool products (i.e. beer), under 0°C. Do not use this type of cooler for other products that may be quality-affected due to these low temperatures. Some products freeze when subjected to these temperatures and the containers may explode. If product containers are made of glass, they may cause cuts and serious wounds to you; thus, always follow recommendations and instructions from your supplier. Do not introduce unauthorized containers or product or, ask the Service Center for further details.

It is recommended that before closing your business, fill up your cooler so that on the next day you have cold product available for your customers; doing so will contribute to energy saving due to the fact that doors will be kept closed overnight and cooling will be more efficient.

IMPORTANT: horizontal shelf maximum load must not exceed equivalent weight of three can trays of 355ml (12oz).

TEMPERATURE CONTROL

All temperature controls are electronic and are previously configured by manufacturer. Thanks to this technology, neither height nor exterior temperature affect the interior environment, thus, no adjustments are necessary.

Your cooler may include one of these controls:

- CIF: Intelligent Control Function.
- ETC1H: Electronic Controller.

The temperature control display is usually located on the plastic front grill.

In the case of ETC1H control, it is located on the condenser unit. It is protected by the front plastic grill. In smaller coolers, ETC1H is located on the back of cooler. It does not have a display.

Operation

If your cooler has a Intelligent Control Function (CIF), follow the instructions attached to cooler for further detail.

Each CIF has its own cooling configuration. It may also include energy savings modes and it may transmit information to your suppliers. Energy savings modes may be activated with the display button or automatically when the cooler is not in use.

In case of coolers without door, although some versions have CIF, they don't include the savings mode due to lack of a door; however, you must use the night curtain just before closing your business to reduce energy consumption and to allow compressors to rest.

If the cooler includes an EMS controller, it will also be preconfigured. It analyzes temperatures inside and outside the cooler for better cooling of product. Temperatures and alarms are shown on integrated display.

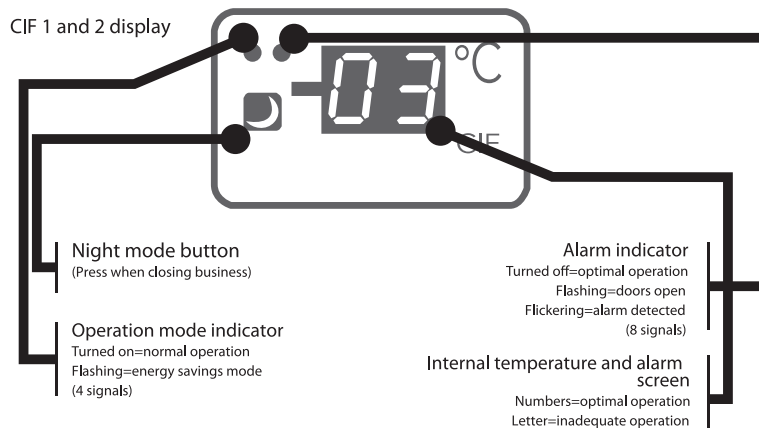
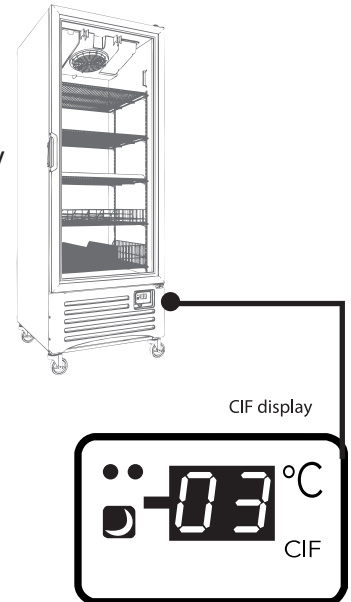
The ERC controller is preconfigured and allows the user to set the right temperature for the product. It includes inner temperature sensor and also has sensors for the refrigeration and lighting system that allow a better performance.

The LAE control is preconfigured, allowing user to select an adequate temperature for different products. Alarms are shown on the display. It also includes an automatic deicing mode, manual deicing, and lighting control.

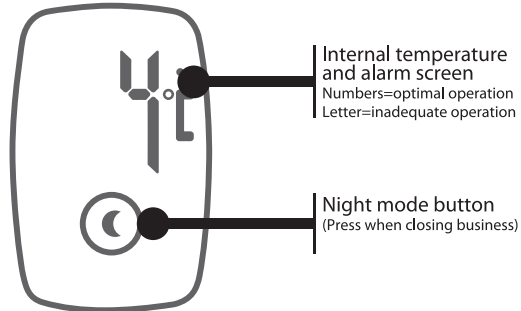
IMPORTANT: if the cooler has a temperature control issue or, if failure alarms occur on CIF, EMS, LAE or ERC displays, never attempt to make control adjustments; please call the Customer Service Center. You will be assisted by experienced and authorized personnel.

The ETC1H control in some models is also preconfigured by the manufacturer to maintain product temperature. It does not include a display that shows temperature or alarms. If you notice malfunctioning, please notify the Customer Service Center.

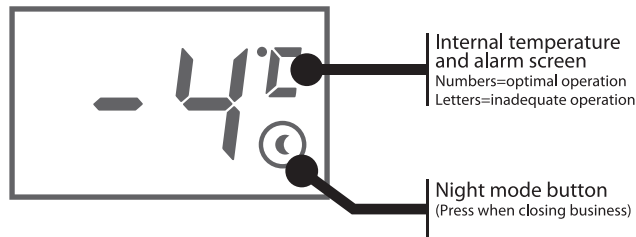
There are many CIF models to provide various solutions for multiple cooling needs for each product.



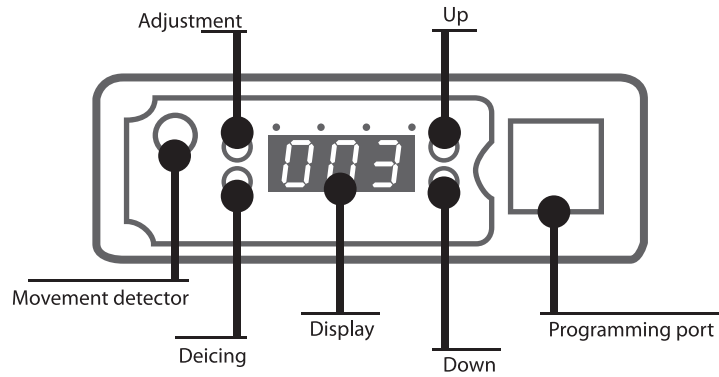
CIF NOVO display



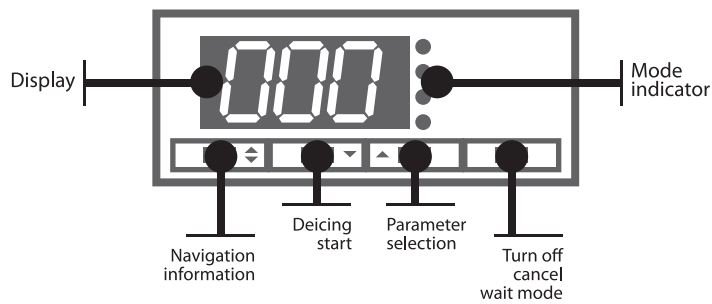
CIF EVO display



EMS

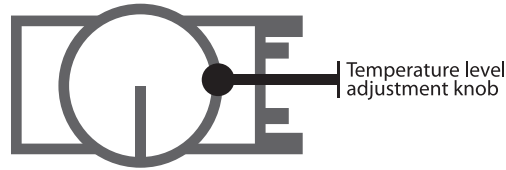


LAE



Operation

ETC1H



LIGHTING

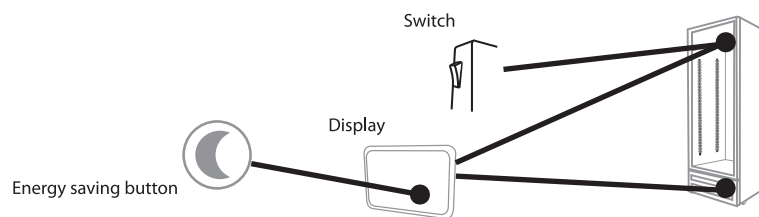
Consider that this cooler has been designed with the intention to exhibit products to encourage your and your supplier's sales. For best results, lighting must be turned on during sale hours.

Our LED lighting technology allows an improved electric efficiency, reducing and providing more operation years with regard to lighting. LED lighting is located around the door perimeter, on the internal cabinet upper portion, or around the perimeter of the internal cabinet.

Your cooler may include a switch that allows you to turn off lighting manually. Use it only when your business is closed. During sale schedule, this lighting technology represents a minimum percentage of the cooler's total energy consumption.

If the cooler includes a Intelligent Control Function (CIF), lighting will be tuned off automatically in savings mode. You don't have to worry about this, each control will turn lighting off according to cooler characteristics and the products contained in it. Just open the door to exit savings mode.

IMPORTANT: if you notice any lighting malfunction, please contact the Customer Service Center.



HINGED DOOR

Cooler's door is designed to thermally isolate the refrigerated product from the environment. If it gets fractured or broken, do not attempt to repair it; call the Customer Service Center.

With a moistened cloth, clean glass solid and glass door internal and external surfaces at least once per week.

At least every three months, clean the door's seal, check it for perfect condition, and check whether it makes contact with frame inside cabinet.

Door hinges and supports have been designed for an adequate turning radius and a proper seal separation distance. If for any reason you need to replace or adjust, request support from the Omcan Tech Support Department at 1-800-465-0234.

If the cooler includes reversible doors and requires a change at the opening, allow this task to be performed by a knowledgeable authorized technician with regard to the self-closing system and electrical installation.

Keep fingers out of risk areas such as door frame and hinges, always use the handle. Pay special attention when closing doors especially when children are nearby.

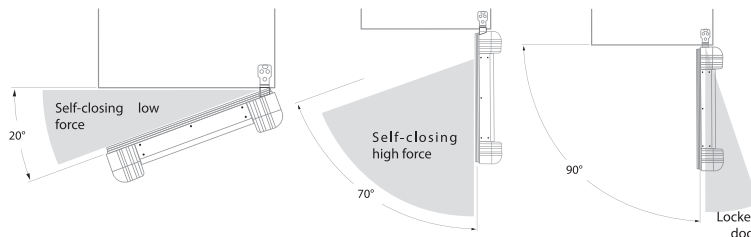
Door opening must be free from objects or obstacles as they might fall down or slide down causing injuries or wounds to users.

SELF-CLOSING SYSTEM FOR HINGED DOORS

Door may be equipped with a self-closing system that keeps door from being left open carelessly, forcing it to close by an internal spring part of its mechanism. If you notice that it lacks sufficient force to fully close or it closes with too much force such that damage the to door or refrigerated product may be at risk, call the Omcan Tech Support Department at 1-800-465-0234.

The cooler may include a self-closing system with lock, with two user modes:

1. Automatic closure: thanks to an internal spring in the mechanism, the system closes the door automatically when it is positioned from 20° to 90° in aperture.
2. Reloading: if aperture is greater than 90°, the door lock will be activated and door will remain open at 90°. Thus, you can conveniently reload cooler. To release lock, you simply push the door again from 90° to 75° to return to mode 1.



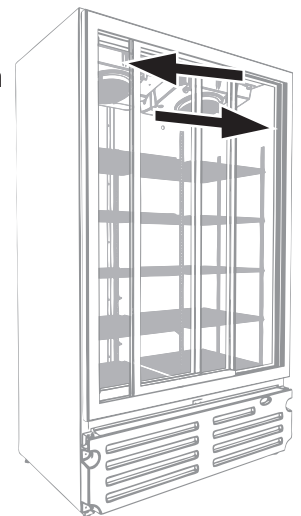
SLIDING DOOR

Just as with hinged doors, sliding doors are designed to provide optimal thermal isolation of refrigerated products, making product display more efficient at the point of sale. If the sliding door is damaged, do not attempt repairing it yourself. Call our Technical Support Service.

Sliding doors are supported by a set of rails, allowing door opening with minimal force, providing access to product.

With a moistened cloth, clean glass solid door internal and external surfaces at least once per week.

At least once per month, clean sliding door rails and check for perfect conditions for adequate door slide.



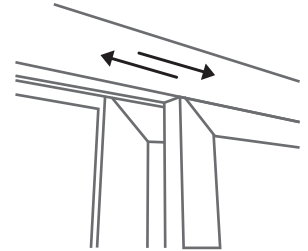
Operation

SELF-CLOSING SYSTEM FOR SLIDING DOORS

The cooler may be equipped with an integrated self-closing sliding door system inside the frame, which prevents doors from remaining open carelessly, forcing them to close by an internal spring part of its mechanism. If you notice that it lacks sufficient force to fully close or it closes with too much force, such that it could damage the door or refrigerated product may be at risk, call the Customer Service Center.

To open doors, just slide from left to right on the opposite side where they are located.

To refill cooler, open left door and turn right door lock. Thus, you may keep doors open temporarily, while you fill the cooler with product to be refrigerated.



Maintenance

IMPORTANT: disconnect the cooler from wall outlet before you perform any maintenance or cleaning task.

IMPORTANT: do not perform any cleaning task with water hose or jet wash as it may cause damage to electrical components and cause electric shock.

It is preferable to perform cleaning and maintenance tasks using safety work gloves.

GENERAL CLEANING

- Cleaning the cooler regularly prevents deterioration and reduces malfunctioning that may alter product preservation. Clean with a piece of cloth only, warm water and neutral soap. Dry surfaces using a soft cloth or rag.
- Avoid cleaning surfaces with water hose or jet wash.
- Do not use solvent or abrasive products for cleaning tasks as they may damage surface finish.
- Do not use sharp points to remove excessive dirt; use brush if required.
- Use a broom or mop to clean area under cooler. Avoid splattering water directly under cooler's internal front area.

CONDENSER CLEANING

- Condenser must be cleaned once per month or when required to prevent dirt from reducing cooling system efficiency.
- To clean condenser, it is necessary to remove the cooler's front grill.
- Remove dust, lint and trash with soft bristle brush or broom.
- In grease-based locations, such as kitchens and/or food cooking areas, accumulated grease or grime must

- be cleaned off with water and degreasing agents.
- Do not use sharp pointed objects to remove excessive grime, use brush if required.

IMPORTANT: do not use solvent or abrasive products for cleaning as they may damage surface finishing.

EVAPORATOR DEICING

- Cooler has an automatic evaporator deicing system to guarantee adequate interior air flow.
- If you notice that the cooler is forming ice and it does not cool properly, report this issue to the Customer Service Center.

MANUAL DEFROSTING - FOR FREEZER

1. Remove the front grill.
2. Push and hold the button 10 for seconds. Manual defrosting is activated by pressing 10 seconds the night mode button. To observe that the same temperature remains in the control CIF before the defrost cycle.
3. Check that the red and green LEDs illuminate at the same time. During the defrost cycle, green and red LED remain on.

IT IS IMPORTANT TO KNOW THAT:

It is disabled by time or by temperature, whichever occurs first:

- Time limit: 30 minutes.
- Temperature at defrost sensor limit: 41°F (5°C).
- Defrost time 12 minutes.
- Drip time 5 minutes.
- Sweep time 5 minutes (fan turn after 5 minutes have ended the defrost).
- After 10 minutes of finishing the defrost compressor kicks in.

TECHNICAL MAINTENANCE

- If your cooler requires major maintenance due to refrigeration, electric or lighting system failure, please contact the Customer Service Center.
- All repairs must be performed by an authorized technician. Attempts to repair this equipment by inexperienced personnel or yourself may create malfunctions, damage to equipment or to yourself. Such attempts will be considered to automatically void the warranty.
- Request and make sure original spare parts are used with the same characteristics to guarantee the cooler's optimal operation.
- Before calling the Customer Service Center, check the Troubleshooting Guides included in this manual.

Troubleshooting

Failure	Possible Causes	Check	Corrective Actions
Cooler cannot be turned on.	Power supply failure.	Electric power in the business.	Wait until electricity service is restored.
	Cooler is not well connected.	Outlet must have electrical power.	
	Loose connection.	Plug is well connected.	Correctly connect plug to contact.
	Just connected and no more than 5 minutes have passed.	N/A.	Wait for at least 5 minutes for compressor to start running.
	Burned fuse or tripped circuit breaker.	Physical state of fuse or circuit breaker.	Replace fuse or reset circuit breaker.
Cooler vibrates and/or makes noises.	It is not correctly leveled on a firm and flat surface.	Cooler stability.	Make sure you place cooler on a firm and flat surface.
		No objects are kept under cooler that might cause instability.	Remove any carpeting, carton, or other objects from under cooler.
	Level supports are unlevelled.	Leveling supports are correctly adjusted.	Adjust leveling supports until 4 support points are firm.
	Loose parts vibrate or against surfaces or walls.	Loose components.	Locate and tighten loose parts or adjust those that might hit others.
	Tubing vibration is transmitted.	N/A.	Separate parts that due to contact may be vibrating together.
Lighting turns off.	It is set in energy saving mode.	It is not necessary to check anything, operation is normal.	When door opens, energy savings mode will be deactivated.

Troubleshooting

Equipment works continuously for long periods of time.	Condenser coil is dirty.	N/A.	Clean coil to remove dust, lint and waste.
	Evaporator coil blocked by frost or frozen.	Door closure and seals are firm and adequate throughout perimeter.	Turn cooler off to defrost coil. Do not to use a cutter knife or blade for handling. Inappropriate use may scratch or cut off components.
	Doors remain open for a long time or doors don't close.	Doors closed when not used.	Do not allow doors to remain open for prolonged periods of time.
	Door magnetic seals do not close or seal.	Seal wear.	Adjust door or change seals, if necessary.
	Hot product load in cabinet is excessive.	N/A.	Allow enough time to cool product.
Compressor does not start, makes buzzing noises or stops due to thermal protector.	Voltage variation is excessive or undervoltage is observed.	If business lamps vary their intensity.	Allow for voltage restore and voltage increase.
	Vent motor is protected or burnt. Fan blade is damaged.	Fan rotation without variations and for complete blade.	Call Customer Service Center if required.
	Condenser coil is dirty.	N/A.	Clean dust, lint and waste from coil.
	Insufficient air flow or blocked.		Remove objects that may obstruct air flow or move to provide enough space around it.

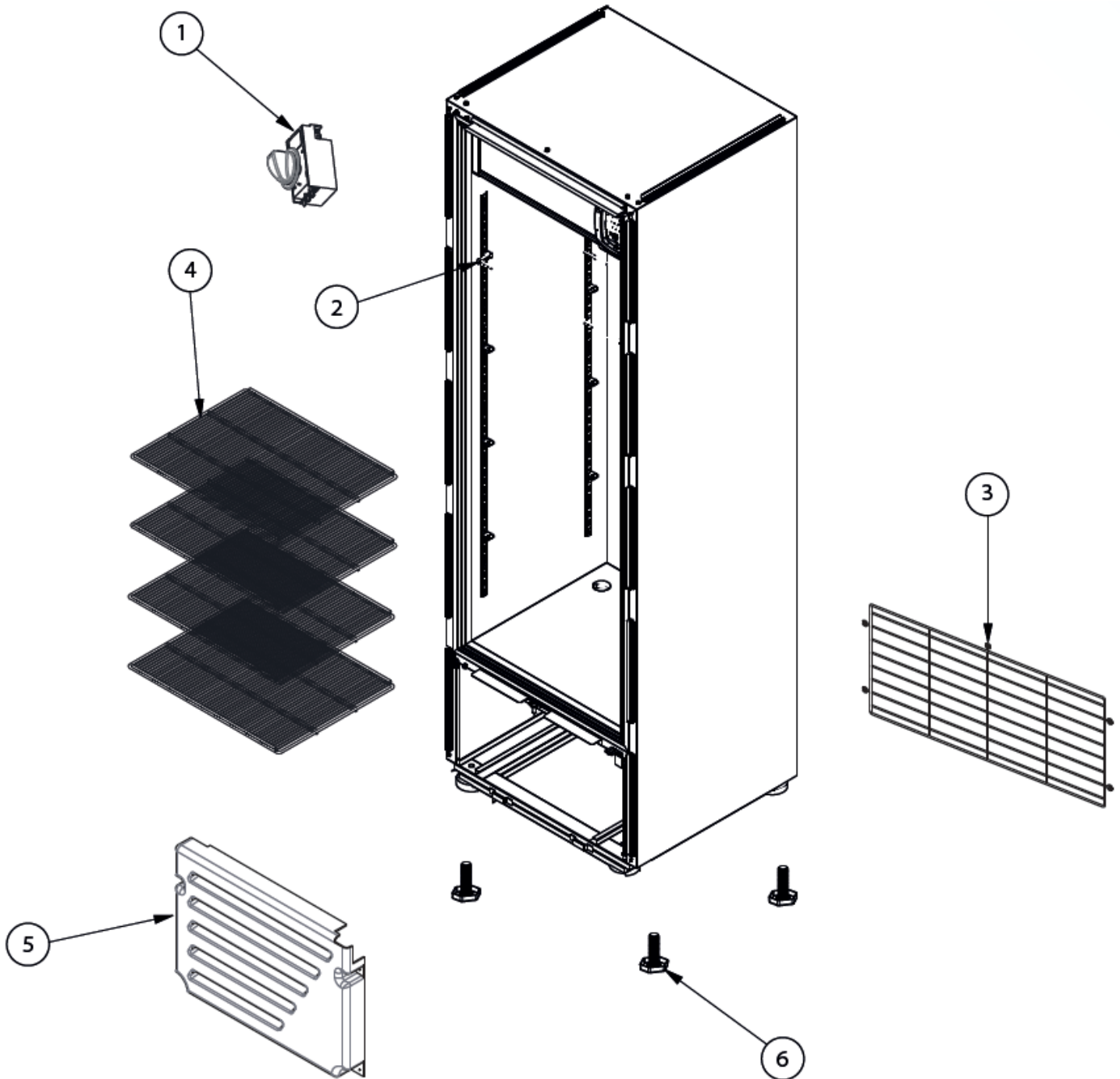
Troubleshooting

Cooler inside temperature is too high or does not cool product.	More than three hours have not passed since cooler was connected.	N/A.	Wait for a minimum of 14 hours until cooler recovers its temperature.
	Condenser coil is dirty.		Clean dust, lint and waste from coil.
	Evaporator coil blocked by frost or frozen.	Door closure and seals are firm and adequate throughout perimeter.	Turn cooler off to defrost coil.
	Doors remain open for a long time or doors do not close.	Doors closed when not used.	Do not allow doors to remain open for prolonged periods of time.
	Hot product load in cabinet is excessive.	N/A.	Allow enough time to cool product.
	Poor or obstructed air flow.		Arrange product to allow adequate air flow. Ensure load does not exceed max fill height label
Temperature inside cooler is too low and freezes product.	Product is located too close to evaporator.	Product is not near fan inlet.	Place product at least 2 inches away.

Parts Breakdown

Model VR08 41215

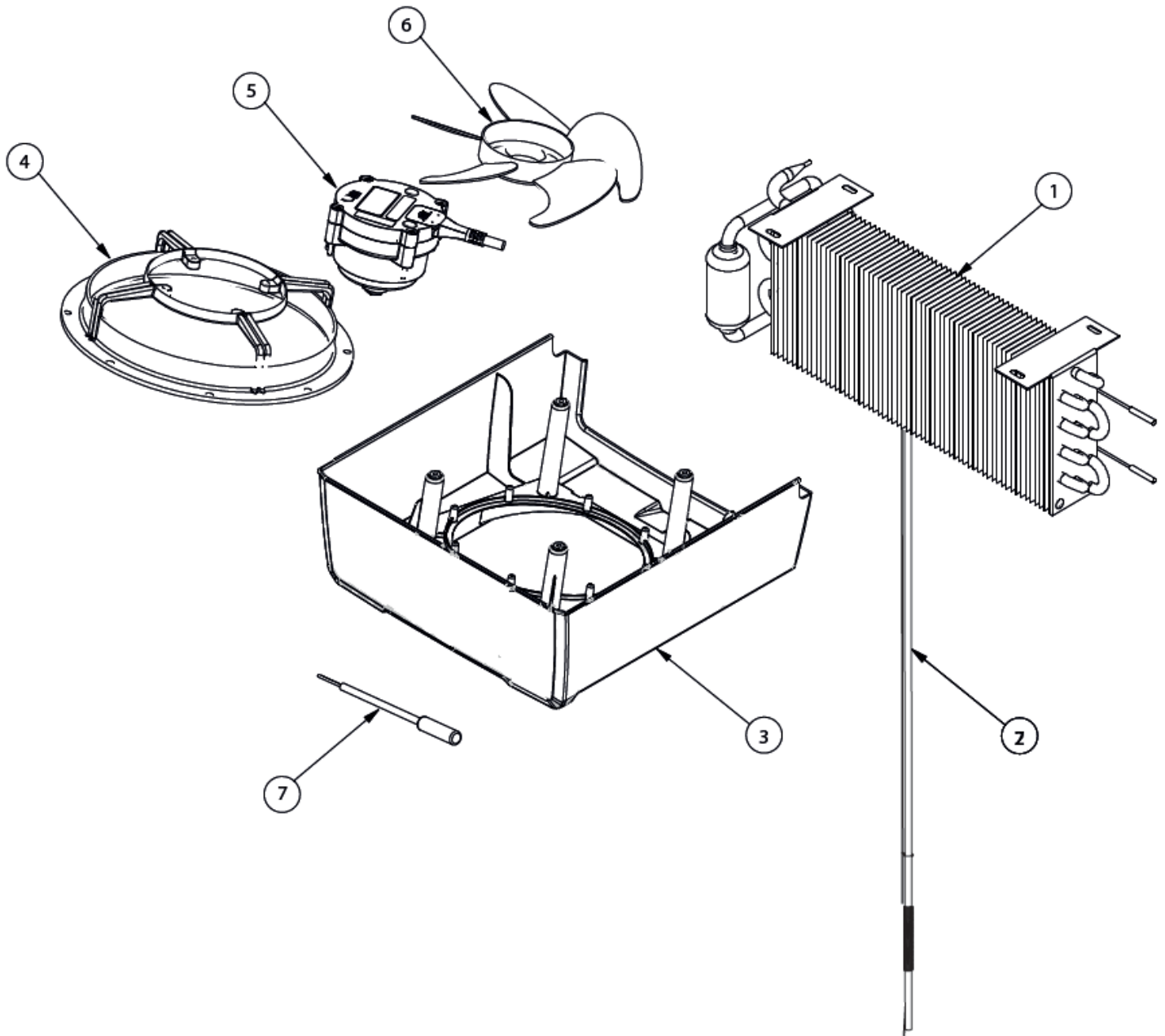
General Assembly



Parts Breakdown

Model VR08 41215

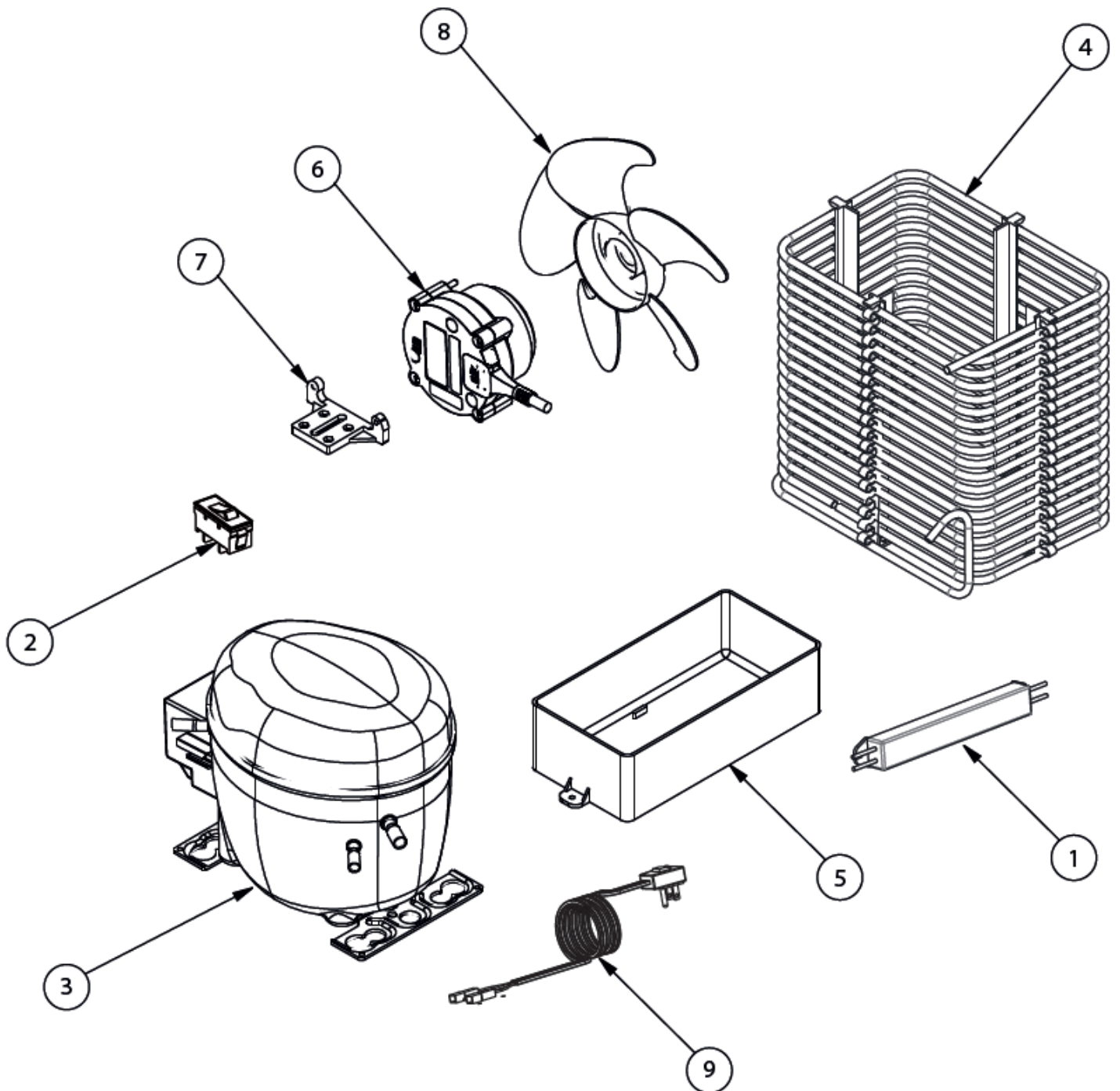
Evaporator Assembly



Parts Breakdown

Model VR08 41215

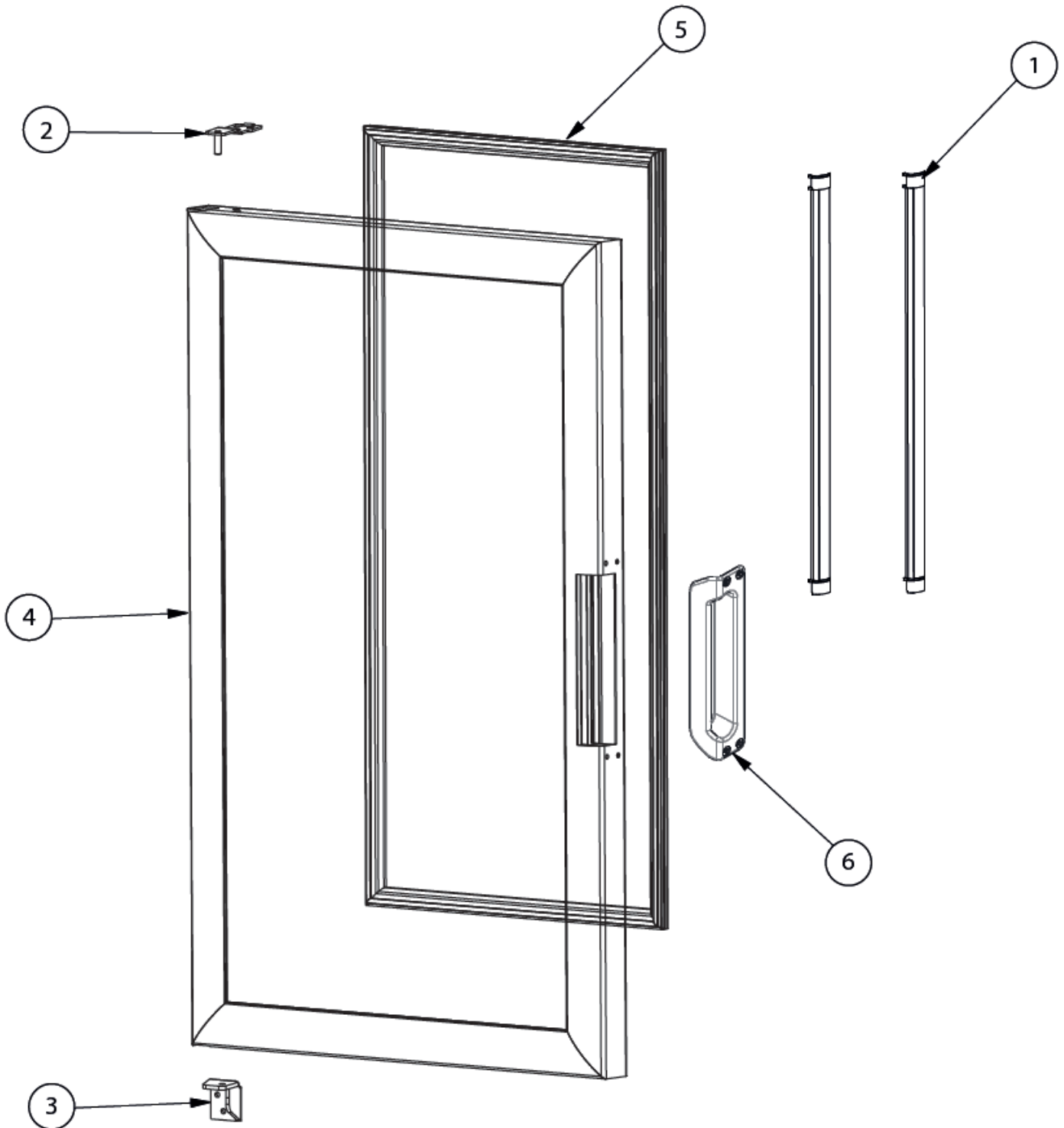
Condenser Assembly



Parts Breakdown

Model VR08 41215

Door Assembly



Parts Breakdown

Model VR08 41215

General Assembly

Item No.	Description	Position	Item No.	Description	Position	Item No.	Description	Position
66438	Controller, ELE BEV 115V N/SEN for 41215	1	66440	Grill, Wire Rear VL08 for 41215	3	66442	Front Grill, THER BK for 41215	5
66439	Pilaster, 1046 7B Diam 6.7 for 41215	2	66441	Shelf for 41215	4	66443	Leveling Screw, 1/2"-13x1 1/2" for 41215	6

Evaporator Assembly

Item No.	Description	Position	Item No.	Description	Position	Item No.	Description	Position
66444	Evaporator 14T 5/16 CU 6FPI FIL299 for 41215	1	66446	ABS Motor Evaporator Support for 41215	4	66438	Controller, ELE BEV 115V N/SEN for 41215	7
66405	Cap Tube 0.036x96" for 41215	2	66447	Motor E WEL 1/70HP 115V 50/60HZ 1800RPM for 41215	5			
66445	Evaporator Housing ABS N/Slot for 41215	3	66448	Fan Blade, WEL PLA 8" Diam. 28 Deg. for 41215	6			

Condenser Assembly

Item No.	Description	Position	Item No.	Description	Position	Item No.	Description	Position
66449	LED Driver, VB-12030D018 30W 115V 50/60Hz for 41215	1	66451	Condenser, HEL 13S 5/16 CU SQU for 41215	4	66453	Nylon T Motor BOT Support for 41215	7
66402	Rocker Switch, BK for 41215	2	66452	ABS Condenser Pan for 41215	5	66454	Fan Blade, WEL PLA 8 3/4 Diam. 25 Deg. for 41215	8
66450	Compressor SEC TTE4.6FK 115V 60Hz for 41215	3	66447	Motor E WEL 1/70HP 115V 50/60Hz 1800RPM for 41215	6	66425	Power Cord 115V 15A 14AWG for 41215	9

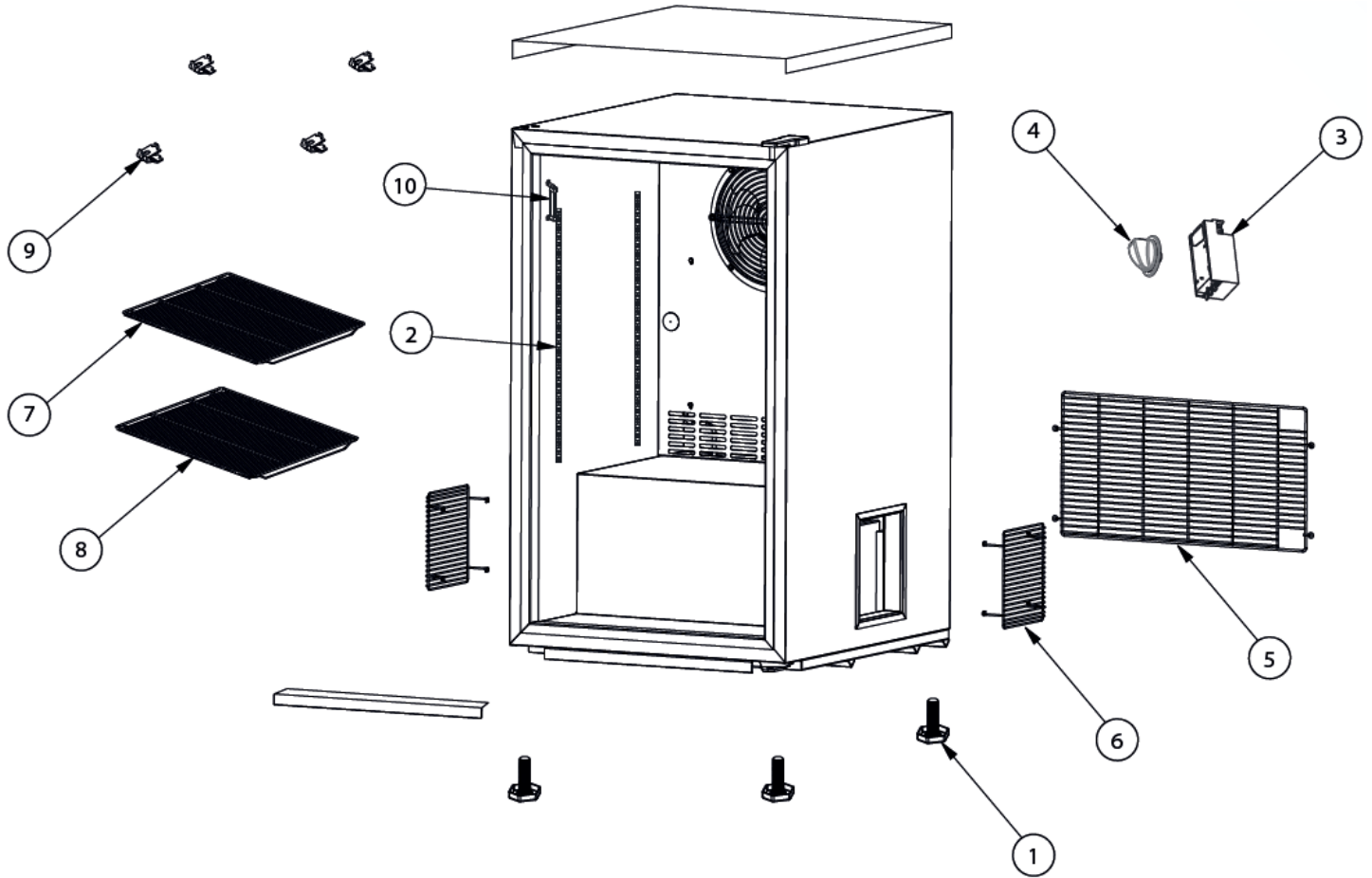
Door Assembly

Item No.	Description	Position	Item No.	Description	Position	Item No.	Description	Position
66455	Module, 6 LEDS 1.2W 12V for 41215	1	66434	MET Top Hinge UNI Slope OPT for 41215	3	66458	Universal Door Gasket 478x1413mm for 41215	5
66456	MET Bottom Hinge RIG SCC TR34.5 for 41215	2	66457	Door G J Rig LED Standard V10 SCC BDH for 41215	4	66459	Door Handle, PLA Standard V7.2 for 41215	6

Parts Breakdown

Model VR06 41214

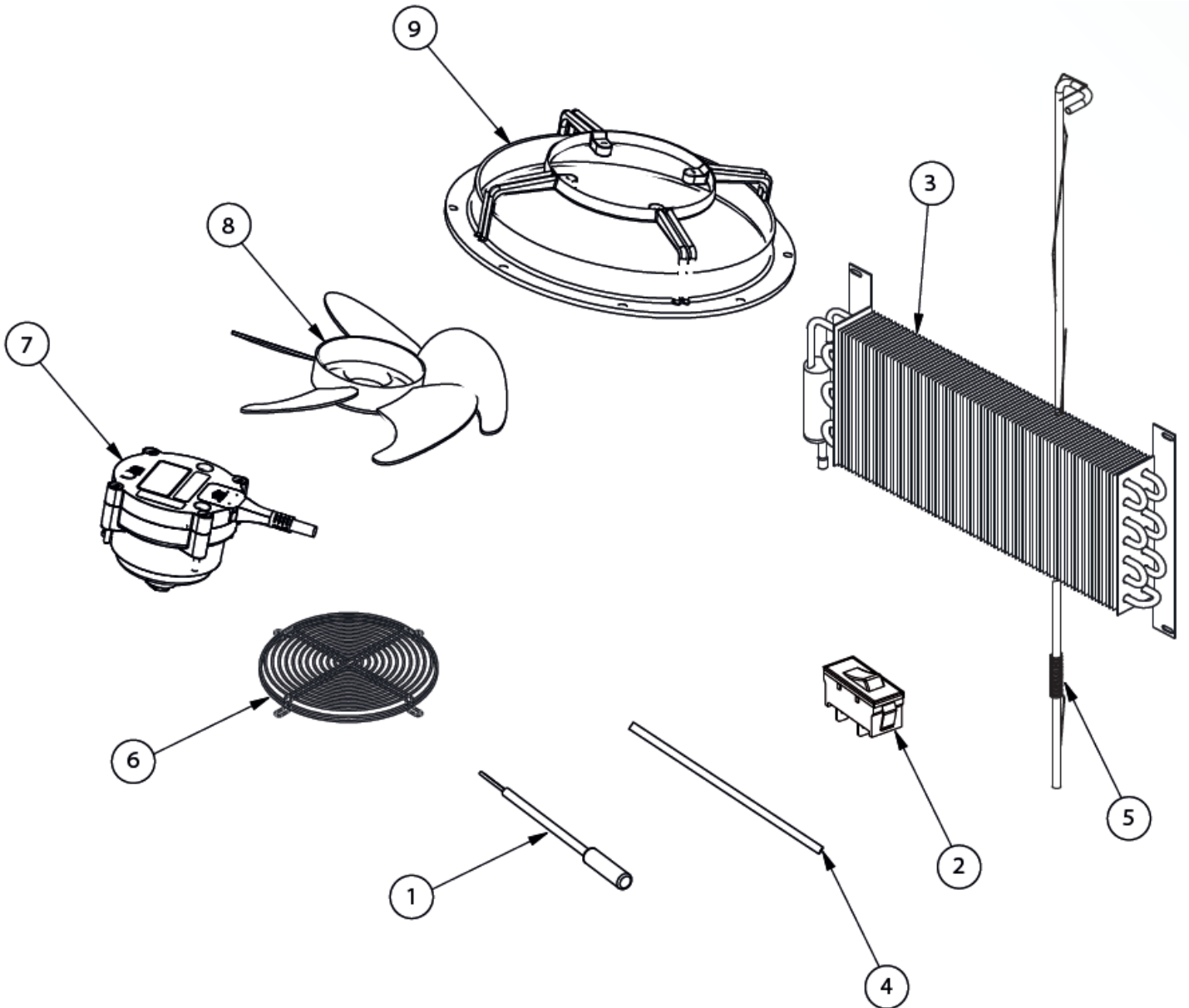
General Assembly



Parts Breakdown

Model VR06 41214

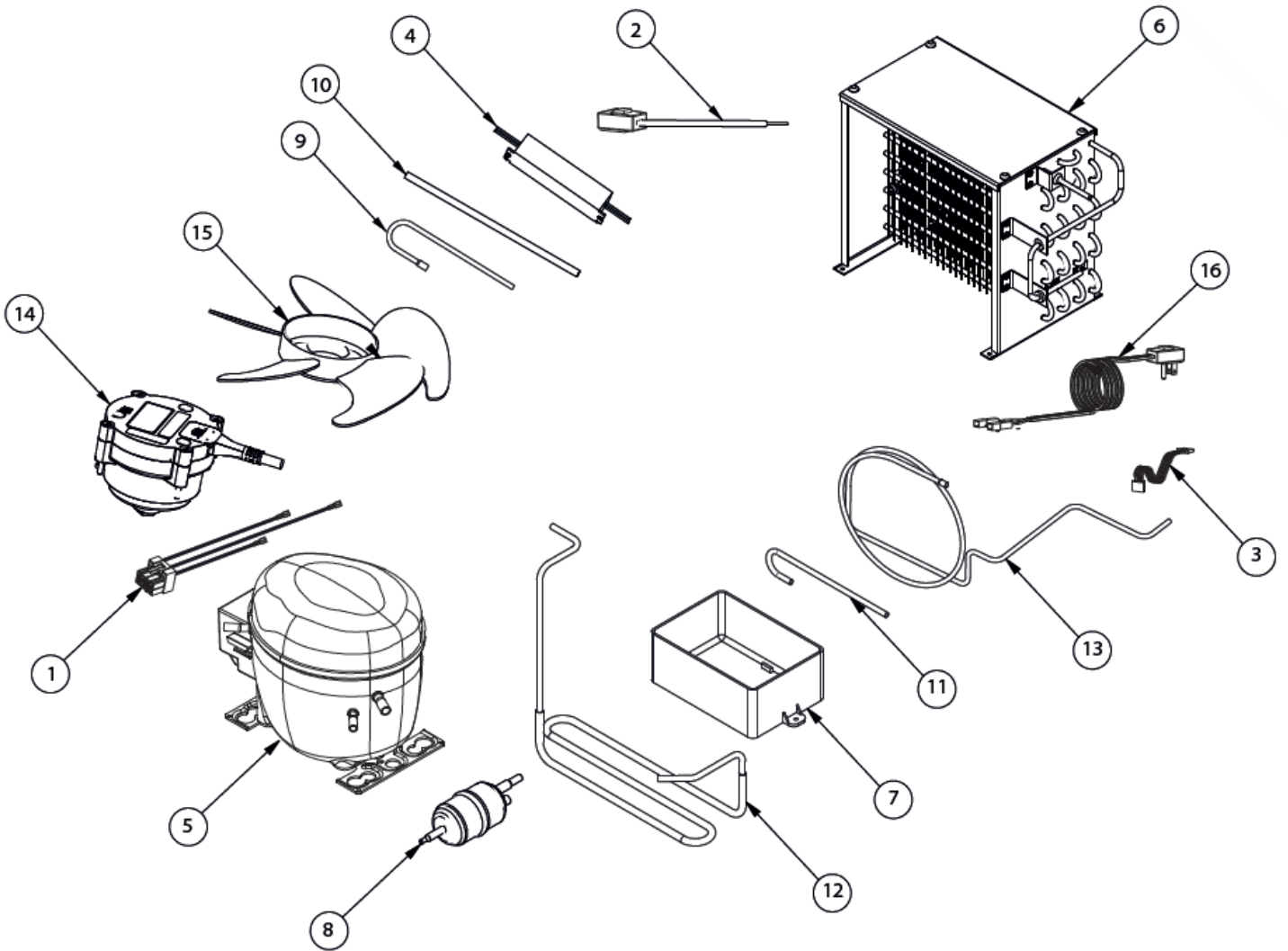
Evaporator Assembly



Parts Breakdown

Model VR06 41214

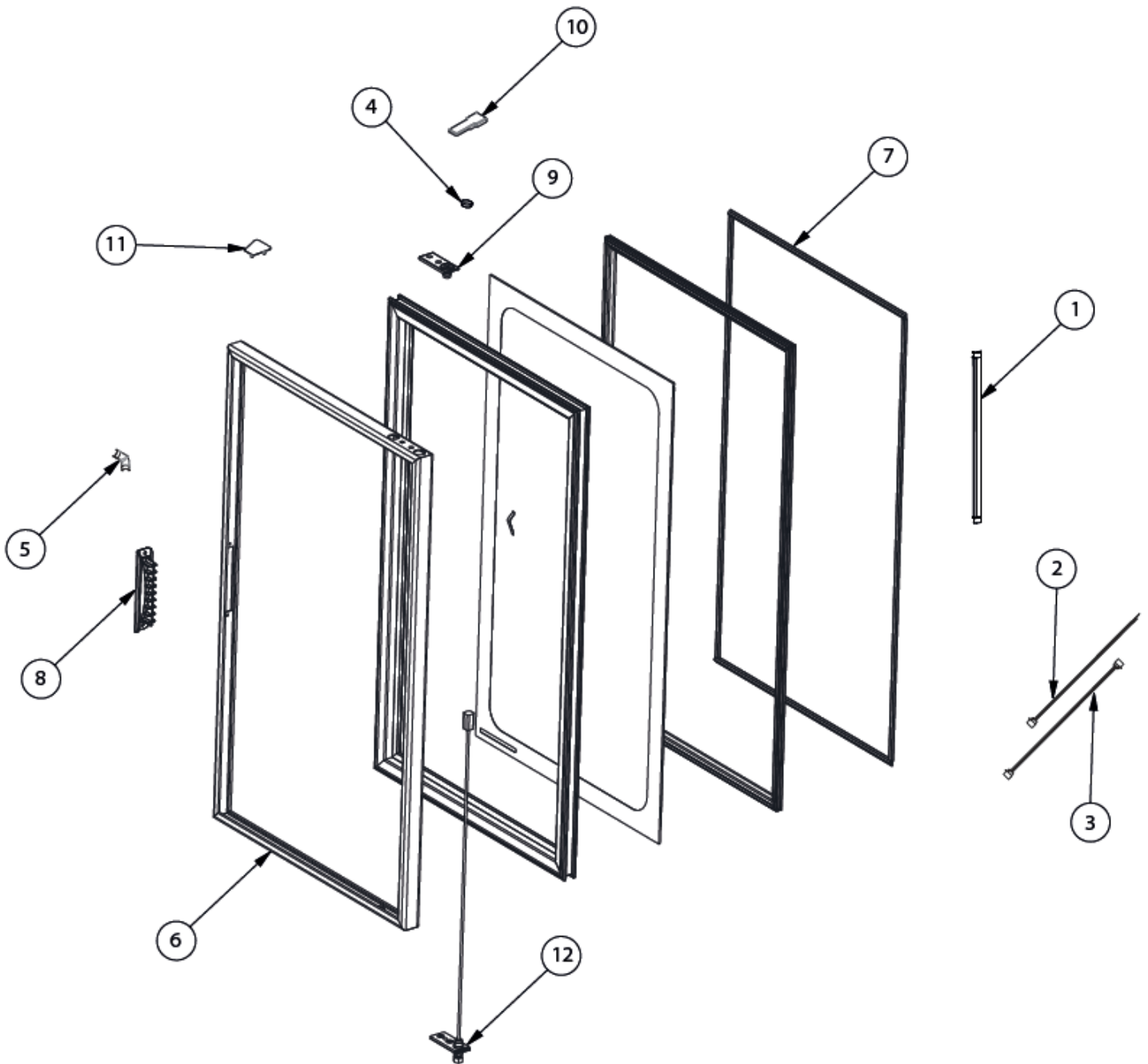
Condenser Assembly



Parts Breakdown

Model VR06 41214

Door Assembly



Parts Breakdown

Model VR06 41214

General Assembly

Item No.	Description	Position	Item No.	Description	Position	Item No.	Description	Position
66393	Leveling Screw, 1/2"-13x2" W/PLA UL for 41214	1	66397	Grill, MET Containment R2 for 41214	5	66399	Clip, F/Pilaster 16G Polished for 41214	9
66394	Pilaster, 428 4B Diam 6.7 for 41214	2	66398	Grill, MET Containment C02 for 41214	6	66400	Thermometer, Wall MTG for 41214	10
66395	Controller, ELE BEV 115V N/SEN 6T for 41214	3	72281	Top Shelf for 41214	7			
66396	Knob, ABS Control for 41214	4	72284	Bottom Shelf for 41214	8			

Evaporator Assembly

Item No.	Description	Position	Item No.	Description	Position	Item No.	Description	Position
66401	Temp Sensor, ETC1H 2.0M for 41214	1	66404	Return Pipe, 1/4" 0.300M R6 UL for 41214	4	66407	Motor, E WEL 13W 100/240V 50/60HZ 1400RPM for 41214	7
66402	Rocker Switch, BK for 41214	2	66405	Cap Tube 0.036x96" for 41214	5	66408	Fan Blade MYF PLA 6" Dia. 31 Deg. for 41214	8
66403	Evaporator 156 14T 1/4 AL 6FPI FIL341 PAI for 41214	3	66406	Grill, Wire Fan Blade 200mm 12R WT High for 41214	6	66409	Nylon Motor Ring for 41214	9

Condenser Assembly

Item No.	Description	Position	Item No.	Description	Position	Item No.	Description	Position
66410	Main Harness for 41214	1	66416	ABS Condenser Pan for 41214	7	66422	Suction Pipe 1/4" 0.980M for 41214	13
66411	LED Harness for 41214	2	66417	Filter Dryer 0.9 HP DCL for 41214	8	66423	Motor, E WEL 13W 100/240V 50/60HZ 1400RPM for 41214	14
66412	Compressor Harness for 41214	3	66418	Cond-Filt Pipe 3/16" 0.180M for 41214	9	66424	Fan Blade, WEL PLA 8" Diam. 28 Deg. for 41214	15
66413	LED Current, Driver 24W R2 S300 W/ CON for 41214	4	66419	Charge Pipe 1/4" 0.180M for 41214	10	66425	Power Cord 115V 15A 14AWG for 41214	16
66414	Compressor EMB EMU40CLP 115V 60HZ R6 for 41214	5	66420	Discharge Pipe 3/16" 1.010M for 41214	11			
66415	Condenser 206 NFI 36T 3/16 FE PAI HM for 41214	6	66421	Vacuum Pipe 1/4" 0.300M for 41214	12			

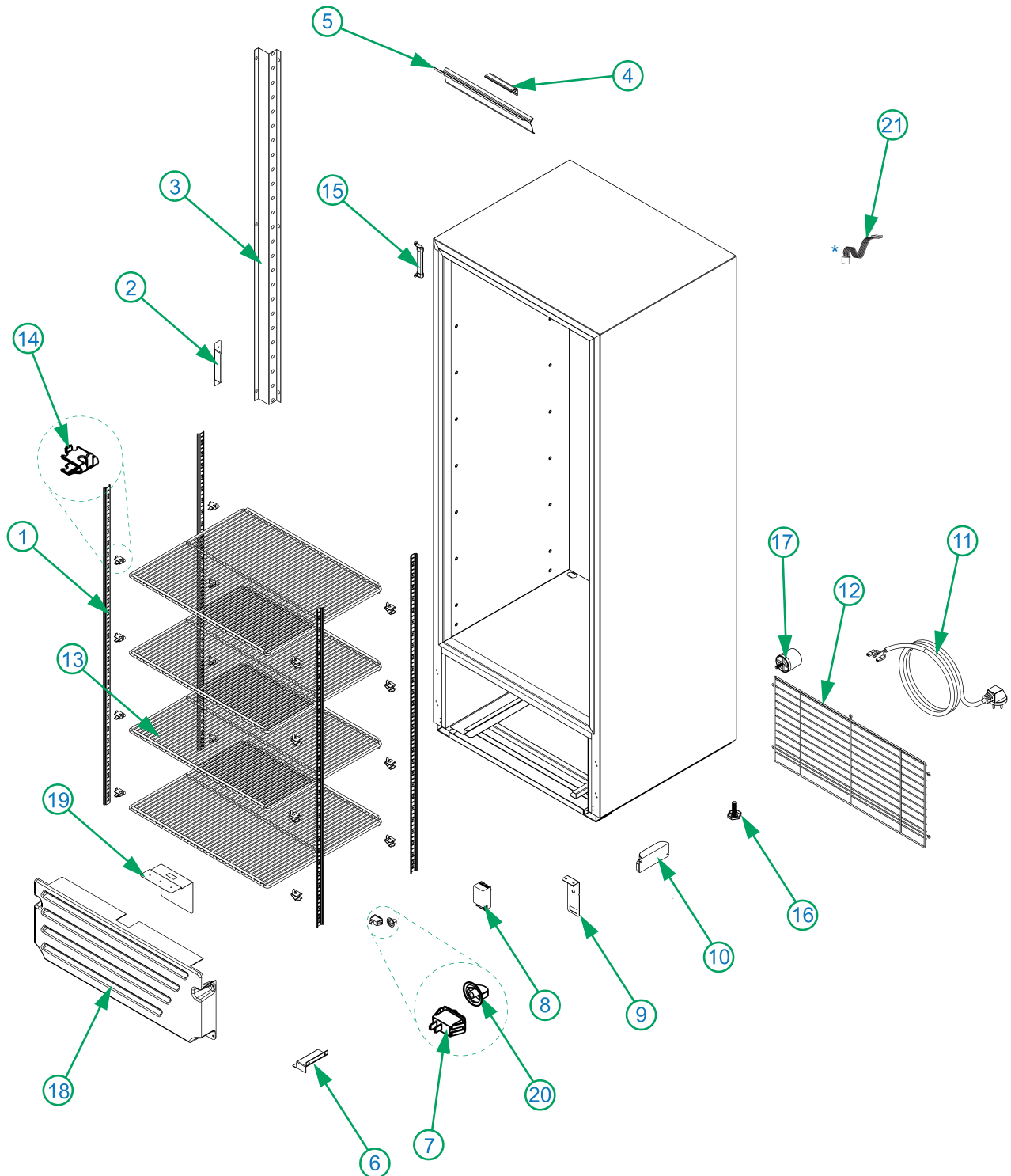
Door Assembly

Item No.	Description	Position	Item No.	Description	Position	Item No.	Description	Position
66426	Module, 8 LEDs 1.2W 54MA NGD for 41214	1	66430	PE BLA NGD Couple for 41214	5	66434	MET Top Hinge UNI Slope OPT for 41214	9
66427	F-M Moduled Harness NGD for 41214	2	66431	Door G J RHG LED SCTB NGD for 41214	6	66435	Hinge Top Cover for 41214	10
66428	F-Driver Moduled Harness NGD for 41214	3	66432	Universal Door Gasket 516x866mm for 41214	7	66436	Hinge Position Top Cover for 41214	11
66429	Reversible Door Stopper ED 3/4" BK for 41214	4	66433	Door Handle for 41214	8	66437	MET Top Hinge UNI Slope SCTB for 41214	12

Parts Breakdown

Model VR12 41217

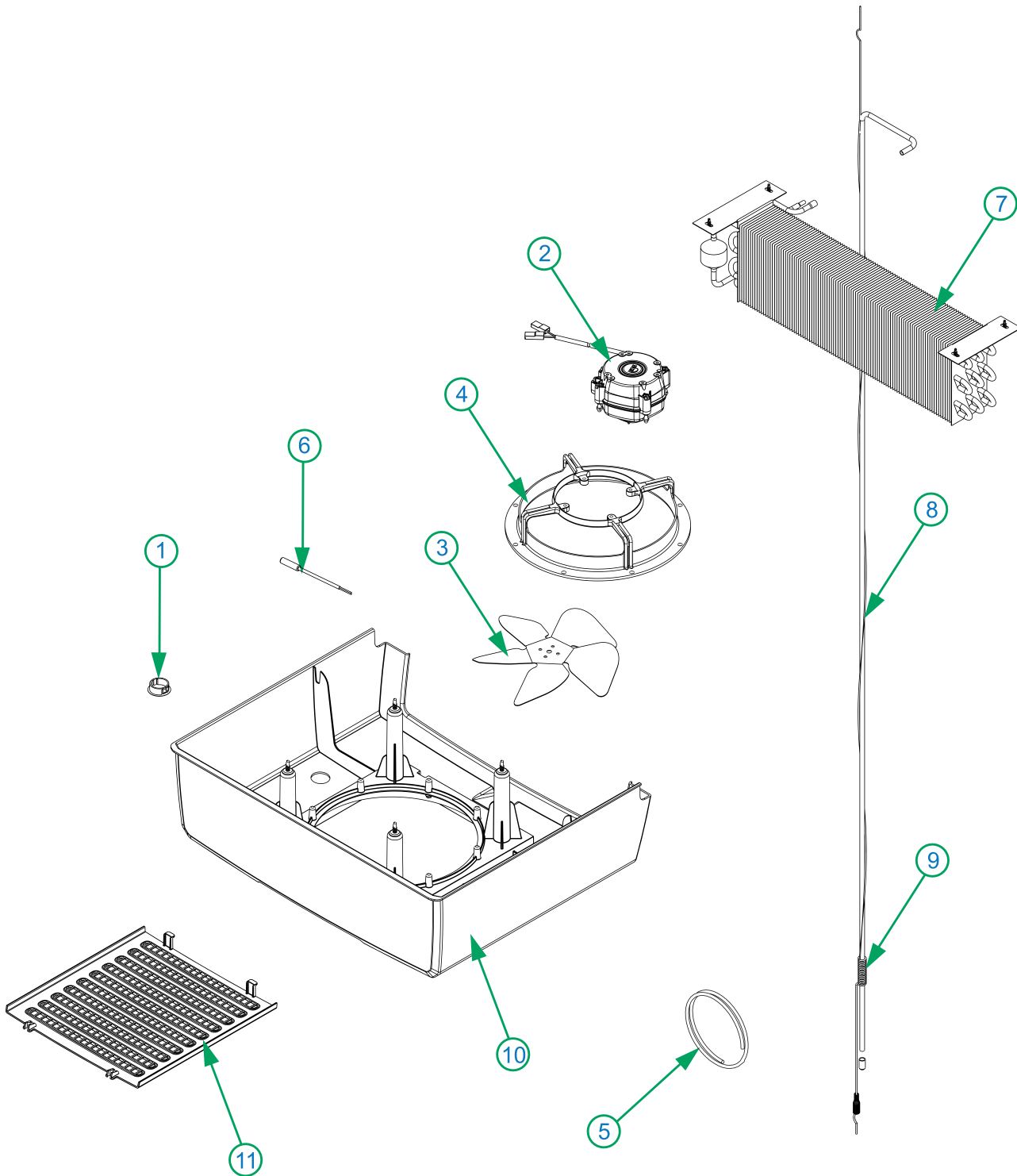
General Assembly



Parts Breakdown

Model VR12 41217

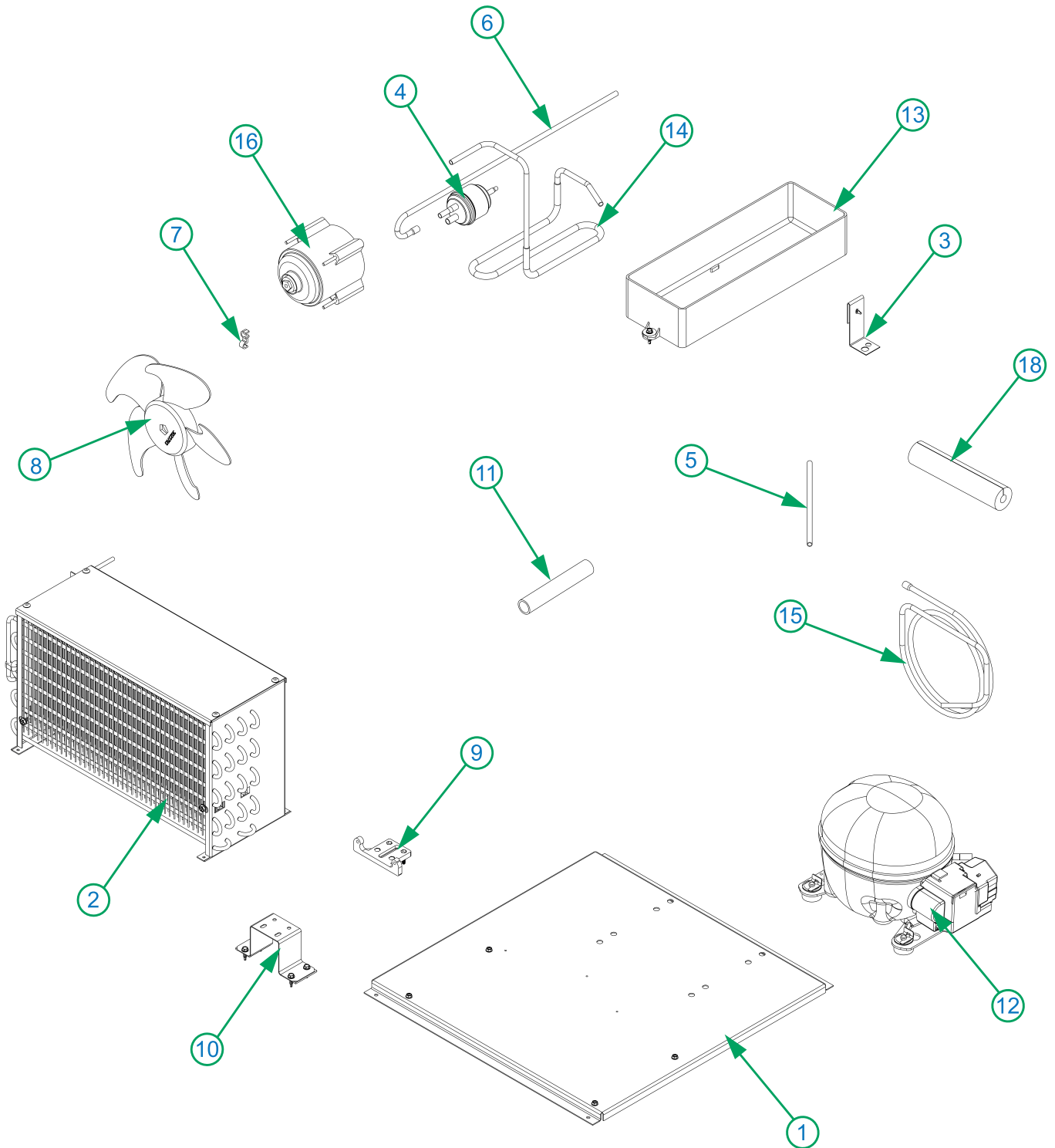
Evaporator Assembly



Parts Breakdown

Model VR12 41217

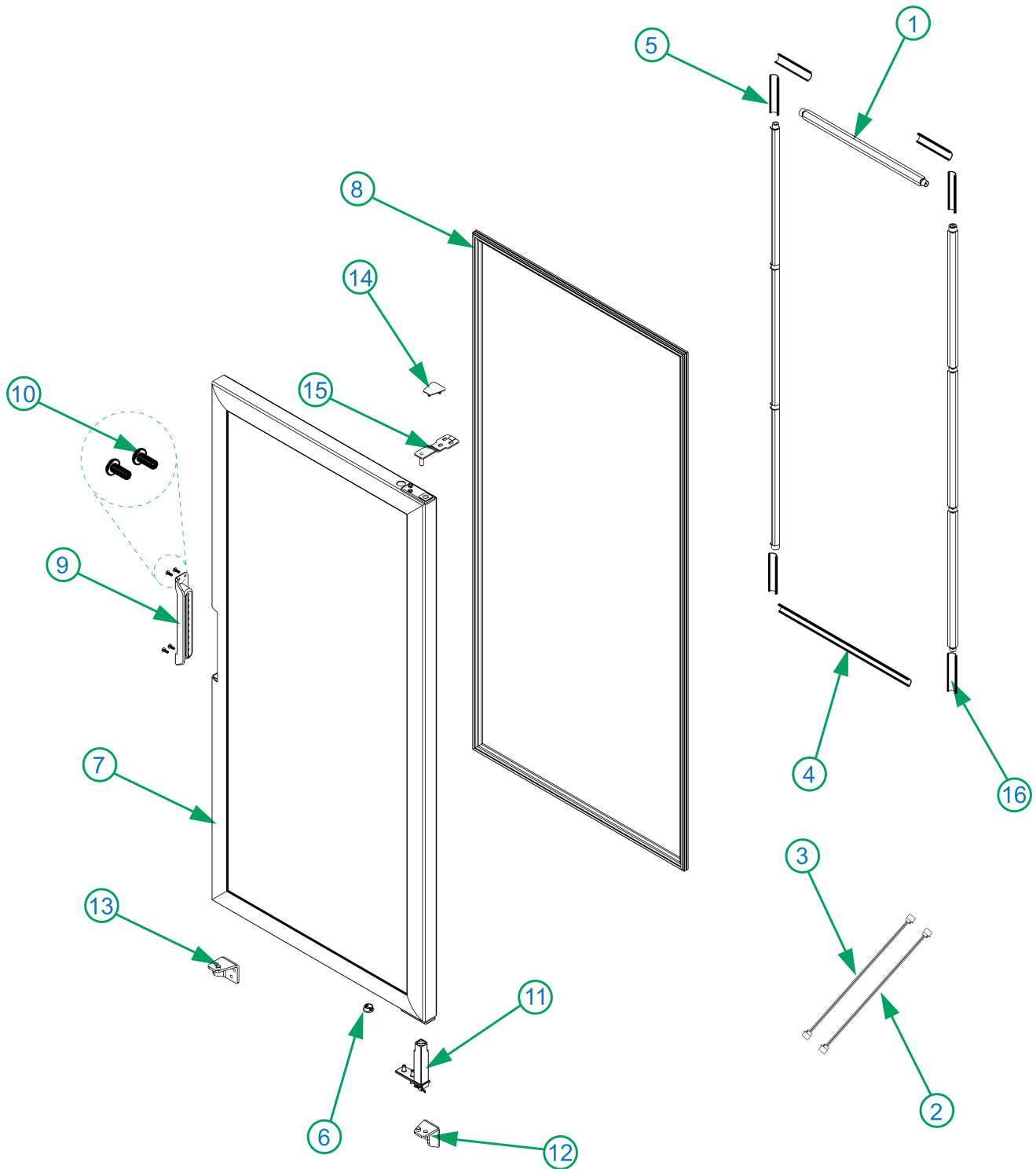
Condenser Assembly



Parts Breakdown

Model VR12 41217

Door Assembly



Parts Breakdown

Model VR12 41217

General Assembly

Item No.	Description	Position	Item No.	Description	Position	Item No.	Description	Position
AD562	Pilaster for 41217	1	AD571	Driver 24W for 41217	10	AD578	Magnetic Support Switch for 41217	19
AD563	Anti-Vacuum Moulding for 41217	2	AD572	Power Cord for 41217	11	AD579	Control Knob for 41217	20
AD564	Tube Cover for 41217	3	AD573	Back Grill for 41217	12	AD580	Main Harness for 41217	21
AD565	Mold Deflector Support for 41217	4	AD574	Shelf for 41217	13	AD581	Harness Motor for 41217	
AD566	Deflector Molding for 41217	5	66645	Clip F/Pilaster for 41217	14	AD582	LED Harness for 41217	
AD567	Wire Cover for 41217	6	66507	Thermometer, Wall MTG, 3017492 for 41217	15	AD583	Motor Ground Harness for 41217	
AD568	Switch for 41217	7	AD575	Leveling Leg for 41217	16	AD584	Compressor Harness for 41217	
AD569	Temperature Control for 41217	8	AD576	Wall Spacer for 41217	17			
AD570	Control Support for 41217	9	AD577	Front Grill for 41217	18			

Evaporator Assembly

Item No.	Description	Position	Item No.	Description	Position	Item No.	Description	Position
AD585	Stopper for 41217	1	AD587	Hose for 41217	5	AD591	Capillary Tube 0.036"x150" for 41217	9
AD586	Evaporator Fan Motor for 41217	2	AD588	Temperature Sensor for 41217	6	AD592	Evaporator Housing for 41217	10
66477	Fan Blade Elc Pla 8" Diam. 28 Deg. for 41217	3	AD589	Evaporator for 41217	7	AD593	Evaporator Housing Grill for 41217	11
66493	ABS O Motor Evaporator Support for 41217	4	AD590	Heat Exchanger for 41217	8			

Condenser Assembly

Item No.	Description	Position	Item No.	Description	Position	Item No.	Description	Position
AD594	Compressor Base for 41217	1	AD599	Pipe Support for 41217	7	AD603	Condensate Pan for 41217	13
AD595	Condenser for 41217	2	66477	Fan Blade Elc Pla 8" Diam. 28 Deg. for 41217	8	AD604	Discharge Pipe for 41217	14
AD596	Condenser Pan Support for 41217	3	66476	Nylon T Motor Injected Support for 41217	9	AD605	Suction Line for 41217	15
AD597	Filter Drier for 41217	4	AD600	Motor Stand for 41217	10	66668	Condenser Fan Motor, 16W 1850RPM for 41217	16
66419	Charge Pipe 1/4" 0.180M for 41217	5	AD601	Hose for 41217	11	AD606	Acc Compressor Kit for 41217	17
AD598	Vacuum Pipe for 41217	6	AD602	Compressor for 41217	12	AD607	Pipe Insulation for 41217	18

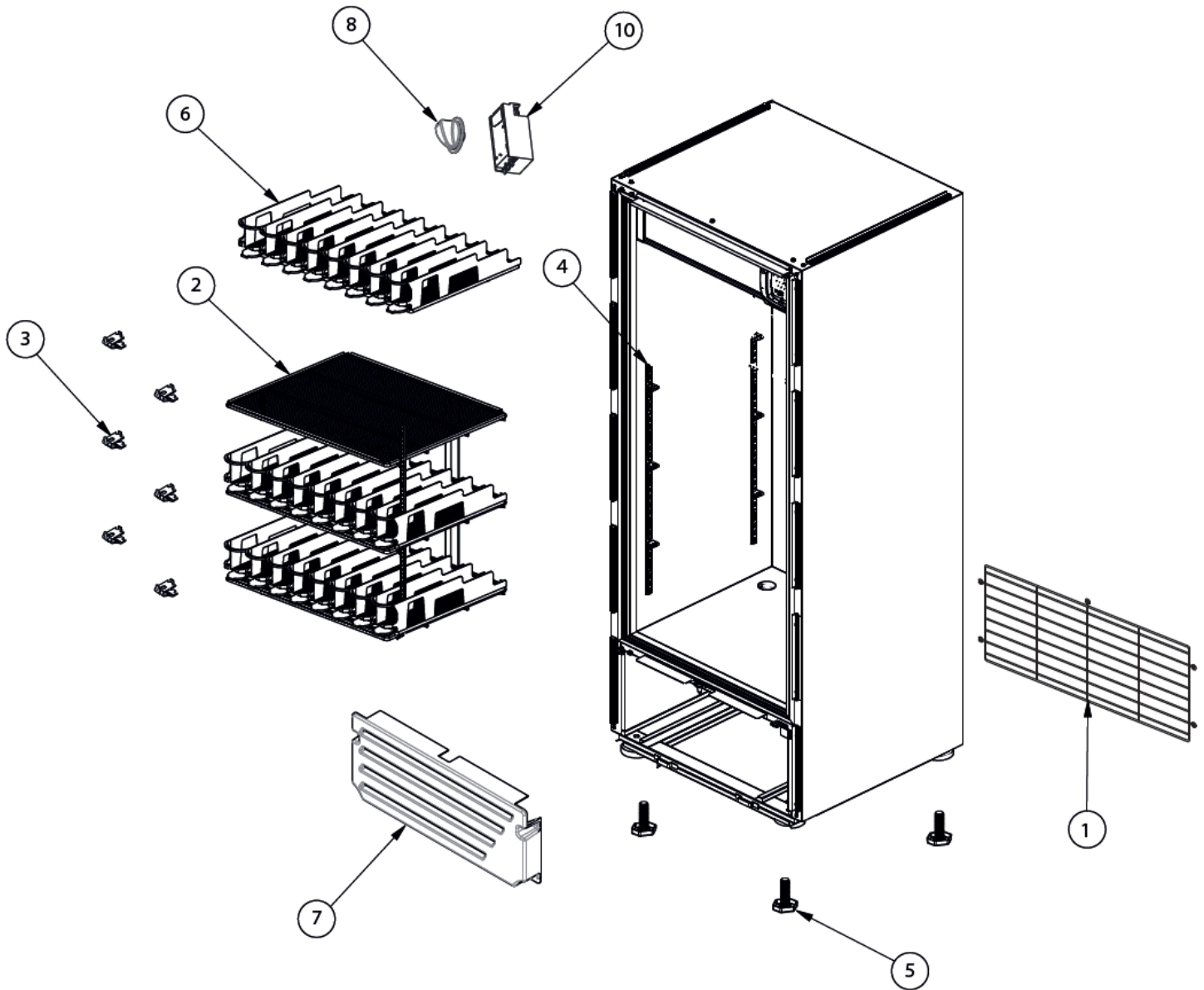
Door Assembly

Item No.	Description	Position	Item No.	Description	Position	Item No.	Description	Position
AD608	LED Module for 41217	1	AD614	Glass Door for 41217	7	AD619	Bottom Hinge for 41217	13
AD609	F-M Module Harness for 41217	2	AD615	Gasket for 41217	8	AD620	Hinge Cover Position for 41217	14
AD610	F-M Module Harness for 41217	3	AD616	Plastic Door Handle for 41217	9	AD621	Top Hinge for 41217	15
AD611	Moulding Glass Fixer Cover for 41217	4	AD617	Removable Rivet for 41217	10	AD622	Moulding Glass Fixer Cover for 41217	16
AD612	Moulding Glass Fixer Cover for 41217	5	66559	Self Closing G319 UL V10 for 41217	11			
AD613	Stopper for 41217	6	AD618	Bottom Hinge for 41217	12			

Parts Breakdown

Model VR10 41216

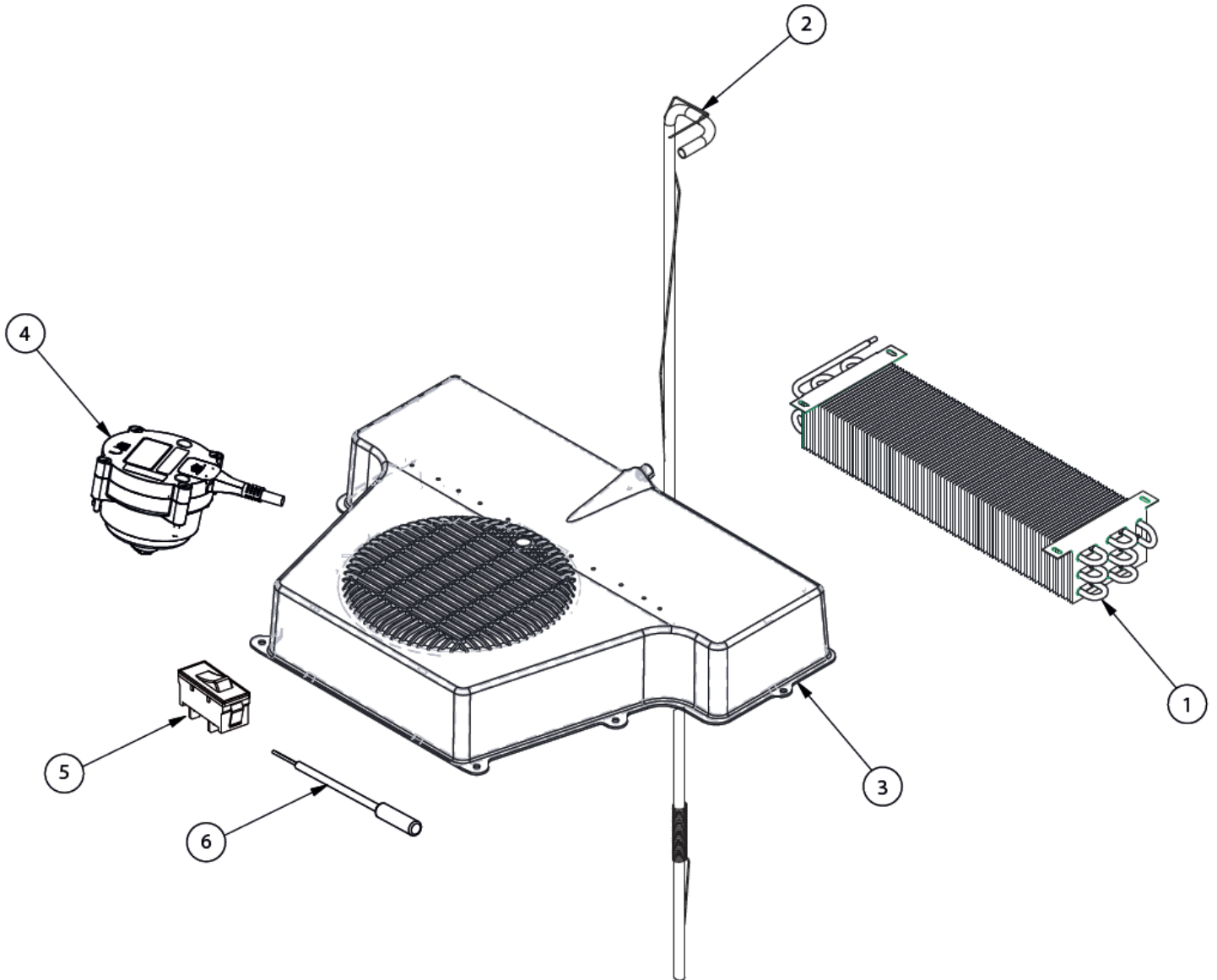
General Assembly



Parts Breakdown

Model VR10 41216

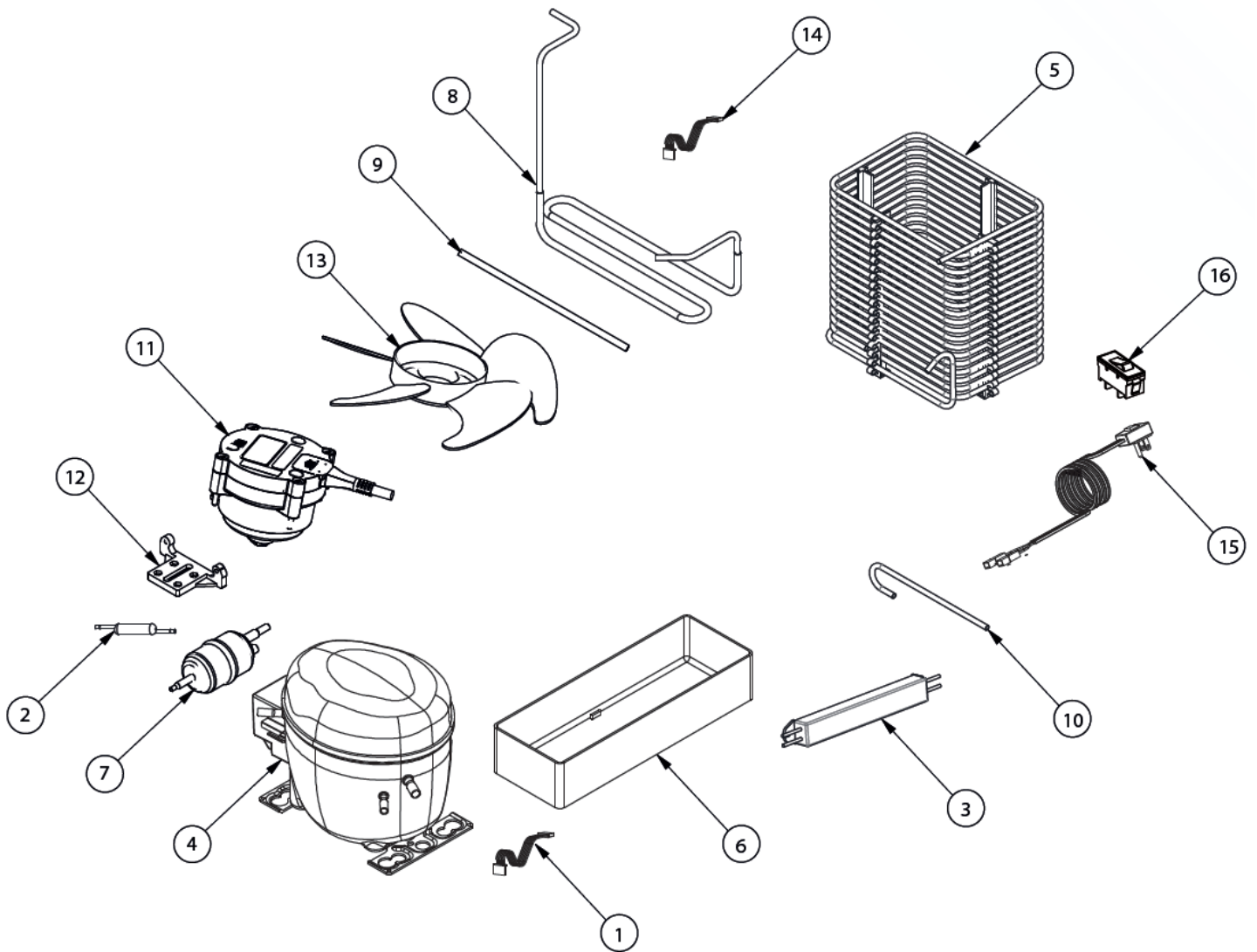
Evaporator Assembly



Parts Breakdown

Model VR10 41216

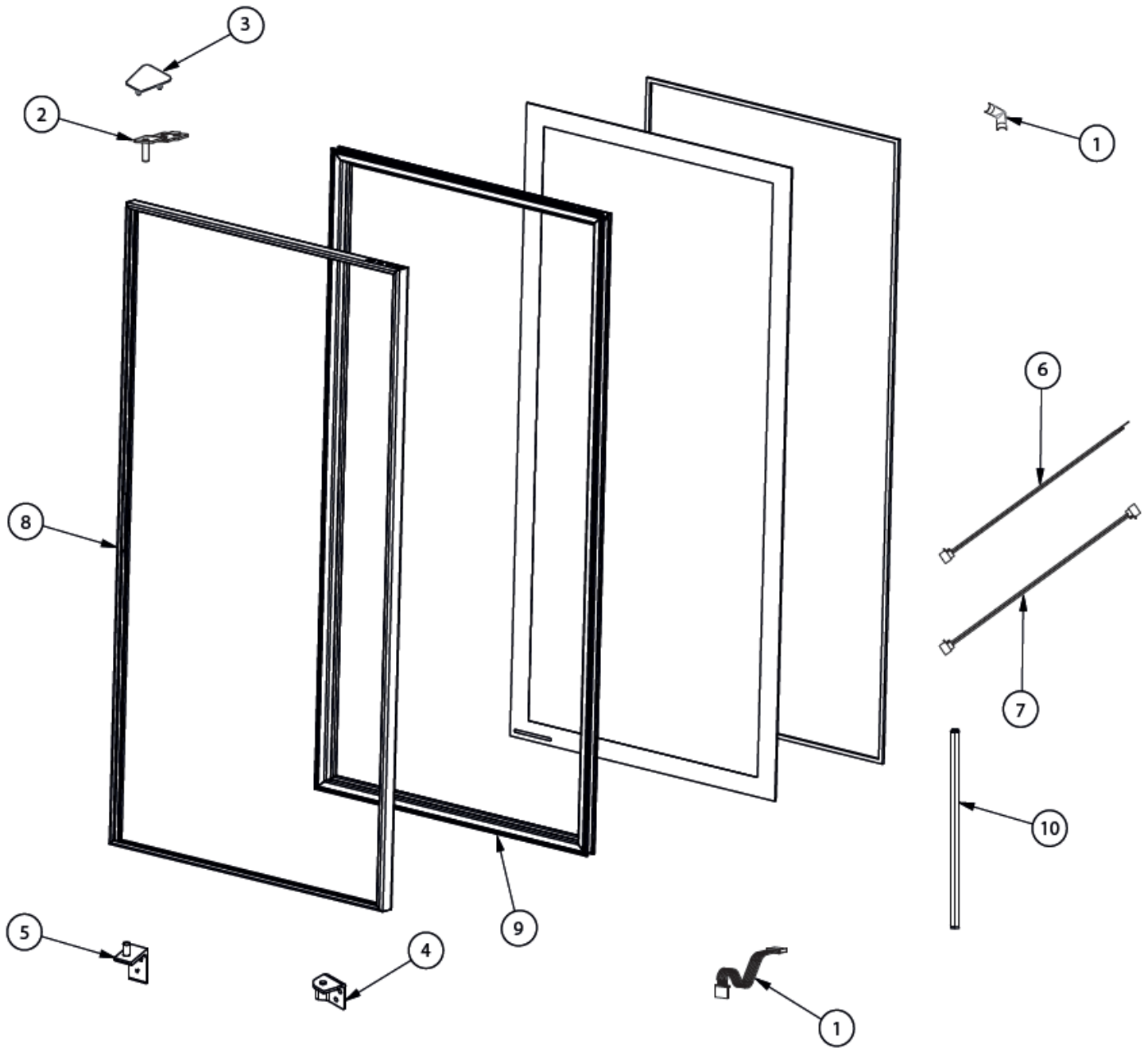
Condenser Assembly



Parts Breakdown

Model VR10 41216

Door Assembly



Parts Breakdown

Model VR10 41216

General Assembly

Item No.	Description	Position	Item No.	Description	Position	Item No.	Description	Position
66460	Grill, Wire Rear VR10x12 UL for 41216	1	66443	Leveling Screw, 1/2"-13x1 1/2" for 41216	5	66400	Thermometer, Wall MTG for 41216	9
66461	Shelf for 41216	2	66463	Kit Visislide Low 6 FTES CCE V12 for 41216	6	66438	Controller, ELE BEV 115V N/SEN for 41216	10
66399	Clip, F/Pilaster 16G Polished for 41216	3	66464	Front Grill, THER BK V14 L/RHinge PL for 41216	7			
66462	Pilaster 212 3B Diam 6.7 for 41216	4	66396	Knob, ABS Control for 41216	8			

Evaporator Assembly

Item No.	Description	Position	Item No.	Description	Position	Item No.	Description	Position
66465	Evaporator 150 14T 5/16 CU 6FPI FL400 for 41216	1	66466	Evaporator Housing MET 4N for 41216	3	66468	Rocker Switch, BK for 41216	5
66405	Cap Tube 0.036x96" for 41216	2	66467	Motor E WEL 1/70HP 115V 50/60HZ 1800RPM for 41216	4	66469	Temp Sensor, ETC1H 1.0M for 41216	6

Condenser Assembly

Item No.	Description	Position	Item No.	Description	Position	Item No.	Description	Position
66470	Main Harness ETC1H BL for 41216	1	66417	Filter Dryer 0.9 HP DCL for 41216	7	66477	Fan Blade ELC PLA 8" Diam. 28 Deg. for 41216	13
66471	Accumulator CU 1 3/8" Diam.x4" for 41216	2	66473	Discharge Pipe 1/4" 1.000M for 41216	8	66478	Arnes Unidas ETC1H UL for 41216	14
66449	LED Driver, VB-12030D018 30W 115V 50/60HZ for 41216	3	66419	Charge Pipe 1/4" 0.180M for 41216	9	66425	Power Cord 115V 15A 14AWG for 41216	15
66472	Compressor EMB EMI55HER 115V 60HZ for 41216	4	66474	Vacuum Pipe 1/4" 0.450M for 41216	10	66402	Rocker Switch, BK for 41216	16
66451	Condenser, HEL 13S 5/16 CU SQU for 41216	5	66475	Motor, E ELC 16W 115V 50/60HZ 1850RPM for 41216	11			
66452	ABS Condenser Pan for 41216	6	66476	Nylon T Motor Injected Support for 41216	12			

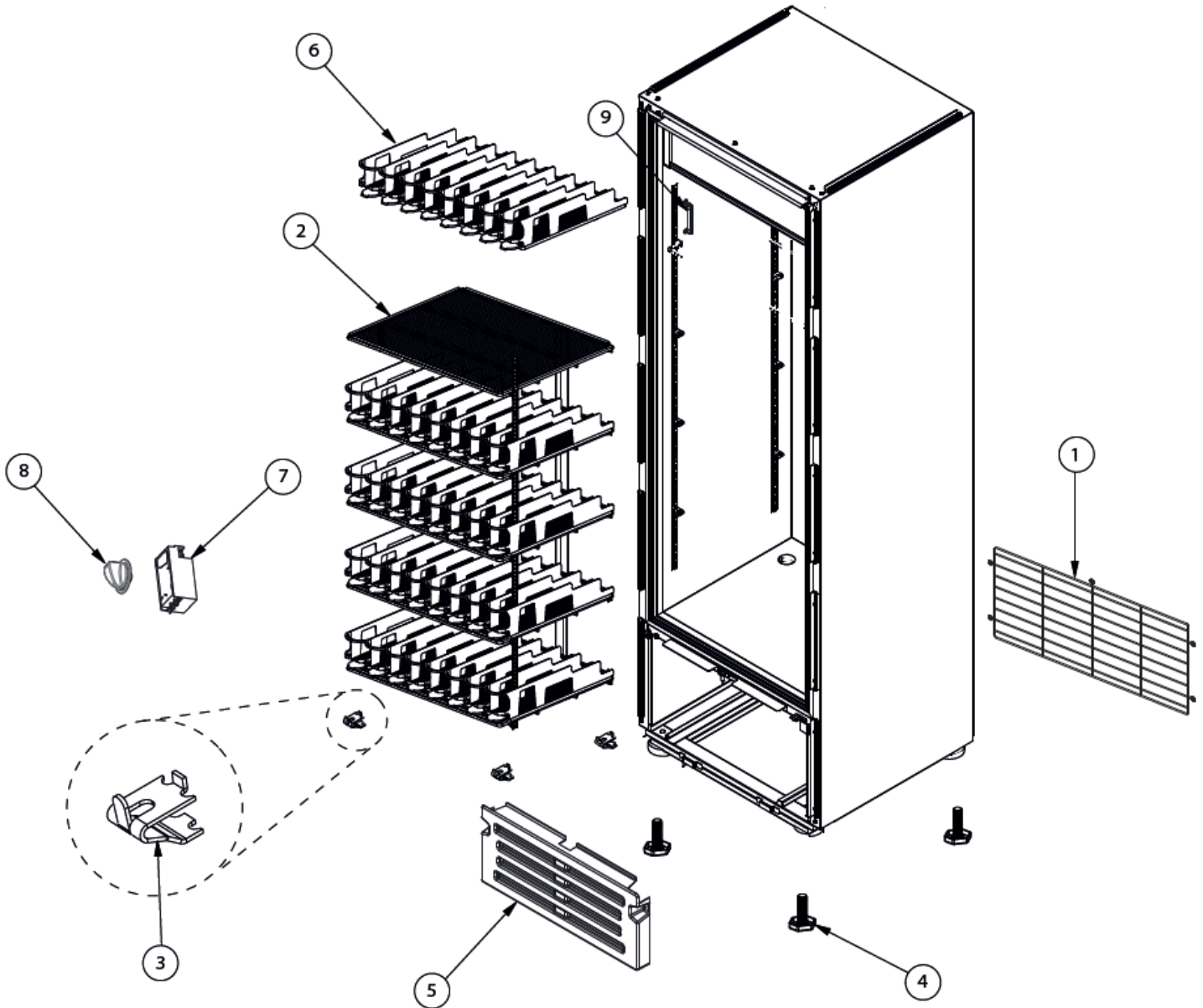
Door Assembly

Item No.	Description	Position	Item No.	Description	Position	Item No.	Description	Position
66479	PVC Drain Curved Coupler for 41216	1	66482	Met Bottom Hinge LEF SCC TR34.5 for 41216	5	66486	Universal Door Gasket 628x1098mm for 41216	9
66434	Met Top Hinge UNI Slope OPT for 41216	2	66483	F-M Moduled Harness for 41216	6	66455	Module, 6 LEDS 1.2W 12V for 41216	10
66480	Hinge Top OPT BL Cover for 41216	3	66484	F-Driver Moduled Harness for 41216	7			
66481	MET Bottom Hinge RIG SCC TR34.5 for 41216	4	66485	Door G J RHG LED SCC BDH for 41216	8			

Parts Breakdown

Model G319 HC 45445
Model G319 41161

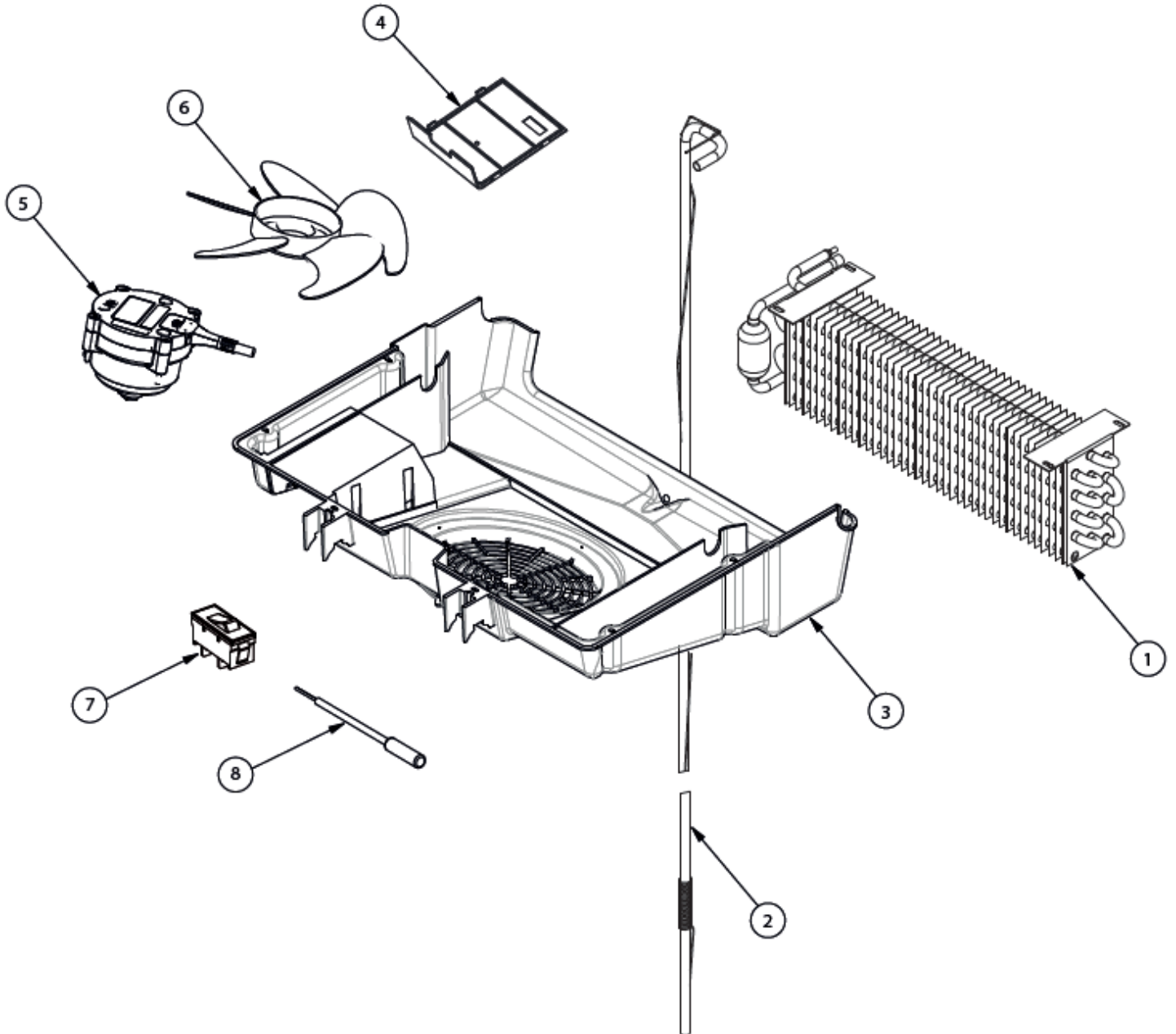
General Assembly



Parts Breakdown

Model G319 HC 45445
Model G319 41161

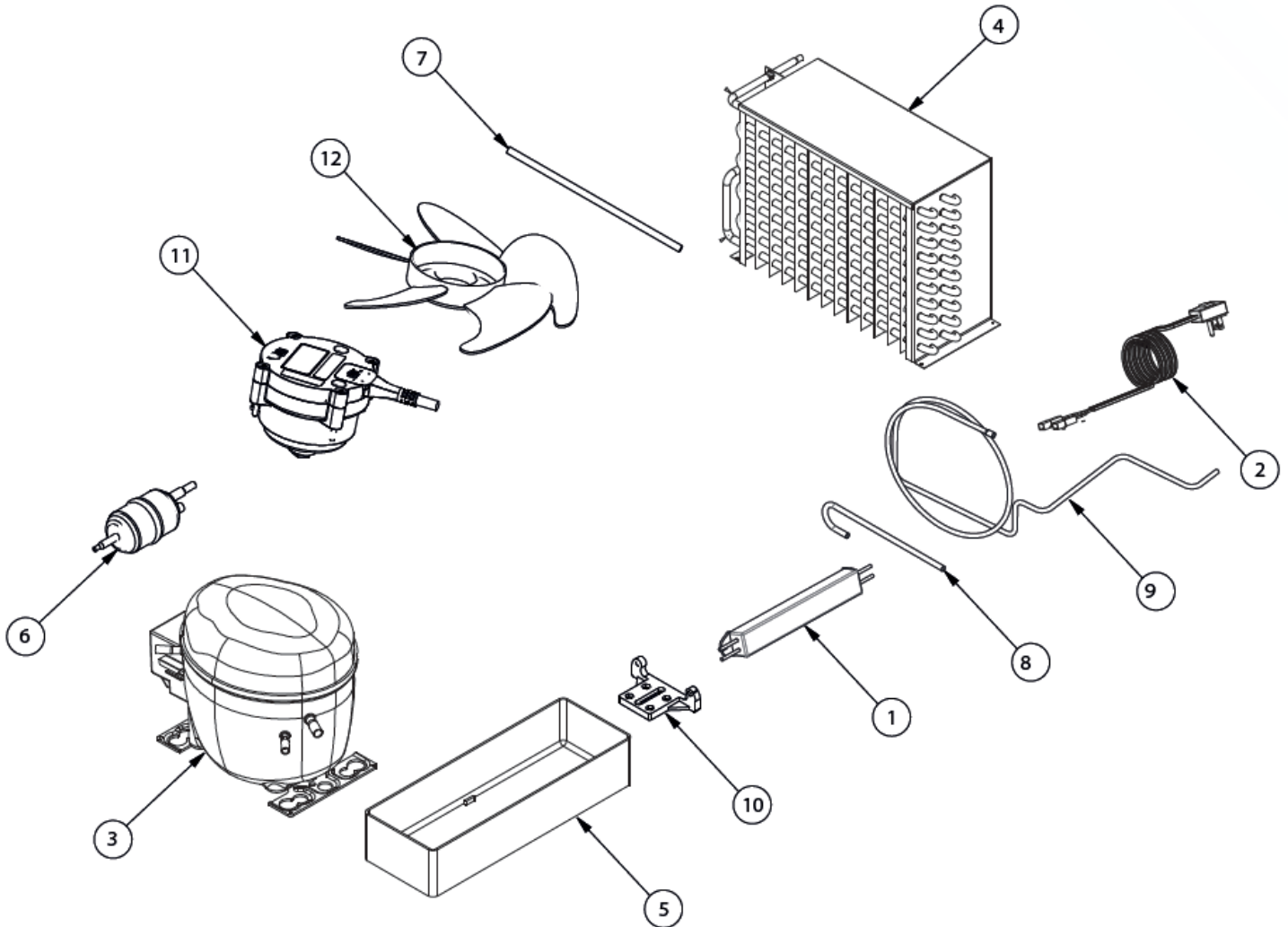
Evaporator Assembly



Parts Breakdown

Model G319 HC 45445
Model G319 41161

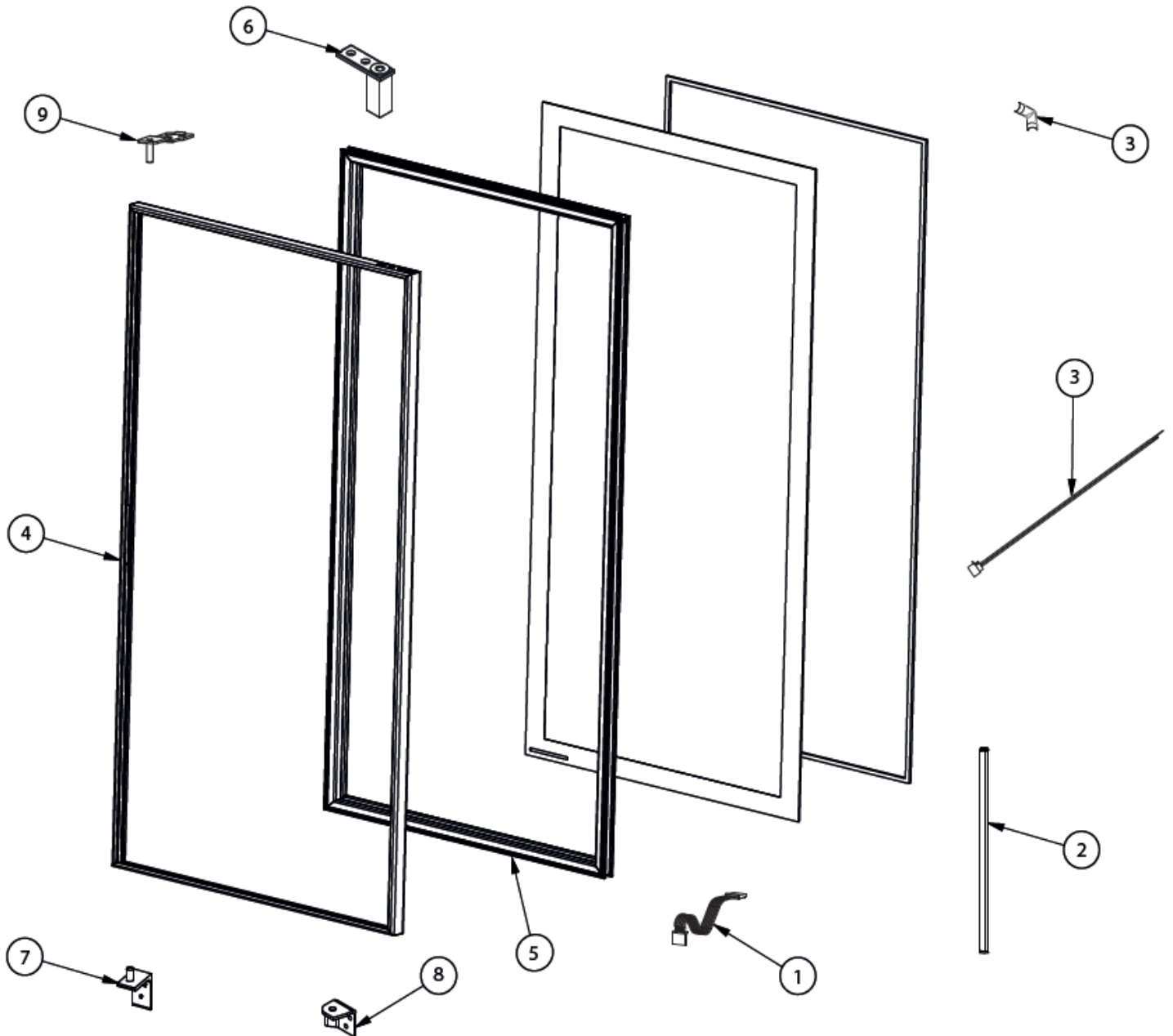
Condenser Assembly



Parts Breakdown

Model G319 HC 45445
Model G319 41161

Door Assembly



Parts Breakdown

Model G319 HC 45445

General Assembly

Item No.	Description	Position	Item No.	Description	Position	Item No.	Description	Position
62480	Back Grill for 45445	1	66443	Leveling Screw, 1/2"-13x1 1/2" for 45445	4	66506	Controller ELE BEV 115V N/SEN 6T for 45445	7
AD560	Shelf G313x16x19 UL Black for 45445	2	66504	Front Grill, Ther BK Hole for 45445	5	66396	Knob, ABS Control for 45445	8
66399	Clip, F/Pilaster 16G Polished for 45445	3	AD561	Kit Visislide Low 8 FTES CCE V12 Black for 45445	6	66507	Thermometer, Wall MTG, 3017492 for 45445	9

Evaporator Assembly

Item No.	Description	Position	Item No.	Description	Position	Item No.	Description	Position
66508	Evaporator 332 20T 1/4 AL 6FPI FIL490 PAI for 45445	1	66511	Cover, PLA CTRL WT G3 for 45445	4	66402	Rocker Switch, BK for 45445	7
66509	Cap Pipe, 0.049x120" for 45445	2	66512	Motor E WEL 1/70HP 115V 50/60HZ 1800RPM for 45445	5	66514	Temperature Sensor 3M ETC1H for 45445	8
66510	Evaporator Housing ABS for 45445	3	66513	Fan Blade, WEL PLA 8" Diam 28 Deg. for 45445	6			

Condenser Assembly

Item No.	Description	Position	Item No.	Description	Position	Item No.	Description	Position
66515	LED Current, Driver 24W R2 S450 W/ CON for 45445	1	66518	ABS Condenser Pan EV46x72 for 45445	5	66519	Suction Pipe 5/16" 1.400M CCV144 R2 for 45445	9
66425	Power Cord 115V 15A 14AWG for 45445	2	66417	Filter Dryer 0.9 HP DCL for 45445	6	66520	Motor E WEL 1/70HP 115V 50/60HZ 1800RPM for 45445	10
66516	Compressor SEC DEL-6.5CN 115V 60HZ R2 for 45445	3	66419	Charge Pipe 1/4" 0.180M for 45445	7	66512	Motor E WEL 1/70HP 115V 50/60HZ 1800RPM for 45445	11
66517	Condenser 388 NFI 72T 3/16 FE PAI UL HM for 45445	4	66474	Vacuum Pipe 1/4" 0.450M for 45445	8	66454	Fan Blade, WEL PLA 8 3/4 Diam. 25 Deg. for 45445	12

Door Assembly

Item No.	Description	Position	Item No.	Description	Position	Item No.	Description	Position
66521	Harness, Door HG NGD UL 1DRV for 45445	1	66524	Door G J RHG LED SCC W/Wire BDH for 45445	4	69050	Hinge - Met Bot LEF SCC G00 for 45445	7, 8
66522	Module, 8 LEDS 1.2W 54MA V7 Serie for 45445	2	66525	Door Gasket Universal 748x1627mm for 45445	5	66434	Met Top Hinge UNI Slope OPT for 45445	9
66523	Harness, F-M Moduled V7 for 45445	3	66526	Self Closing, Steek-TSL BK W/Wire for 45445	6			

Parts Breakdown

Model G319 41161

General Assembly

Item No.	Description	Position	Item No.	Description	Position	Item No.	Description	Position
62480	Back Grill for 41161	1	66443	Leveling Screw, 1/2"-13x1 1/2" for 41161	4	66506	Controller ELE BEV 115V N/SEN 6T for 41161	7
66503	Shelf G313x16x19 UL for 41161	2	66504	Front Grill, Ther BK Hole for 41161	5	66396	Knob, ABS Control for 41161	8
66399	Clip, F/Pilaster 16G Polished for 41161	3	66505	Kit Visislide Low 8 FTES CCE V12 for 41161	6	66507	Thermometer, Wall MTG, 3017492 for 41161	9

Evaporator Assembly

Item No.	Description	Position	Item No.	Description	Position	Item No.	Description	Position
66508	Evaporator 332 20T 1/4 AL 6FPI FIL490 PAI for 41161	1	66511	Cover, PLA CTRL WT G3 for 41161	4	66402	Rocker Switch, BK for 41161	7
66509	Cap Pipe, 0.049x120" for 41161	2	66512	Motor E WEL 1/70HP 115V 50/60HZ 1800RPM for 41161	5	66514	Temperature Sensor 3M ETC1H for 41161	8
66510	Evaporator Housing ABS for 41161	3	66513	Fan Blade, WEL PLA 8" Diam 28 Deg. for 41161	6			

Condenser Assembly

Item No.	Description	Position	Item No.	Description	Position	Item No.	Description	Position
66515	LED Current, Driver 24W R2 S450 W/ CON for 41161	1	66518	ABS Condenser Pan EV46x72 for 41161	5	66519	Suction Pipe 5/16" 1.400M CCV144 R2 for 41161	9
66425	Power Cord 115V 15A 14AWG for 41161	2	66417	Filter Dryer 0.9 HP DCL for 41161	6	66520	Motor E WEL 1/70HP 115V 50/60HZ 1800RPM for 41161	10
66516	Compressor SEC DEL-6.5CN 115V 60HZ R2 for 41161	3	66419	Charge Pipe 1/4" 0.180M for 41161	7	66512	Motor E WEL 1/70HP 115V 50/60HZ 1800RPM for 41161	11
66517	Condenser 388 NFI 72T 3/16 FE PAI UL HM for 41161	4	66474	Vacuum Pipe 1/4" 0.450M for 41161	8	66454	Fan Blade, WEL PLA 8 3/4 Diam. 25 Deg. for 41161	12

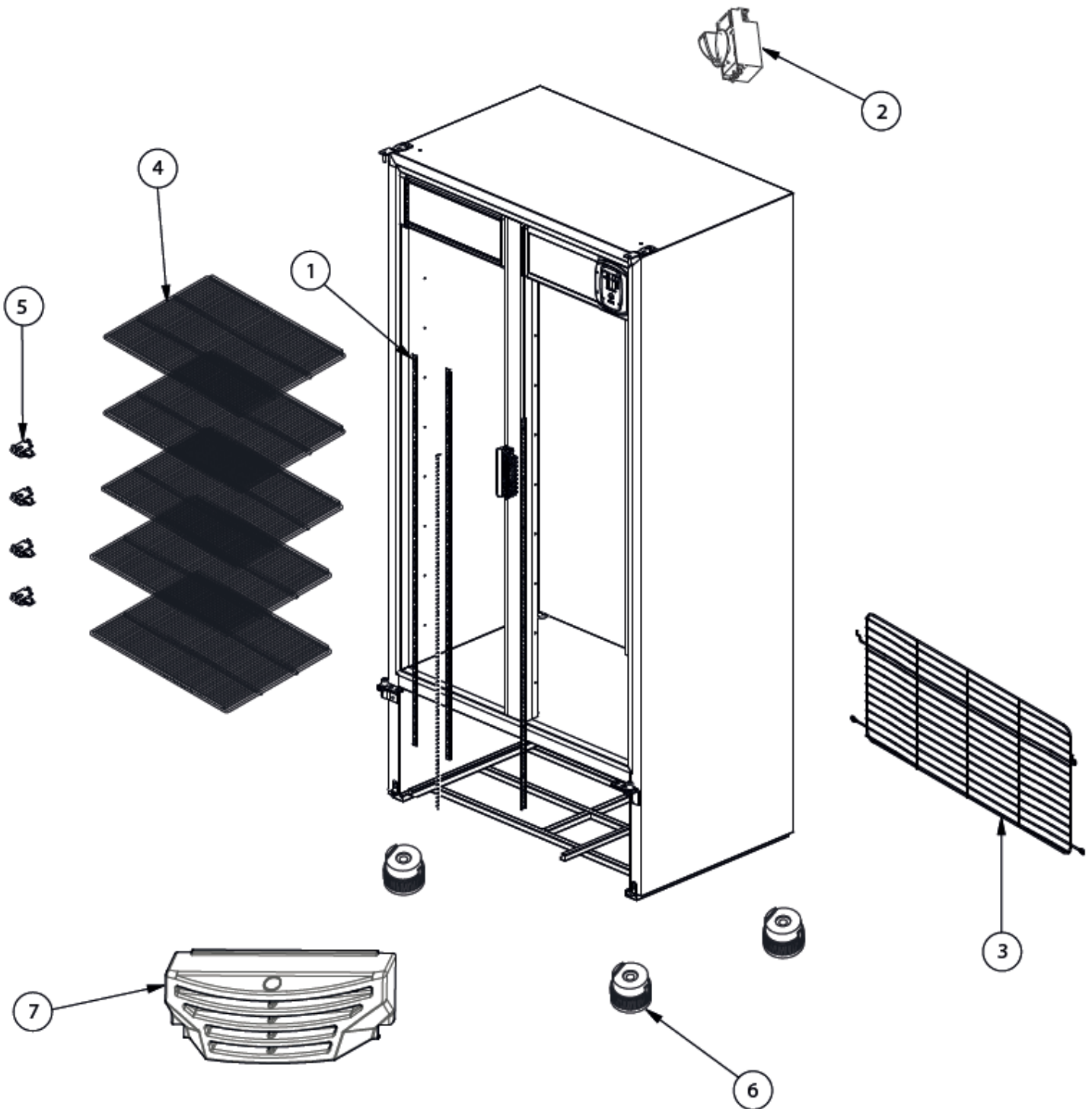
Door Assembly

Item No.	Description	Position	Item No.	Description	Position	Item No.	Description	Position
66521	Harness, Door HG NGD UL 1DRV for 41161	1	66524	Door G J RHG LED SCC W/Wire BDH for 41161	4	69050	Hinge - Met Bot LEF SCC G00 for 41161	7, 8
66522	Module, 8 LEDS 1.2W 54MA V7 Serie for 41161	2	66525	Door Gasket Universal 748x1627mm for 41161	5	66434	Met Top Hinge UNI Slope OPT for 41161	9
66523	Harness, F-M Moduled V7 for 41161	3	66526	Self Closing, Steek-TSL BK W/Wire for 41161	6			

Parts Breakdown

Model VRD26 41219

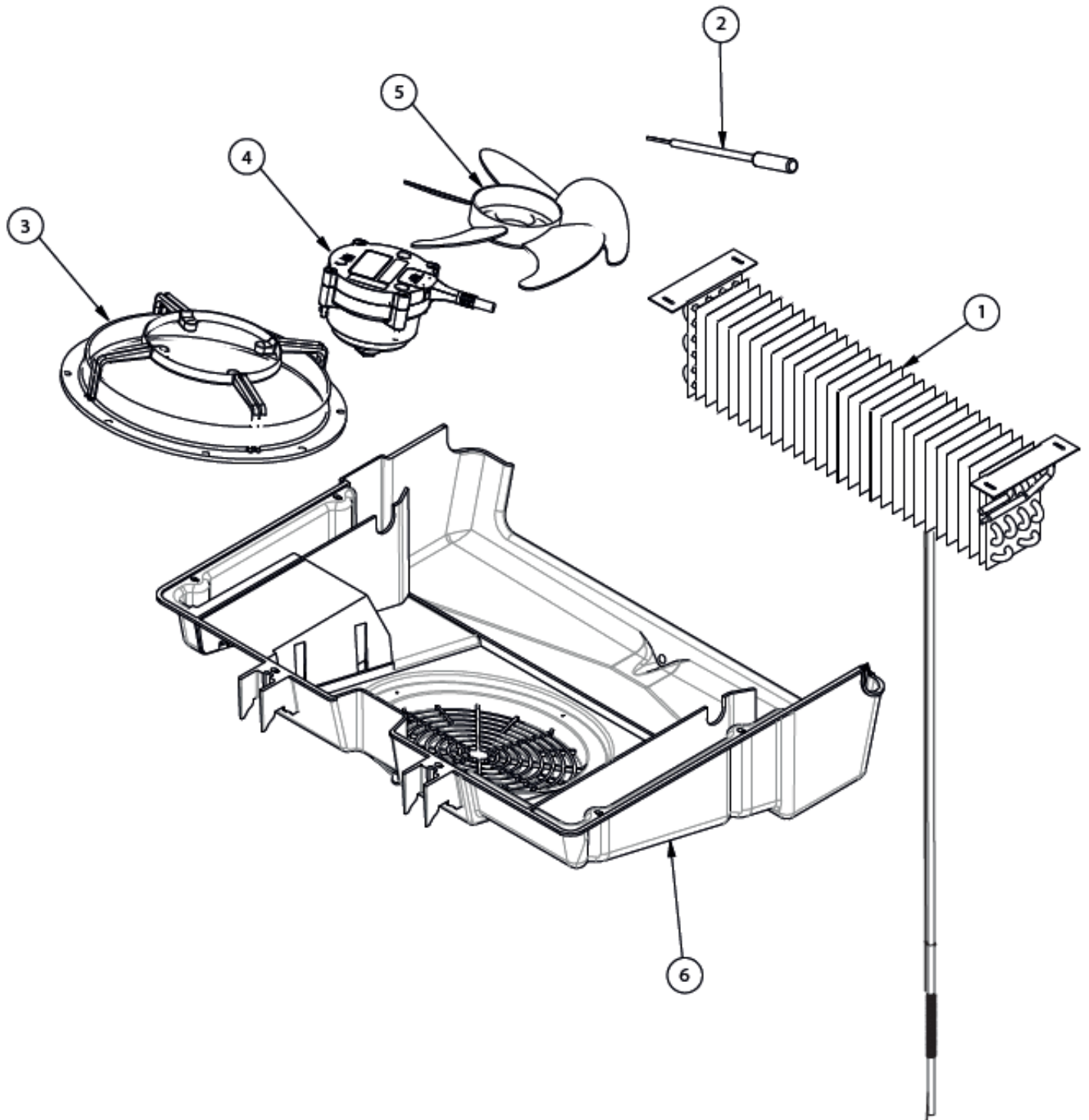
General Assembly



Parts Breakdown

Model VRD26 41219

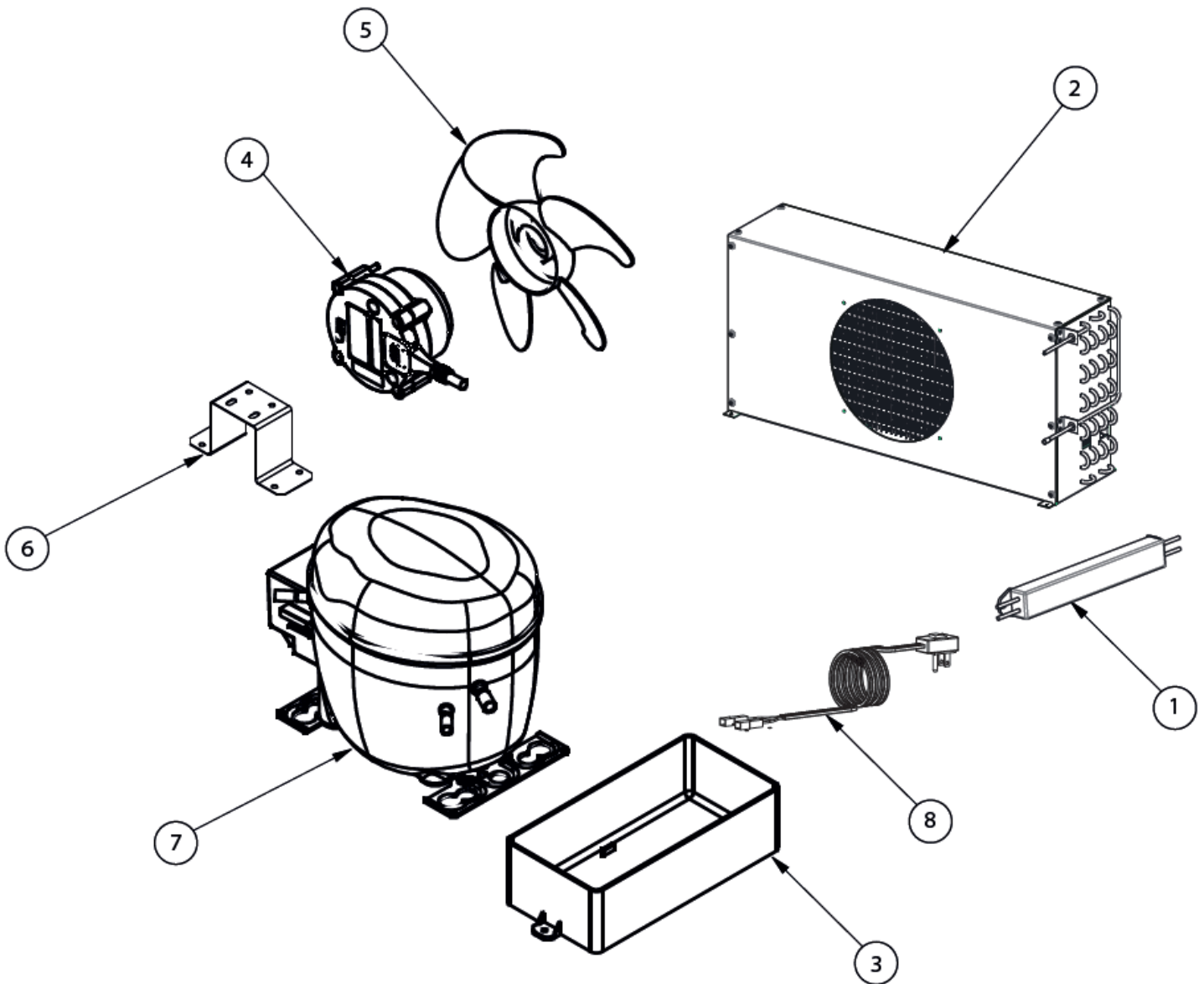
Evaporator Assembly



Parts Breakdown

Model VRD26 41219

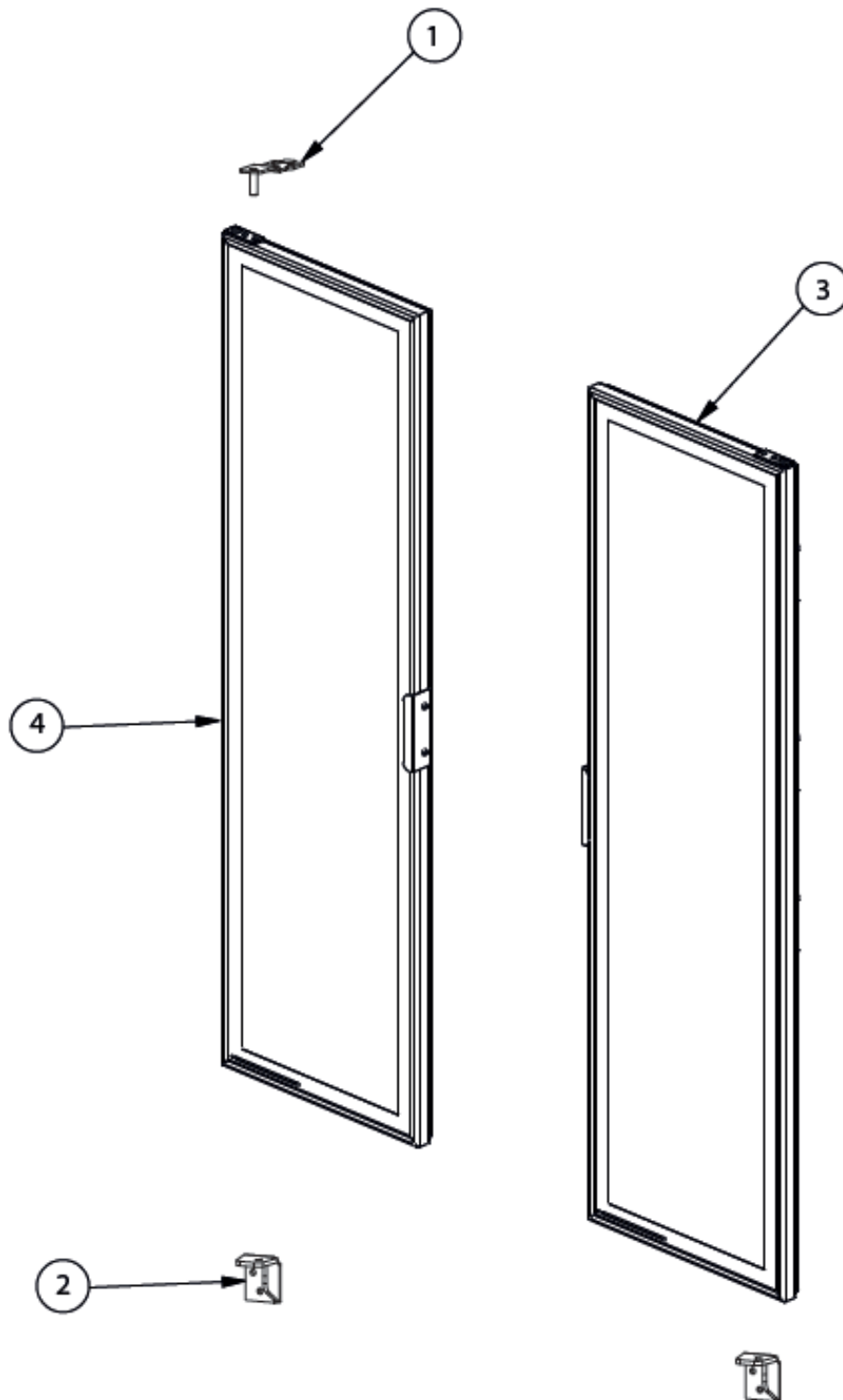
Condenser Assembly



Parts Breakdown

Model VRD26 41219

Door Assembly



Parts Breakdown

Model VRD26 41219

General Assembly

Item No.	Description	Position	Item No.	Description	Position	Item No.	Description	Position
66529	Pilaster, 1268 6B Diam 6.35 for 41219	1	66532	Shelf, G322x26 for 41219	4	66534	Front Grill, Ther BK VL300 L/R Hinge for 41219	7
66530	Controller. ELE BEV 115V N/SEN for 41219	2	66399	Clip, F/Pilaster 16G Polished for 41219	5			
66531	Grill, Wire Rear for 41219	3	66533	Baseboard, PE Rail ARG G3 for 41219	6			

Evaporator Assembly

Item No.	Description	Position	Item No.	Description	Position	Item No.	Description	Position
66535	Evaporator 20T 3/8 CU 6FPI FIL491 PAH for 41219	1	66409	Nylon Motor Ring for 41219	3	66477	Fan Blade ELC PLA 8" Diam. 28 Deg. for 41219	5
66469	Temp Sensor, ETC1H 1.0M for 41219	2	66475	Motor, E ELC 16W 115V 50/60HZ 1850RPM for 41219	4	66510	Evaporator Housing ABS for 41219	6

Condenser Assembly

Item No.	Description	Position	Item No.	Description	Position	Item No.	Description	Position
66536	LED Driver, VDM#3017356 for 41219	1	66475	Motor, E ELC 16W 115V 50/60HZ 1850RPM for 41219	4	66538	Compressor SEC NF 11FX 115V 60HZ for 41219	7
66537	Condenser, NFI 72T 5/16 CU V225 Diam. for 41219	2	66477	Fan Blade ELC PLA 8" Diam. 28 Deg. for 41219	5	66425	Power Cord 115V 15A 14AWG for 41219	8
66518	ABS Condenser Pan EV46x72 for 41219	3	66446	ABS Motor Evaporator Support for 41219	6			

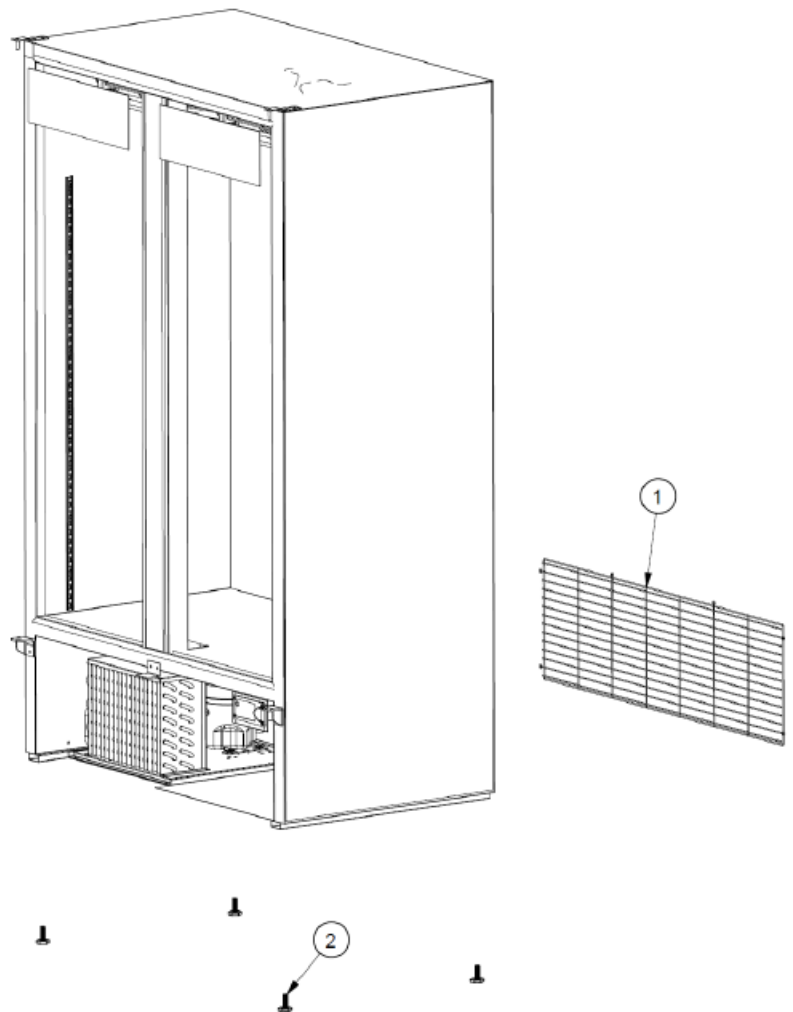
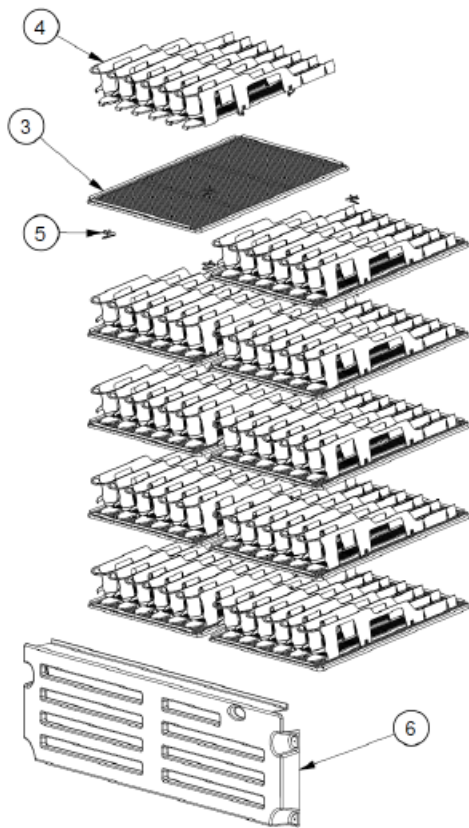
Door Assembly

Item No.	Description	Position	Item No.	Description	Position
66539	Hinge, Met Top UNI Slope for 41219	1	66541	Door G J LEF LED SCS BDH for 41219	3
66540	Hinge, Met Bot UNI SCS TR31 for 41219	2	66542	Door G J RIG LED SCS BDH for 41219	4

Parts Breakdown

Model VRD37 42862

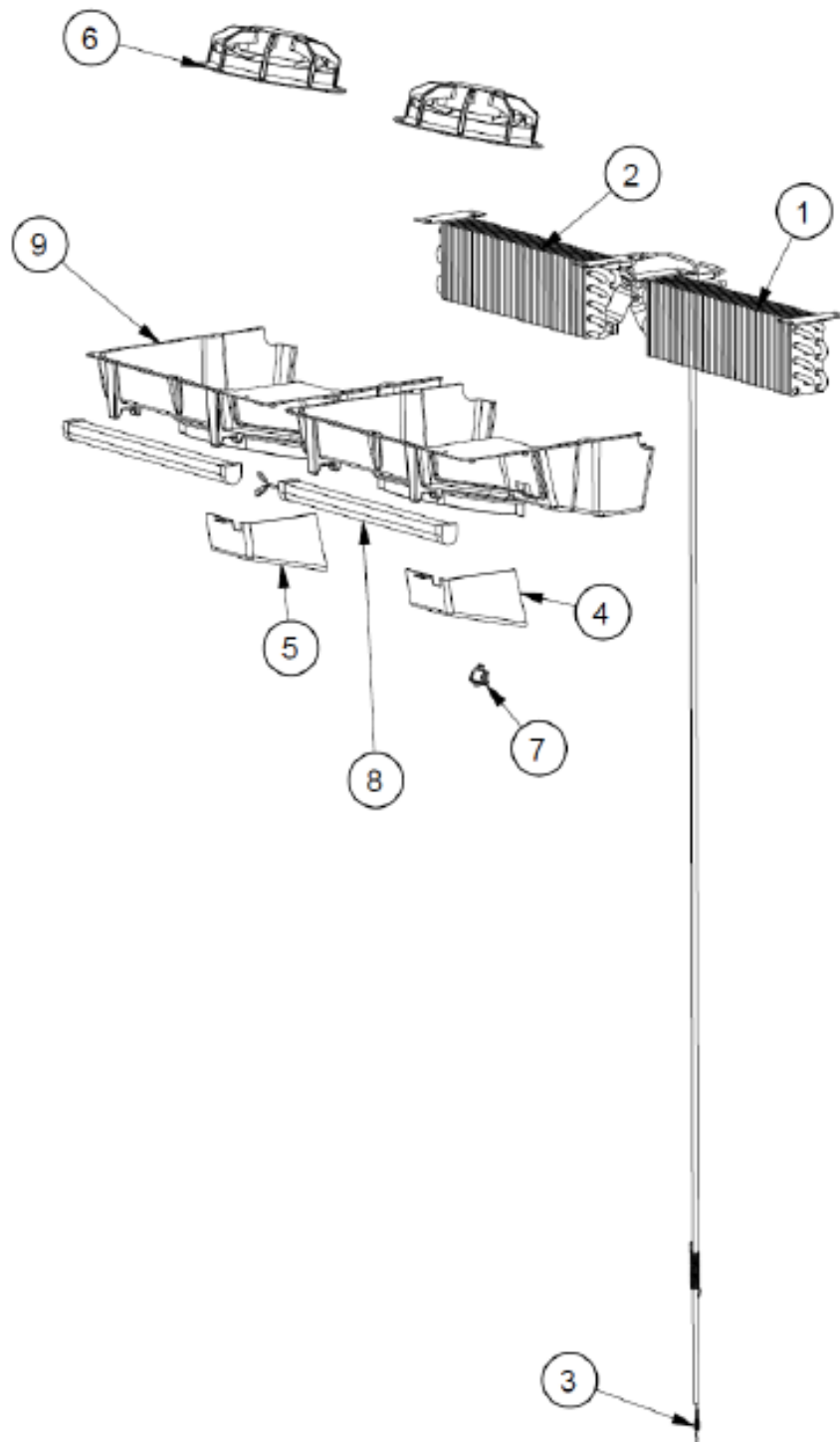
General Assembly



Parts Breakdown

Model VRD37 42862

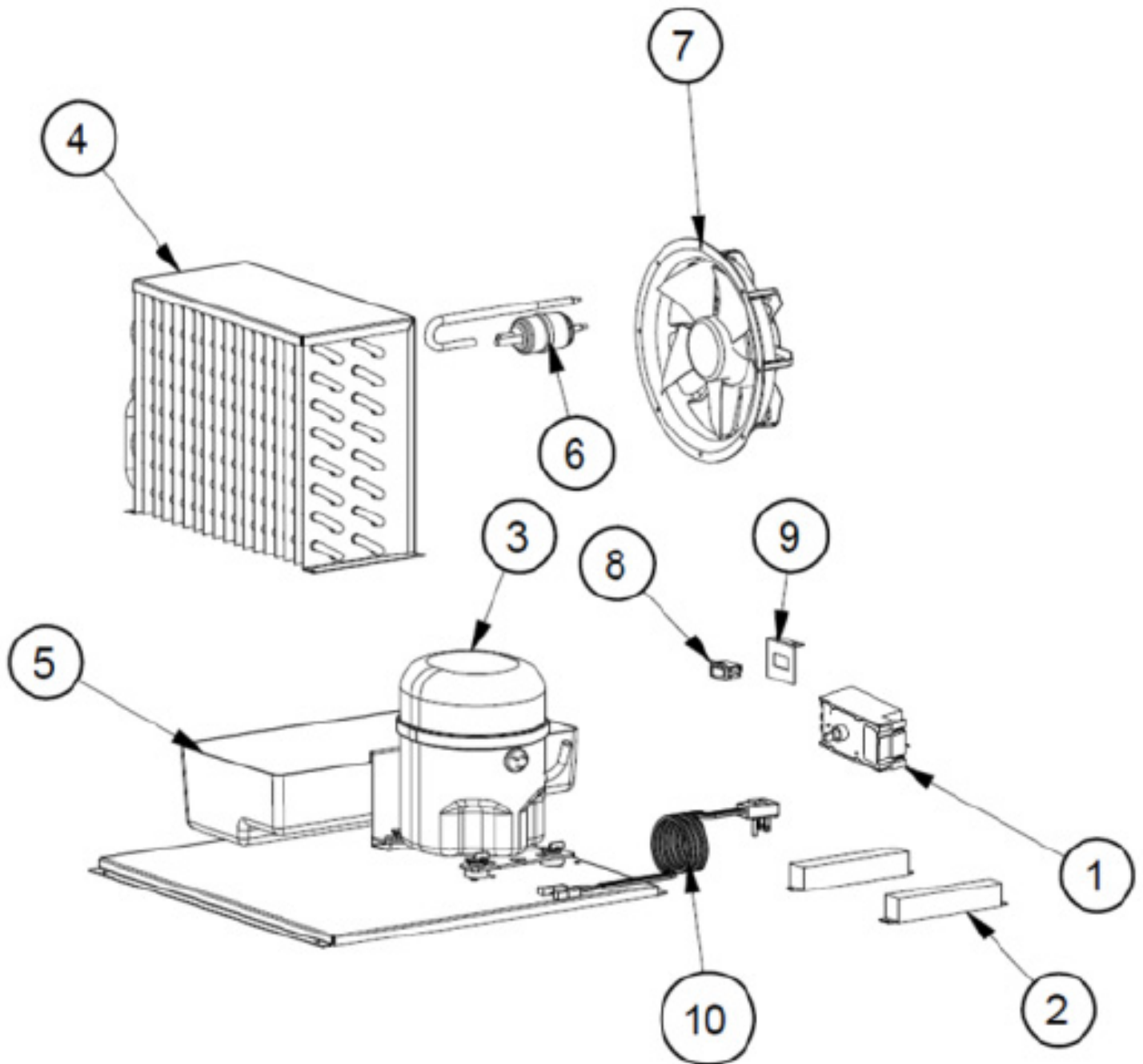
Evaporator Assembly



Parts Breakdown

Model VRD37 42862

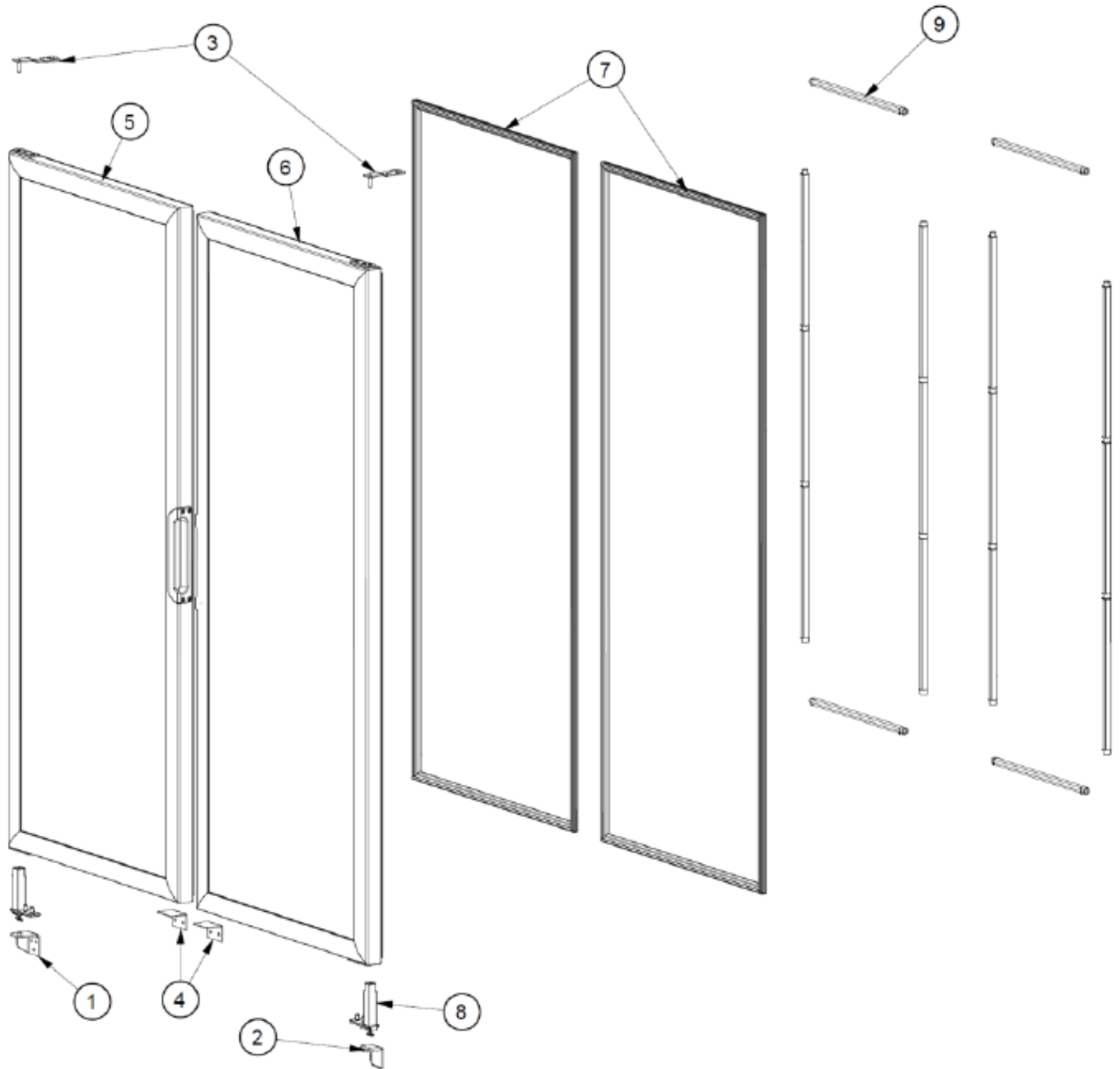
Condenser Assembly



Parts Breakdown

Model VRD37 42862

Door Assembly



Parts Breakdown

Model VRD37 42862

General Assembly

Item No.	Description	Position	Item No.	Description	Position	Item No.	Description	Position
66543	Back Grill for 42862	1	45470	Black Shelf for 42862	3	66545	Clip Pilaster Shelf for 42862	5
66443	Leveling Screw, 1/2"-13x1 1/2" for 42862	2	66544	Kit Visislide Low for 42862	4	45961	Louvered Front Grill for 42862	6

Evaporator Assembly

Item No.	Description	Position	Item No.	Description	Position	Item No.	Description	Position
66546	Right Evaporator Coil for 42862	1	66549	Evaporator Housing Cover W/Slot for 42862	4	66402	Rocker Switch, BK for 42862	7
66547	Left Evaporator Coil for 42862	2	66550	Evaporator Housing Cover W/O Slot for 42862	5	66552	Header Lamp VR43 for 42862	8
66548	Cap Tube VR43 for 42862	3	66551	Evaporator Condenser Fan Motor G319 V10 for 42862	6	66492	Evaporator Housing ABS for 42862	9

Condenser Assembly

Item No.	Description	Position	Item No.	Description	Position	Item No.	Description	Position
66530	Controller. ELE BEV 115V N/SEN for 42862	1	66554	Condensate Pan 6LT for 42862	5	66556	Switch Support for 42862	9
66449	LED Driver, VB-12030D018 30W 115V 50/60HZ for 42862	2	66555	Filter Drier VAL22TDV for 42862	6	66425	Power Cord 115V 15A 14AWG for 42862	10
66553	Compressor for 42862	3	66551	Evaporator Condenser Fan Motor G319 V10 for 42862	7			
64182	Condenser Coil for 42862	4	66402	Rocker Switch, BK for 42862	8			

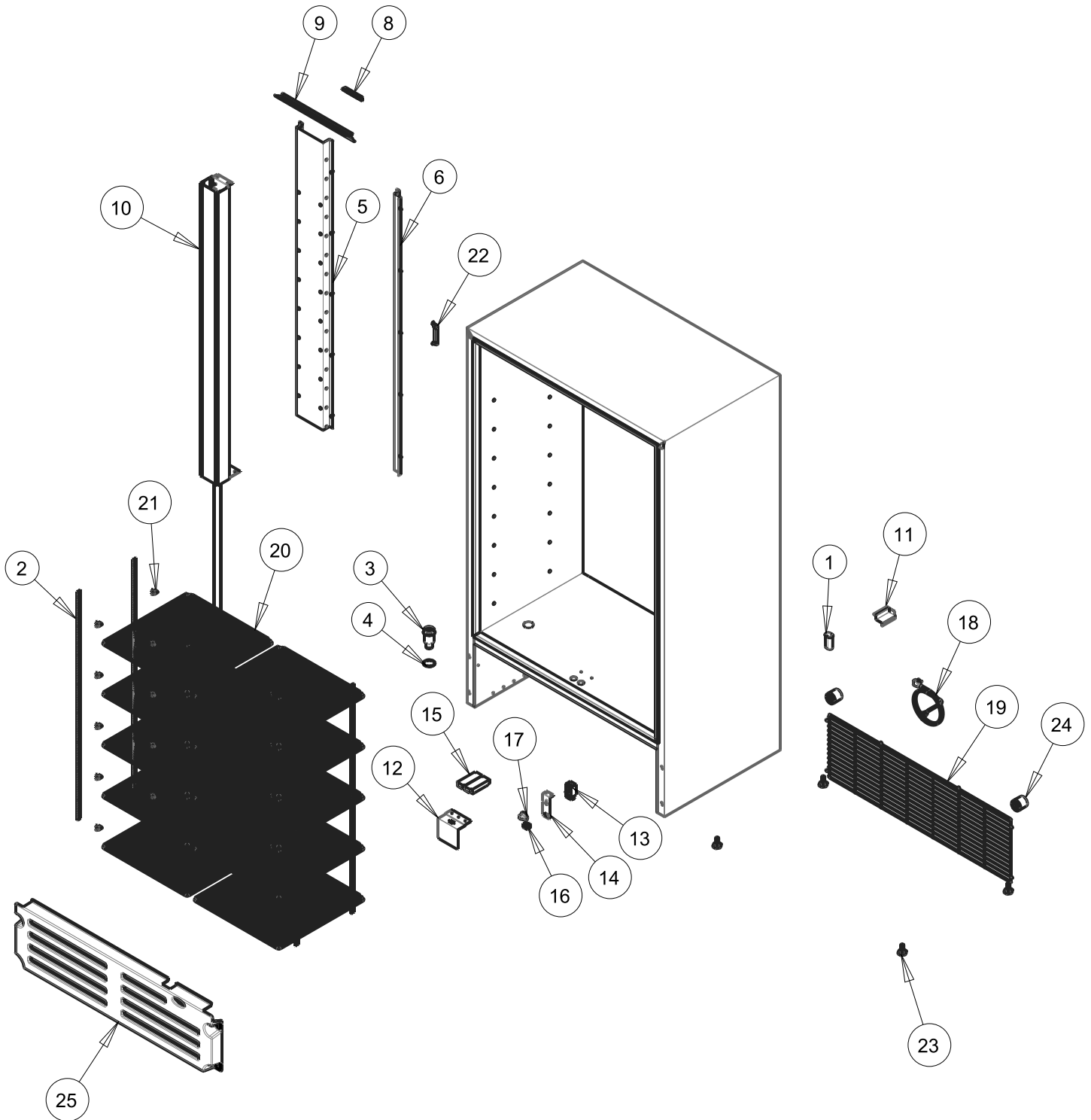
Door Assembly

Item No.	Description	Position	Item No.	Description	Position	Item No.	Description	Position
66482	Met Bottom Hinge LEF SCC TR34.5 for 42862	1	64180	Left Door Black for 42862	6	66562	Harness Door for 42862	11
66481	Met Bottom Hinge RIG SCC TR34.5 for 42862	2	66558	Door Gasket for 42862	7	66563	Harness Driver for 42862	12
66434	Met Top Hinge UNI Slope OPT for 42862	3	66559	Self Closing G319 UL V10 for 42862	8	66564	Front Display Coke for 42862	13
66557	Door Support for 42862	4	66560	LED Module for 42862	9			
64179	Right Door Black for 42862	5	66561	Harness H-M LED Modules for 42862	10			

Parts Breakdown

Model VRD37 HC BW 45249

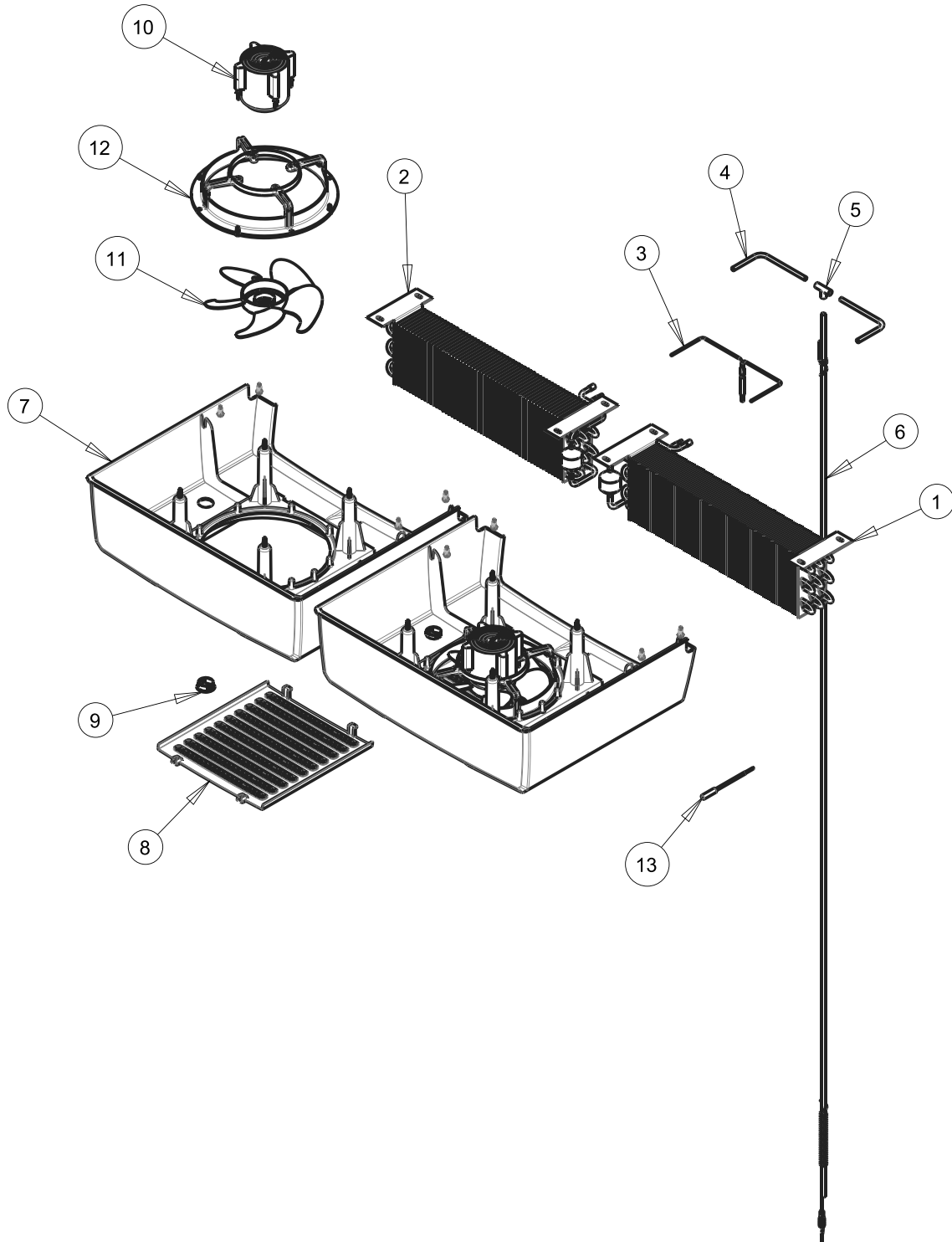
General Assembly



Parts Breakdown

Model VRD37 HC BW 45249

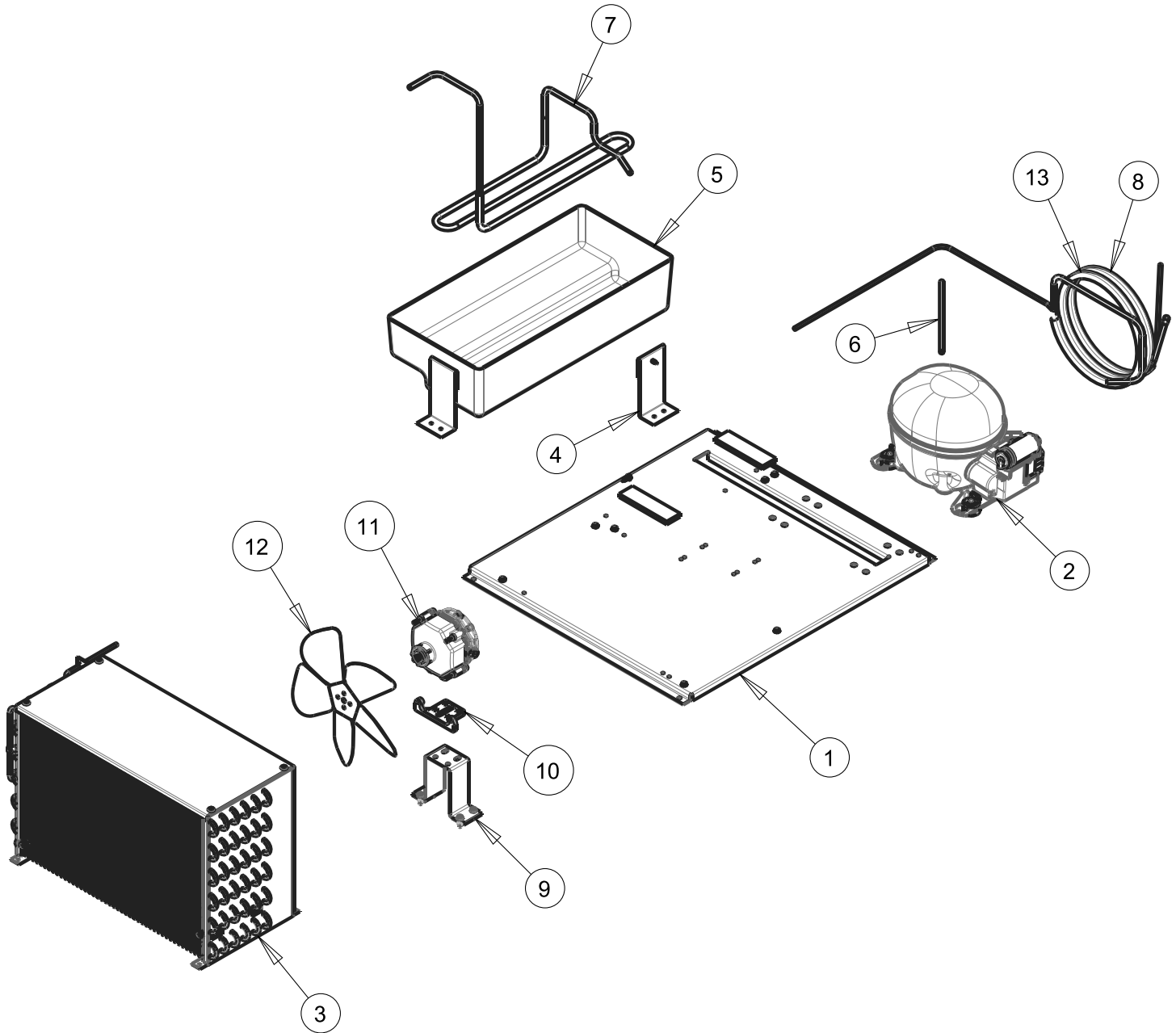
Evaporator Unit



Parts Breakdown

Model VRD37 HC BW 45249

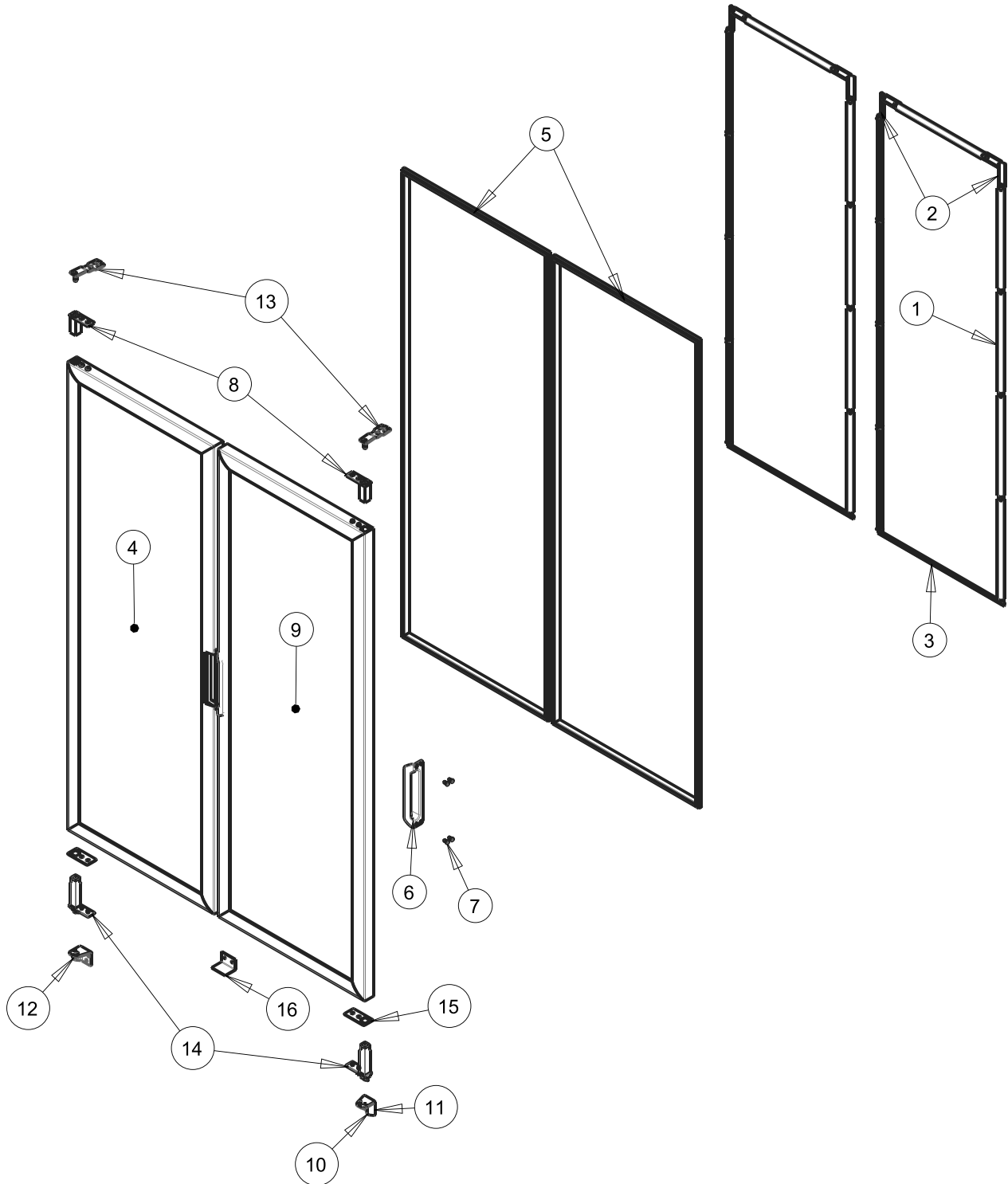
Condenser Unit



Parts Breakdown

Model VRD37 HC BW 45249

Door Assembly



Parts Breakdown

Model VRD37 HC BW 45249

General Assembly

Item No.	Description	Position	Item No.	Description	Position	Item No.	Description	Position
AI011	Grommet for 45249	1	AD567	Wire Cover for 45249	11	AI022	Clip F/Pilaster for 45249	21
AI012	Pilaster for 45249	2	AI020	Door Support for 45249	12	66400	Thermometer, Wall MTG for 45249	22
AI013	Anti-Vacuum Valve for 45249	3	AD569	Temperature Control for 45249	13	AD575	Leveling Leg for 45249	23
AI014	Gasket Anti-Vacuum Valve for 45249	4	AD570	Control Support for 45249	14	AD576	Wall Spacer for 45249	24
AI015	Tube Cover for 45249	5	AD571	Driver 24W for 45249	15	AI023	Front Grill for 45249	25
AI016	Tube Cover Molding for 45249	6	AI021	Switch for 45249	16	AI024	Main Harness for 45249	
AI017	Wire Cover for 45249	7	AD579	Control Knob for 45249	17	AI025	Compressor Harness for 45249	
AD565	Mold Deflector Support for 45249	8	AD572	Power Cord for 45249	18	AI026	LED Harness for 45249	
AI018	Deflector Molding for 45249	9	66543	Back Grill for 45249	19			
AI019	Frontal Pole for 45249	10	45470	Black Shelf for 45249	20			

Evaporator Unit

Item No.	Description	Position	Item No.	Description	Position	Item No.	Description	Position
AD589	Evaporator for 45249	1	AI031	Return Pipe for 45249	6	66477	Fan Blade Elc Pla 8" Diam. 28 Deg. for 45249	11
AI027	Evaporator Left for 45249	2	AD592	Evap Housing for 45249	7	66493	ABS O Motor Evaporator Support for 45249	12
AI028	"Y" Refrigerant Pipe for 45249	3	AD593	Evap Housing Grill for 45249	8	AD588	Temperature Sensor for 45249	13
AI029	Evap Outlet Pipe for 45249	4	AD585	Stopper for 45249	9			
AI030	Cooper Tee Fitting for 45249	5	AD586	Evap Fan Motor for 45249	10			

Condenser Unit

Item No.	Description	Position	Item No.	Description	Position	Item No.	Description	Position
AI032	Compressor Base for 45249	1	AI036	Discharge Pipe for 45249	7	AD607	Pipe Insulation for 45249	13
AI033	Compressor for 45249	2	AI037	Heat Exchanger for 45249	8	AD597	Filter Drier for 45249	14
AI034	Condenser for 45249	3	AI038	Motor Stand for 45249	9	AI040	Vacuum Pipe for 45249	15
AI035	Cond Pan Support for 45249	4	66476	Nylon T Motor Injected Support for 45249	10	AD599	Pipe Support for 45249	16
66554	Condensate Pan 6LT for 45249	5	AI039	Cond Fan Motor for 45249	11			
66419	Charge Pipe 1/4" 0.180M for 45249	6	66454	Fan Blade, Wel Pla 8 3/4 Diam. 25 Deg. for 45249	12			

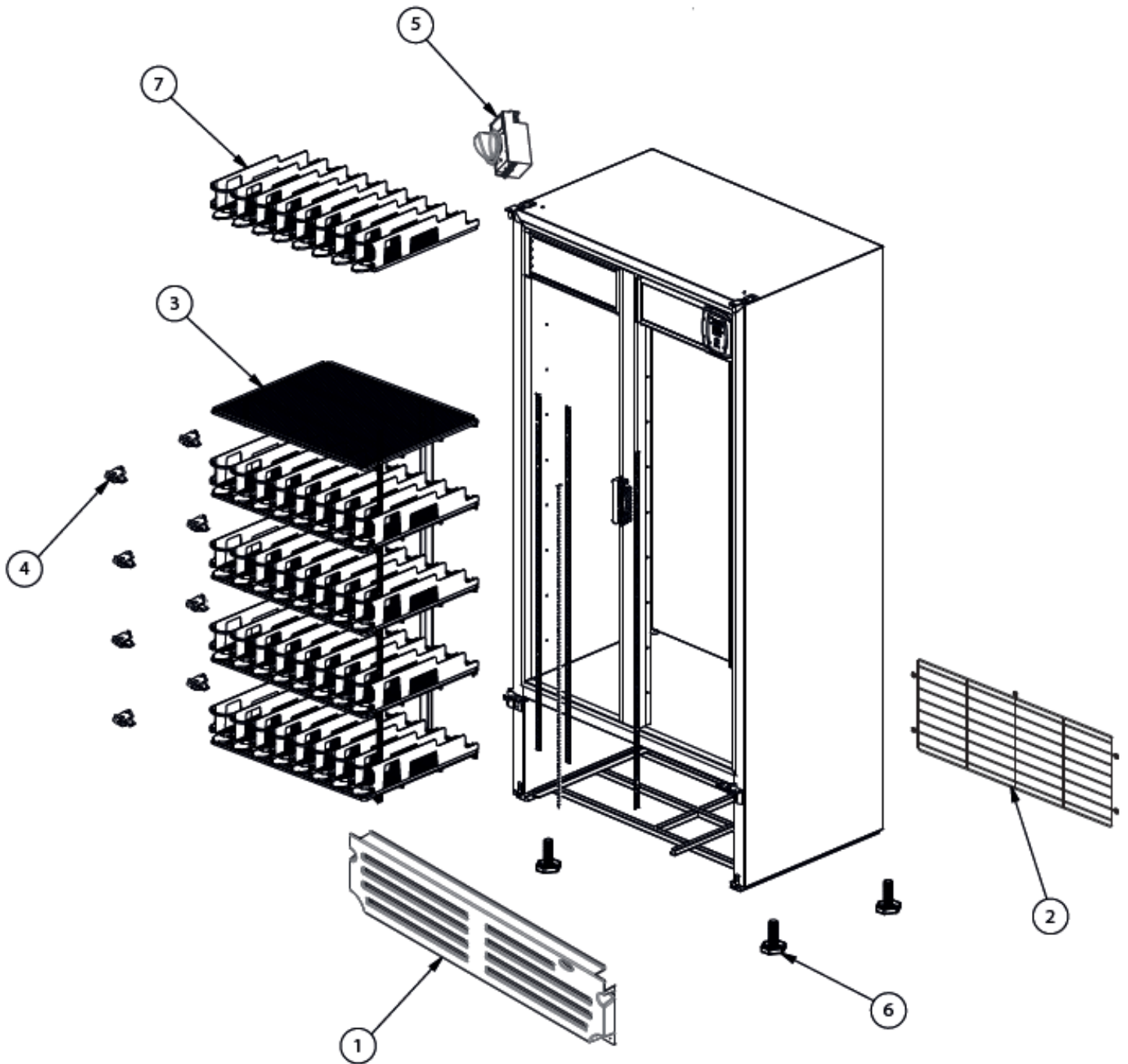
Door Assembly

Item No.	Description	Position	Item No.	Description	Position	Item No.	Description	Position
AI041	LED Module for 45249	1	AD617	Removable Rivet for 45249	7	AD621	Top Hinge for 45249	13
AI042	Moulding Glass Fixer Cover for 45249	2	AI045	Door Bushing for 45249	8	66526	Self Closing, Steel-TSL BK with Wire for 45249	14
AI043	Moulding Glass Fixer Cover for 45249	3	AI046	Glass Door Right for 45249	9	AI048	Reinforcement for 45249	15
AI044	Glass Door Left for 45249	4	AD618	Bottom Hinge for 45249	10	66557	Door Support for 45249	16
66558	Door Gasket for 45249	5	AI047	Reinforcement for 45249	11	AI049	F-M Module Harness for 45249	
AD616	Plastic Door Handle for 45249	6	AD619	Bottom Hinge for 45249	12	AD659	F-Driver Module Harness for 45249	

Parts Breakdown

Model VRD43 41218

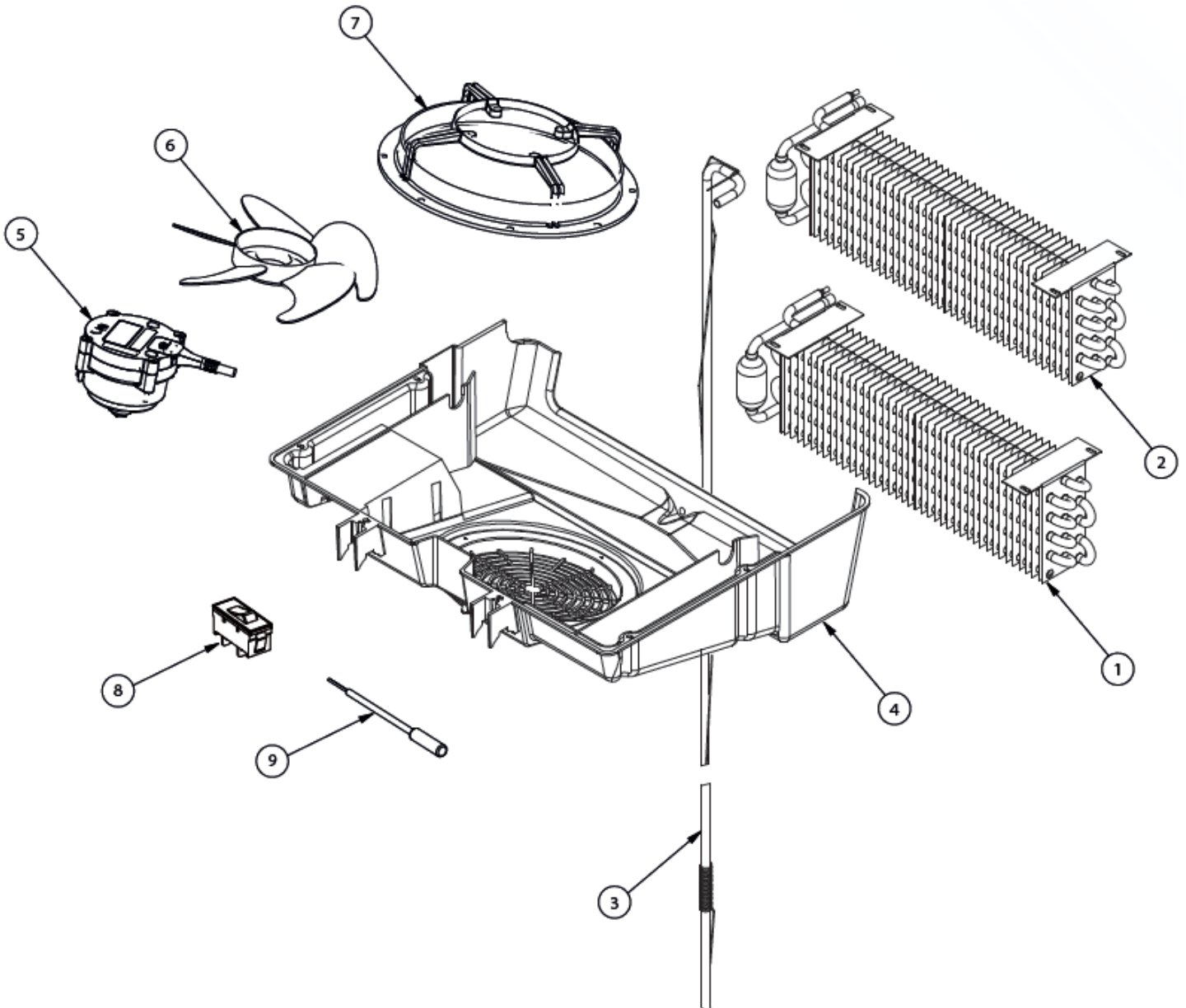
General Assembly



Parts Breakdown

Model VRD43 41218

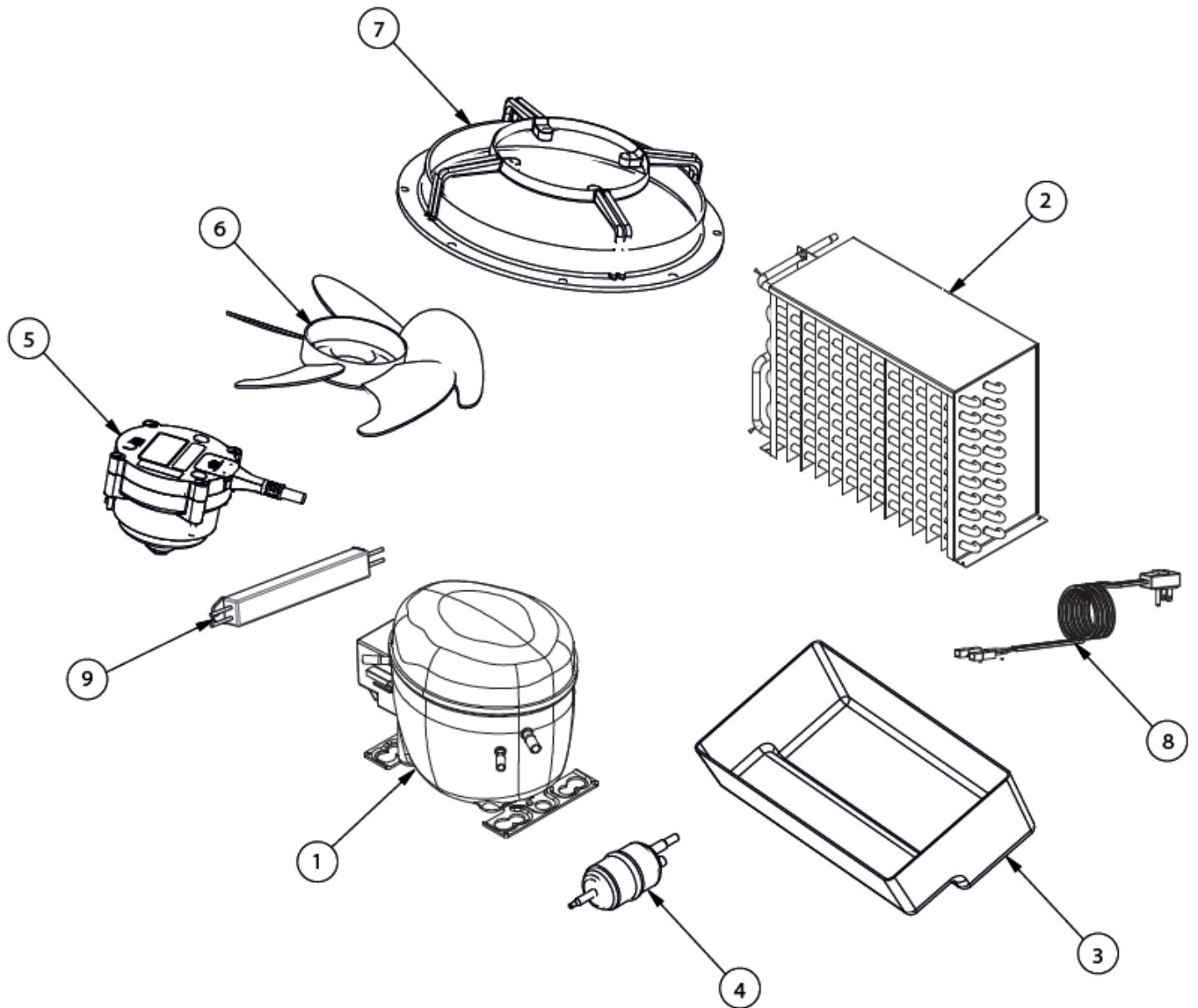
Evaporator Assembly



Parts Breakdown

Model VRD43 41218

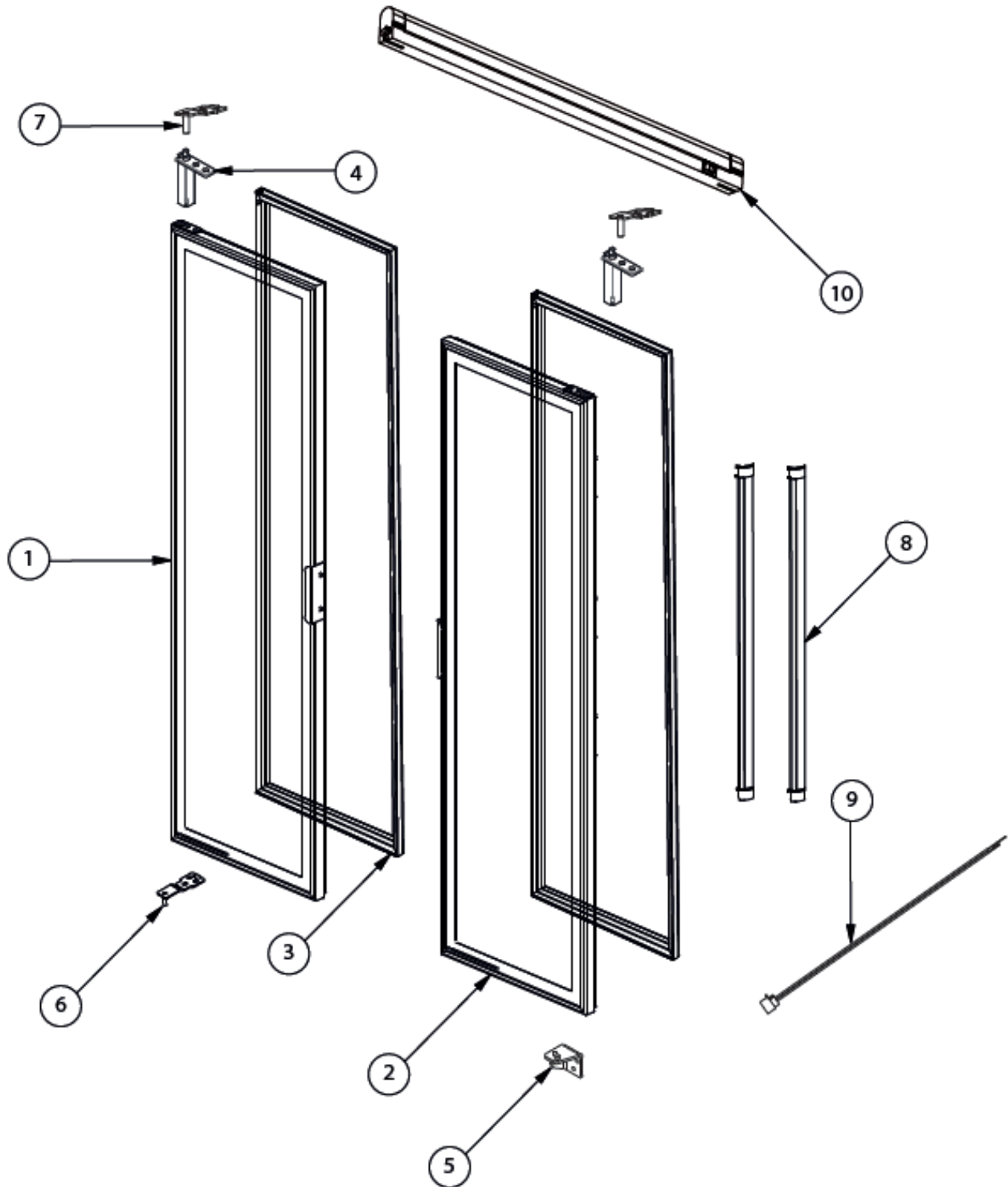
Condenser Assembly



Parts Breakdown

Model VRD43 41218

Door Assembly



Parts Breakdown

Model VRD43 41218

General Assembly

Item No.	Description	Position	Item No.	Description	Position	Item No.	Description	Position
66565	Front Grill, Ther BK for 41218	1	66399	Clip, F/Pilaster 16G Polished for 41218	4	66568	Kit Visislide Low 7 FTES 2TPUL V12 for 41218	7
66566	Grill, Wire Rear for 41218	2	66530	Controller. ELE BEV 115V N/SEN for 41218	5			
66567	Shelf S/R for 41218	3	66443	Leveling Screw, 1/2"-13x1 1/2" for 41218	6			

Evaporator Assembly

Item No.	Description	Position	Item No.	Description	Position	Item No.	Description	Position
66569	Evaporator 14T 3/8 CU 6FPI FIL491 RED0.197" for 41218	1	66510	Evaporator Housing ABS for 41218	4	66409	Nylon Motor Ring for 41218	7
66570	Evaporator 14T 3/8 CU 6FPI LEF RED0.220" for 41218	2	66475	Motor, E ELC 16W 115V 50/60HZ 1850RPM for 41218	5	66402	Rocker Switch, BK for 41218	8
66571	Cap Pipe, 0.062x160" N/S N/OM for 41218	3	66477	Fan Blade ELC PLA 8" Diam. 28 Deg. for 41218	6	66469	Temp Sensor, ETC1H 1.0M for 41218	9

Condenser Assembly

Item No.	Description	Position	Item No.	Description	Position	Item No.	Description	Position
66553	Compressor for 41218	1	66417	Filter Dryer 0.9 HP DCL for 41218	4	66493	ABS O Motor Evaporator Support for 41218	7
64182	Condenser Coil Elite for 41218	2	66475	Motor, E ELC 16W 115V 50/60HZ 1850RPM for 41218	5	66425	Power Cord 115V 15A 14AWG for 41218	8
66554	Condensate Pan 6LT for 41218	3	66477	Fan Blade ELC PLA 8" Diam. 28 Deg. for 41218	6	66573	LED Driver, VB-12030D018 30W 115V 50/60HZ for 41218	9

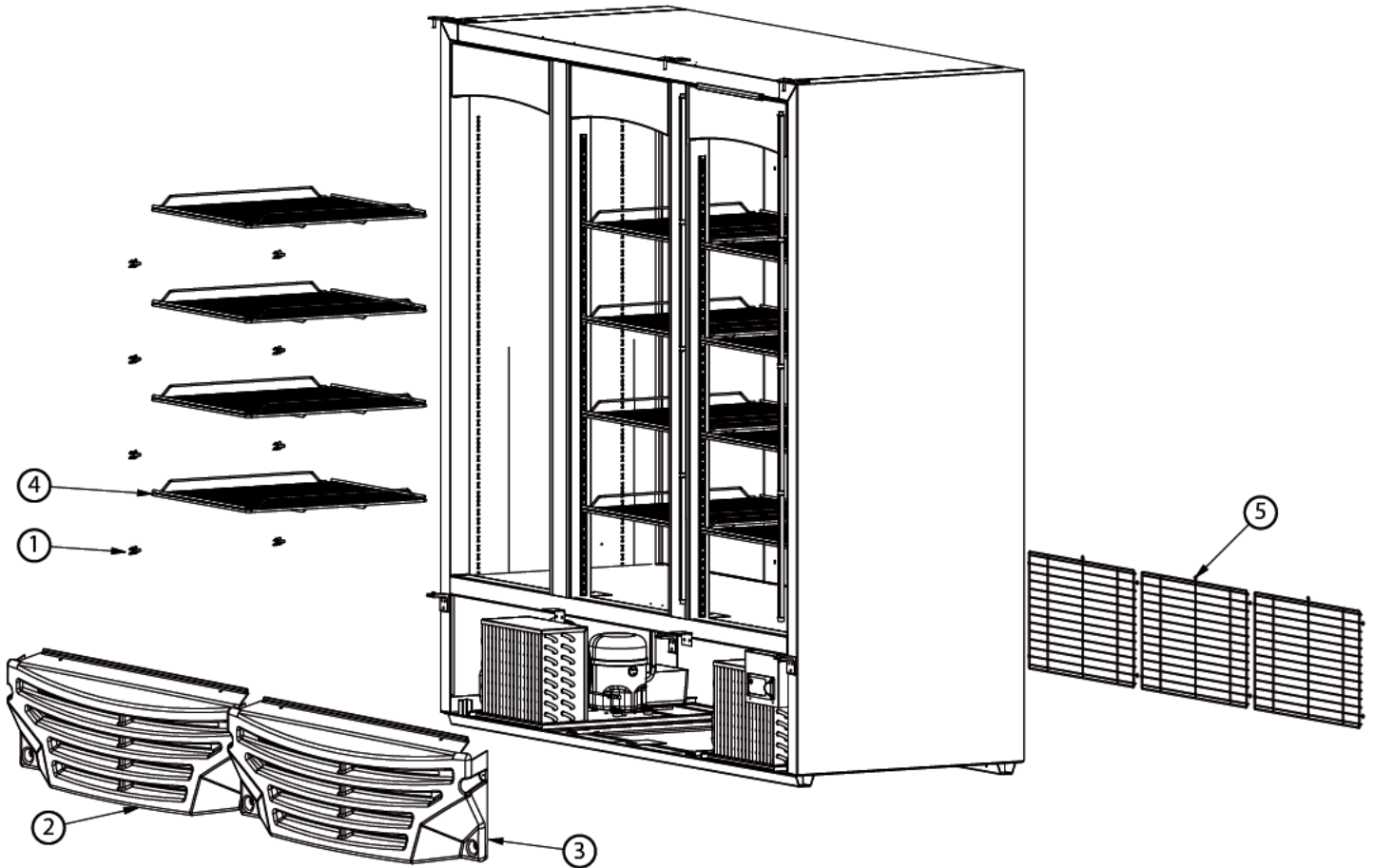
Door Assembly

Item No.	Description	Position	Item No.	Description	Position	Item No.	Description	Position
66574	Door G J RIG LED SCC BDH for 41218	1	66500	Self Closing, Steel-TSL BK for 41218	4	66577	Module, 6 LEDS 1.2W 12V for 41218	8
66575	Door G J LEF LED SCC BDH for 41218	2	69050	Hinge - Met Bot LEF SCC G00 for 41218	5, 6	66484	F-Driver Moduled Harness for 41218	9
66576	Door Gasket, 640x1567mm for 41218	3	66434	Met Top Hinge UNI Slope OPT for 41218	7	66578	Lamp, 15 LEDS 3W 12V 455mm UL for 41218	10

Parts Breakdown

Model G372 41220
Model G372 BLACK 45250

General Assembly

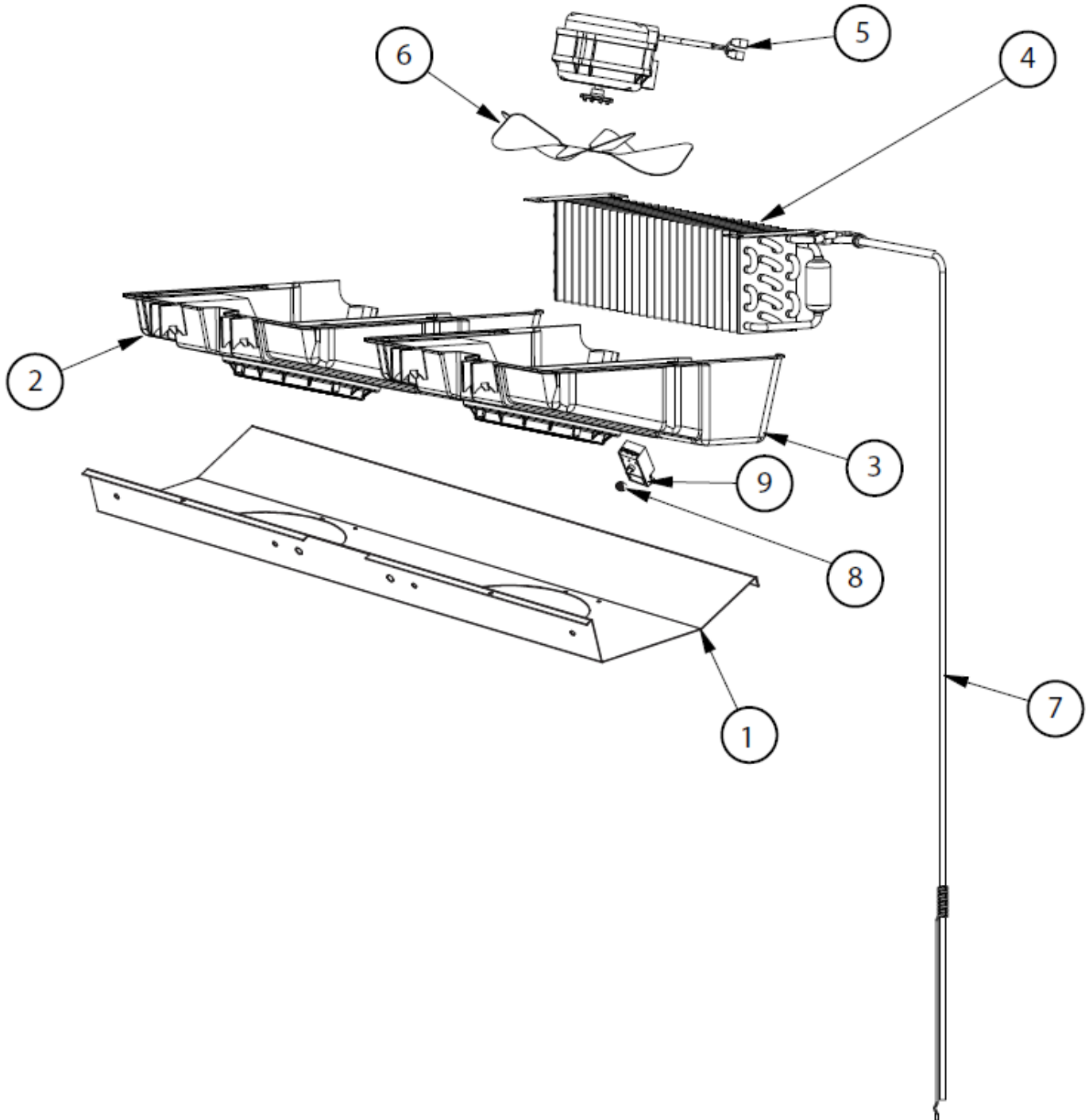


Parts Breakdown

Model G372 41220

Model G372 BLACK 45250

Evaporator Assembly

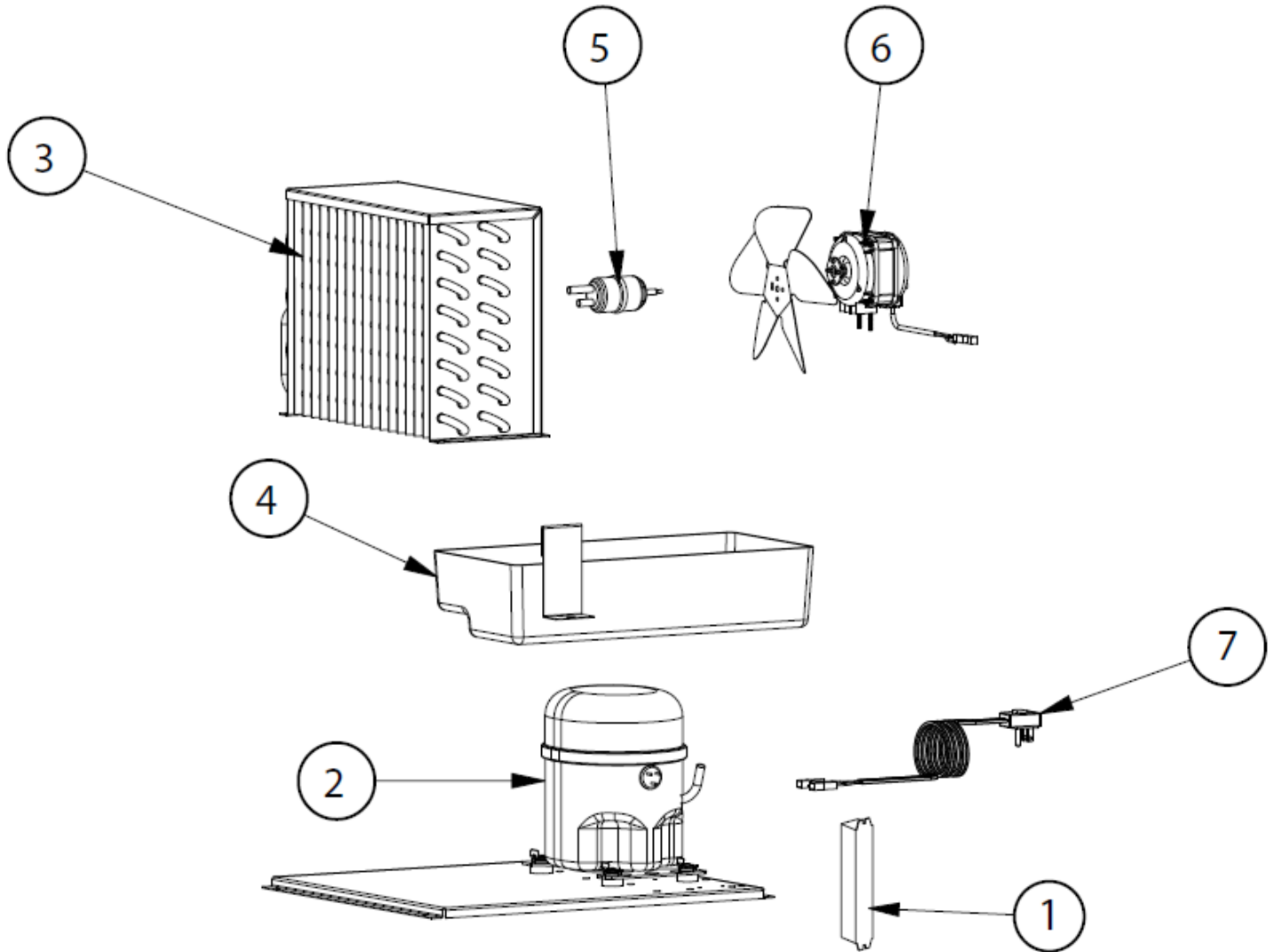


Parts Breakdown

Model G372 41220

Model G372 BLACK 45250

Condenser Assembly

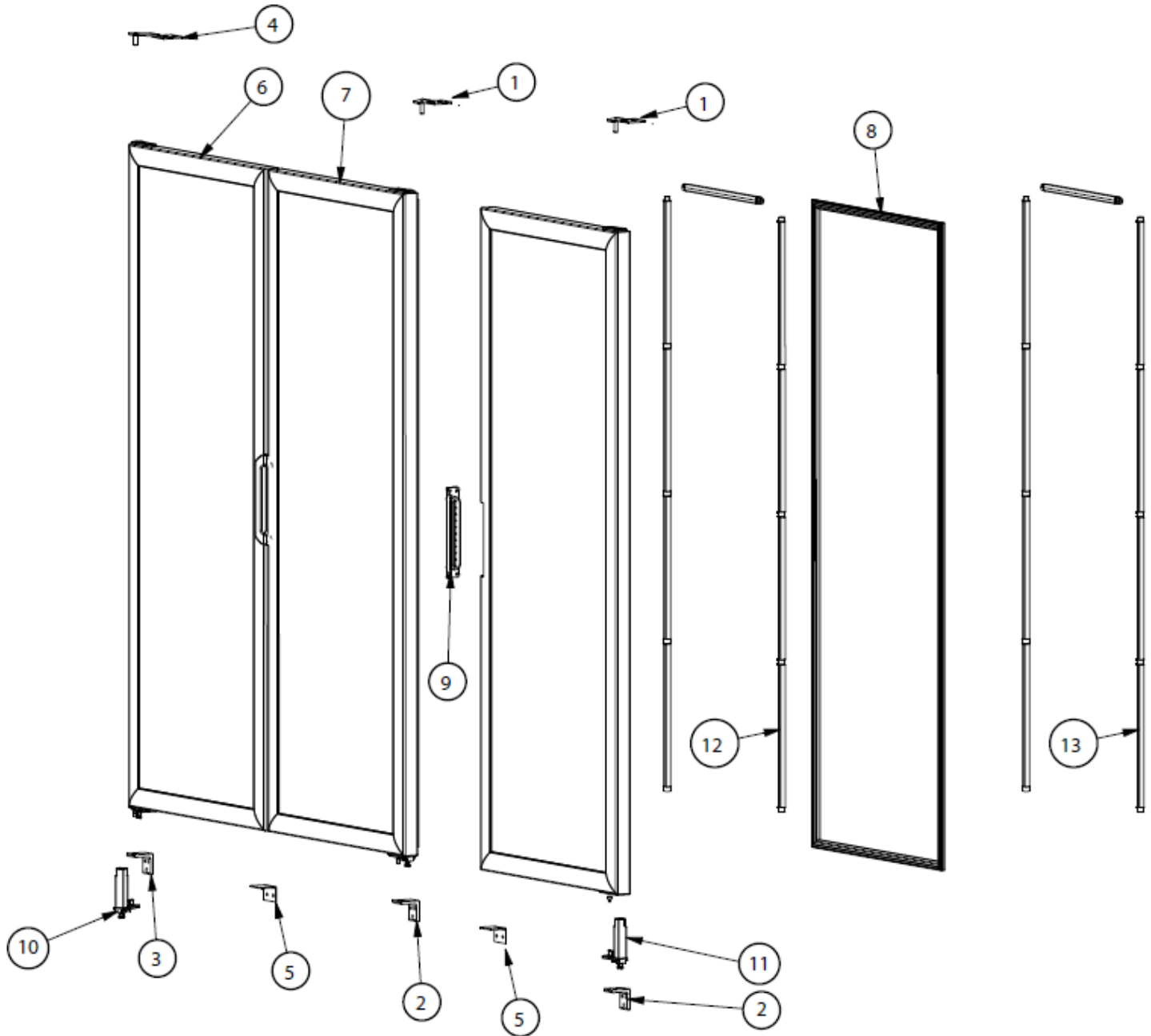


Parts Breakdown

Model G372 41220

Model G372 BLACK 45250

Door Assembly





Parts Breakdown

Model G372 41220

Model G372 BLACK 45250

General Assembly

Item No.	Description	Position	Item No.	Description	Position	Item No.	Description	Position
66545	Clip Pilaster Shelf for 41220 & 45250	1	66580	Louvered for 41220 & 45250	3	66581	Back Grill G3T72 for 41220 & 45250	5
66579	Louvered Left Cut for 41220 & 45250	2	45247	Black Shelf for 41220 & 45250	4			

Evaporator Assembly

Item No.	Description	Position	Item No.	Description	Position	Item No.	Description	Position
66582	Evaporator Housing for 41220 & 45250	1	66585	Evaporator Coil for 41220 & 45250	4	66588	Cap Tube for 41220 & 45250	7
66583	Evaporator Housing Left for 41220 & 45250	2	66586	ELCO Evaporator Motor Without Blade for 41220 & 45250	5	66396	Knob, ABS Control for 41220 & 45250	8
66584	Evaporator Housing Right for 41220 & 45250	3	66587	Evaporator Motor Blade for 41220 & 45250	6	66530	Controller ELE BEV 115V N/SEN for 41220 & 45250	9

Condenser Assembly

Item No.	Description	Position	Item No.	Description	Position	Item No.	Description	Position
66536	LED Driver, VDM#3017356 for 41220 & 45250	1	66554	Condensate Pan 6LT for 41220 & 45250	4	66589	Power Cord 20 AMP 10 FT for 41220 & 45250	7
66538	Compressor SEC NF 11FX 115V 60HZ for 41220 & 45250	2	66555	Filter Drier VAL22TDV for 41220 & 45250	5			
64182	Condenser Coil Elite for 41220 & 45250	3	66551	Evaporator Condenser Fan Motor G319 V10 for 41220 & 45250	6			

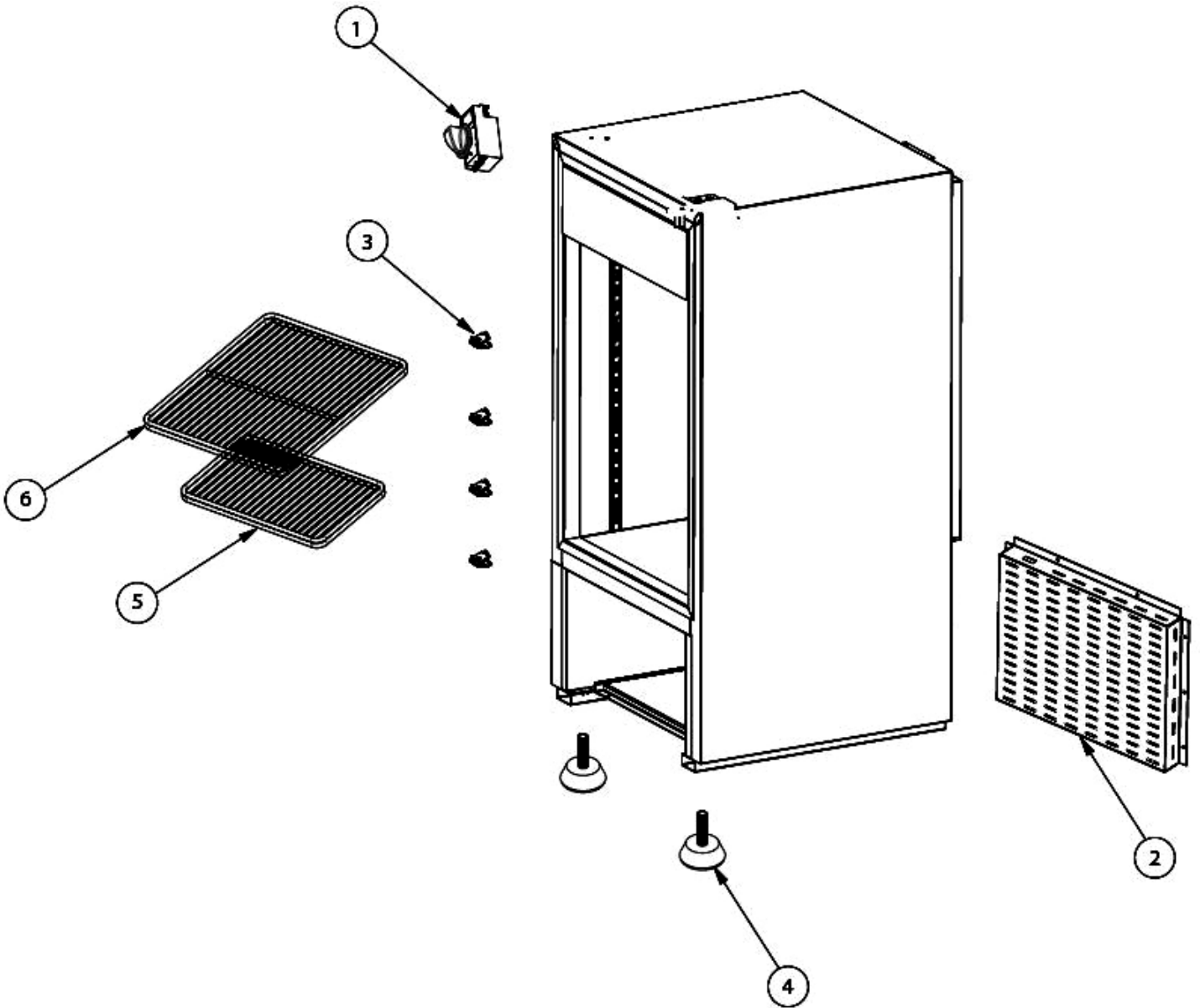
Door Assembly

Item No.	Description	Position	Item No.	Description	Position	Item No.	Description	Position
66597	Top Right Hinge Bracket G342 for 41220 & 45250	1	66590	Left Door without LED for 41220 & 45250	6	66594	Self Closing Right for 41220 & 45250	11
66598	Bottom Right Hinge Bracket G342 for 41220 & 45250	2	66591	Right Door without LED for 41220 & 45250	7	66595	LED Series G326 Left Door for 41220 & 45250	12
66599	Bottom Left Hinge Bracket G342 for 41220 & 45250	3	66592	Door Gasket for 41220 & 45250	8	66596	LED Series G319x42 Right Door for 41220 & 45250	13
66600	Top Left Hinge Bracket G342 for 41220 & 45250	4	66459	Door Handle, PLA Standard V7.2 for 41220 & 45250	9			
66557	Door Support for 41220 & 45250	5	66593	Self Closing Left for 41220 & 45250	10			

Parts Breakdown

Model VR1.5 45800

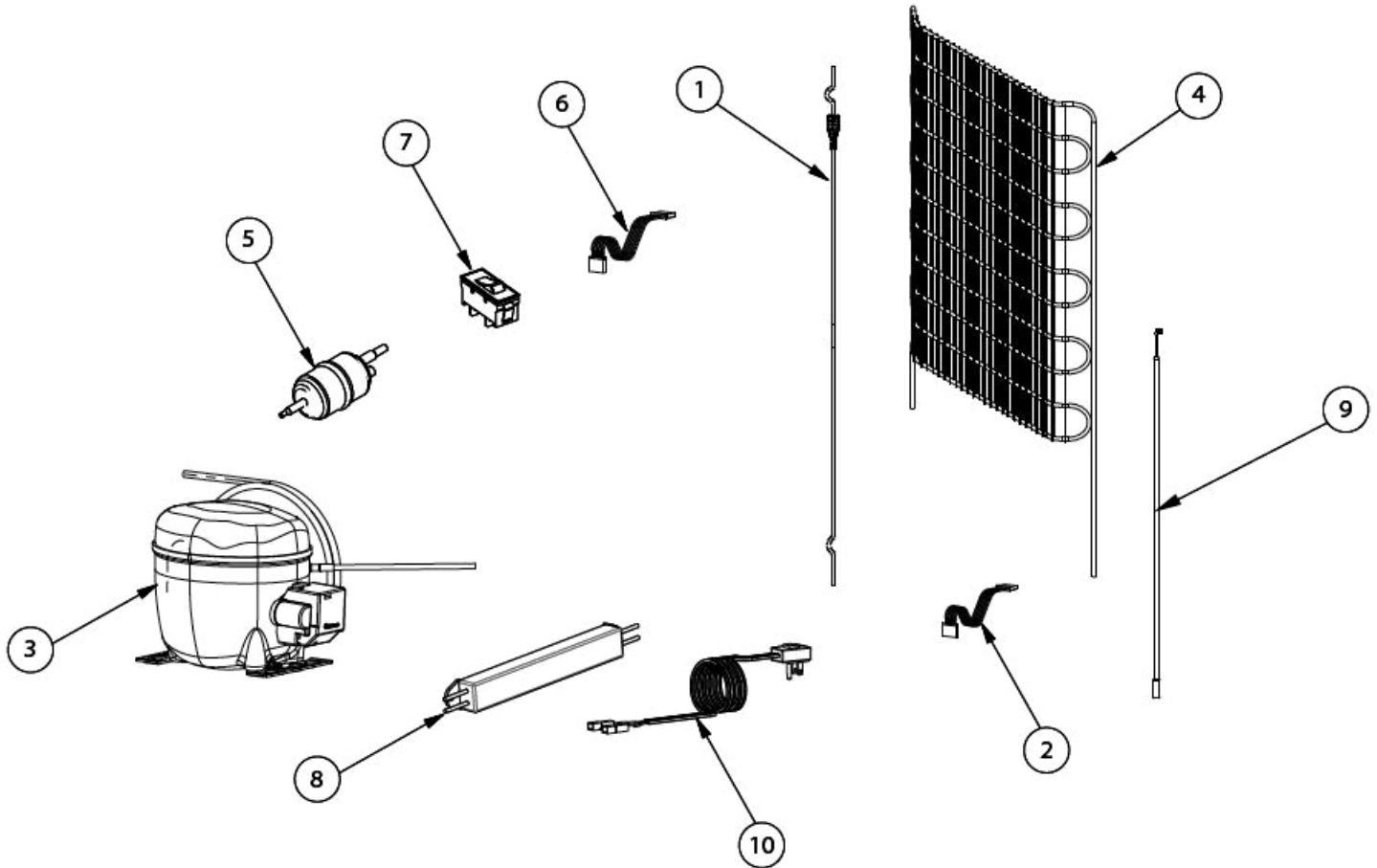
General Assembly



Parts Breakdown

Model VR1.5 45800

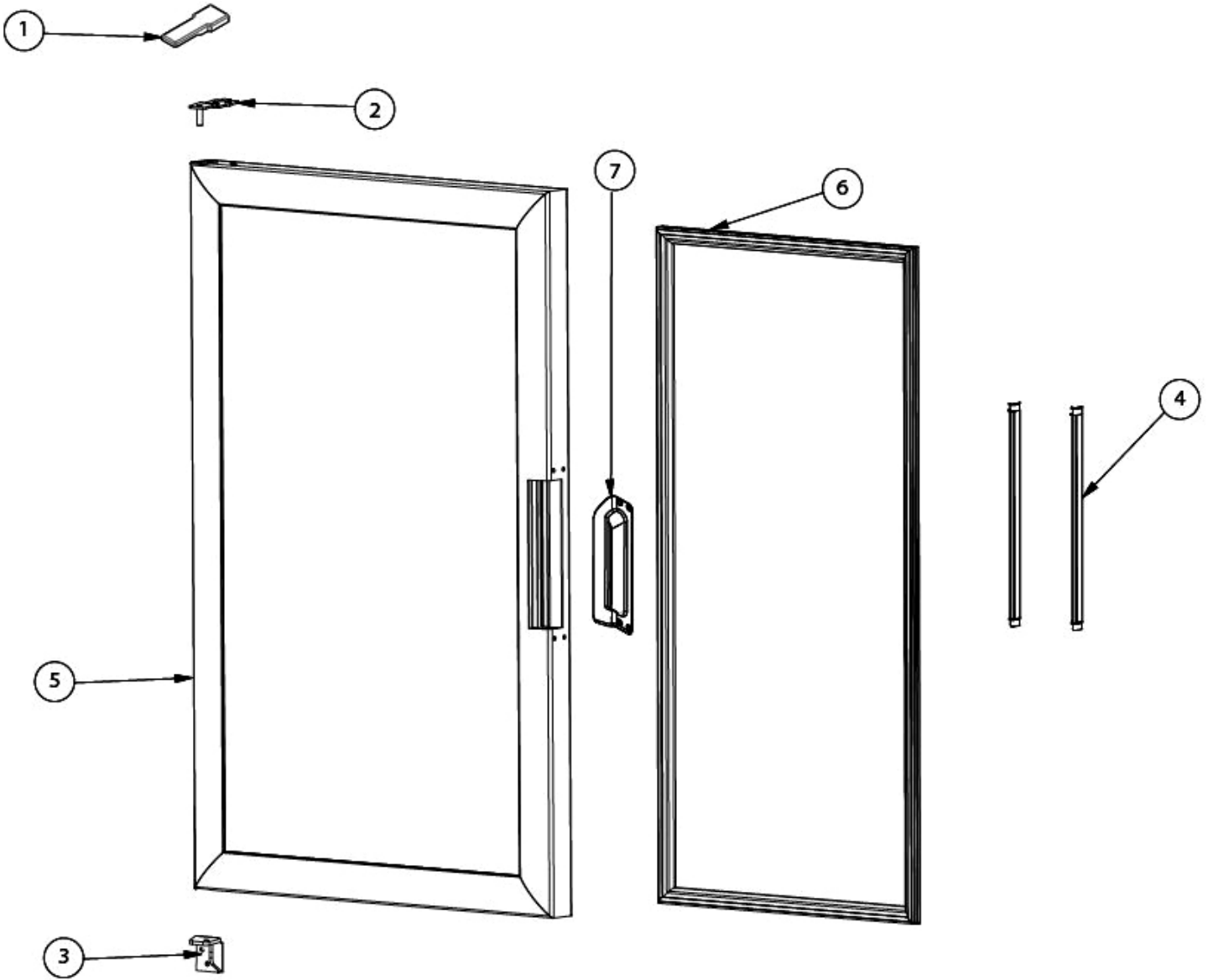
Condenser Assembly



Parts Breakdown

Model VR1.5 45800

Door Assembly



Parts Breakdown

Model VR1.5 45800

General Assembly

Item No.	Description	Position	Item No.	Description	Position	Item No.	Description	Position
66530	Controller, ELE BEV 115V N/SEN for 45800	1	66393	Leveling Screw, 1/2"-13x2" W/PLA UL for 45800	4	66400	Thermometer, Wall MTG, 3017492 for 45800	7
AD623	Grill, Met Unit UL BR for 45800	2	AD624	Shelf, LAR for 45800	5			
66399	Clip, F/Pilaster 16G Polished for 45800	3	AD625	Shelf, SMA for 45800	6			

Condenser Assembly

Item No.	Description	Position	Item No.	Description	Position	Item No.	Description	Position
AD626	Cap Tube, 0.024"x150" N/S for 45800	1	66417	Filter, Drier 0.9 HP DCL for 45800	5	66469	Temp Sensor, ETC1H 1.0M for 45800	9
AD627	Harness, Main UL LED for 45800	2	AD630	Harness, Compressor UL LED for 45800	6	66425	Power Cord, 115V 15A 14AWG for 45800	10
AD628	Compressor SEC TF3.5F 115V 60Hz for 45800	3	66402	Rocker Switch, BK for 45800	7			
AD629	Condenser, STA 11T 3/16 FE for 45800	4	66449	LED Driver, VB-12030D018 30W 115V50/60Hz for 45800	8			

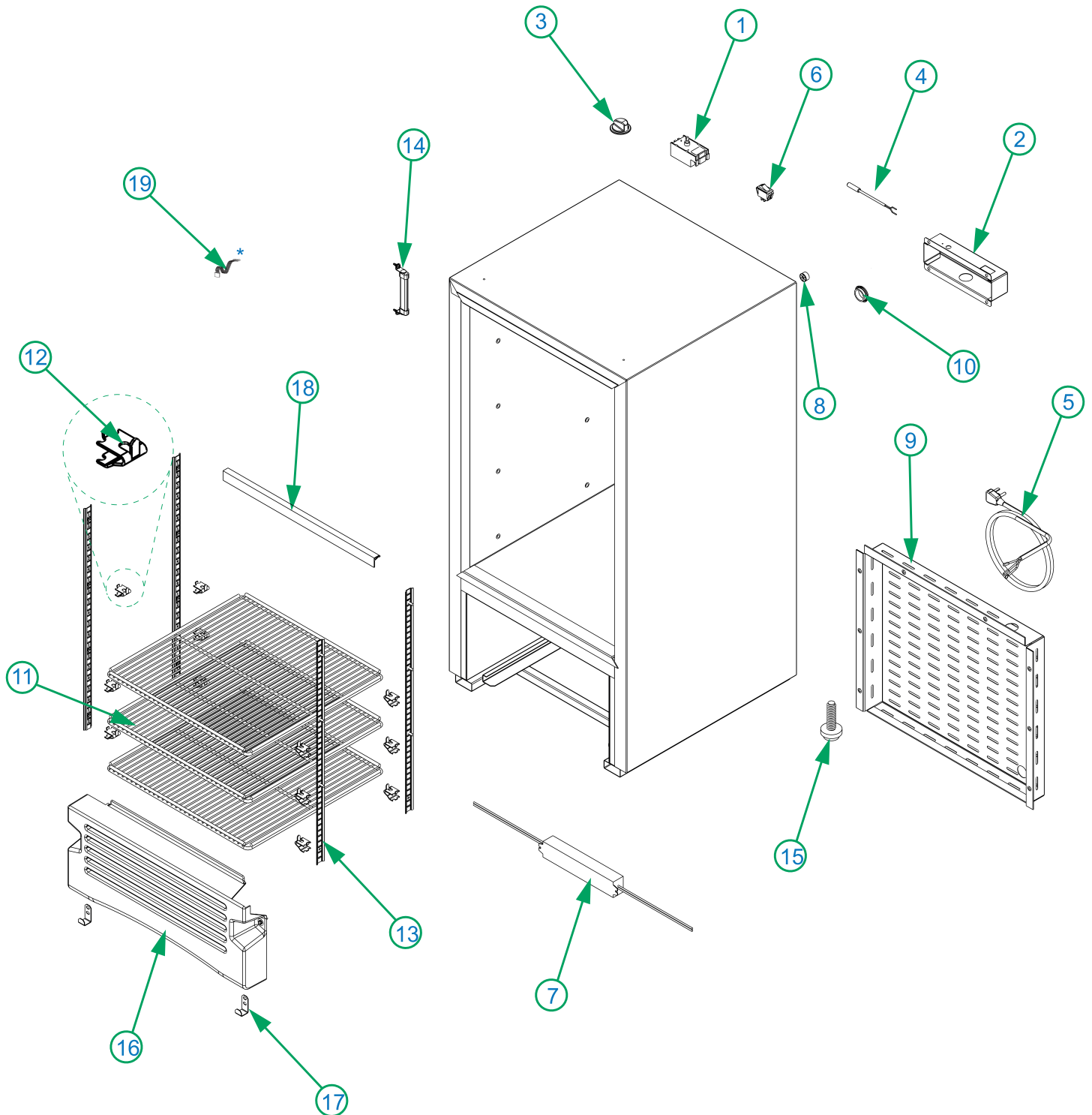
Door Assembly

Item No.	Description	Position	Item No.	Description	Position	Item No.	Description	Position
66480	Hinge Top OPT BL Cover for 45800	1	66455	Module, 6 LEDS 1.2W 12V for 45800	4	66459	Door Handle, PLA STD V7.2 for 45800	7
66434	MET Top Hinge UNI Slope OPT for 45800	2	AD632	Door G J RIG LED SCC BDH for 45800	5			
AD631	Hinge, MET Top RIG SCC for 45800	3	AD633	Door Gasket, Universal 354x675mm for 45800	6			

Parts Breakdown

Model VR04 45801

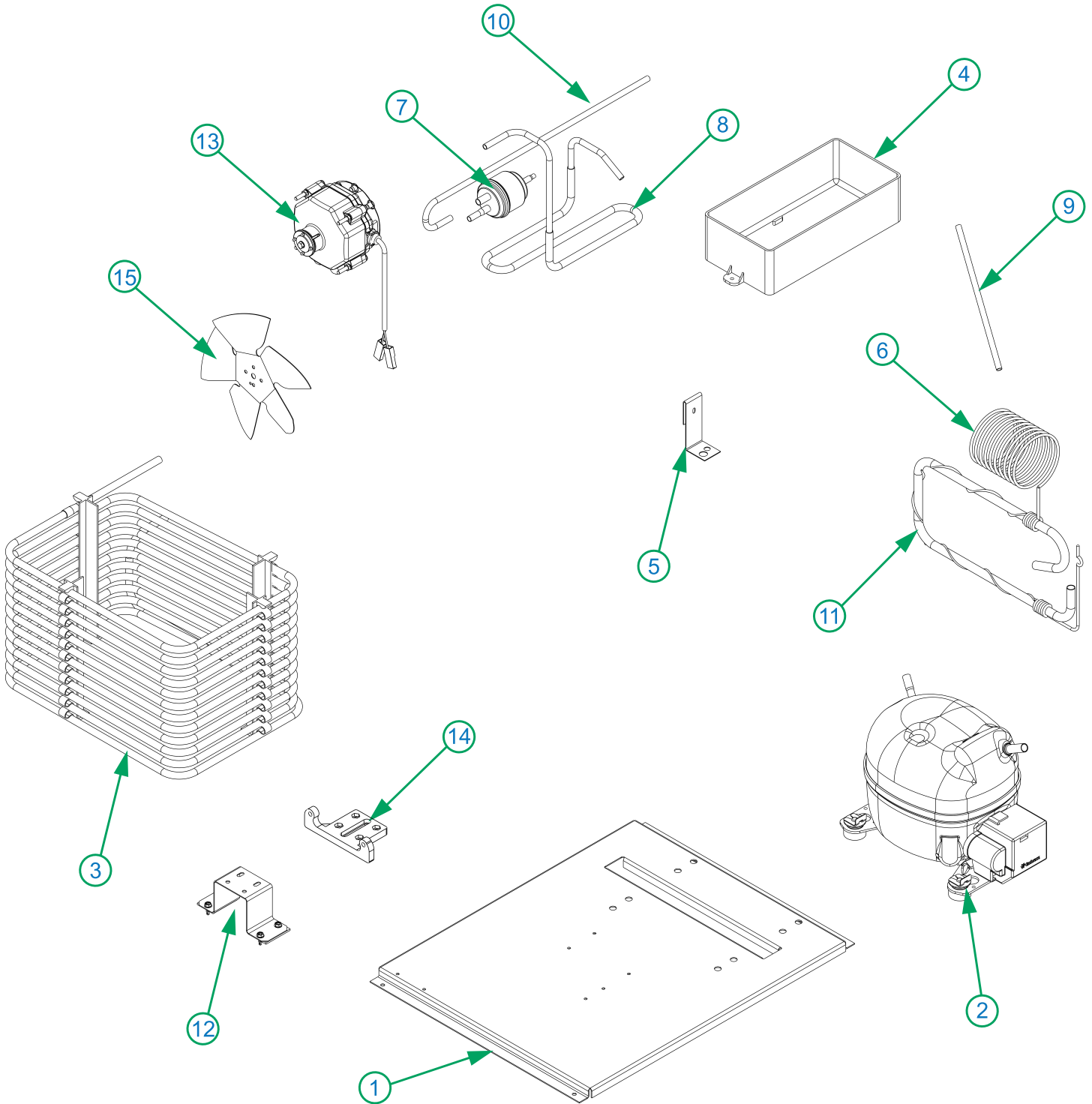
General Assembly



Parts Breakdown

Model VR04 45801

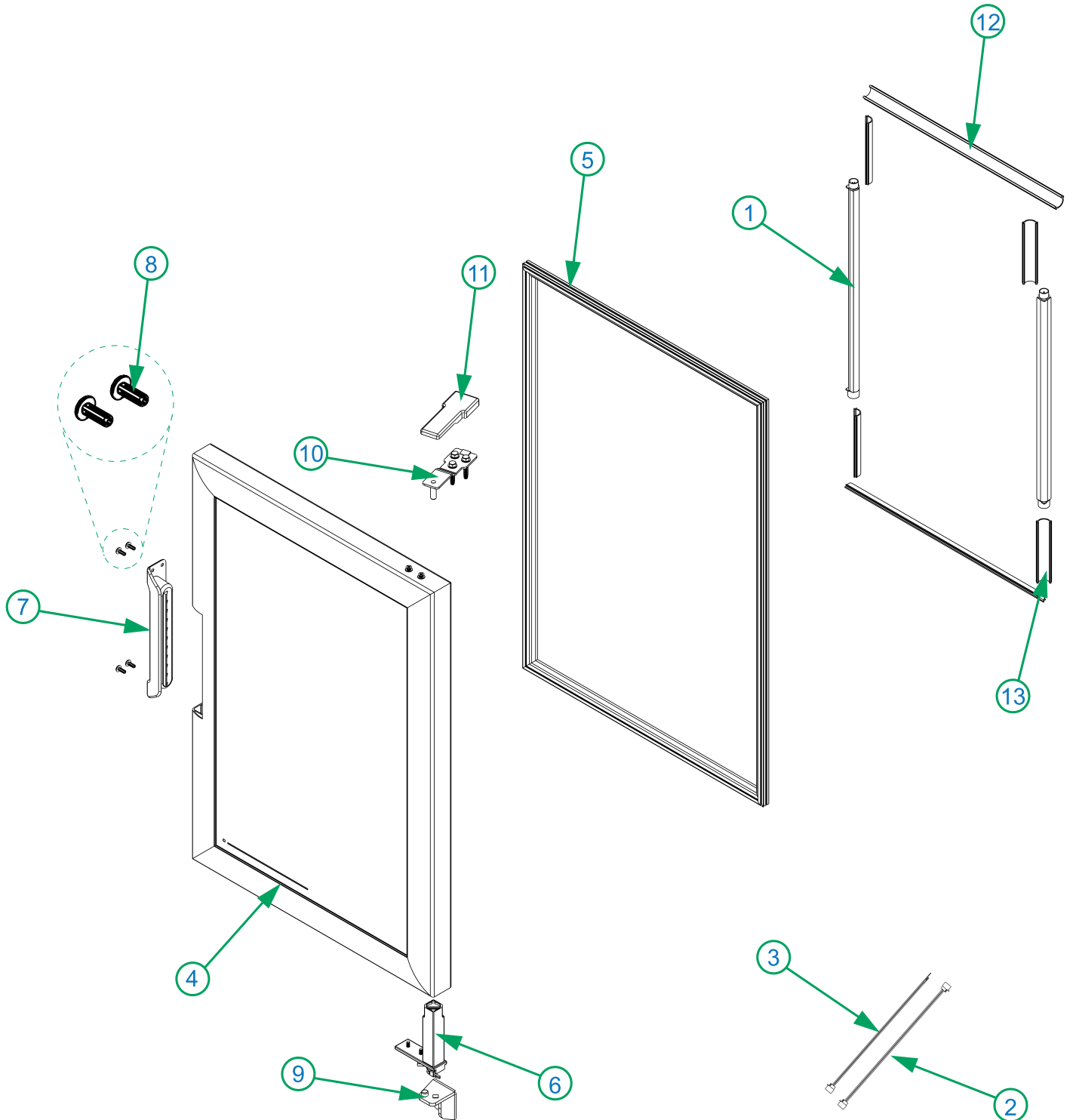
Condenser Assembly



Parts Breakdown

Model VR04 45801

Door Assembly



Parts Breakdown

Model VR04 45801

General Assembly

Item No.	Description	Position	Item No.	Description	Position	Item No.	Description	Position
AD634	Temperature Control for 45801	1	AD636	Grommet for 45801	8	AD641	Leveling Leg for 45801	15
AD635	Control Box for 45801	2	AD637	Back Grill for 45801	9	AD642	Front Grill for 45801	16
AD579	Control Knob for 45801	3	AD638	Grommet for 45801	10	AD643	Front Grill Support for 45801	17
66469	Temp Sensor, ETC1H 1.0M for 45801	4	AD639	Shelf for 45801	11	AD644	Clip Molding for 45801	18
AD572	Power Cord for 45801	5	66645	Clip F/Pilaster for 45801	12	AD645	Main Harness for 45801	19
AD568	Switch for 45801	6	AD640	Pilaster for 45801	13	AD583	Motor Ground Harness for 45801	
66449	LED Driver, VB-12030D018 30W 115V 50/60Hz for 45801	7	66507	Thermometer, Wall MTG, 3017492 for 45801	14	AD646	Compressor Harness for 45801	

Condenser Assembly

Item No.	Description	Position	Item No.	Description	Position	Item No.	Description	Position
AD647	Compressor Base for 45801	1	AD597	Filter Drier for 45801	7	66512	Motor E WEL 1/70HP 115V 50/60Hz 1800RPM for 45801	13
AD648	Compressor for 45801	2	AD652	Discharge Pipe for 45801	8	66476	Nylon T Motor Injected Support for 45801	14
AD649	Condenser for 45801	3	66419	Charge Pipe 1/4" 0.180M for 45801	9	66408	Fan Blade MYF PLA 6" Dia. 31 Deg. for 45801	15
AD650	Condensate Pan for 45801	4	AD653	Vacuum Pipe for 45801	10	AD656	ACC Compressor Kit for 45801	16
AD596	Condenser Pan Support for 45801	5	AD654	Suction Line for 45801	11			
AD651	Capillary Tube 0.031"x150" for 45801	6	AD655	Motor Stand for 45801	12			

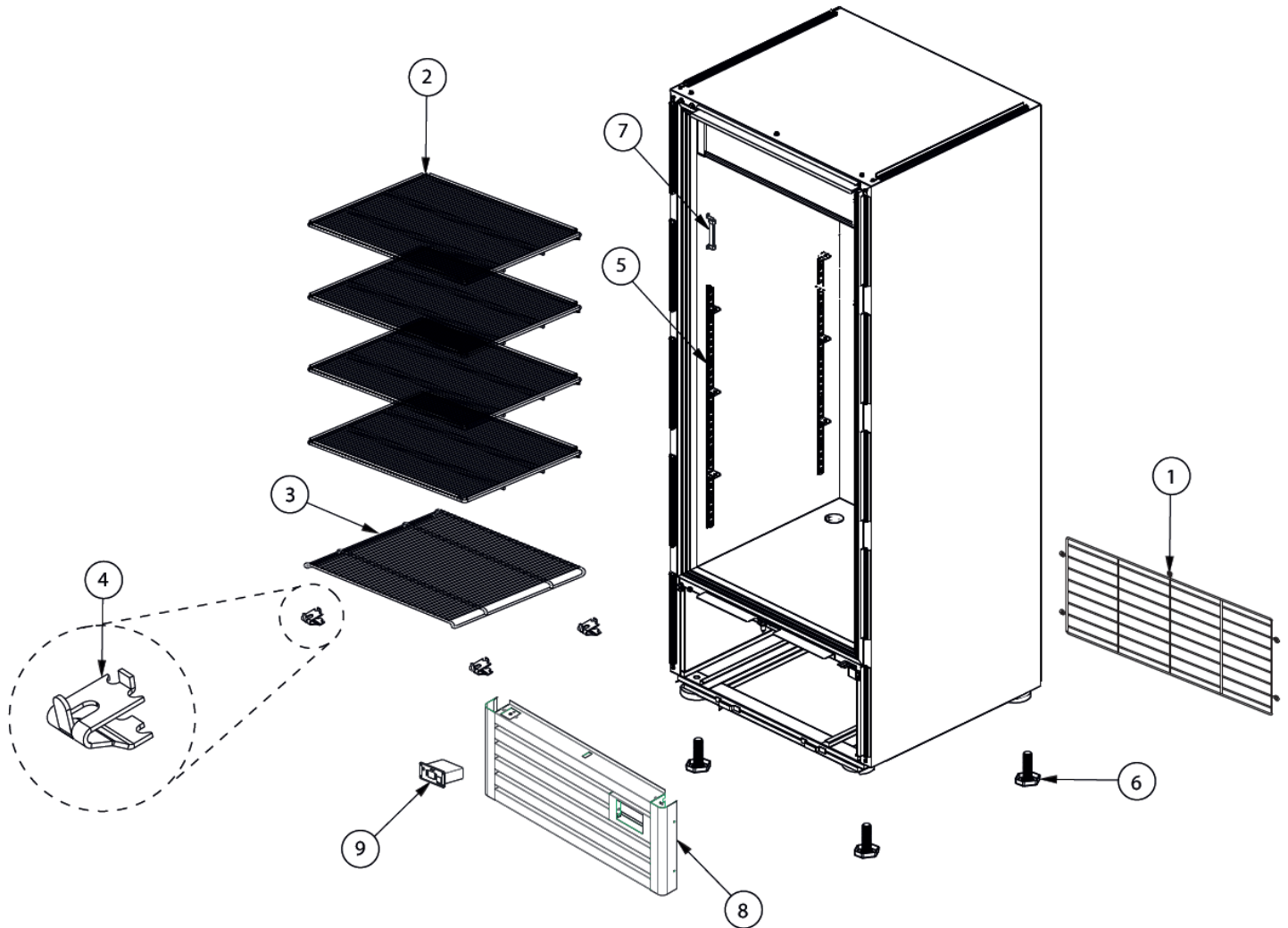
Door Assembly

Item No.	Description	Position	Item No.	Description	Position	Item No.	Description	Position
AD657	LED Module for 45801	1	66526	Self Closing, Steel-TSL BK with Wire for 45801	6	AD663	Hinge Cover for 45801	11
AD658	F-M Module Harness for 45801	2	AD616	Plastic Door Handle for 45801	7	AD664	Moulding Glass Fixer Cover for 45801	12
AD659	F-Driver Module Harness for 45801	3	AD617	Removable Rivet for 45801	8	AD665	Moulding Glass Fixer Cover for 45801	13
AD660	Glass Door for 45801	4	66456	MET Bottom Hinge RIG SCC TR34.5 for 45801	9			
AD661	Gasket for 45801	5	AD662	Top Hinge for 45801	10			

Parts Breakdown

Model VFS24 41221

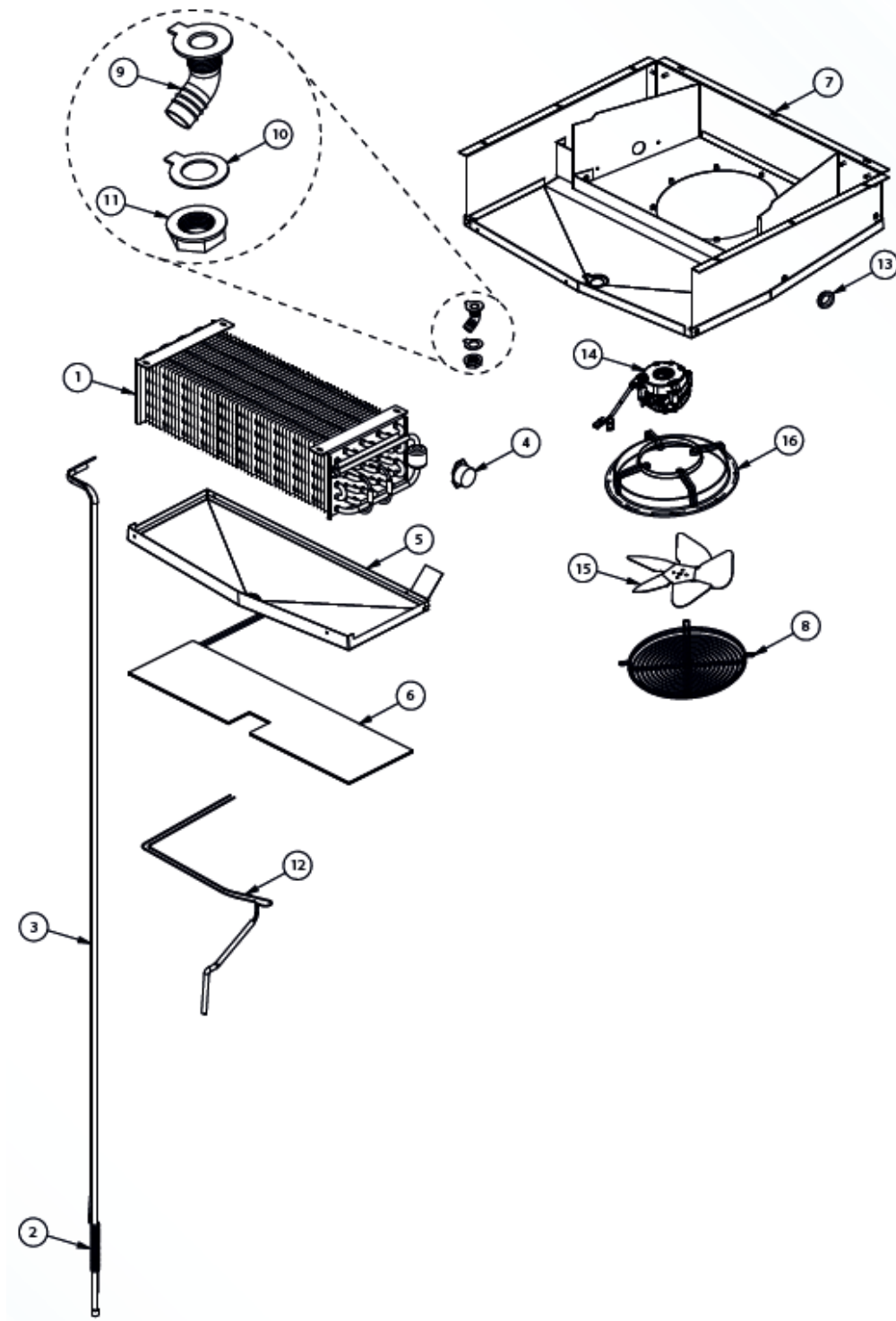
General Assembly



Parts Breakdown

Model VFS24 41221

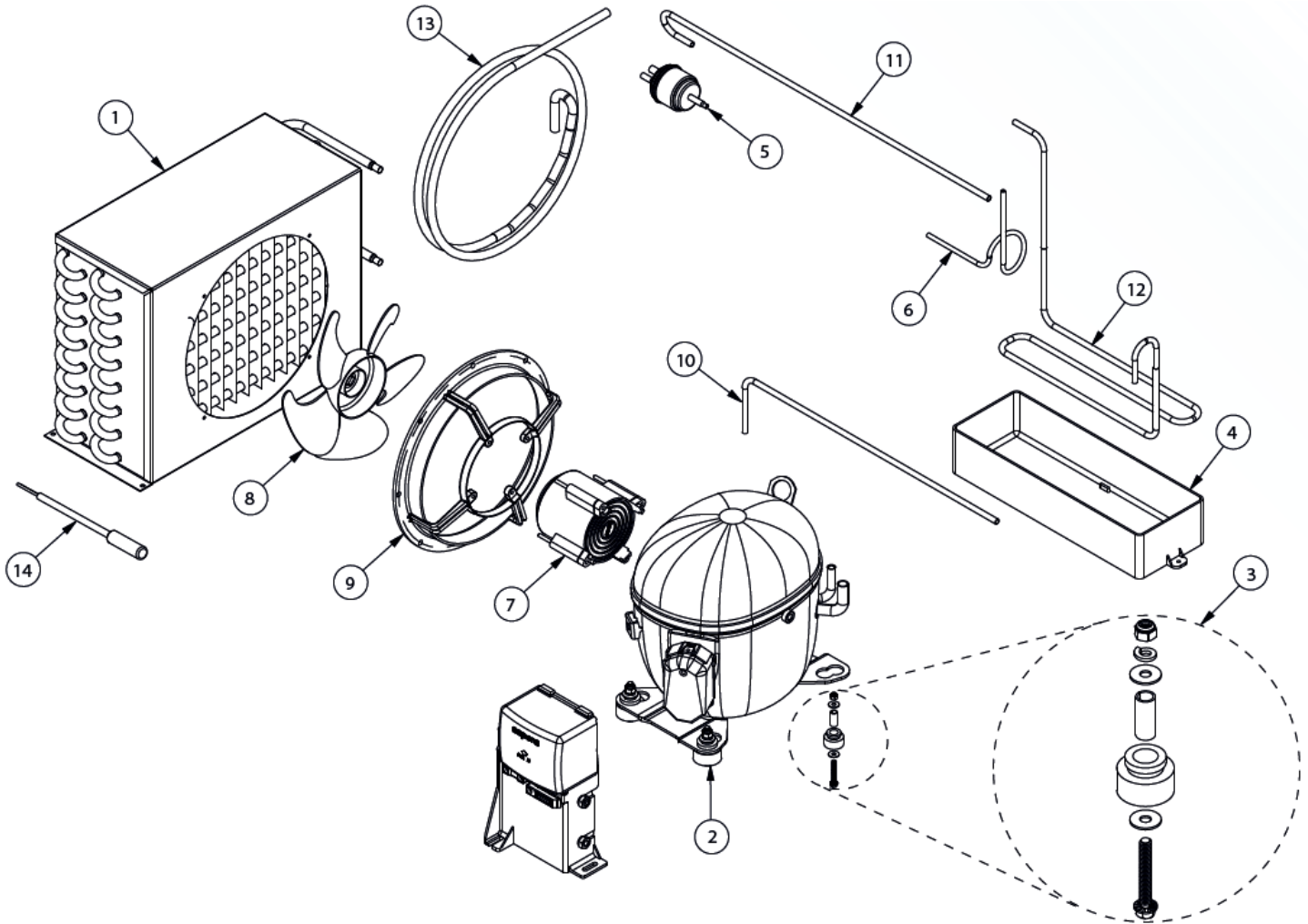
Evaporator Assembly



Parts Breakdown

Model VFS24 41221

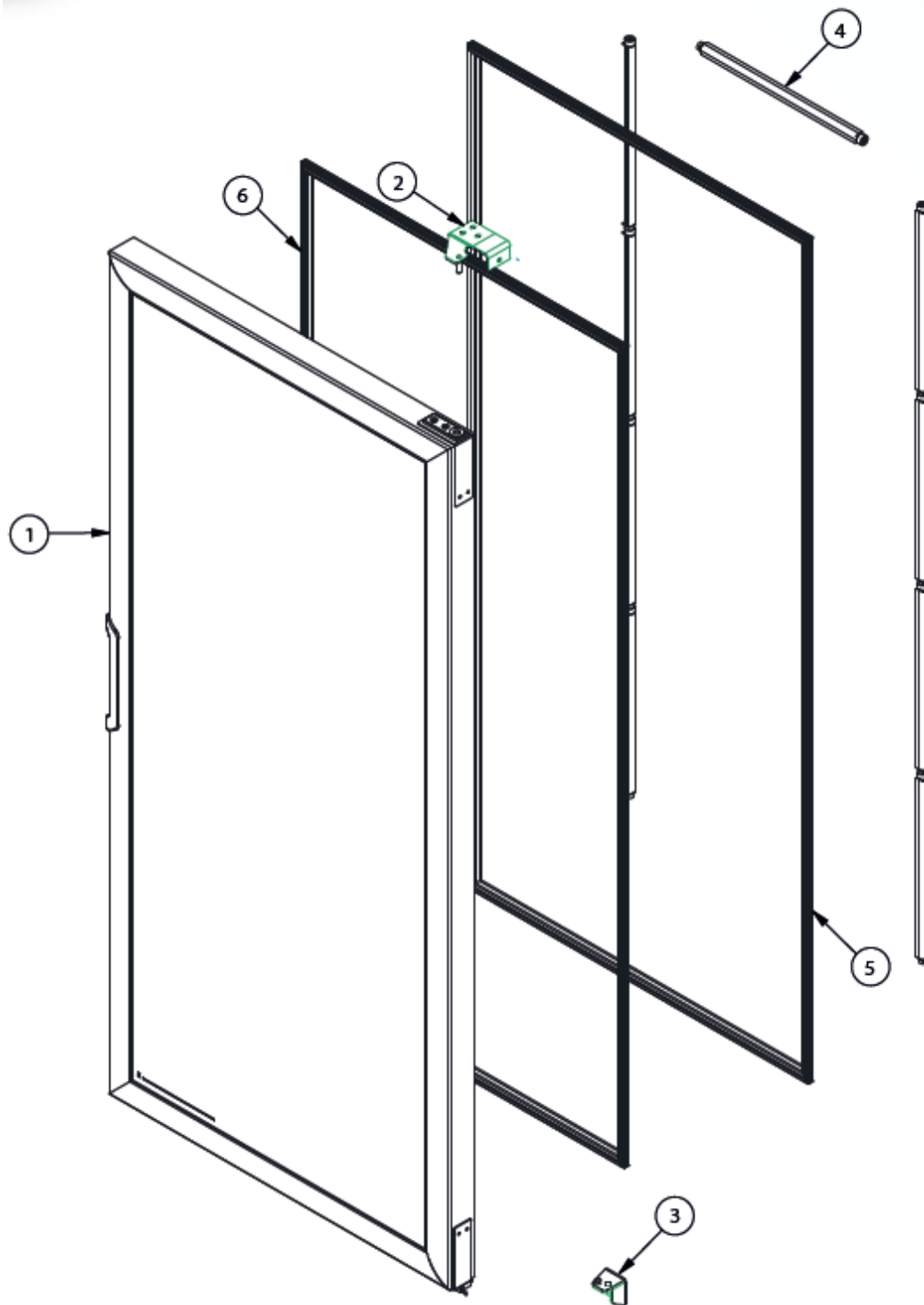
Condenser Assembly



Parts Breakdown

Model VFS24 41221

Door Assembly



Parts Breakdown

Model VFS24 41221

General Assembly

Item No.	Description	Position	Item No.	Description	Position	Item No.	Description	Position
62480	Back Grill G3D42 for 41221	1	66645	Clip, F/Pilaster for 41221	4	66507	Thermometer, Wall MTG, 3017492 for 41221	7
66643	Shelf for 41221	2	66646	Pilaster for 41221	5	66647	Metallic Front Grill for 41221	8
66644	Floor Shelf for 41221	3	66393	Leveling Screw, 1/2"-13x2" W/PLA UL for 41221	6	66648	Controller for 41221	9

Evaporator Assembly

Item No.	Description	Position	Item No.	Description	Position	Item No.	Description	Position
66649	Evaporator for 41221	1	66655	White Evap Housing for 41221	7A	66661	Drain Gasket for 41221	10
66650	Cap Tube for 41221	2	66656	Black Evap Housing for 41221	7B	66662	Heater for 41221	11
66651	Return Pipe for 41221	3	66657	White Grill, Wire Fan Blade for 41221	8A	66663	Grommet for 41221	12
66652	Bimetal Disc for 41221	4	66658	Black Grill, Wire Fan Blade for 41221	8B	66664	Evaporator Fan Motor, 13W 1800RPM for 41221	13
66653	Evap Pan for 41221	5	66659	White Couple for 41221	9A	66424	Fan Blade, Wel Pla 8" Diam. 28 Deg. for 41221	14
66654	Heater, FLE 100W 115V G00 for 41221	6	66660	Black Couple for 41221	9B	66493	ABS O Motor Evaporator Support for 41221	15

Condenser Assembly

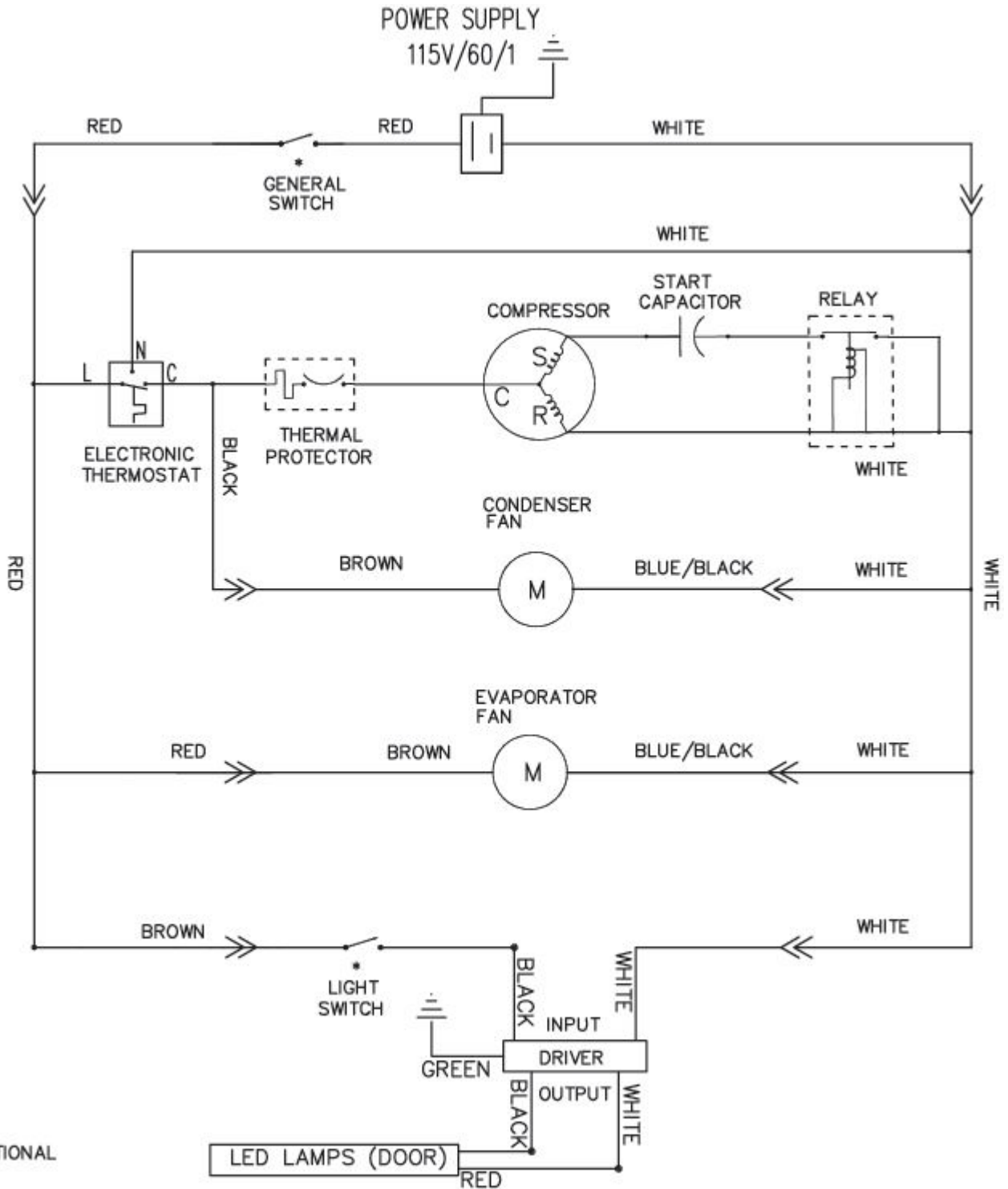
Item No.	Description	Position	Item No.	Description	Position	Item No.	Description	Position
64182	Condenser Coil Elite for 41221	1	66667	Cap Extension Pipe for 41221	6	66670	Vacuum Pipe for 41221	11
66665	Compressor NT2168GKV for 41221	2	66668	Condenser Fan Motor, 16W 1850RPM for 41221	7	66671	Discharge Pipe for 41221	12
66666	Compressor Accessories for 41221	3	66477	Fan Blade ELC PLA 8" Diam. 28 Deg. for 41221	8	66672	Suction Pipe for 41221	13
66518	ABS Condenser Pan EV46x72 for 41221	4	66493	ABS O Motor Evaporator Support for 41221	9	66673	Temperature Sensor for 41221	14
66555	Filter Drier VAL22TDV for 41221	5	66669	Charge Pipe for 41221	10			

Door Assembly

Item No.	Description	Position	Item No.	Description	Position	Item No.	Description	Position
66674	Glass Door for 41221	1	66676	Bottom Hinge for 41221	3	66677	Outer Gasket for 41221	5
66675	Top Hinge for 41221	2	66577	Module, 6 LEDs 1.2W 12V for 41221	4	66678	Inner Gasket for 41221	6

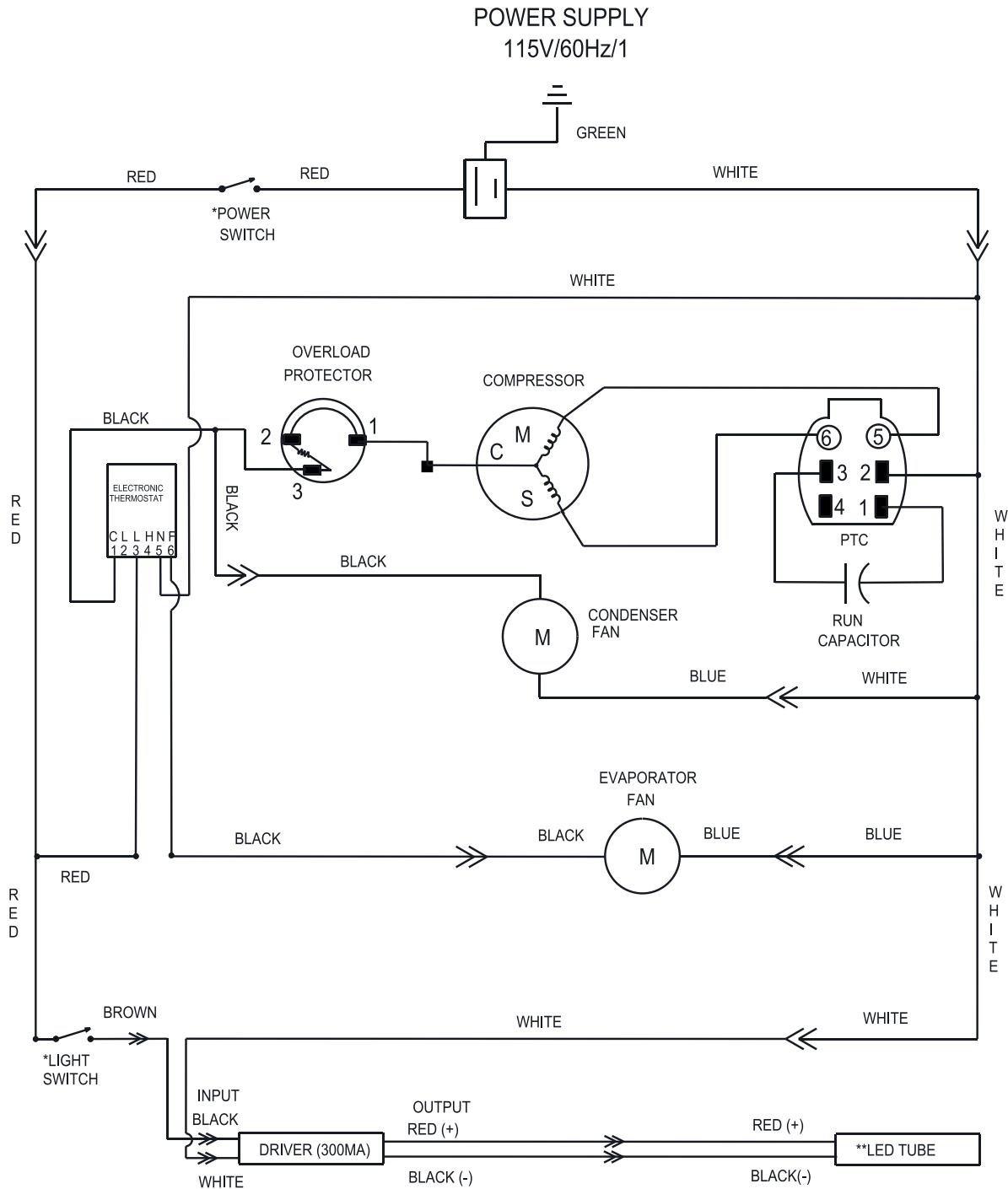
Electrical Schematics

Model VR08 41215



Electrical Schematics

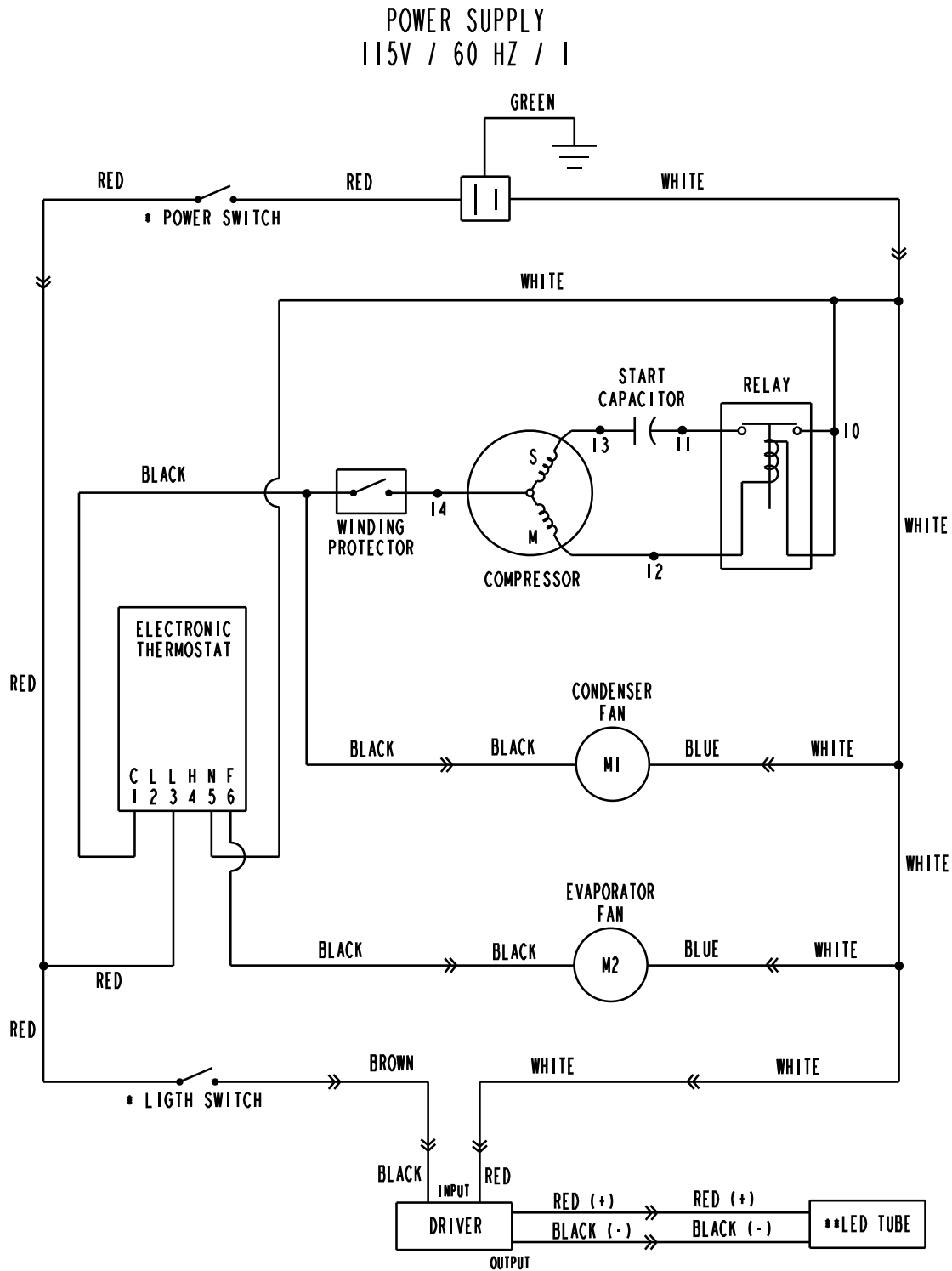
Model VR06 41214



* OPTIONAL
** THE QUANTITY COULD CHANGE

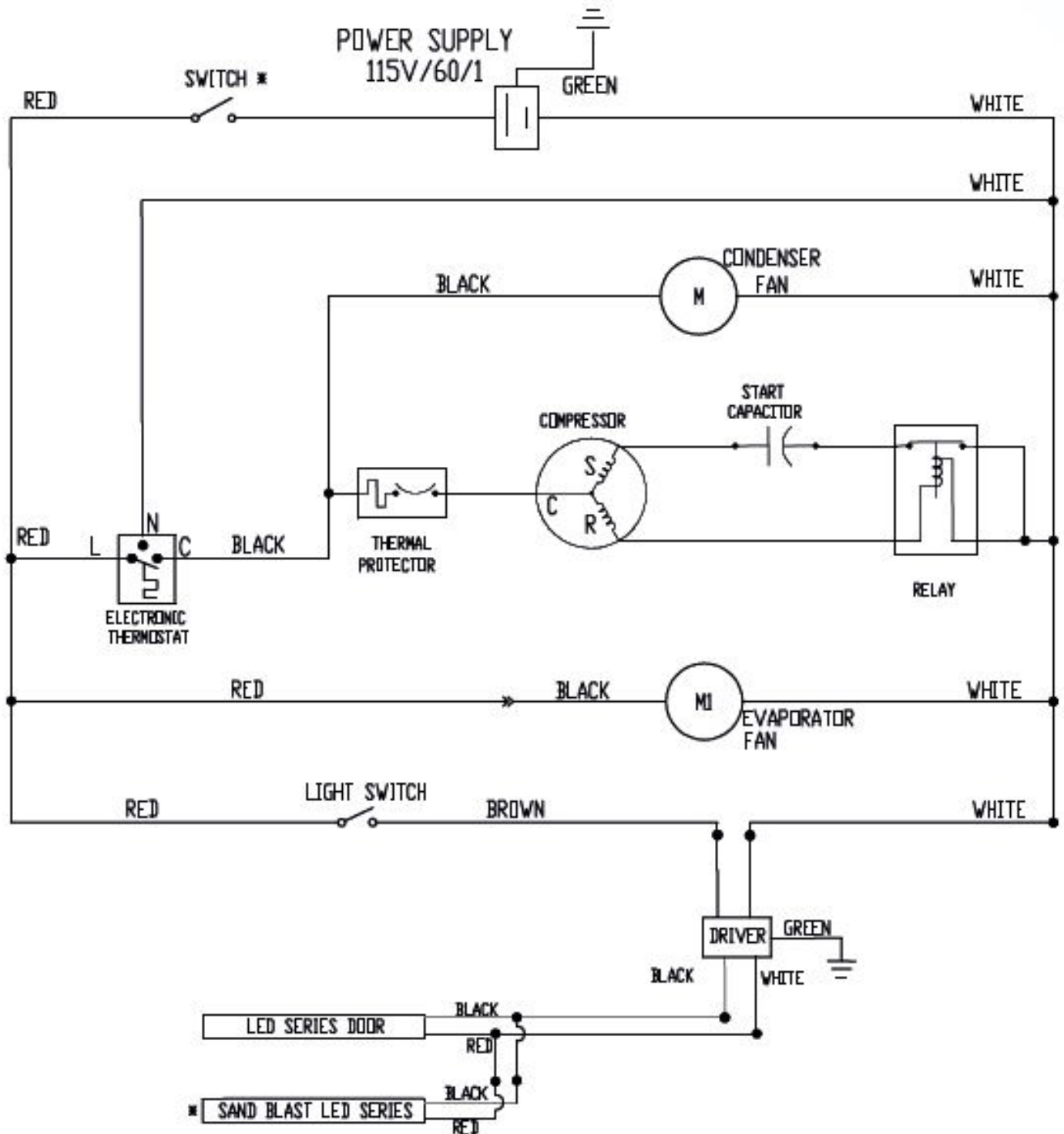
Electrical Schematics

Model VR12 41217



Electrical Schematics

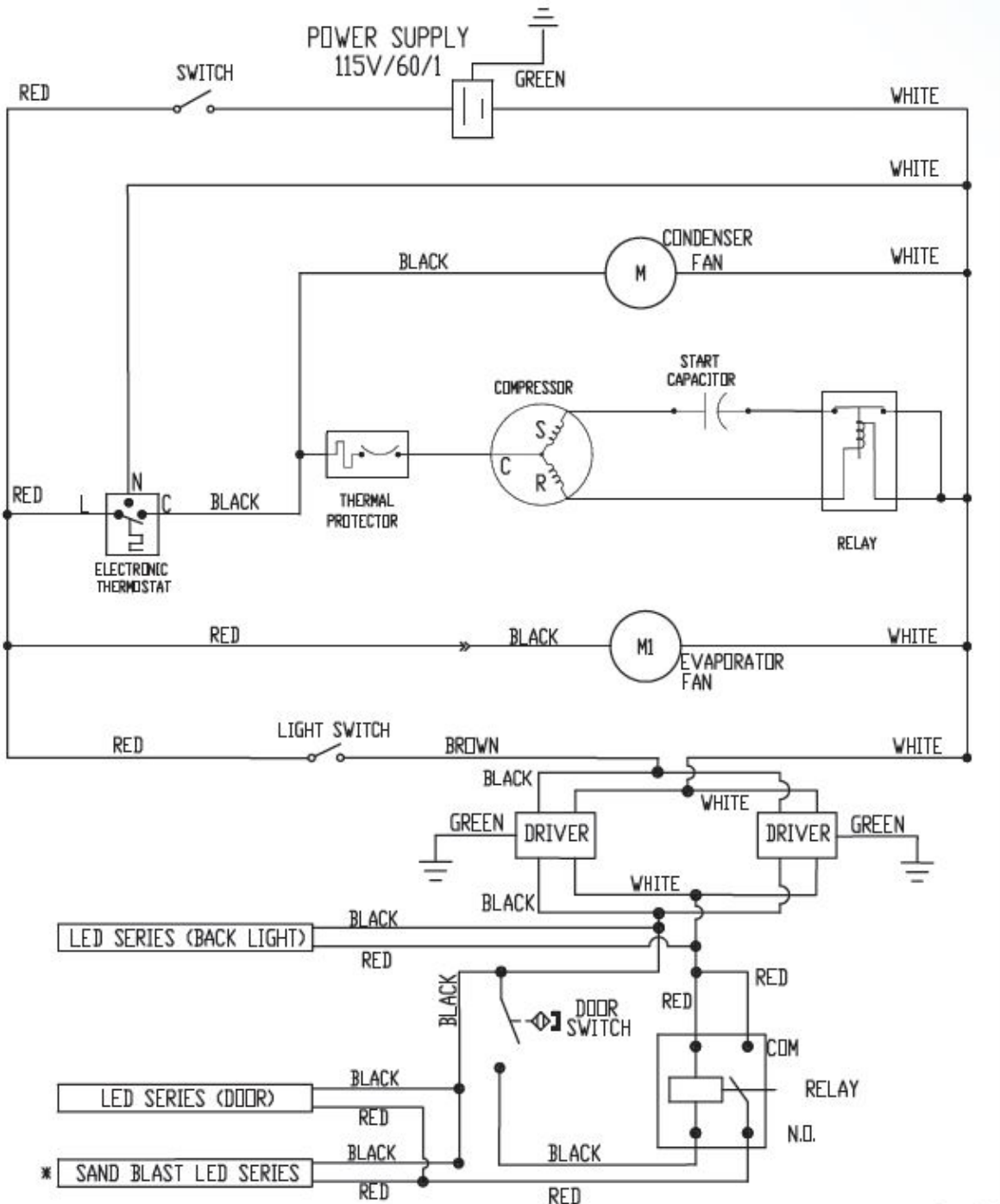
Model VR10 41216



Electrical Schematics

Model G319 HC 45445

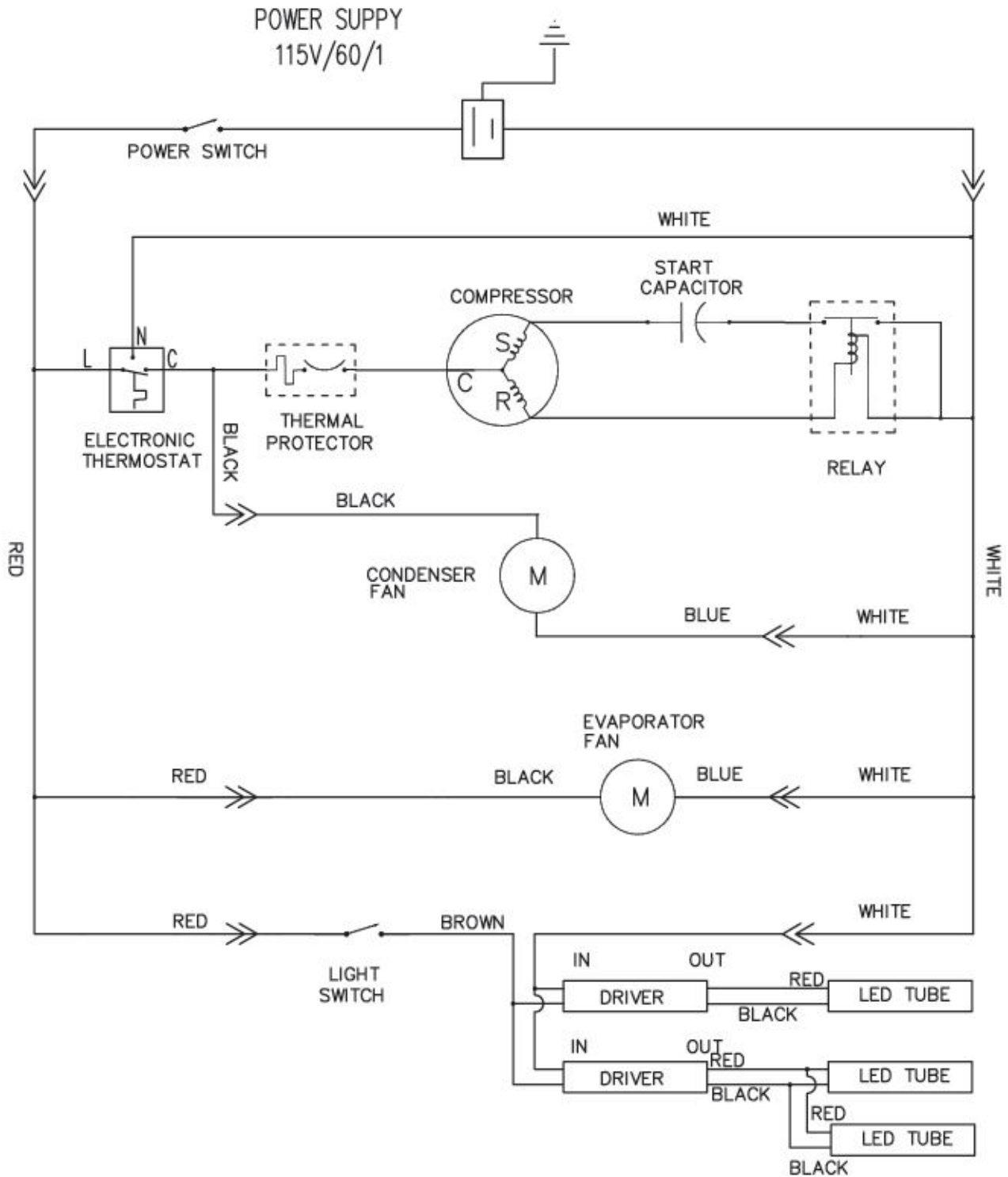
Model G319 41161



* OPTIONAL

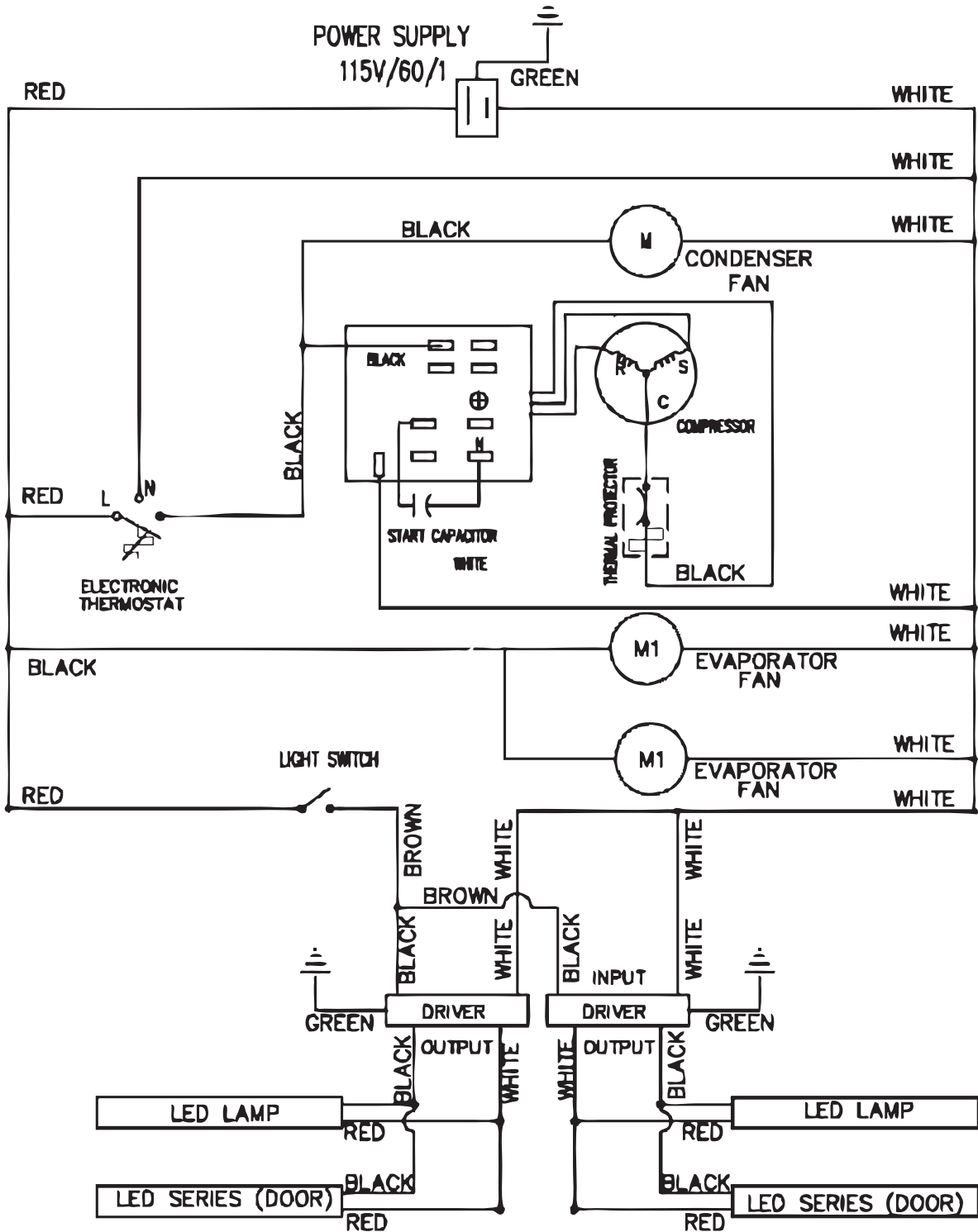
Electrical Schematics

Model VRD26 41219



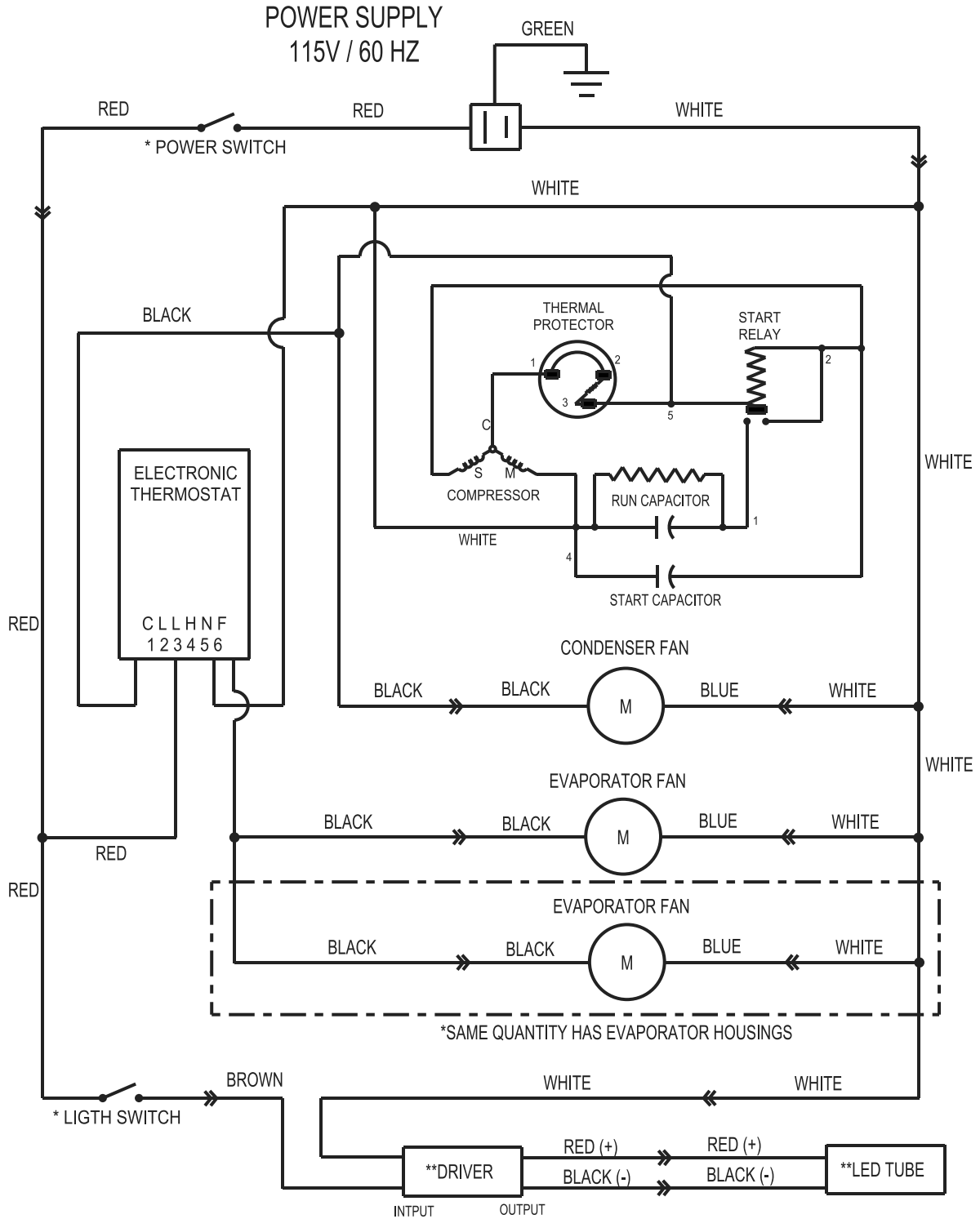
Electrical Schematics

Model VRD37 42862



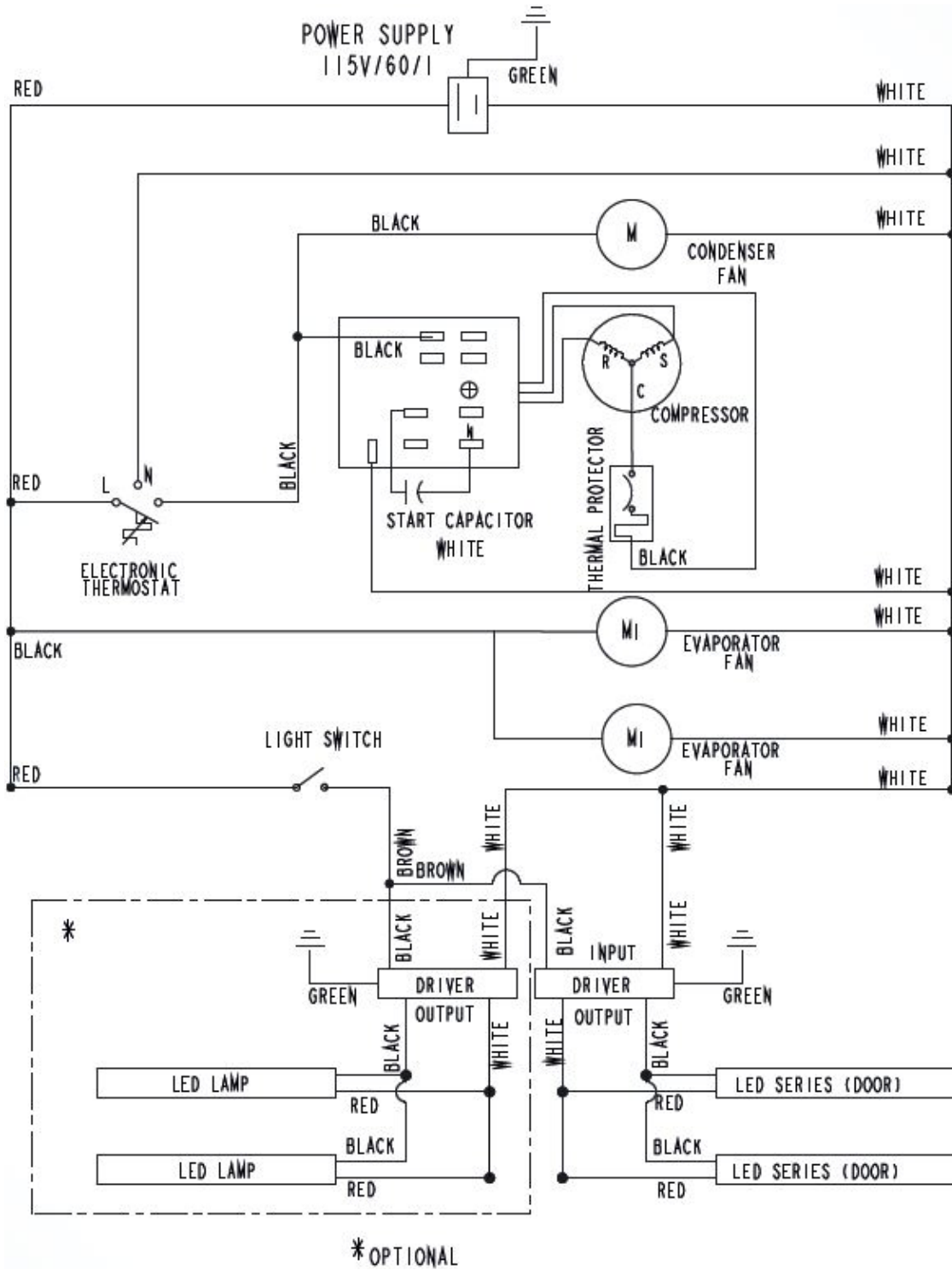
Electrical Schematics

Model VRD37 HC BW 45249



Electrical Schematics

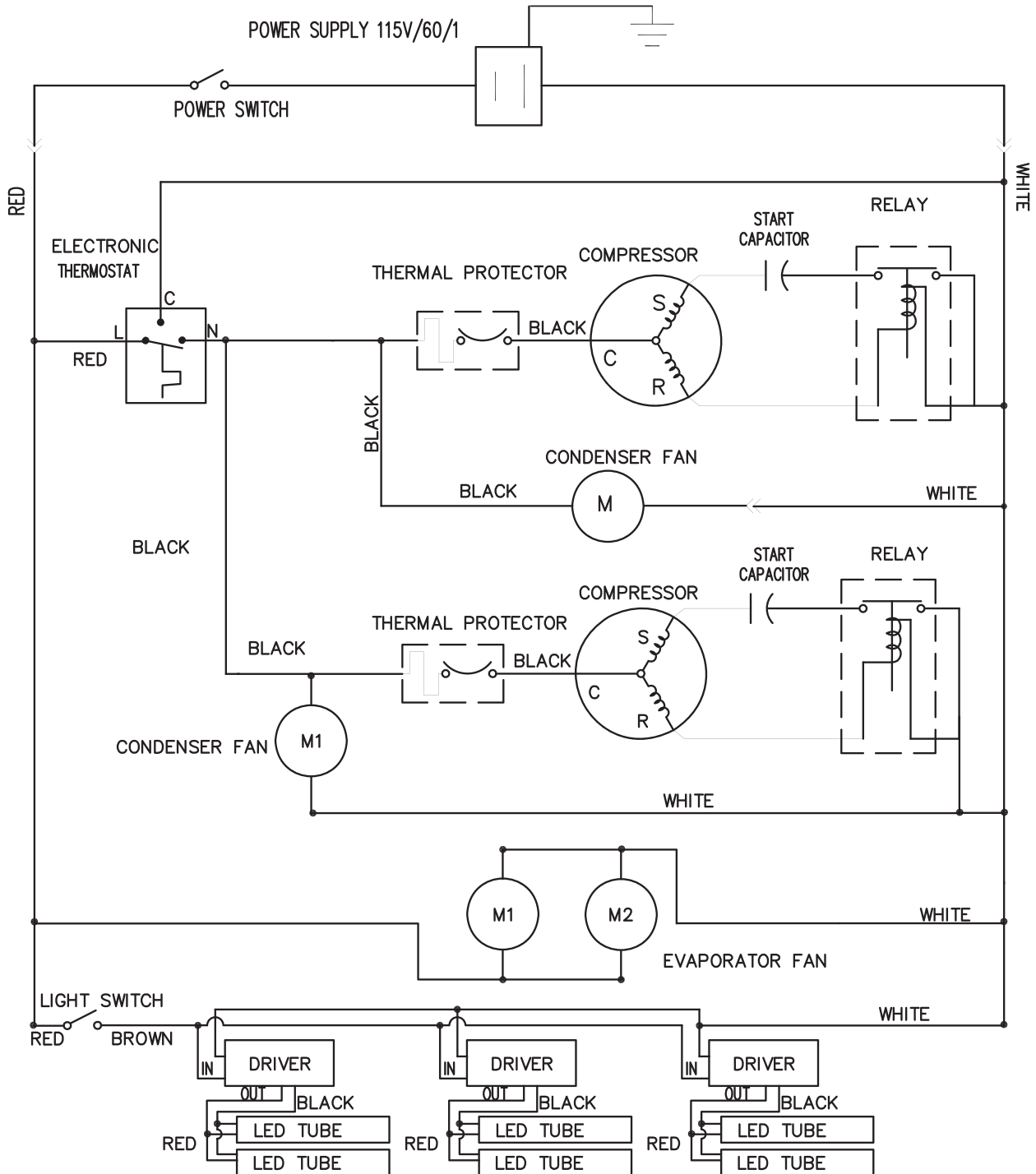
Model VRD43 41218



Electrical Schematics

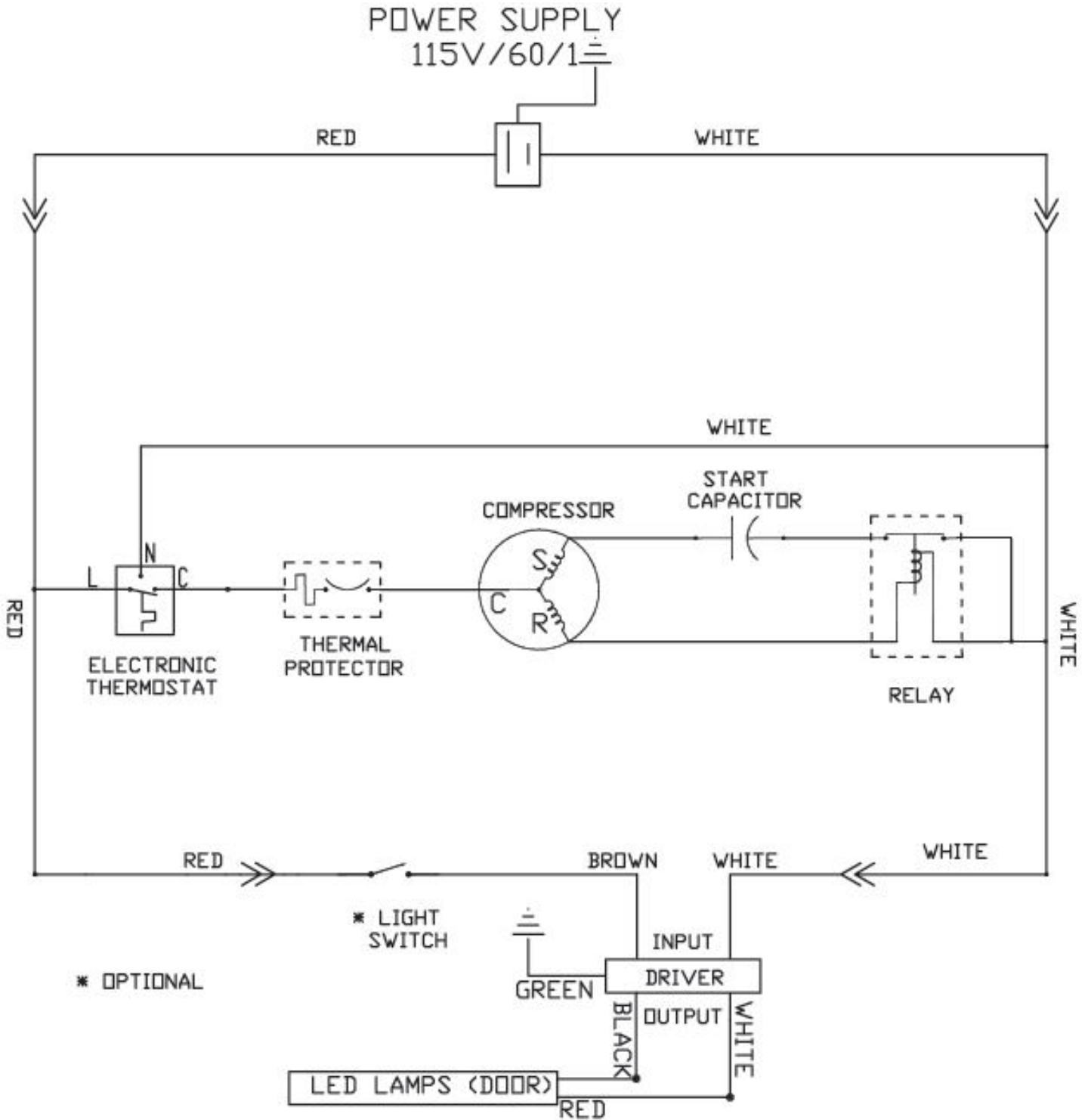
Model G372 41220

Model G372 BLACK 45250



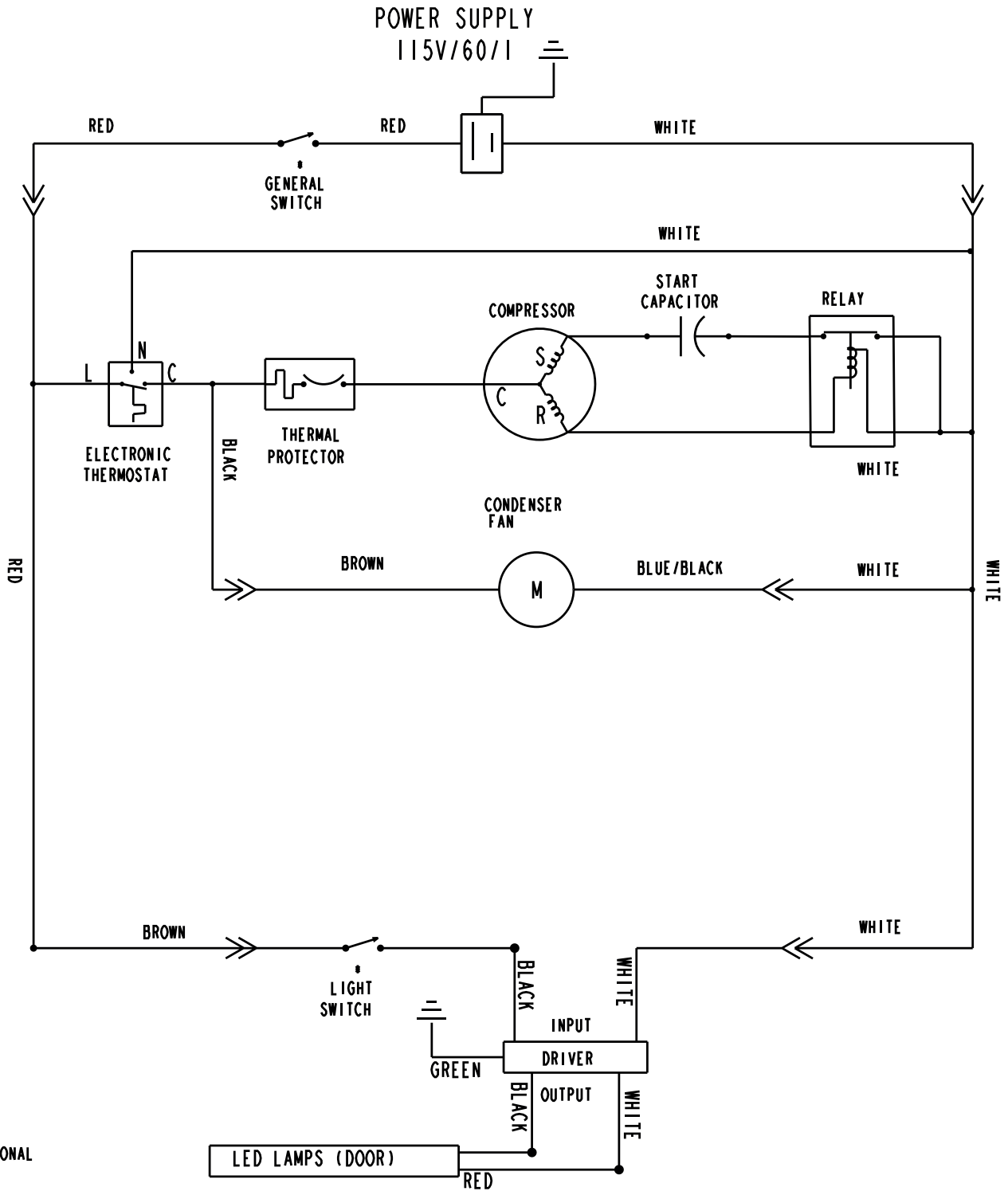
Electrical Schematics

Model VR1.5 45800



Electrical Schematics

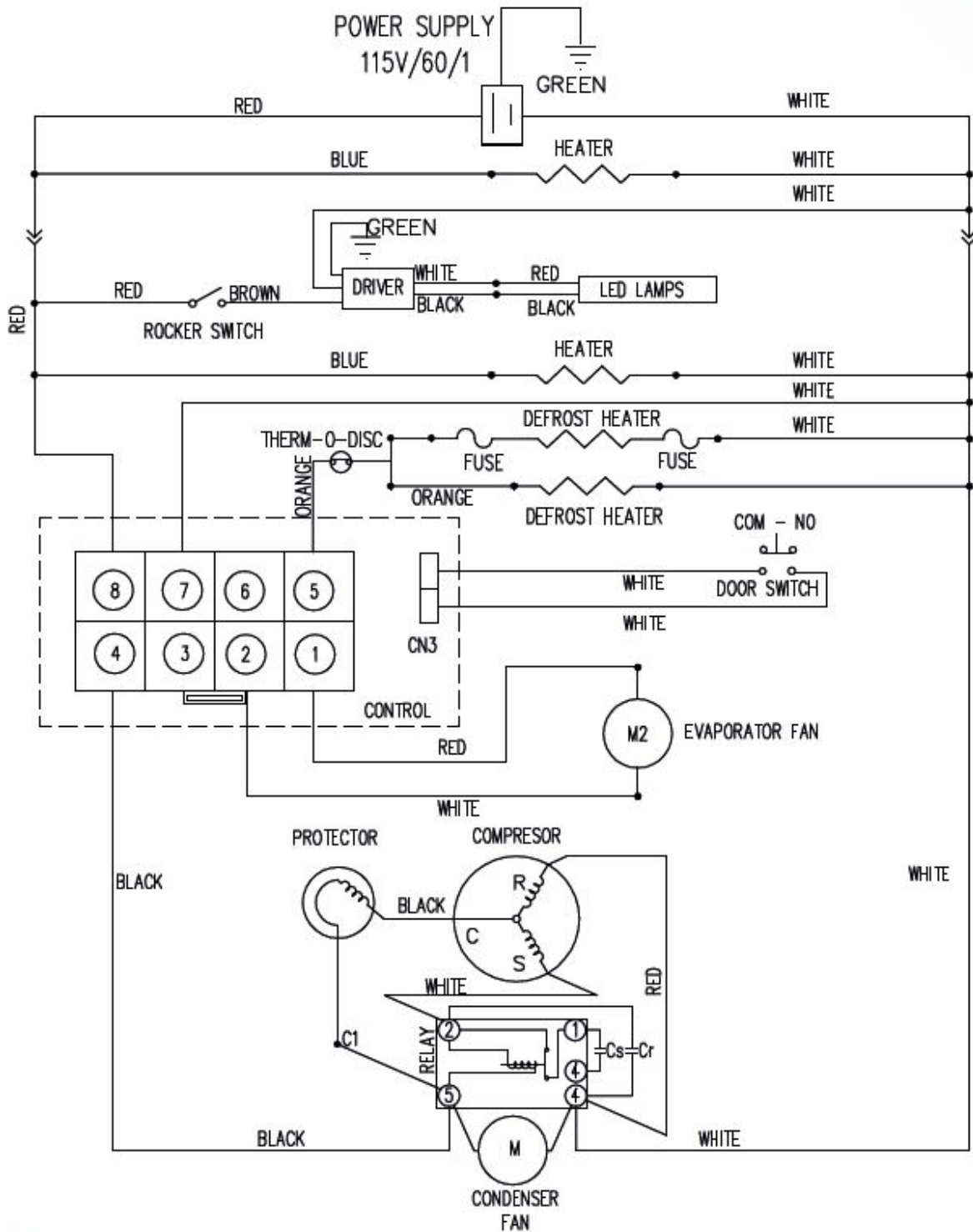
Model VR04 45801



• OPTIONAL

Electrical Schematics

Model VFS24 41221



Notes



Warranty Registration

Thank you for purchasing an Omcan product. To register your warranty for this product, complete the information below, tear off the card at the perforation and then send to the address specified below. You can also register online by visiting:

Merci d'avoir acheté un produit Omcan. Pour enregistrer votre garantie pour ce produit, complétez les informations ci-dessous, détachez la carte au niveau de la perforation, puis l'envoyer à l'adresse spécifiée ci-dessous. Vous pouvez également vous inscrire en ligne en visitant:

Gracias por comprar un producto Omcan usted. Para registrar su garantía para este producto, complete la información a continuación, cortar la tarjeta en la perforación y luego enviarlo a la dirección indicada a continuación. También puede registrarse en línea en:

<https://omcan.com/warranty-registration/>

For mailing in Canada

Pour postale au Canada

Por correo en Canadá

OMCAN

PRODUCT WARRANTY REGISTRATION

3115 Pepper Mill Court,

Mississauga, Ontario

Canada, L5L 4X5

For mailing in the US

Pour diffusion aux États-Unis

Por correo en los EE.UU.

OMCAN

PRODUCT WARRANTY REGISTRATION

4450 Witmer Industrial Estates, Unit 4,

Niagara Falls, New York

USA, 14305

or email to: service@omcan.com



Purchaser's Information

Name: _____

Address: _____

City: _____ Province or State: _____ Postal or Zip: _____

Country: _____

Dealer from which Purchased: _____

Dealer City: _____ Dealer Province or State: _____

Invoice: _____

Model Name: _____ Model Number: _____

Machine Description: _____

Date of Purchase (MM/DD/YYYY): _____

Would you like to extend the warranty? Yes No

Company Name: _____

Telephone: _____

Email Address: _____

Type of Company:

Restaurant Bakery Deli

Butcher Supermarket Caterer

Institution (specify): _____

Other (specify): _____

Serial Number: _____

Date of Installation (MM/DD/YYYY): _____

Thank you for choosing Omcan | Merci d'avoir choisi Omcan | Gracias por elegir Omcan



Since 1951 Omcan has grown to become a leading distributor of equipment and supplies to the North American food service industry. Our success over these many years can be attributed to our commitment to strengthen and develop new and existing relationships with our valued customers and manufacturers. Today with partners in North America, Europe, Asia and South America, we continually work to improve and grow the company. We strive to offer customers exceptional value through our qualified local sales and service representatives who provide convenient access to over 6,500 globally sourced products.

Depuis 1951 Omcan a grandi pour devenir un des “leaders” de la distribution des équipements et matériel pour l’industrie des services alimentaires en Amérique du Nord. Notre succès au cours de ces nombreuses années peut être attribué à notre engagement à renforcer et à développer de nouvelles et existantes relations avec nos clients et les fabricants de valeur. Aujourd’hui avec des partenaires en Amérique du Nord, Europe, Asie et Amérique du Sud, nous travaillons continuellement à améliorer et développer l’entreprise. Nous nous efforçons d’offrir à nos clients une valeur exceptionnelle grâce à nos ventes locales qualifiées et des représentants de service qui offrent un accès facile à plus de 6500 produits provenant du monde entier.

Desde 1951 Omcan ha crecido hasta convertirse en un líder en la distribución de equipos y suministros de alimentos en América del Norte industria de servicios. Nuestro éxito en estos años se puede atribuir a nuestro compromiso de fortalecer y desarrollar nuevas relaciones existentes con nuestros valiosos clientes y fabricantes. Hoy con socios de América del Norte, Europa, Asia y América del Sur, que trabajan continuamente para mejorar y crecer la empresa. Nos esforzamos por ofrecer a nuestros clientes valor excepcional a través de nuestro local de ventas y representantes de los servicios que proporcionan un fácil acceso a más de 6,500 productos con origen a nivel mundial.

