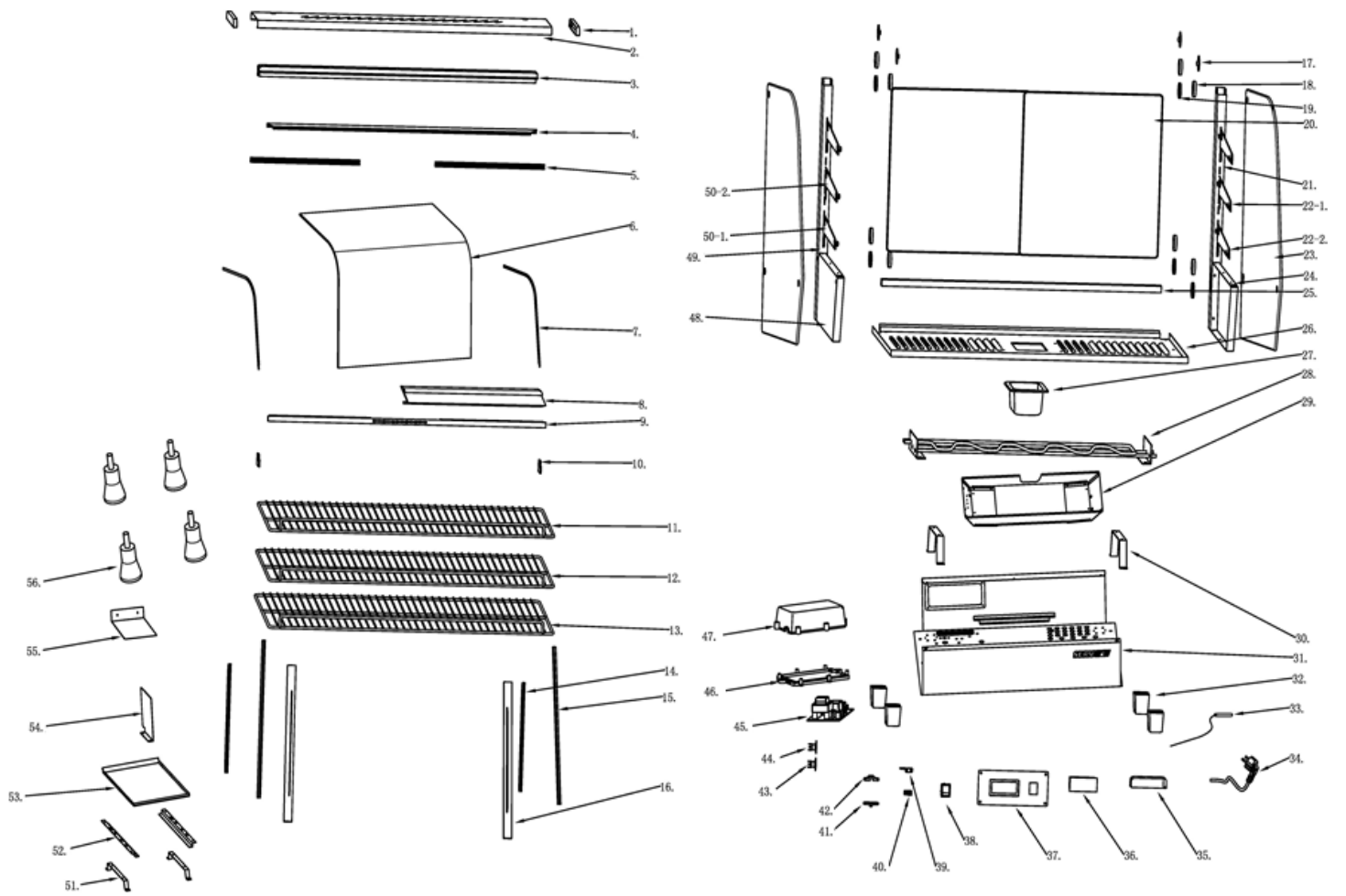


# Parts Breakdown

Model DW-CN-0160-E 47455



# Parts Breakdown

## Model DW-CN-0160-E 47455

Item No.	Description	Position	Item No.	Description	Position	Item No.	Description	Position
AD867	Side Board for Light Cover for 47455	1	71656	Right Pillar for 47455	21	AD869	Equipotential Grounding Block for 47455	40
AJ516	Lampshade for 47455	2	AJ493	Right Bracket on the Net Rack for 47455	22-1	61246	Wire Clip Holder for 47455	41
71682	Sliding Glass Track for 47455	3	AJ494	Right Stand under the Net Rack for 47455	22-2	61245	Wire Clamp Cover for 47455	42
AJ517	LED for 47455	4	AJ495	Side Glass for 47455	23	70862	Thermostat T1/33 for 47455	43
AD871	Sealing Strip for 47455	5	71649	Right Panel for 47455	24	70863	Thermostat T1M/33 for 47455	44
71681	Curved Front Glass for 47455	6	AJ520	Back Door Chute for 47455	25	AJ507	Small Motherboard for 47455	45
AD851	Sealing Strip (Thin) for 47455	7	AJ521	Thermal Base Plate for 47455	26	AA051	Control Box Cover for 47455	46
AD872	Sealing Strip for 47455	8	71658	1/9 GN Pan for 47455	27	AA050	Controller Box for 47455	47
AJ518	Probe Fixing Plate for 47455	9	AJ522	V-Shaped Heating Pipe for 47455	28	71651	Left Panel for 47455	48
AJ489	Column Gasket for 47455	10	AJ523	Heater Pipe Chassis for 47455	29	71648	Left Pillar for 47455	49
71683	Shelf for 47455	11	AJ500	Heater Stand for 47455	30	AJ508	Left Stand under the Net Rack for 47455	50-1
71684	Shelf for 47455	12	AJ524	Mainframe for 47455	31	AJ509	Left Bracket on the Net Rack for 47455	50-2
71685	Chrome Shelf 3 for 47455	13	AJ502	Square Foot Pad for 47455	32	AJ510	Heater Bracket Chassis for 47455	51
70675	Sheath of Door Knob for 47455	14	AJ503	Temperature Probe for 47455	33	AJ511	Drawer Baffle Bracket for 47455	52
AJ490	Sliding Door Insert for 47455	15	AJ424	Power Plug for 47455	34	AJ526	Drawer for 47455	53
AJ491	Pull out the Door for 47455	16	AJ525	Power Drive for 47455	35	AJ513	Water Box Baffle for 47455	54
71641	Decoration Nut Gasket for 47455	17	AJ505	New Display for 47455	36	AJ527	Heating Pipe Baffle for 47455	55
79312	Nut Decoration for 47455	18	AJ506	Switch Panel for 47455	37	AJ515	Rubber Adjustable Feet for 47455	56
79313	Nut Gasket for 47455	19	AR485	Switch (Higher Amp) for 47455	38			
AJ519	Rear Door Glass for 47455	20	AD870	Fixed Plate for 47455	39			