



**8-Liter Bowl Cutter**  
*Models FP-CN-0008, 0008-B*  
*Items 16998, 16999*  
**Instruction Manual**



*Revised - 11/23/2023*



Toll Free: 1-800-465-0234  
Fax: 905-607-0234  
Email: [service@omcan.com](mailto:service@omcan.com)  
[www.omcan.com](http://www.omcan.com)



# ***Table of Contents***

Model FP-CN-0008 / Model FP-CN-0008-B

---

<b>Section</b>	<b>Page</b>
General Information -----	3 - 4
Safety and Warranty -----	4 - 5
Technical Specifications -----	6
Operation -----	6
Maintenance -----	6 - 7
Parts Breakdown -----	8 - 9
Electrical Schematics -----	10 - 11
Notes -----	12 - 14
Warranty Registration -----	15



# General Information

---

Omcan Manufacturing and Distributing Company Inc., Food Machinery of America, Inc. dba Omcan and Omcan Inc. are not responsible for any harm or injury caused due to any person's improper or negligent use of this equipment. The product shall only be operated by someone over the age of 18, of sound mind, and not under the influence of any drugs or alcohol, who has been trained in the correct operation of this machine, and is wearing authorized, proper safety clothing. Any modification to the machine voids any warranty, and may cause harm to individuals using the machine or in the vicinity of the machine while in operation.

## CHECK PACKAGE UPON ARRIVAL

Upon receipt of an Omcan shipment please inspect for external damage. If no damage is evident on the external packaging, open carton to ensure all ordered items are within the box, and there is no concealed damage to the machine. If the package has suffered rough handling, bumps or damage (visible or concealed), please note it on the bill of lading before accepting the delivery and contact Omcan within 24 hours, so we may initiate a claim with the carrier. A detailed report on the extent of the damage caused to the machine must be filled out within three days, from the delivery date shown in the shipping documents. Omcan has no recourse for damaged products that were shipped collect or third party.

**Before operating any equipment, always read and familiarize yourself with all operation and safety instructions.**

Omcan would like to thank you for purchasing this machine. It's of the utmost importance to save these instructions for future reference. Also save the original box and packaging for shipping the equipment if servicing or returning of the machine is required.

---

Omcan Fabrication et distribution Compañie Limité et Food Machinery d'Amérique, dba Omcan et Omcan Inc. ne sont pas responsables de tout dommage ou blessure causé du fait que toute personne ait utilisé cet équipement de façon irrégulière. Le produit ne doit être exploité que par quelqu'un de plus de 18 ans, saine d'esprit, et pas sous l'influence d'une drogue ou d'alcool, qui a été formé pour utiliser cette machine correctement, et est vêtu de vêtements de sécurité approprié. Toute modification de la machine annule toute garantie, et peut causer un préjudice à des personnes utilisant la machine ou des personnes à proximité de la machine pendant son fonctionnement.

## VÉRIFIEZ LE COLIS DÈS RÉCEPTION

Dès réception d'une expédition d'Omcan veuillez inspecter pour dommages externes. Si aucun dommage n'est visible sur l'emballage externe, ouvrez le carton afin de s'assurer que tous les éléments commandés sont dans la boîte, et il n'y a aucun dommage dissimulé à la machine. Si le colis n'a subi aucune mauvaises manipulations, de bosses ou de dommages (visible ou cachée), notez-le sur le bond de livraison avant d'accepter la livraison et contactez Omcan dans les 24 heures qui suivent, pour que nous puissions engager une réclamation auprès du transporteur. Un rapport détaillé sur l'étendue des dommages causés à la machine doit être rempli dans un délai de trois jours, à compter de la date de livraison indiquée dans les documents d'expédition. Omcan n'a aucun droit de recours pour les produits endommagés qui ont été expédiées ou cueilli par un tiers transporteur.

# General Information

---

Avant d'utiliser n'importe quel équipement, toujours lire et vous familiariser avec toutes les opérations et les consignes de sécurité.

Omcan voudrais vous remercier d'avoir choisi cette machine. Il est primordial de conserver ces instructions pour une référence ultérieure. Également conservez la boîte originale et l'emballage pour l'expédition de l'équipement si l'entretien ou le retour de la machine est nécessaire.

---

Omcan Empresa De Fabricacion Y Distribucion Inc. Y Maquinaria De Alimentos De America, Inc. dba Omcan y Omcan Inc. no son responsables de ningun daño o perjuicio causado por cualquier persona inadecuada o el uso descuidado de este equipo. El producto solo podra ser operado por una persona mayor de 18 años, en su sano juicio y no bajo alguna influencia de droga o alcohol, y que este ha sido entrenado en el correcto funcionamiento de esta máquina, y ésta usando ropa apropiada y autorizada. Cualquier modificación a la máquina anula la garantía y puede causar daños a las personas usando la máquina mientras esta en el funcionamiento.

## REVISE EL PAQUETE A SU LLEGADA

Tras la recepcion de un envio Omcan favor inspeccionar daños externos. Si no hay daños evidentes en el empaque exterior, Habra el carton para asegurarse que todos los articulos solicitados estén dentro de la caja y no encuentre daños ocultos en la máquina. Si el paquete ha sufrido un manejo de poco cuidado, golpes o daños (visible o oculto) por favor anote en la factura antes de aceptar la entrega y contacte Omcan dentro de las 24 horas, de modo que podamos iniciar una reclamación con la compañía. Un informe detallado sobre los daños causados a la máquina debe ser llenado en el plazo de tres días, desde la fecha de entrega que se muestra en los documentos de envío. Omcan no tiene ningun recurso por productos dañados que se enviaron a recoger por terceros.

Antes de utilizar cualquier equipo, siempre lea y familiarizarse con todas las instrucciones de funcionamiento y seguridad.

Omcan le gustaría darle las gracias por la compra de esta máquina. Es de la mayor importancia para salvar estas instrucciones para futuras consultas. Además, guarda la caja original y el embalaje para el envío del equipo si servicio técnico o devolución de la máquina que se requiere.

# Safety and Warranty

---

## WARNING

### PLEASE READ THE USER MANUAL CAREFULLY BEFORE OPERATING THE MACHINE

- New user or repairing this product must be performed by the experts or qualified person or those who have gotten the license of installation, or those who are authorized by the manufacturer.
- When installation or maintenance, please obey the following instructions carefully to ensure the safety use of this appliance.

# *Safety and Warranty*

---

- Please keep this instruction manual for future reference, or hand it to next user.
- Put off the package to make sure none of the parts is missing or damaged. If there is any doubt about the product, please do not use it, and consult it to the experts.
- Keep the packing material out of reach of the children to avoid accident (especially the plastic bag, screw, etc).
- This appliance could be only operated by the person who is familiar with the unit.
- When not using the appliance or the operator is absent, please turn off the unit to avoid any accidental injury or damage.
- When it needs to be repaired, please ask for expert, and use the original fitted spare part. It will be dangerous if the above requirements are not being followed.
- This appliance is just for commercial using, not for any other use. Otherwise, it may be dangerous.
- Do not rinse the equipment with water directly.
- Clean the surface of stainless steel periodically with appropriate method to prevent any damage brought by oxidization or any other chemical interference.

**RESIDENTIAL USERS: vendor assumes no liability for parts or labor coverage for component failure or other damages resulting from installation in non-commercial or residential applications. The right is reserved to deny shipment for residential usage; if this occurs, you will be notified as soon as possible.**

## **1 YEAR PARTS AND LABOUR WARRANTY**

**Within the warranty period, contact Omcan Inc. at 1-800-465-0234 to schedule an Omcan authorized service technician to repair the equipment locally.**

**Unauthorized maintenance will void the warranty. Warranty covers electrical and part failures, not improper use.**

**Please see <https://omcan.com/disclaimer> for complete info.**

### **WARNING:**

The packaging components are classified as normal solid urban waste and can therefore be disposed of without difficulty.

**In any case, for suitable recycling, we suggest disposing of the products separately (differentiated waste) according to the current norms.**

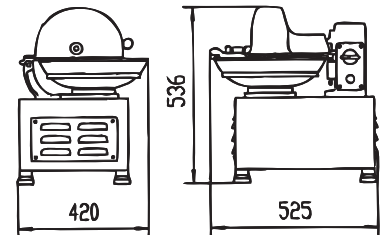
**DO NOT DISCARD ANY PACKAGING MATERIALS IN THE ENVIRONMENT!**

# Technical Specifications

Model	FP-CN-0008	FP-CN-0008-B
Power	1 HP	
Capacity	8 L / 2.1 Gal	
Bowl Dimensions (Dia. x H)	18" x 4" / 457 x 102mm	
Productivity per Hour	264.6 lbs. / 120 kgs.	
RPM	1400	
Electrical	110-120V / 60Hz / 1	220V / 60Hz / 1
Weight	198 lbs. / 89.8 kgs.	
Packaging Weight	220 lbs. / 99.8 kgs.	
Packaging Dimensions	34" x 25" x 26" / 864 x 635 x 660mm	
Item Number	16998	16999

## Operation

Before use, check that power supply corresponds to that required by the machine, and the machine must be grounded. Check the fixed nut of blade and tighten it. Cut meat into pieces, suiting the feed-size. Feed the pieces in order, and keep the work smoothly. After use, disconnect from the electricity supply, discharge the top cover, and wash blades, as to avoid bacteria growth. Do not flow water into the bearing and motor. Lubricate the bearings and gears occasionally.



## Maintenance

- Always turn the machine off before proceeding with its cleaning. Disconnect the machine from the main power source and deactivate power on breaker panel. The machine should be cleaned daily, both before and after its use. Given the easy access to all its components, the cutter/chopper is simple to clean using just warm water and a mild detergent.
- Never use bleach nor any abrasive cleaners which could damage the stainless steel or other materials.
- Never use steam or a high pressure jet of water to clean the cutter/chopper; avoid getting water in the interior of the machine, especially through or around any electrical components.
- After every operating session, use a brush to carefully clean the bowl, the knife shaft, and the interior part of the knife lid, the hinge of the lid, and the lid holding screws if necessary.
- Do not put your hands near the cutting edge of the knives without using adequate protection (gloves made of reinforced metal fiber).
- The knife head can be removed in one piece in order to clean it under running water; take care not to drop

# *Maintenance*

---

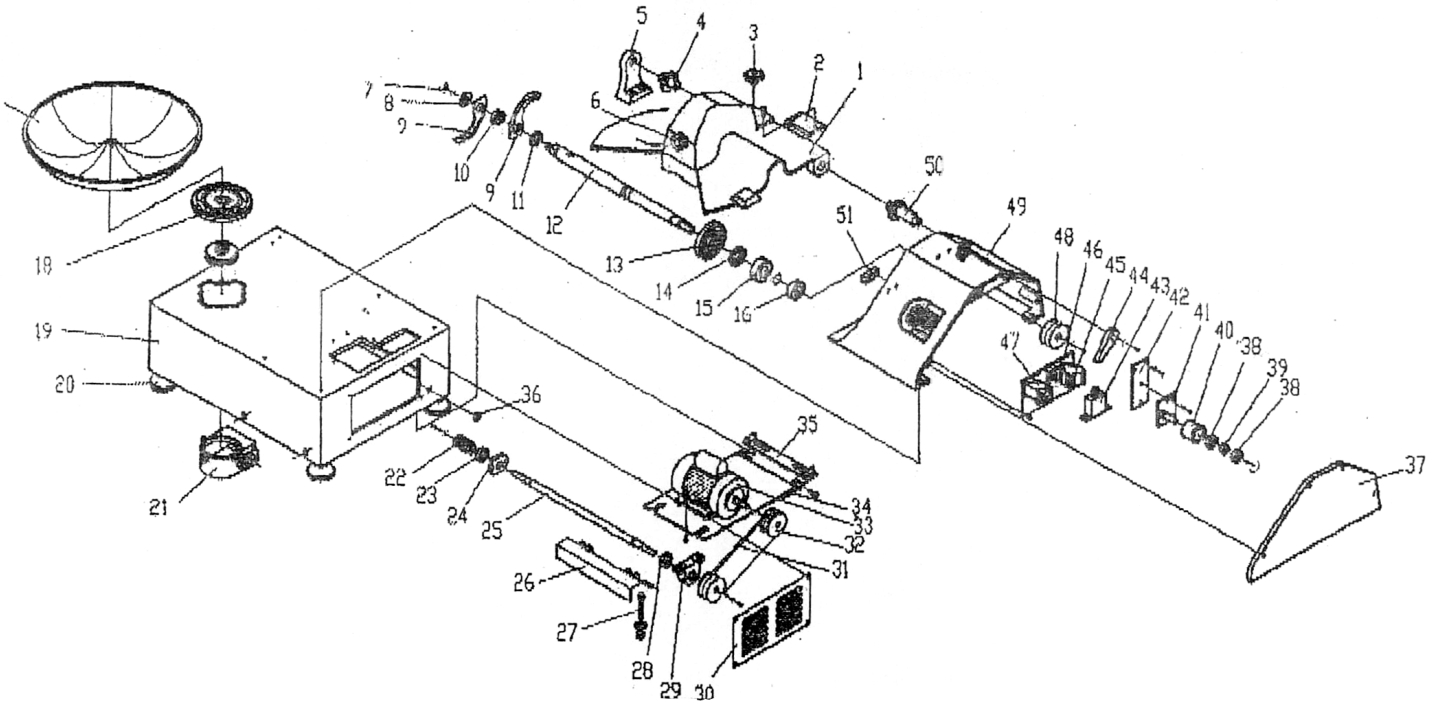
the knife head assemblage on the floor or on your feet.

- Do not wash the knives in water hotter than 60°C or colder than 10°C. Do not wash the knives immediately after using the machine since an abrupt change in temperature could cause internal micro fissures or deformations.
- It is extremely important to keep the surfaces holding the knives and separation rings clean to avoid build-up of mixture residues. Such a build-up could create areas which bear more pressure than others, possibly causing micro fissures that could damage or break the knife.
- To clean the machine manually, always use appropriate safety equipment (latex gloves, plastic aprons).
- Always rinse the machine thoroughly after using any kind of detergent or disinfectant and be sure to follow the manufacturers' instructions when using cleaning products.

# Parts Breakdown

**Model FP-CN-0008** 16998

**Model FP-CN-0008-B** 16999







# Parts Breakdown

## Model FP-CN-0008 16998

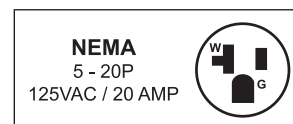
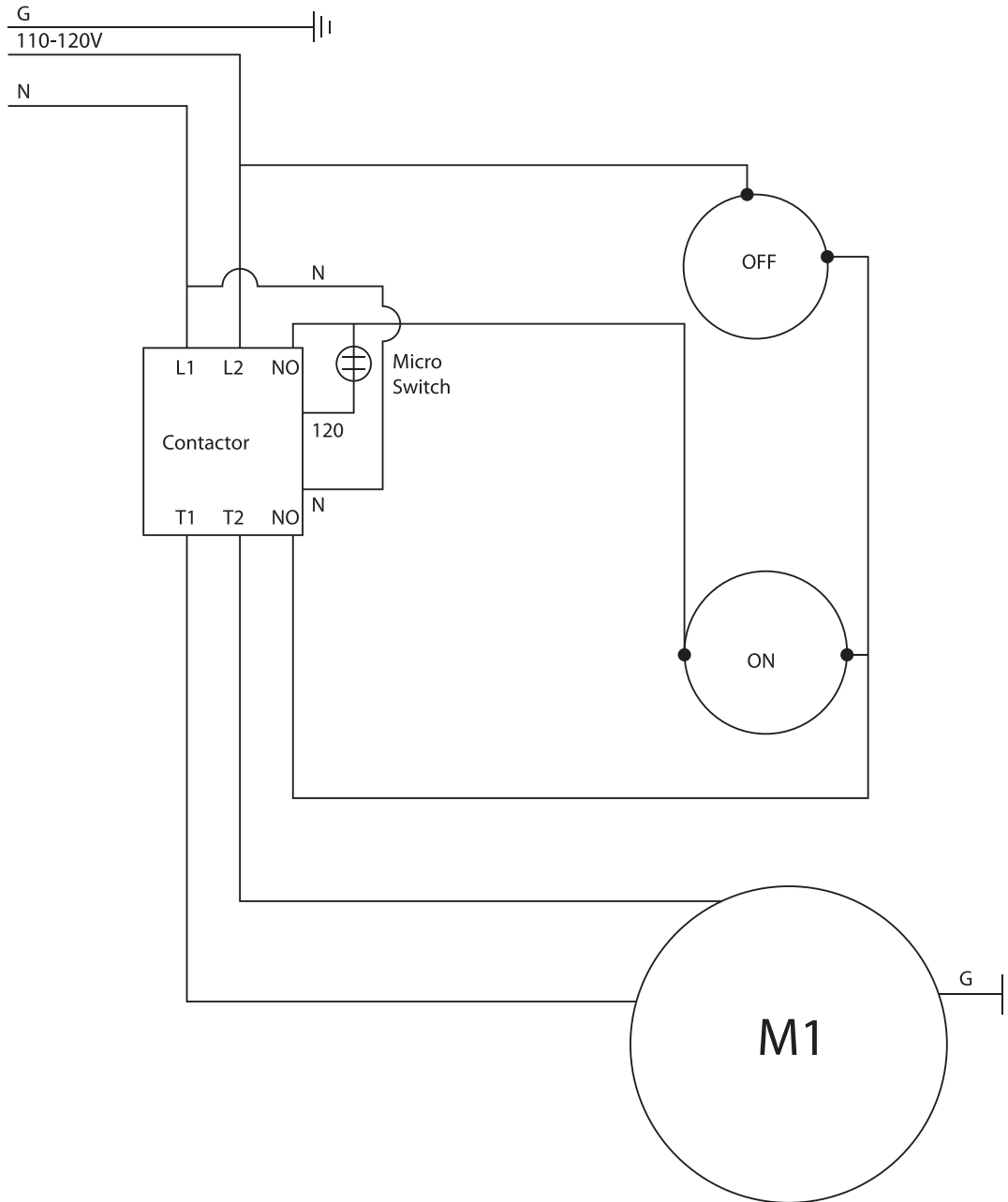
Item No.	Description	Position	Item No.	Description	Position	Item No.	Description	Position
43031	Food Cover for 16998	1, 49	AE560	Bowl Support for 16998	18	AE565	Lock for 16998	36
AE546	Pressure Board for 16998	2	AE561	Body for 16998	19	AE566	Back Panel for 16998	37
AE547	Handle I for 16998	3	76858	Foot for 16998	20	AE567	Bearing 6206 for 16998	38
AE548	Cover Shaft II for 16998	4	AE562	Worm-Wheel Cover for 16998	21	AE568	Sleeve for 16998	39
AE549	Cover Support for 16998	5	76895	Worm-Wheel Cover for 16998	22	AE569	Tension Pulley for 16998	40
AE550	Handle II for 16998	6	76892	Bearing 202 for 16998	23	78639	Tension Seat for 16998	41
AE551	Left Screw M16x1.5 for 16998	7	76893	Bearing Cover for 16998	24	78640	Tension Pulley Support for 16998	42
AE552	Cutter Washer for 16998	8	AE563	Worm Drive Shaft for 16998	25	AE570	Safety Switch for 16998	43
AE553	Cutter for 16998	9	76871	Installing Support II for 16998	26	AE571	Safety Switch Panel for 16998	44
AE554	Cutter Insulated Ring for 16998	10	76872	Hinge for 16998	27	AE572	Contact for 16998	45
AE555	Washer for 16998	11	76890	Bearing Seat for 16998	29	AE573	Protection Fixed Plate for 16998	46
76865	Blade Shaft for 16998	12	AE564	Body Cover for 16998	30	AE574	Heat Relay for 16998	47
76863	Bearing Cover for 16998	13	76889	VA Belt L 750 for 16998	31	AE575	Belt Pulley for 16998	48
AE556	Oil Seal B32x52x8 for 16998	14	76884	Belt Pulley for 16998	32	AE576	Cover Shaft I for 16998	50
AE557	Bearing 6206 for 16998	15	76877	Motor for 16998	33	AE577	Cover Fixed Panel for 16998	51
AE558	Bearing 6205 for 16998	16, 28	76878	Installing Panel for 16998	34			
AE559	Bowl for 16998	17	76876	Installing Support I for 16998	35			

## Model FP-CN-0008-B 16999

Item No.	Description	Position	Item No.	Description	Position	Item No.	Description	Position
43031	Food Cover for 16999	1, 49	AE560	Bowl Support for 16999	18	AE565	Lock for 16999	36
AE546	Pressure Board for 16999	2	AE561	Body for 16999	19	AE566	Back Panel for 16999	37
AE547	Handle I for 16999	3	76858	Foot for 16999	20	AE567	Bearing 6206 for 16999	38
AE548	Cover Shaft II for 16999	4	AE562	Worm-Wheel Cover for 16999	21	AE568	Sleeve for 16999	39
AE549	Cover Support for 16999	5	76895	Worm-Wheel Cover for 16999	22	AE569	Tension Pulley for 16999	40
AE550	Handle II for 16999	6	76892	Bearing 202 for 16999	23	78639	Tension Seat for 16999	41
AE551	Left Screw M16x1.5 for 16999	7	76893	Bearing Cover for 16999	24	78640	Tension Pulley Support for 16999	42
AE552	Cutter Washer for 16999	8	AE563	Worm Drive Shaft for 16999	25	AE570	Safety Switch for 16999	43
AE553	Cutter for 16999	9	76871	Installing Support II for 16999	26	AE571	Safety Switch Panel for 16999	44
AE554	Cutter Insulated Ring for 16999	10	76872	Hinge for 16999	27	AE572	Contact for 16999	45
AE555	Washer for 16999	11	76890	Bearing Seat for 16999	29	AE573	Protection Fixed Plate for 16999	46
76865	Blade Shaft for 16999	12	AE564	Body Cover for 16999	30	AE574	Heat Relay for 16999	47
76863	Bearing Cover for 16999	13	76889	VA Belt L 750 for 16999	31	AE575	Belt Pulley for 16999	48
AE556	Oil Seal B32x52x8 for 16999	14	76884	Belt Pulley for 16999	32	AE576	Cover Shaft I for 16999	50
AE557	Bearing 6206 for 16999	15	64198	Motor for 16999	33	AE577	Cover Fixed Panel for 16999	51
AE558	Bearing 6205 for 16999	16, 28	76878	Installing Panel for 16999	34			
AE559	Bowl for 16999	17	76876	Installing Support I for 16999	35			

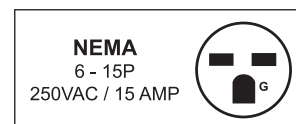
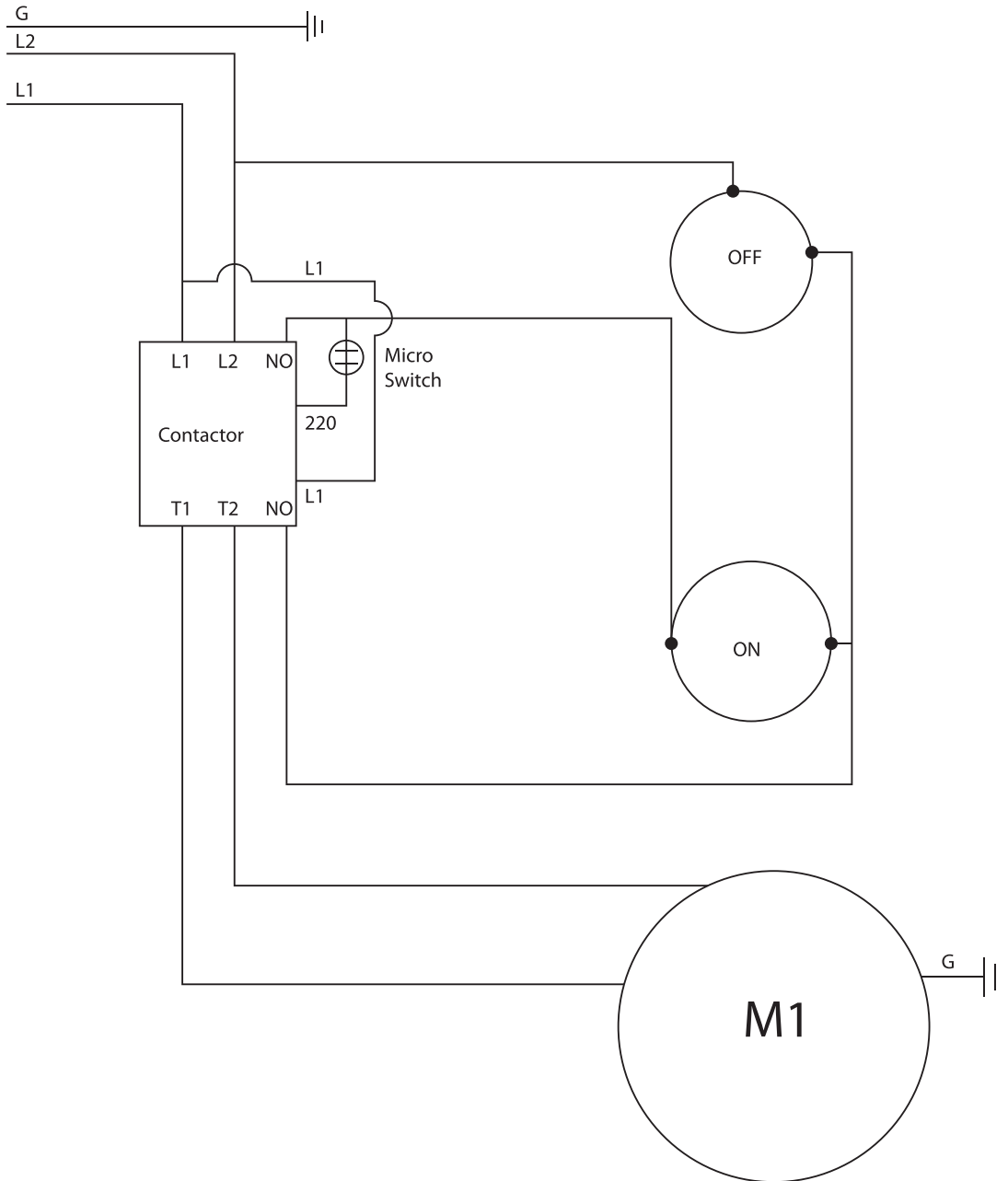
# Electrical Schematics

Model FP-CN-0008 16998



# Electrical Schematics

Model FP-CN-0008-B 16999











# Warranty Registration

Thank you for purchasing an Omcan product. To register your warranty for this product, complete the information below, tear off the card at the perforation and then send to the address specified below. You can also register online by visiting:

Merci d'avoir acheté un produit Omcan. Pour enregistrer votre garantie pour ce produit, complétez les informations ci-dessous, détachez la carte au niveau de la perforation, puis l'envoyer à l'adresse spécifiée ci-dessous. Vous pouvez également vous inscrire en ligne en visitant:

Gracias por comprar un producto Omcan usted. Para registrar su garantía para este producto, complete la información a continuación, cortar la tarjeta en la perforación y luego enviarlo a la dirección indicada a continuación. También puede registrarse en línea en:

<https://omcan.com/warranty-registration/>

For mailing in Canada

Pour postale au Canada

Por correo en Canadá

**OMCAN**

PRODUCT WARRANTY REGISTRATION

3115 Pepper Mill Court,  
Mississauga, Ontario  
Canada, L5L 4X5

For mailing in the US

Pour diffusion aux États-Unis

Por correo en los EE.UU.

**OMCAN**

PRODUCT WARRANTY REGISTRATION

4450 Witmer Industrial Estates, Unit 4,  
Niagara Falls, New York  
USA, 14305

*or email to: [service@omcan.com](mailto:service@omcan.com)*



Purchaser's Information

Name: \_\_\_\_\_

Address: \_\_\_\_\_

City: \_\_\_\_\_ Province or State: \_\_\_\_\_ Postal or Zip: \_\_\_\_\_

Country: \_\_\_\_\_

Dealer from which Purchased: \_\_\_\_\_

Dealer City: \_\_\_\_\_ Dealer Province or State: \_\_\_\_\_

Invoice: \_\_\_\_\_

Model Name: \_\_\_\_\_ Model Number: \_\_\_\_\_

Machine Description: \_\_\_\_\_

Date of Purchase (MM/DD/YYYY): \_\_\_\_\_

Would you like to extend the warranty?  Yes  No

Company Name: \_\_\_\_\_

Telephone: \_\_\_\_\_

Email Address: \_\_\_\_\_

Type of Company:

Restaurant  Bakery  Deli

Butcher  Supermarket  Caterer

Institution (specify): \_\_\_\_\_

Other (specify): \_\_\_\_\_

Serial Number: \_\_\_\_\_

Date of Installation (MM/DD/YYYY): \_\_\_\_\_

**Thank you for choosing Omcan | Merci d'avoir choisi Omcan | Gracias por elegir Omcan**



Since 1951 Omcan has grown to become a leading distributor of equipment and supplies to the North American food service industry. Our success over these many years can be attributed to our commitment to strengthen and develop new and existing relationships with our valued customers and manufacturers. Today with partners in North America, Europe, Asia and South America, we continually work to improve and grow the company. We strive to offer customers exceptional value through our qualified local sales and service representatives who provide convenient access to over 6,500 globally sourced products.

---

Depuis 1951 Omcan a grandi pour devenir un des “leaders” de la distribution des équipements et matériel pour l’industrie des services alimentaires en Amérique du Nord. Notre succès au cours de ces nombreuses années peut être attribué à notre engagement à renforcer et à développer de nouvelles et existantes relations avec nos clients et les fabricants de valeur. Aujourd’hui avec des partenaires en Amérique du Nord, Europe, Asie et Amérique du Sud, nous travaillons continuellement à améliorer et développer l’entreprise. Nous nous efforçons d’offrir à nos clients une valeur exceptionnelle grâce à nos ventes locales qualifiées et des représentants de service qui offrent un accès facile à plus de 6500 produits provenant du monde entier.

---

Desde 1951 Omcan ha crecido hasta convertirse en un líder en la distribución de equipos y suministros de alimentos en América del Norte industria de servicios. Nuestro éxito en estos años se puede atribuir a nuestro compromiso de fortalecer y desarrollar nuevas relaciones existentes con nuestros valiosos clientes y fabricantes. Hoy con socios de América del Norte, Europa, Asia y América del Sur, que trabajan continuamente para mejorar y crecer la empresa. Nos esforzamos por ofrecer a nuestros clientes valor excepcional a través de nuestro local de ventas y representantes de los servicios que proporcionan un fácil acceso a más de 6,500 productos con origen a nivel mundial.

