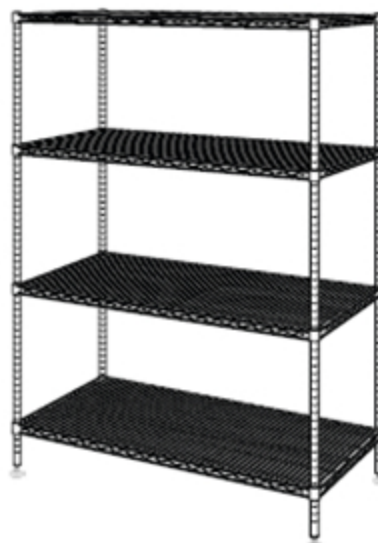


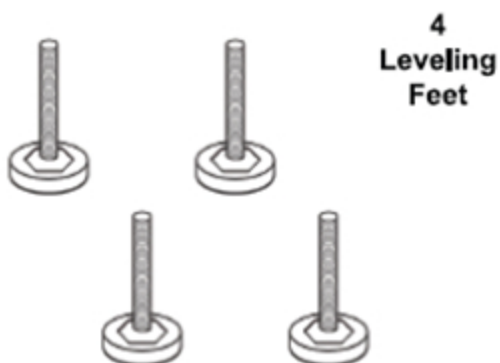
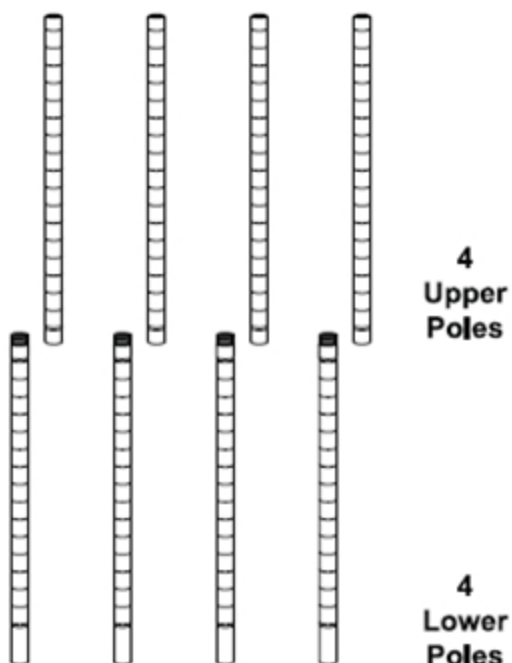


Heavy Duty Commercial Wire Shelving

ASSEMBLY INSTRUCTIONS



PARTS LIST



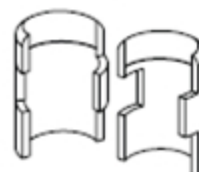
4 Pole Caps



4 Pole Connectors



16 Sets of
Shelf Clips

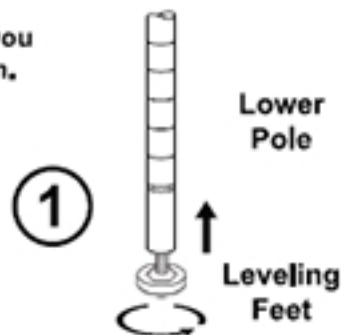


ASSEMBLY STEPS

To facilitate assembly, it is highly recommended to have someone to assist you when assembling. Please keep all hardware and parts out of reach of children.

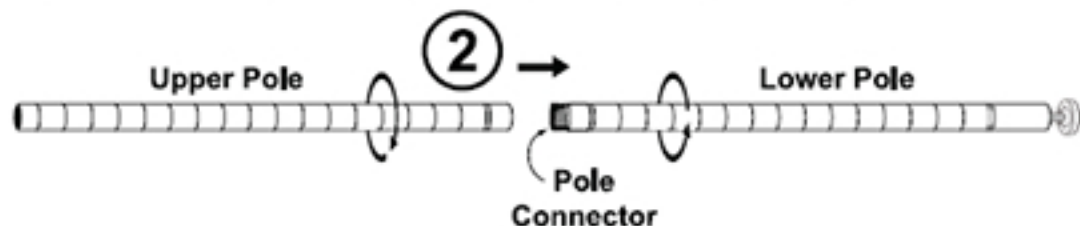
STEP 1: ATTACH LEVELING FEET TO LOWER POLES

Screw in the feet into the bottom end of lower poles as shown.



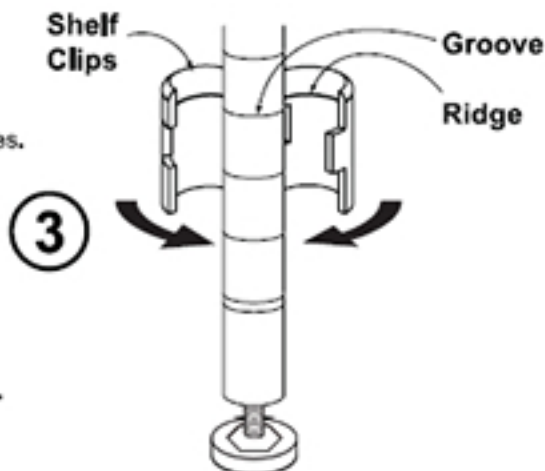
STEP 2: CONNECT LOWER POLES AND UPPER POLES

Align and join each lower pole to its upper pole by twisting them tightly onto the pole connector.



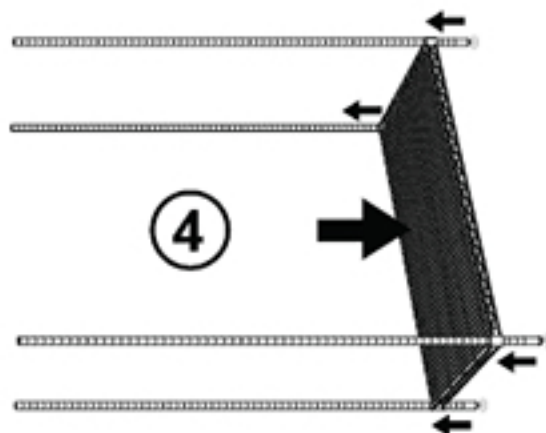
STEP 3: ATTACH SHELF CLIPS TO POLES FOR BOTTOM SHELF

Snap two half clips firmly at the desired location at the bottom of the poles. Make sure that they point upward as marked, and that the ridge inside of the clip is aligned with the groove lines on the pole.



STEP 4: INSTALL BOTTOM SHELF

With a shelf laid on its side, slide each pole through the corner cylinders. Push each pole until it is snugly seated on the plastic clips.



STEP 5: INSTALL ALL SHELVES

Place the unit upright and continue with the rest of shelf installation. Snap shelf clips onto the poles at desired heights. Slide shelves downward firmly over the clips. Adjust leveling feet to stabilize the unit. Check all joints to complete the assembly.

