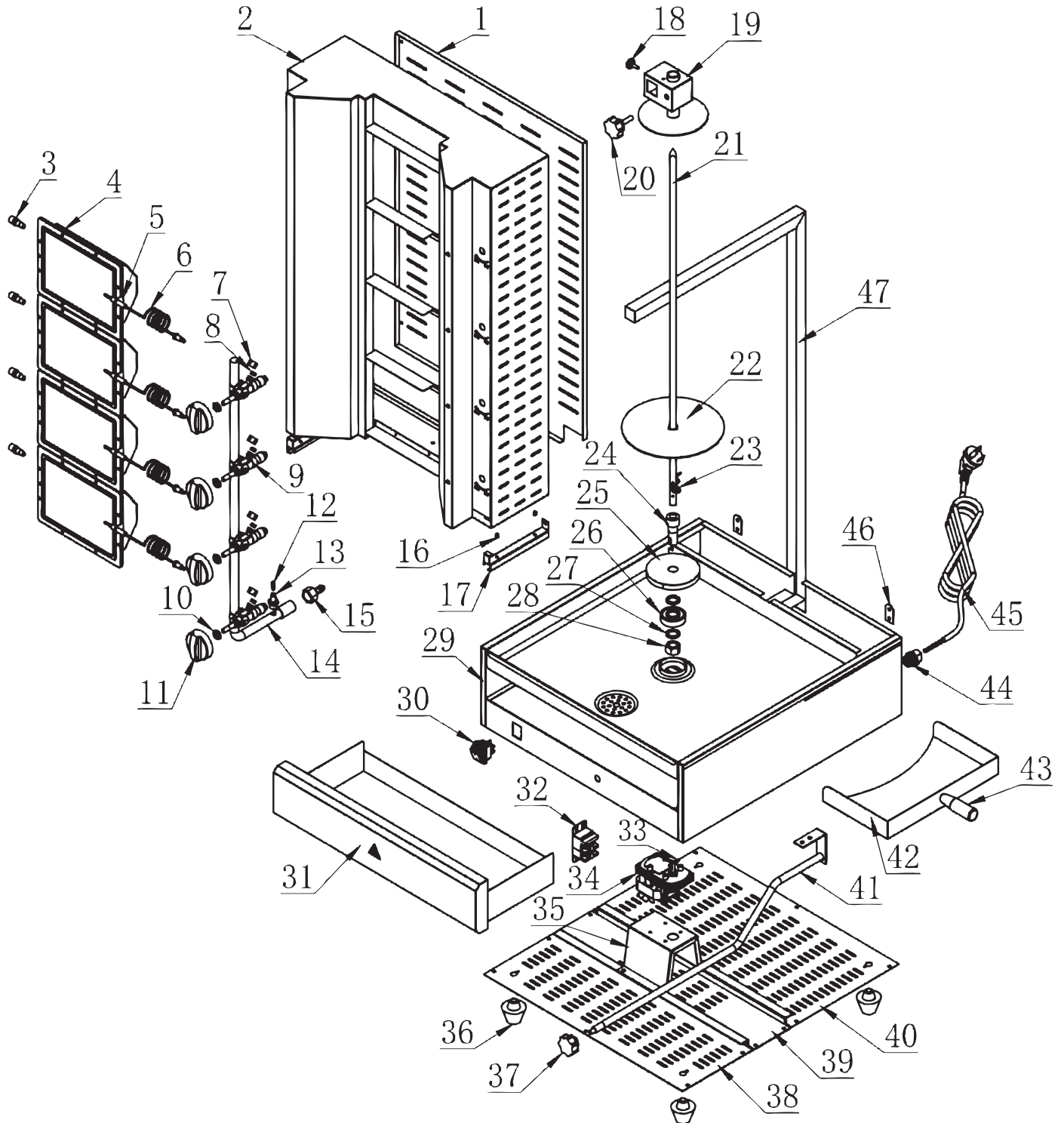


Parts Breakdown

Model CE-CN-KB-4 47497



Parts Breakdown

Model CE-CN-KB-4 47497

Item No.	Description	Position	Item No.	Description	Position	Item No.	Description	Position
AL119	Nozzle LPG Set of 3 Orifices for 47497	3	AJ538	Knob of Principal Axis for 47497	20	AL144	Terminal for 47497	32
AL120	Burner with NG Nozzle for 47497	4	AJ537	Spit/Principle Axis L=795mm (31") for 47497	21	AL146	Motor for 47497	34
AL122	Thermal Couple for 47497	6	AL136	Grease Protecting Plate for 47497	22	AJ529	Foot for 47497	36
AL123	Locking Nut 8 for 47497	7	AJ535	Backing Pin for 47497	23	AJ533	Knob of Pull Rod for 47497	37
AL124	Compression Ring for 47497	8	AL137	Spit Base for 47497	24	AL151	Sliding Shaft for 47497	41
AL125	Gas Valve for 47497	9	AL138	Bearing Cover for 47497	25	AL152	Meat Shovel for 47497	42 - 43
AL127	Knob for 47497	11	AL139	Bearing for 47497	26	AJ591	Power Cord Sheath for 47497	44
AL132	Sliding Column for 47497	16	AL140	Flat Washer for 47497	27	AL153	Power Cord for 47497	45
AL134	Locking Nut for 47497	18	AD712	Power Switch for 47497	30			
AL135	Top Case of Spit for 47497	19	AL143	Grease Collector for 47497	31			