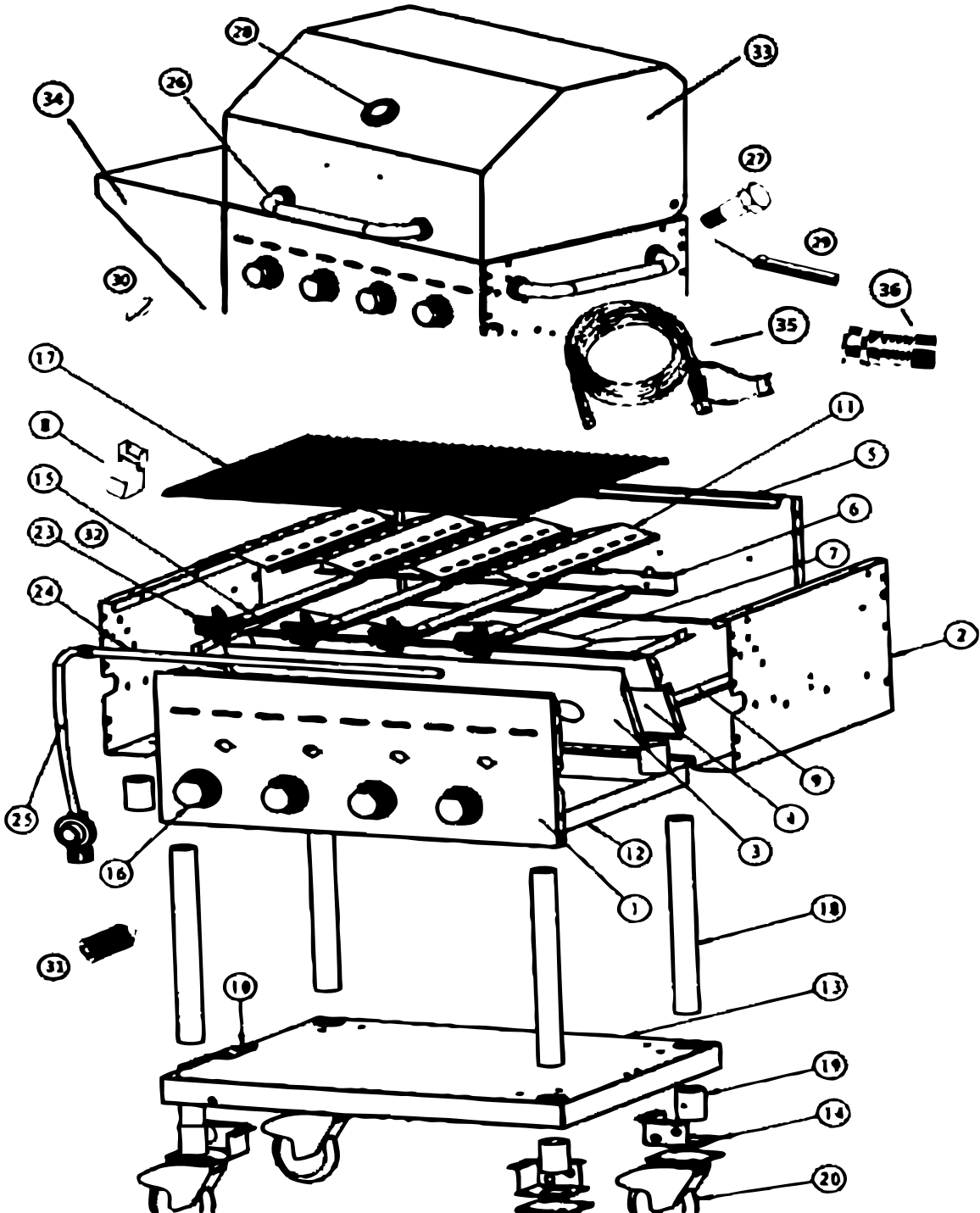


# Parts Breakdown

Model CE-CN-0036-S LP 47840





# Parts Breakdown

## Model CE-CN-0036-S LP 47840

Item No.	Description	Position	Item No.	Description	Position	Item No.	Description	Position
AN686	Front Panel 36" for 47840	1	AN697	Tray 36" for 47840	12	AN681	Gas Pipe Right Inlet 36" for 47840	24
AN687	Left and Right Side Plate for 47840	2	AN698	Shelf 36" for 47840	13	AI615	Connector Hose and LP Regulator for 47840	25
AN688	Front Interior Plate 36" for 47840	3	AN699	Caster Bracket for 47840	14	AI616	Handle for 47840	26
AN689	Front Fender Plate 36" for 47840	4	AI606	Burner for 47840	15	AI617	Step Bolt for 47840	27
AN690	Back Plate 36" for 47840	5	AI607	Knob for 47840	16	AI618	Thermometer for 47840	28
AN691	Burner Support Bracket 36" for 47840	6	AN679	Rack 16 3/8" for 47840	17	AI619	Cotter Pin for 47840	29
AN692	Bottom Interior Plate 36" for 47840	7	AI609	Tube for 47840	18	AI620	Rubber Pad for 47840	30
AN693	Cylinder Hanger for 47840	8	AI610	Sleeve for 47840	19	AI621	Lock Screw for 47840	31
AN694	Side Bracket for 47840	9	AI611	4" Caster for 47840	20	AI622	Orifice 56 for LP for 47840	32
AN695	Cylinder Support Bracket for 47840	10	AI612	Gas Valve for 47840	23	AN682	Roll Dome 36" for 47840	33
AN696	Radiator Plate for 47840	11	AN680	Gas Pipe Left Inlet 36" for 47840	24	AI624	Side Shelf for 47840	34