



Spiral Dough Mixers

*Models MX-IT-0010/T/D, 0020/T, 0030/T, 0040/T, 0050, 0060
Items 13160, 13162, 18637, 13163, 13166, 13167, 13170,
13171, 13172, 13173, 13174*
Instruction Manual



Revised - 04/10/2023



Toll Free: 1-800-465-0234
Fax: 905-607-0234
Email: service@omcan.com
www.omcan.com



Table of Contents

Model MX-IT-0010 / Model MX-IT-0010-T / Model MX-IT-0010-D
Model MX-IT-0020 / Model MX-IT-0020-T / Model MX-IT-0030
Model MX-IT-0030-T / Model MX-IT-0040 / Model MX-IT-0040-T
Model MX-IT-0050 / Model MX-IT-0060

| Section | Page |
|--------------------------------|-------------|
| General Information ----- | 3 - 4 |
| Safety and Warranty ----- | 4 - 6 |
| Technical Specifications ----- | 6 |
| Installation ----- | 7 |
| Operation ----- | 8 |
| Maintenance ----- | 9 - 10 |
| Troubleshooting ----- | 10 |
| Instructions Français ----- | 10 - 16 |
| Instrucciones en Español ----- | 16 - 22 |
| Parts Breakdown ----- | 23 - 37 |
| Electrical Schematics ----- | 38 - 39 |
| Notes ----- | 40 - 42 |
| Warranty Registration ----- | 43 |



General Information

Omcan Manufacturing and Distributing Company Inc., Food Machinery of America, Inc. dba Omcan and Omcan Inc. are not responsible for any harm or injury caused due to any person's improper or negligent use of this equipment. The product shall only be operated by someone over the age of 18, of sound mind, and not under the influence of any drugs or alcohol, who has been trained in the correct operation of this machine, and is wearing authorized, proper safety clothing. Any modification to the machine voids any warranty, and may cause harm to individuals using the machine or in the vicinity of the machine while in operation.

CHECK PACKAGE UPON ARRIVAL

Upon receipt of an Omcan shipment please inspect for external damage. If no damage is evident on the external packaging, open carton to ensure all ordered items are within the box, and there is no concealed damage to the machine. If the package has suffered rough handling, bumps or damage (visible or concealed), please note it on the bill of lading before accepting the delivery and contact Omcan within 24 hours, so we may initiate a claim with the carrier. A detailed report on the extent of the damage caused to the machine must be filled out within three days, from the delivery date shown in the shipping documents. Omcan has no recourse for damaged products that were shipped collect or third party.

Before operating any equipment, always read and familiarize yourself with all operation and safety instructions.

Omcan would like to thank you for purchasing this machine. It's of the utmost importance to save these instructions for future reference. Also save the original box and packaging for shipping the equipment if servicing or returning of the machine is required.

Omcan Fabrication et distribution Compañie Limité et Food Machinery d'Amérique, dba Omcan et Omcan Inc. ne sont pas responsables de tout dommage ou blessure causé du fait que toute personne ait utilisé cet équipement de façon irrégulière. Le produit ne doit être exploité que par quelqu'un de plus de 18 ans, saine d'esprit, et pas sous l'influence d'une drogue ou d'alcool, qui a été formé pour utiliser cette machine correctement, et est vêtu de vêtements de sécurité approprié. Toute modification de la machine annule toute garantie, et peut causer un préjudice à des personnes utilisant la machine ou des personnes à proximité de la machine pendant son fonctionnement.

VÉRIFIEZ LE COLIS DÈS RÉCEPTION

Dès réception d'une expédition d'Omcan veuillez inspecter pour dommages externes. Si aucun dommage n'est visible sur l'emballage externe, ouvrez le carton afin de s'assurer que tous les éléments commandés sont dans la boîte, et il n'y a aucun dommage dissimulé à la machine. Si le colis n'a subi aucune mauvaises manipulations, de bosses ou de dommages (visible ou cachée), notez-le sur le bond de livraison avant d'accepter la livraison et contactez Omcan dans les 24 heures qui suivent, pour que nous puissions engager une réclamation auprès du transporteur. Un rapport détaillé sur l'étendue des dommages causés à la machine doit être rempli dans un délai de trois jours, à compter de la date de livraison indiquée dans les documents d'expédition. Omcan n'a aucun droit de recours pour les produits endommagés qui ont été expédiés ou cueilli par un tiers transporteur.

General Information

Avant d'utiliser n'importe quel équipement, toujours lire et vous familiariser avec toutes les opérations et les consignes de sécurité.

Omcan voudrais vous remercier d'avoir choisi cette machine. Il est primordial de conserver ces instructions pour une référence ultérieure. Également conservez la boîte originale et l'emballage pour l'expédition de l'équipement si l'entretien ou le retour de la machine est nécessaire.

Omcan Empresa De Fabricacion Y Distribucion Inc. Y Maquinaria De Alimentos De America, Inc. dba Omcan y Omcan Inc. no son responsables de ningun daño o perjuicio causado por cualquier persona inadecuada o el uso descuidado de este equipo. El producto solo podra ser operado por una persona mayor de 18 años, en su sano juicio y no bajo alguna influencia de droga o alcohol, y que este ha sido entrenado en el correcto funcionamiento de esta máquina, y ésta usando ropa apropiada y autorizada. Cualquier modificación a la máquina anula la garantía y puede causar daños a las personas usando la máquina mientras esta en el funcionamiento.

REVISE EL PAQUETE A SU LLEGADA

Tras la recepcion de un envio Omcan favor inspeccionar daños externos. Si no hay daños evidentes en el empaque exterior, Habra el carton para asegurarse que todos los articulos solicitados estén dentro de la caja y no encuentre daños ocultos en la máquina. Si el paquete ha sufrido un manejo de poco cuidado, golpes o daños (visible o oculto) por favor anote en la factura antes de aceptar la entrega y contacte Omcan dentro de las 24 horas, de modo que podamos iniciar una reclamación con la compañía. Un informe detallado sobre los daños causados a la máquina debe ser llenado en el plazo de tres días, desde la fecha de entrega que se muestra en los documentos de envío. Omcan no tiene ningun recurso por productos dañados que se enviaron a recoger por terceros.

Antes de utilizar cualquier equipo, siempre lea y familiarizarse con todas las instrucciones de funcionamiento y seguridad.

Omcan le gustaría darle las gracias por la compra de esta máquina. Es de la mayor importancia para salvar estas instrucciones para futuras consultas. Además, guarda la caja original y el embalaje para el envío del equipo si servicio técnico o devolución de la máquina que se requiere.

Safety and Warranty

WEAR ADEQUATE CLOTHING

Be sure to wear tight-fitting clothing without any loose parts. Never wear open or unfastened jackets, shirts or overalls.



Safety and Warranty

IMPORTANT

To prevent accidents and ensure best performance the machine must not be modified or altered unless authorised by Omcan. Nor must it be used in conditions or for purposes other than those for which it has been expressly designed. Any arbitrary modification implemented in this machine will automatically exempt Omcan from any liabilities for ensuing damage or injury and warranty claims.

For your own personal safety, before connecting the machine to the electrical main:

- Check that power mains leading to distribution socket is fitted with an appropriate multipolar switch protected against overloads and short circuits.
- Carry out all phase connections, as well as any neutral and ground connections (compulsory) with a standard plug compatible with the above mentioned socket. The protection lead (ground) is the one with the yellow/green insulating sheath; make sure that the power supply cable is appropriate to its use, according to length, mains voltage and machine consumption.
- Unless adequate protections against electrical shock are fitted, do not operate the machine in damp or wet environments.

Do not start up the machine without the protective panelling. This may jeopardise personnel safety and machine serviceability.

THESE UNITS ARE NOT TO BE USED FOR MIXING “POOLISH” OR ANY EXCESSIVELY WET DOUGH.

RESIDENTIAL USERS: Vendor assumes no liability for parts or labor coverage for component failure or other damages resulting from installation in non-commercial or residential applications. The right is reserved to deny shipment for residential usage; if this occurs, you will be notified as soon as possible.

MX-IT-0010 SERIES 1 YEAR PARTS AND LABOUR BENCH WARRANTY

Within the warranty period, contact Omcan Inc. at 1-800-465-0234 to schedule a drop off to either an Omcan authorized service depot in the area, or to an Omcan Service warehouse to repair the equipment.

Unauthorized maintenance will void the warranty. Warranty covers electrical and part failures, not improper use.

Please see <https://omcan.com/disclaimer> for complete info.

MX-IT-0020 - MX-IT-0060 1 YEAR PARTS AND LABOUR WARRANTY

Within the warranty period, contact Omcan Inc. at 1-800-465-0234 to schedule an Omcan authorized service technician to repair the equipment locally.

Unauthorized maintenance will void the warranty. Warranty covers electrical and part failures, not improper use.

Safety and Warranty

Please see <https://omcan.com/disclaimer> for complete info.

WARNING:

The packaging components (cardboard, polyethylene, and others) are classified as normal solid urban waste and can therefore be disposed of without difficulty.

In any case, for suitable recycling, we suggest disposing of the products separately (differentiated waste) according to the current norms.

DO NOT DISCARD ANY PACKAGING MATERIALS IN THE ENVIRONMENT!

Technical Specifications

| Model | Dimensions | Electrical | Motor Power | Kneading Capacity | Capacity | Item Number |
|---------------------|--|------------|--|----------------------|-----------------|-------------|
| MX-IT-0010 | 520 x 280 x 580mm 20.5" x 11" x 22.8" | 220V/60/1 | 0.7 HP - 1 Speed 0.55 kw - 1 Speed | 10 kg. 22 lbs. | 12.7 QT 12 L | 13160 |
| MX-IT-0010-T | | 200V/60/3 | 0.6/0.4 HP - 2 Speed | | | 13162 |
| MX-IT-0010-D | | 208V/60/3 | 0.45/0.3 kw - 2 Speed | | | 18637 |
| MX-IT-0020 | 690 x 390 x 670mm 27.2" x 15.4" x 26.4" | 220V/60/1 | 1 HP - 1 Speed 0.75 kw - 1 Speed | 20 kg. 44 lbs. | 26.4 QT 25 L | 13163 |
| MX-IT-0020-T | | 208V/60/3 | 1.5/1 HP - 2 Speed 1.1/0.75 kw - 2 Speed | | | 13166 |
| MX-IT-0030 | 760 x 420 x 910mm 29.9" x 16.5" x 35.8" | 220V/60/1 | 1.5 HP - 1 Speed 1.1 kw - 1 Speed | 30 kg. 66.1 lbs. | 40.2 QT 38 L | 13167 |
| MX-IT-0030-T | | 208V/60/3 | 1.9/1.5 HP - 2 Speed 1.4/1.1 kw - 2 Speed | | | 13170 |
| MX-IT-0040 | 810 x 480 x 950mm 31.9" x 18.9" x 37.4" | 220V/60/1 | 1.5 HP - 1 Speed 1.1 kw - 1 Speed | 40 kg. 88.2 lbs. | 51.8 QT 49 L | 13171 |
| MX-IT-0040-T | | 208V/60/3 | 1.9/1.5 HP - 2 Speed 1.4/1.1 kw - 2 Speed | | | 13172 |
| MX-IT-0050 | 940 x 530 x 1030mm 37" x 20.9" x 40.6" | 208V/60/3 | 4/2 HP - 2 Speed 3/1.5 kw - 2 Speed | 50 kg. 110.2 lbs. | 66.6 QT 63 L | 13173 |
| MX-IT-0060 | 990 x 580 x 1070mm 39" x 22.8" x 42.1" | | | 60 kg. 132.3 lbs. | 89.8 QT 85 L | 13174 |

Installation

Install and use the machine in a room that can be efficiently ventilated, and where the floor is level, compact and easy to clean.

If floor is uneven, to prevent instability and machine movements, shim feet with strips of hard rubber. Position the machine as preferred, leaving a free space of approx. 50 cm/20" around all sides. This will enable unhindered access for actual operation, as well as for cleaning and maintenance. For machines equipped with wheels, ensure to apply brakes by pressing the lever down. Also ensure that machine voltage is the same as that distributed by power mains (see rating plate on machine rear cover).

For connection to electrical system, fit a suitable plug to the machine power supply cable.

Warning: have the plug fitted to the power supply by qualified electrician. Take the necessary precautions to prevent the cable from being crimped or damaged.

After mating the plug to the mains socket, the machine is ready for use. First, however, check proper operation of all moving parts and components of the machine. Thus, check:

- Rotation direction of bowl (compare with arrow on bowl) and spiral.
- Safety device serviceability: device is serviceable when machine stops the moment the guard is lifted by 10-15 mm/0.4"-0.6".
- Operation of push buttons and pilot lamp.

Important: If the machine or some of its parts fail, call your Omcan for repairs.

Note: for machines with three-phase power supply: in case of counter rotation, invert two phases of the power supply plug. Check bowl rotation each time you replace the power supply plug or change power mains socket.

TRANSPORT AND HANDLING

The machine, pallet-mounted at origin, is shipped enclosed in an appropriate packing and strapped to the wooden pallet itself. When unloading the machine from the transport vehicle, lift from the points marked on the packing using suitable equipment. Unless you need to check its contents, you are recommended not to open the packing until the moment of installation. To transport the machine to the installation site, use a trolley of adequate carrying capacity. Remove straps, packing and polystyrene strips. Dispose of this material according to the regulations in force. Lift the machine and place on the installation site. Remove the supporting pallet using straps of suitable carrying capacity (approx. 6 times the weight of the machine). These will have to be slipped under the spiral holder head. The whole operation is to be controlled by adequate manual or power-driven lifting equipment.

Operation

PREPARING THE MACHINE

Prepare the machine before every process cycle. BE SURE that the machine, especially parts which come in contact with food products (spiral, bowl and column) are clean and sanitized; where necessary clean with hot water and spirit. **Clean with machine off.**

OPERATING THE MACHINE

After having ensured perfect cleanliness of the machine, proceed with dough-making operations as required.

LOADING AND STARTING

Press the stop push button to make sure the machine is off. Raise the bowl guard until it stops against the rubber rest. Load the machine with ingredients of the type and quantity required. Lower the bowl guard on its rest. Press the start push button.

CAUTION: the machine will run only if the safety microswitch is serviceable and in position.

MACHINES EQUIPPED WITH TIMER

For machines equipped with control timer, before pressing the start push button, set the required time. When set time runs out the machine stops automatically. In the event that you need to use manual controls, eliminate timer operation by setting to "SER.CONT" or "POS.MAN."

TWO-SPEED MACHINES

To start the machine set the commutator to the required speed. Depress the start push button. If you want to change speed with the machine in operation, first set the selector to "0" then set the new speed. Subsequently press the start push button.

Caution: if the selector remains in position "0" it is impossible to start the machine.

UNLOADING THE MACHINE

At the end of the time period set for the process, press the stop push button.

Note: machines equipped with timer will stop automatically.

Raise the bowl guard, remove the dough, and thoroughly clean all parts affected by the process immediately. At the end of the cleaning, close the guard.

VARYING INITIAL MIXTURE DOSES

If you need to vary the initial mixture by adding or changing the amount of the ingredients, use the food slots in the guard without stopping the machine or raising the guard.

Maintenance

ALWAYS UNPLUG THE MACHINE FROM THE ELECTRICAL SOCKET BEFORE PERFORMING ANY MAINTENANCE OR CLEANING!

CLEANING

Warning: For healthy and hygienic processing of nutritional products, be sure to keep your machine and the surrounding environment clean. Always disconnect the power supply before cleaning.

After use, especially since processed material is still soft, always thoroughly clean guard, bowl, spiral and column. Inspect and if necessary, clean the process tools again before a fresh kneading operation. Use hot water to remove and rinse off any residual dough. Dry with nutritional absorbent paper and disinfect with a soft cloth dabbed in alcohol, or food grade disinfectant.

Warning: never use non-food grade, abrasive or corrosive chemicals to clean. Also never use coarse or abrasive objects such as steel wool, abrasive sponges and so on.

To clean machine internal and external parts:

- Remove power supply plug from power mains socket.
- Clean coated surfaces with soft cloth and disinfect with alcohol.
- To clean internal parts of machine, first dismantle the rear panel; remove any grease and powder from the food products processed; then reassemble the panels.

MAINTENANCE AND ADJUSTMENT

Warning: Remember that all maintenance operations are hazardous if you do not first disconnect the plug from power mains.

To maintain machine safety, serviceability and stated performance, service the following parts:

- Belt tension: once yearly, or in case of irregular machine operation (r.p.m. loss), check belt drive tension. To do this, disassemble machine rear panel; be sure that the belt is tight enough and, if necessary, turn screw marked by the appropriate symbol, without exaggerating when tightening the belt. Reassemble the rear panel.

Never use the machine with any missing, disassembled or open guards and shields.

If servicing operations require repairs to electrical system and/or replacement of bearings or mechanical components, call Omcan.

Models MX-IT-0010 - MX-IT-0060

Chain maintenance: chains do not need tensioning; they do, however, need greasing once a year. To do this disassemble the rear panel and top cover.

Models MX-IT-0030 - MX-IT-0060

Together with the top control panel, remove all the fixing screws of the panel except one, which should be loosened to allow the panel to rotate while still remaining attached to the machine (this allows you not to detach the electrical cable from the panel). Use MR3 type grease in sufficient quantities that allow lubrication of all chain links. Do not apply too much grease because during chain motion it will tend to spatter against the

Maintenance

machine walls and gum up with dust and food products (e.g. flour) making it harder for you to clean. Finally, reassemble all panelling taking care not to damage the control electrical cable in machines with the top control panel.

Troubleshooting

| INCONVENIENCES | CAUSES | REMEDIES |
|----------------------------|--|---------------------------------|
| Machine operation failure. | Disconnected plug. | Connect plug. |
| | Plug leads not correctly connected. | Check lead connections. |
| | Trip switch adjusted for insufficient values. | Adjust trip switch accordingly. |
| | Unsuitable trip switch. | Replace trip switch. |
| | Board fuses blown out. | Replace blown fuse. |
| | Timer not set. | Set timer to required time. |
| Whirring noise. | The whirring noise emitted by the machine has been measured on an identical sample machine in compliance with standard DIN 45635. A constant value not exceeding 70 dB(A) was measured as stated in the manufacturers test report. | |

Instructions Français

SÉCURITÉ ET GARANTIE

PORTER UN VETEMENT SUFFISANT

Assurez-vous de porter des vêtements moulants sans pièces détachées. Ne portez jamais de vestes, chemises ouvertes ou défit ou salopettes.

IMPORTANT

Pour prévenir les accidents et assurer les meilleures performances de la machine ne doit pas être modifié ou altéré, sauf si autorisé par Omcan. Il ne faut pas utilisé dans des conditions ou à des fins autres que celles pour lesquelles il a été expressément conçu. Toute modification arbitraire mis en œuvre dans cette machine sera automatiquement exempter Omcan de toute responsabilité pour les dommages ou blessures qui a suivi et de garantie revendications.

Pour votre propre sécurité, avant de brancher la machine à la principale électrique:

Instructions Français

- Vérifiez que les conduites d'alimentation menant à la prise de distribution est équipé d'un interrupteur multipolaire protégé approprié contre les surcharges et les courts-circuits.
- Effectuer toutes les connexions de phase, ainsi que toutes les connexions neutre et de terre (obligatoire) avec un bouchon standard compatible avec la douille précitée. La protection de plomb (sol) est celui avec le / vert gaine isolante jaune; assurez-vous que le câble d'alimentation est adaptée à son utilisation, fonction de la longueur, la tension d'alimentation et de la consommation de la machine.
- Sauf protections adéquates contre les chocs électriques sont installés, ne pas utiliser la machine dans des environnements humides ou mouillés.

Ne pas démarrer la machine sans l'habillage de protection. Cela peut compromettre la sécurité du personnel et la machine d'entretien.

CES UNITÉS NE DOIVENT PAS ÊTRE UTILISÉES POUR MÉLANGER LE «POOLISH» OU TOUTE PÂTE EXCESSIVEMENT HUMIDE.

UTILISATEURS RÉSIDENTIELS: Le fournisseur n'assume aucune responsabilité pour la couverture des pièces ou de la main-d'œuvre pour la défaillance des composants ou d'autres dommages résultant de l'installation dans des applications non commerciales ou résidentielles. Le droit est réservé de refuser l'expédition pour un usage résidentiel; si cela se produit, vous en serez informé dans les plus brefs délais.

MX-IT-0010 SERIES 1 AN PIÈCES ET BANC DU TRAVAIL GARANTIE

Dans la période de garantie, contacter Omcan Inc. au 1-800-465-0234 pour planifier une chute hors soit un dépôt Omcan de service autorisé dans la zone ou à un entrepôt Omcan service pour réparer l'équipement.

Entretien non autorisée annulera la garantie. La garantie couvre les pannes électriques et une partie pas une mauvaise utilisation.

S'il vous plaît voir <https://omcan.com/disclaimer> pour info complète.

MX-IT-0020 - MX-IT-0060 1 AN PIÈCES ET GARANTIE DU TRAVAIL

Dans la période de garantie, contacter Omcan Inc. au 1-800-465-0234 pour planifier une Omcan technicien autorisé à réparer l'équipement localement.

Entretien non autorisée annulera la garantie. La garantie couvre les pannes électriques et une partie pas une mauvaise utilisation.

S'il vous plaît voir <https://omcan.com/disclaimer> pour info complète.

AVERTISSEMENT:

Les matériaux d'emballage (carton, de polyéthylène et autres) sont classés comme déchets solides urbains normale et peuvent donc être éliminés sans difficulté.

Instructions Français

En tout cas, pour le recyclage approprié, nous suggérons tranchent des produits séparément (différenciée des déchets) selon les normes actuelles.

NE PAS JETER LES EMBALLAGES DANS L'ENVIRONNEMENT!

SPÉCIFICATIONS TECHNIQUES

| Modèle | Dimensions | Électrique | Puissance du moteur | Pétrissage Capacité | Capacité | Numéro d'article |
|---------------------|--|------------|--|----------------------|-----------------|------------------|
| MX-IT-0010 | 520 x 280 x 580mm 20.5" x 11" x 22.8" | 220V/60/1 | 0.7 HP - 1 Vitesse 0.55 kw - 1 Vitesse | 10 kg. 22 lbs. | 12.7 QT 12 L | 13160 |
| MX-IT-0010-T | | 200V/60/3 | 0.6/0.4 HP - 2 Vitesse | | | 13162 |
| MX-IT-0010-D | | 208V/60/3 | 0.45/0.3 kw - 2 Vitesse | | | 18637 |
| MX-IT-0020 | 690 x 390 x 670mm 27.2" x 15.4" x 26.4" | 220V/60/1 | 1 HP - 1 Vitesse 0.75 kw - 1 Vitesse | 20 kg. 44 lbs. | 26.4 QT 25 L | 13163 |
| MX-IT-0020-T | | 208V/60/3 | 1.5/1 HP - 2 Vitesse 1.1/0.75 kw - 2 Vitesse | | | 13166 |
| MX-IT-0030 | 760 x 420 x 910mm 29.9" x 16.5" x 35.8" | 220V/60/1 | 1.5 HP - 1 Vitesse 1.1 kw - 1 Vitesse | 30 kg. 66.1 lbs. | 40.2 QT 38 L | 13167 |
| MX-IT-0030-T | | 208V/60/3 | 1.9/1.5 HP - 2 Vitesse 1.4/1.1 kw - 2 Vitesse | | | 13170 |
| MX-IT-0040 | 810 x 480 x 950mm 31.9" x 18.9" x 37.4" | 220V/60/1 | 1.5 HP - 1 Vitesse 1.1 kw - 1 Vitesse | 40 kg. 88.2 lbs. | 51.8 QT 49 L | 13171 |
| MX-IT-0040-T | | 208V/60/3 | 1.9/1.5 HP - 2 Vitesse 1.4/1.1 kw - 2 Vitesse | | | 13172 |
| MX-IT-0050 | 940 x 530 x 1030mm 37" x 20.9" x 40.6" | 208V/60/3 | 4/2 HP - 2 Vitesse 3/1.5 kw - 2 Vitesse | 50 kg. 110.2 lbs. | 66.6 QT 63 L | 13173 |
| MX-IT-0060 | 990 x 580 x 1070mm 39" x 22.8" x 42.1" | | | 60 kg. 132.3 lbs. | 89.8 QT 85 L | 13174 |

INSTALLATION

Installer et utiliser la machine dans une pièce qui peut être efficacement ventilés, et où le plancher est de niveau, compact et facile à nettoyer.

Si le plancher est inégal, pour éviter l'instabilité et les mouvements des machines, cales pieds avec des bandes de caoutchouc dur. Positionner la machine comme préférés, en laissant un espace libre d'env. 50 cm / 20 «autour de tous les côtés. Ceci permettra un accès libre pour l'opération, ainsi que pour le nettoyage et l'entretien. Pour les machines équipées de roues, veiller à appliquer les freins en appuyant sur le levier vers le bas. Assurez-vous également que la tension de la machine est la même que celle distribuée par le réseau d'alimentation (voir la plaque signalétique sur la couverture arrière de la machine).

Instructions Français

Pour la connexion au système électrique, se adapter à une prise adaptée au câble d'alimentation de la machine.

Attention: avoir le plug équipée à l'alimentation par un électricien qualifié. Prenez les précautions nécessaires pour empêcher le câble d'être serti ou endommagé.

Après l'accouplement, la fiche dans la prise de courant, la machine est prête à l'emploi. Mais d'abord, vérifier le bon fonctionnement de toutes les pièces et composants de la machine en mouvement. Ainsi, vérifier:

- Le sens de rotation du bol (comparer avec la flèche sur le bol) et en spirale.
- Entretien de l'appareil de sécurité: dispositif est utilisable lorsque la machine se arrête au moment où la garde est levé de 10-15 mm / 0,4 «-0,6».
- Opération de boutons-poussoirs et la lampe pilote.

Important: Si la machine ou certaines de ses parties ne parviennent pas, appelez votre Omcan pour les réparations.

Remarque: pour les machines à alimentation triphasée: en cas de contre-rotation, inverser deux phases de la prise d'alimentation. Vérifier la rotation du bol à chaque fois que vous remplacez la fiche d'alimentation ou de changer réseau électrique socket.

TRANSPORT ET MANUTENTION

La machine, palettes montées à l'origine, est livré enfermé dans un emballage approprié et attaché à la palette en bois lui-même. Lors du déchargement de la machine sur le véhicule de transport, soulever des points marqués sur l'emballage en utilisant un équipement approprié. Sauf si vous avez besoin de vérifier son contenu, il vous est recommandé de ne pas ouvrir l'emballage jusqu'à ce que le moment de l'installation. Pour transporter la machine sur le site d'installation, utiliser un chariot de capacité de charge adéquate. Retirer les sangles, l'emballage et les bandes de polystyrène. Éliminer ce produit conformément à la réglementation en vigueur. Soulever la machine et le lieu sur le site d'installation. Retirer la palette de support en utilisant des bandes de capacité de charge approprié (env. 6 fois le poids de la machine). Ceux-ci devront être glissé sous la tête de support en spirale. Toute l'opération doit être contrôlée par emploi adéquat ou un équipement de levage à moteur.

OPÉRATION

PRÉPARATION DE LA MACHINE

Préparer la machine avant chaque cycle de traitement. Se ASSURER que la machine, en particulier les parties qui entrent en contact avec des produits alimentaires (spirale, bol et de colonne) sont propres et désinfectés; le cas échéant, nettoyer à l'eau chaude et de l'esprit. **Nettoyer avec machine.**

UTILISATION DE LA MACHINE

Après avoir assuré une propreté parfaite de la machine, procéder à des opérations de pâte-faire au besoin.

Instructions Français

CHARGEMENT ET DE DÉMARRAGE

Appuyez sur le bouton-poussoir d'arrêt pour se assurer que la machine est éteinte. Soulevez le protecteur de bol jusqu'à ce qu'il se arrête contre le reste de caoutchouc. Charger la machine avec des ingrédients de la nature et la quantité requise. Abaisser le carter de cuve sur son repos. Appuyez sur le bouton de démarrage. **ATTENTION: la machine sera exécuté que si le micro de sécurité est de service et en position.**

MACHINES ÉQUIPÉES TIMER

Pour les machines équipées avec minuterie de contrôle, avant d'appuyer sur le bouton-poussoir de démarrage, régler le temps nécessaire. Lorsque le temps programmé est écoulé la machine se arrête automatiquement. Dans le cas où vous avez besoin d'utiliser des contrôles manuels, à éliminer fonctionnement de la minuterie par la mise à «SER.CONT» ou «POS.MAN.»

MACHINES À DEUX VITESSES

Pour démarrer la machine régler le commutateur à la vitesse requise. Appuyer sur le bouton-poussoir de démarrage. Si vous voulez changer la vitesse avec la machine en fonctionnement, d'abord régler le sélecteur sur «0» puis définissez la nouvelle vitesse. Ensuite appuyez sur le bouton de démarrage. **Attention: si le sélecteur reste en position «0» il est impossible de démarrer la machine.**

DÉCHARGEMENT DE LA MACHINE

À la fin de la période fixée pour le processus, appuyez sur le bouton d'arrêt.

Remarque: les machines équipées de minuterie se arrête automatiquement.

Soulevez le protecteur de bol, retirez la pâte, et nettoyer soigneusement toutes les parties touchées par le processus immédiatement. À la fin du nettoyage, fermer la garde.

VARIATION DOSES DE MÉLANGE INITIAL

Si vous avez besoin de faire varier le mélange initial en ajoutant ou en modifiant la quantité des ingrédients, utiliser les créneaux alimentaires dans la garde sans arrêt de la machine ou de faire monter la garde.

ENTRETIEN

DÉBRANCHEZ TOUJOURS LA MACHINE DE LA PRISE ÉLECTRIQUE AVANT D'EFFECTUER TOUT ENTRETIEN OU NETTOYAGE!

NETTOYAGE

Attention: Pour le traitement sain et hygiénique des produits nutritionnels, être sûr de garder votre machine et l'environnement propre. Toujours couper l'alimentation électrique avant de le nettoyer.

Après utilisation, surtout depuis matériau traité est encore molle, toujours bien propre garde, bol, spirale

Instructions Français

et colonne. Inspecter et, si nécessaire, nettoyer à nouveau les outils de traitement avant une opération de pétrissage frais. Utilisez de l'eau chaude pour enlever et rincer toute la pâte résiduelle. À sec avec du papier absorbant nutritionnel et désinfecter avec un chiffon doux tamponné dans de l'alcool, ou un désinfectant de qualité alimentaire.

Attention: ne jamais utiliser de qualité non-alimentaire, abrasive ou de produits chimiques corrosifs pour nettoyer. Aussi ne jamais utiliser des objets grossiers ou abrasifs comme la laine d'acier, éponges abrasives et ainsi de suite.

Pour nettoyer les parties internes et externes machines:

- Retirez le bouchon d'alimentation de réseau électrique socket.
- Nettoyez les surfaces revêtues avec un chiffon doux et désinfecter avec de l'alcool.
- Pour nettoyer les parties intérieures de la machine, d'abord démonter le panneau arrière; enlever la graisse et de la poudre des produits alimentaires transformés; puis remonter les panneaux.

ENTRETIEN ET DE RÉGLAGE

Attention: Ne oubliez pas que toutes les opérations de maintenance sont dangereux si vous ne pas d'abord le déconnecter la fiche de réseau électrique.

Pour assurer la sécurité de la machine, la maintenabilité et la performance indiqué, le service des pièces suivantes:

- Tension de courroie: une fois par an, ou en cas de fonctionnement de la machine irrégulière (perte rpm), vérifier la tension de la courroie d'entraînement. Pour ce faire, le panneau arrière de la machine à démonter; assurez-vous que la ceinture est assez serré et, si nécessaire, tourner la vis marquée par le symbole approprié, sans exagérer quand serrer la ceinture. Remonter le panneau arrière.

Ne jamais utiliser la machine avec des gardes, et de boucliers manquantes démontés ou ouverts.

Si les opérations de maintenance nécessitent des réparations au système et / ou le remplacement des roulements ou des composants mécaniques électriques, appeler Omcán.

Modèles MX-IT-0010 - MX-IT-0060

Entretien de la chaîne: les chaînes ne ont pas besoin de tension; ils ne doivent cependant graisser une fois par an. Pour ce faire, démonter le panneau arrière et le capot supérieur.

Modèles MX-IT-0030 - MX-IT-0060

Avec le panneau de contrôle supérieur, retirez toutes les vis de fixation du panneau, sauf un, qui doit être desserré pour permettre au panneau de tourner tout en restant attaché à la machine (ce qui vous permet de ne pas détacher le câble électrique du panneau). Utilisez MR3 graisse de type en quantités suffisantes qui permettent la lubrification de tous les maillons de la chaîne. Ne pas appliquer trop de graisse, car pendant le mouvement de la chaîne il aura tendance à éclabousser contre les parois de la machine et de la gomme avec la poussière et les produits alimentaires (par exemple, la farine) qui rend plus difficile pour vous de nettoyer. Enfin, remonter lambris tout en prenant soin de ne pas endommager le câble électrique de commande dans des machines avec le panneau de contrôle supérieur.

Instructions Français

DÉPANNAGE

| INCONVÉNIENTS | CAUSES | RECOURS |
|-------------------------------|---|---|
| Machine échec de l'opération. | Fiche débranchée. | Branchez la prise. |
| | Branchez mène pas correctement connecté. | Vérifiez les connexions de plomb. |
| | Interrupteur de voyage ajusté pour les valeurs insuffisantes. | Réglez l'interrupteur de voyage en conséquence. |
| | Interrupteur de voyage inappropriés. | Remplacer l'interrupteur de voyage. |
| | Fusibles du Conseil soufflés. | Remplacer le fusible soufflé. |
| | Minuterie ne est pas réglée. | Réglez la minuterie pour temps nécessaire. |
| Vrombissant bruit. | Le vrombissement émis par la machine a été mesurée sur une machine d'échantillon identique en conformité avec la norme DIN 45635. Une valeur constante ne dépassant pas 70 dB (A) a été mesurée comme indiqué dans le rapport de test des fabricants. | |

Instrucciones en Español

SEGURIDAD Y GARANTÍA

USE ROPA ADECUADA

Asegúrese de llevar ropa ceñida sin piezas sueltas. Nunca use abiertos o desabrochados chaquetas, camisas o un mono.

IMPORTANTE

Para evitar accidentes y garantizar el mejor rendimiento de la máquina no debe ser modificado o alterado, salvo autorización de Omcan. Tampoco debe usarse en condiciones o para fines distintos de aquellos para los que ha sido diseñado expresamente. Cualquier modificación arbitraria implementado en esta máquina va a eximir automáticamente Omcan de cualquier responsabilidad resultante de daños o lesiones y reclamaciones de garantías.

Por su propia seguridad personal, antes de conectar la máquina a la principal eléctrica:

- Compruebe que la red de alimentación que conducen a la toma de distribución está equipado con un interruptor multipolar adecuada protección contra sobrecargas y cortocircuitos.
- Llevar a cabo todas las conexiones de fase, así como cualquier conexión de neutro y de tierra (obligatorias) con un enchufe estándar compatible con el zócalo mencionado anteriormente. El cable

Instrucciones en Español

de protección (tierra) es el que tiene la vaina amarillo / verde aislante; asegúrese de que el cable de alimentación es adecuada para su uso, de acuerdo a la longitud, tensión de alimentación y el consumo de la máquina.

- A menos que se montan las protecciones adecuadas contra descargas eléctricas, no ponga en funcionamiento la máquina en ambientes húmedos o mojados.

No poner en marcha la máquina sin los paneles de protección. Esto puede poner en peligro la seguridad del personal y de la máquina de servicio.

ESTAS UNIDADES NO DEBEN USARSE PARA MEZCLAR “POOLISH” O CUALQUIER MASA EXCESIVAMENTE HÚMEDA.

USUARIOS RESIDENCIALES: El proveedor no asume ninguna responsabilidad por la cobertura de piezas o mano de obra por fallas de componentes u otros daños resultantes de la instalación en aplicaciones residenciales o no comerciales. Se reserva el derecho a denegar el envío para uso residencial; si esto ocurre, se le notificará lo antes posible.

MX-IT-0010 SERIES 1 AÑO EN PIEZAS Y BENCH TRABAJO DE GARANTÍA

Dentro del período de garantía, póngase en contacto Omcan Inc. al 1-800-465-0234 para programar una caída ya sea a un depósito autorizado Omcan servicio en la zona, o para un almacén de servicio Omcan para reparar el equipo.

Mantenimiento no autorizada anulará la garantía. La garantía cubre no fallas eléctricas y piezas de uso indebido.

Por favor, vea <https://omcan.com/disclaimer> para obtener información completa.

MX-IT-0020 - MX-IT-0060 1 AÑO PIEZAS Y GARANTÍA TRABAJO

Dentro del período de garantía, póngase en contacto Omcan Inc. al 1-800-465-0234 para programar una Omcan técnico autorizado para reparar el equipo local.

Mantenimiento no autorizada anulará la garantía. La garantía cubre no fallas eléctricas y piezas de uso indebido.

Por favor, vea <https://omcan.com/disclaimer> para obtener información completa.

ADVERTENCIA:

Las piezas de embalaje (cartón, polietileno, etc.) se clasifican como residuos sólidos urbanos y por lo tanto se pueden eliminar sin dificultades.

En cualquier caso, para el reciclaje adecuado, le sugerimos comercialización de esos productos por separado (residuos diferenciada) de acuerdo con las normas vigentes.

Instrucciones en Español

NO TIRAR LOS PRODUCTOS ENVASADO EN EL MEDIO AMBIENTE!

ESPECIFICACIONES TÉCNICAS

| Modelo | Dimensiones | Eléctrico | Fuerza de motor | Amasar Capacidad | Capacidad | Número de artículo |
|---------------------|--|-----------|--|----------------------|-----------------|-----------------------|
| MX-IT-0010 | 520 x 280 x 580mm 20.5" x 11" x 22.8" | 220V/60/1 | 0.7 HP - 1 Speed 0.55 kw - 1 Speed | 10 kg. 22 lbs. | 12.7 QT 12 L | 13160 |
| MX-IT-0010-T | | 200V/60/3 | 0.6/0.4 HP - 2 Speed | | | 13162 |
| MX-IT-0010-D | | 208V/60/3 | 0.45/0.3 kw - 2 Speed | | | 18637 |
| MX-IT-0020 | 690 x 390 x 670mm 27.2" x 15.4" x 26.4" | 220V/60/1 | 1 HP - 1 Speed 0.75 kw - 1 Speed | 20 kg. 44 lbs. | 26.4 QT 25 L | 13163 |
| MX-IT-0020-T | | 208V/60/3 | 1.5/1 HP - 2 Speed 1.1/0.75 kw - 2 Speed | | | 13166 |
| MX-IT-0030 | 760 x 420 x 910mm 29.9" x 16.5" x 35.8" | 220V/60/1 | 1.5 HP - 1 Speed 1.1 kw - 1 Speed | 30 kg. 66.1 lbs. | 40.2 QT 38 L | 13167 |
| MX-IT-0030-T | | 208V/60/3 | 1.9/1.5 HP - 2 Speed 1.4/1.1 kw - 2 Speed | | | 13170 |
| MX-IT-0040 | 810 x 480 x 950mm 31.9" x 18.9" x 37.4" | 220V/60/1 | 1.5 HP - 1 Speed 1.1 kw - 1 Speed | 40 kg. 88.2 lbs. | 51.8 QT 49 L | 13171 |
| MX-IT-0040-T | | 208V/60/3 | 1.9/1.5 HP - 2 Speed 1.4/1.1 kw - 2 Speed | | | 13172 |
| MX-IT-0050 | 940 x 530 x 1030mm 37" x 20.9" x 40.6" | 208V/60/3 | 4/2 HP - 2 Speed 3/1.5 kw - 2 Speed | 50 kg. 110.2 lbs. | 66.6 QT 63 L | 13173 |
| MX-IT-0060 | 990 x 580 x 1070mm 39" x 22.8" x 42.1" | | | 60 kg. 132.3 lbs. | 89.8 QT 85 L | 13174 |

INSTALACIÓN

Instalar y utilizar la máquina en una habitación que puede ser ventilada con eficiencia y donde el suelo está nivelado, compacto y fácil de limpiar.

Si el piso es irregular, para evitar la inestabilidad y movimientos de la máquina, pies calza con tiras de goma dura. Coloque la máquina como preferido, dejando un espacio libre de aprox. 50 cm / 20 "alrededor de todos los lados. Esto permitirá un acceso sin obstáculos para la operación real, así como para la limpieza y el mantenimiento. Para las máquinas equipadas con ruedas, asegúrese de aplicar los frenos pulsando la palanca hacia abajo. Asegúrese también de que la tensión de la máquina es el mismo que el distribuido por red eléctrica (ver placa de características en la cubierta trasera de la máquina).

Para la conexión al sistema eléctrico, instalar un enchufe adecuado para el cable de alimentación de la máquina.

Instrucciones en Español

Advertencia: tener el enchufe de este aparato a la red eléctrica por un electricista calificado. Tome las precauciones necesarias para evitar que el cable está engarzada o dañado.

Después del apareamiento, el enchufe a la toma de corriente, la máquina está lista para su uso. En primer lugar, sin embargo, comprobar el correcto funcionamiento de todas las partes y componentes de la máquina en movimiento. Por lo tanto, comprobar:

- Sentido de giro del tazón (comparar con la flecha en el tazón) y espiral.
- Dispositivo de servicio de seguridad: dispositivo es útil cuando la máquina se para el momento en que el guardia se levantó por / 0.4 “-0.6” 10-15 mm.
- El funcionamiento de los botones y la lámpara piloto.

Importante: Si la máquina o alguna de sus partes fallan, llame a su Omcan para las reparaciones.

Nota: para máquinas con alimentación trifásica: en caso de rotación en sentido contrario, invierta dos fases del enchufe de alimentación. Verifique la rotación tazón cada vez que sustituya el enchufe de alimentación o cambiar la toma de corriente de alimentación.

TRANSPORTE Y MANIPULACIÓN

La máquina, plataforma montada en origen, se embarca encerrado en un embalaje apropiado y atado a la misma paleta de madera. Al descargar la máquina del vehículo de transporte, levantar a partir de los puntos marcados en el embalaje con un equipo adecuado. A menos que usted necesita para comprobar su contenido, se recomienda no abrir el embalaje hasta el momento de la instalación. Para transportar la máquina al lugar de instalación, utilice un carro de la capacidad de carga adecuada. Retire las correas, el embalaje y las tiras de poliestireno. Elimine este material de acuerdo con la normativa vigente. Levante la máquina y colocar en el lugar de instalación. Retire el palet soporte usando correas de resistencia adecuada (aprox. 6 veces el peso de la máquina). Estos tendrán que ser deslizado debajo de la cabeza titular de la espiral. Toda la operación va a ser controlado por el manual adecuado o equipo de elevación de motor.

OPERACIÓN

PREPARACIÓN DE LA MÁQUINA

Preparar la máquina antes de cada ciclo del proceso. Asegúrese de que la máquina, especialmente las partes que entran en contacto con productos alimenticios (espiral, tazón y columna) están limpios y desinfectados; cuando sea necesario limpiar con agua caliente y espíritu. **Limpiar con máquina.**

OPERACIÓN DE LA MÁQUINA

Después de haber asegurado perfecta limpieza de la máquina, proceder con las operaciones de preparación de la masa según se requiera.

Instrucciones en Español

CARGA Y ARRANQUE

Pulsa el botón de parada para asegurarse de que la máquina está apagada. Levante el protector del vaso hasta que se detenga contra el resto de goma. Cargar la máquina con los ingredientes del tipo y la cantidad requerida. Baje el protector de vaso en su descanso. Pulse el pulsador de arranque.

PRECAUCIÓN: la máquina funcionará sólo si el microinterruptor de seguridad es útil y en su posición.

MÁQUINAS EQUIPADAS CON TIMER

Para las máquinas equipadas con temporizador de control, antes de pulsar el pulsador de arranque, ajuste el tiempo requerido. Cuando el tiempo establecido se acabe la máquina se detiene automáticamente. En el caso de que usted necesita utilizar los controles manuales, eliminar el funcionamiento del temporizador mediante el establecimiento de "SER.CONT" o "POS.MAN."

MÁQUINAS DE DOS VELOCIDADES

Para arrancar la máquina configurar el conmutador a la velocidad requerida. Presionar el pulsador de arranque. Si desea cambiar la velocidad con la máquina en funcionamiento, primero ponga el selector en "0" a continuación, establecer la nueva velocidad. Posteriormente presione el pulsador de arranque.

Precaución: si el selector permanece en la posición "0" es imposible arrancar la máquina.

DESCARGAR LA MÁQUINA

Al final del período de tiempo establecido para el proceso, pulse el botón de parada de empuje.

Nota: Las máquinas equipadas con temporizador se detendrá automáticamente.

Levante el protector de vaso, retire la masa, y limpiar a fondo todas las partes afectadas por el proceso de inmediato. Al final de la limpieza, cierre la guardia.

DOSIS VARIABLES MEZCLA INICIAL

Si necesita variar la mezcla inicial añadiendo o cambiando la cantidad de los ingredientes, utilice las ranuras de los alimentos en la guardia sin parar la máquina o el aumento de la guardia.

MANTENIMIENTO

SIEMPRE DESENCHUFE EL EQUIPO DE LA TOMA DE CORRIENTE ANTES DE DAR MANTENIMIENTO O LIMPIEZA!

LIMPIEZA

Advertencia: Para el procesamiento saludable e higiénico de los productos nutricionales, asegúrese de mantener su máquina y el medio ambiente que rodea limpio. Desconecte siempre la fuente de alimentación antes de limpiar.

Instrucciones en Español

Después de su uso, sobre todo porque el material procesado es todavía suave, siempre completamente limpio guardia, cuba, espiral, la columna. Inspeccione y, si es necesario, limpie las herramientas de proceso de nuevo antes de una operación de amasado fresco. Use agua caliente para retirar y enjuagar cualquier masa residual. Secar con papel absorbente nutricional y desinfectar con un paño suave frotado en el alcohol, o desinfectante de calidad alimentaria.

Advertencia: nunca utilice grado no alimentario, abrasivos o productos químicos corrosivos para limpiar. Además, nunca utilice objetos gruesos o abrasivos, como lana de acero, esponjas abrasivas y así sucesivamente.

Para limpiar la máquina partes internas y externas:

- Retire el tapón de la fuente de alimentación de la toma de red eléctrica.
- Limpie las superficies recubiertas con un paño suave y desinfectar con alcohol.
- Para limpiar las partes internas de la máquina, primero desmontar el panel trasero; eliminar la grasa y el polvo de los productos alimenticios procesados; a continuación, volver a montar los paneles.

MANTENIMIENTO Y AJUSTES

Advertencia: Recuerde que todas las operaciones de mantenimiento son peligrosos si no primero desconecte el enchufe de la red eléctrica.

Para mantener la seguridad de las máquinas, capacidad de servicio y el rendimiento se ha dicho, el servicio de las siguientes partes:

- Tensión de la correa: una vez al año, o en caso de operación de la máquina irregular (pérdida de RPM), comprobar tensión de la correa de accionamiento. Para ello, el panel posterior de la máquina desmonte; asegúrese de que el cinturón esté bien apretado y, si es necesario, gire el tornillo marcado con el símbolo apropiado, sin exagerar cuando apriete el cinturón. Vuelva a montar el panel posterior.

Nunca utilice esta máquina si las guardias, y escudos desmontadas o abiertas que faltan.

Si las operaciones de servicio requieren reparaciones al sistema eléctrico y / o sustitución de los rodamientos o componentes mecánicos, llame Omcan.

Modelos MX-IT-0010 - MX-IT-0060

Mantenimiento de la cadena: la cadena no necesitan de tensión; ellos, sin embargo, necesitan ser engrasados una vez al año. Para ello desmontar el panel trasero y la cubierta superior.

Modelos MX-IT-0030 - MX-IT-0060

Junto con el panel de control superior, quite todos los tornillos de fijación del panel, excepto uno, que deben aflojarse para permitir que el panel para girar sin dejar de ser conectado a la máquina (esto le permite no desconectar el cable eléctrico desde el panel). Utilice el tipo de grasa MR3 en cantidades suficientes que permiten la lubricación de todos los eslabones de la cadena. No aplique demasiada grasa porque durante el movimiento de la cadena que tiende a salpicar contra las paredes de la máquina y goma con polvo y productos alimenticios (por ejemplo, harina) por lo que es más difícil para usted para limpiar. Por último, volver a montar todos los paneles con cuidado de no dañar el cable eléctrico de control de máquinas con el panel de control superior.

Instrucciones en Español

SOLUCIÓN DE PROBLEMAS

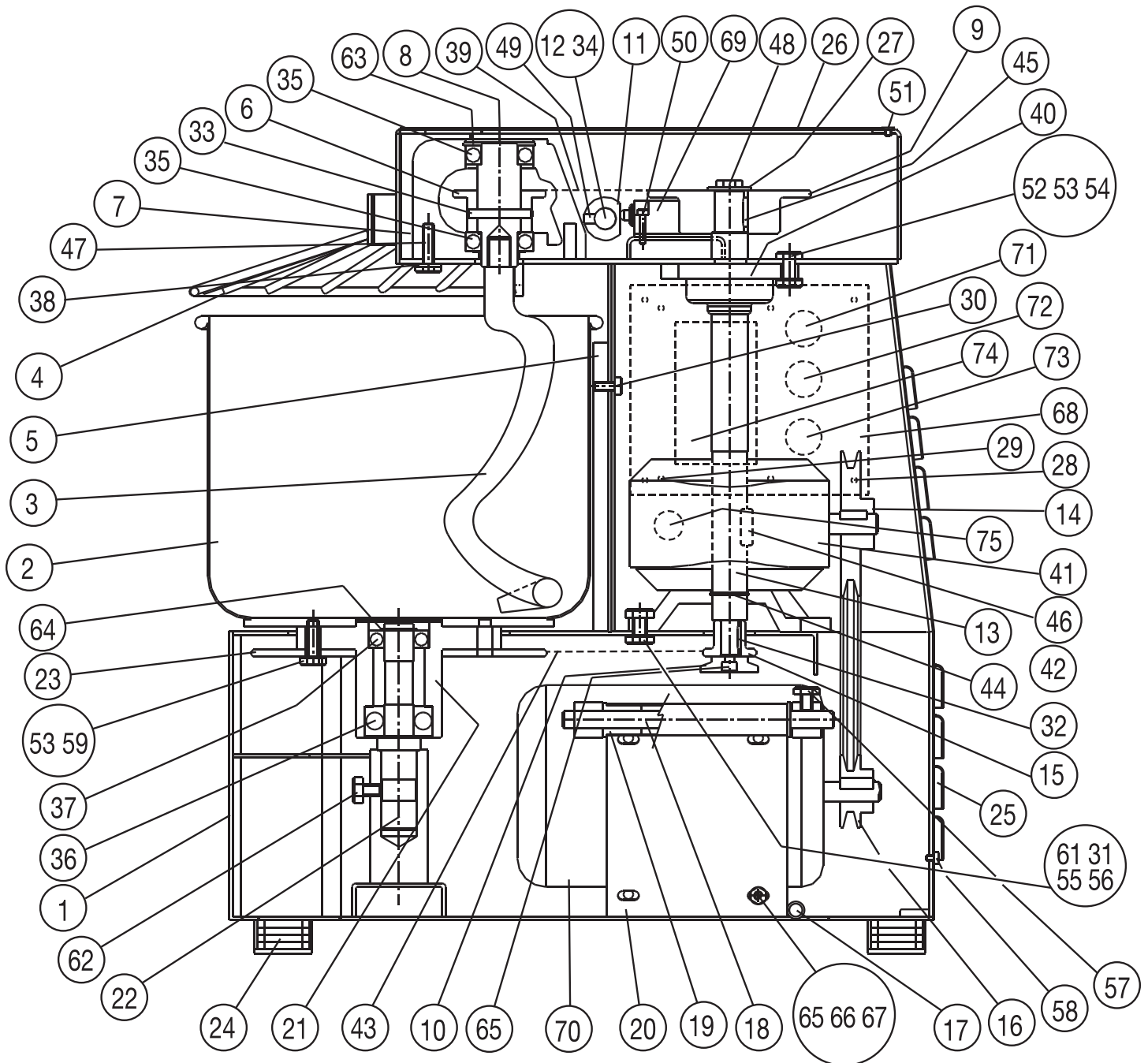
| INCONVENIENTES | CAUSAS | REMEDIOS |
|---|--|--|
| Un fallo de funcionamiento de la máquina. | Enchufe desconectado. | Conecte el enchufe. |
| | Plug sin estar los cables conectados correctamente. | Compruebe los cables. |
| | Interruptor de disparo ajustado para valores insuficientes. | Ajuste el interruptor viaje en consecuencia. |
| | Cambiar viaje inadecuados. | Reemplace el interruptor de viaje. |
| | Fusibles Junta sopladas. | Reemplace el fusible fundido. |
| | Temporizador no establecido. | Ajuste del temporizador de tiempo requerido. |
| Zumbido ruido. | El zumbido emitido por la máquina se ha medido en una máquina muestra idéntica de acuerdo con la norma DIN 45635. Un valor constante que no supere los 70 dB (A) se midió como se indica en el informe del ensayo fabricantes. | |

Parts Breakdown

Model MX-IT-0010 13160

Model MX-IT-0010-T 13162

Model MX-IT-0010-D 18637



Parts Breakdown

Model MX-IT-0010 13160

| Item No. | Description | Position | Item No. | Description | Position | Item No. | Description | Position |
|----------|--|----------|----------|----------------------------------|----------|----------|--|----------|
| 75496 | Base for 13160 | 1 | 75521 | Shelter Tested for 13160 | 26 | 75546 | Screw TS for 13160 | 51 |
| 75497 | Basin for 13160 | 2 | 75522 | Washer for 13160 | 27 | 75547 | Screw TE for 13160 | 52 |
| 75498 | Spiral for 13160 | 3 | 75523 | Screw TS for 13160 | 28 | 75548 | Washer for 13160 | 53 |
| 75499 | Protective Polyethylene for 13160 | 4 | 75524 | Screw TS for 13160 | 29 | 75549 | Nut for 13160 | 54 |
| 75500 | Shelter for 13160 | 5 | 75525 | Socket Head Cap Screws for 13160 | 30 | 75550 | Screw TE for 13160 | 55 |
| 75501 | Pinion Z = 20 for 13160 | 6 | 75526 | Screw TE for 13160 | 31 | 75551 | Washer for 13160 | 56 |
| 75502 | Support X Spiral for 13160 | 7 | 75527 | Tongue for 13160 | 32 | 75552 | Screw TE for 13160 | 57 |
| 75503 | Shaft Spiral for 13160 | 8 | 75528 | Spring Pin for 13160 | 33 | 75553 | Screw TC for 13160 | 58 |
| 75504 | Pinion A = 36 for 13160 | 9 | 75529 | Spring Pin for 13160 | 34 | 75554 | Screw TE for 13160 | 59 |
| 75505 | Washer for Chain for 13160 | 10 | 75530 | Bearing for 13160 | 35 | 75555 | Nut for 13160 | 61 |
| 75506 | Cam X Microswitch for 13160 | 11 | 75531 | Bearing for 13160 | 36 | 75556 | Screw TE for 13160 | 62 |
| 75507 | Tree X Shelter for 13160 | 12 | 75532 | Bearing for 13160 | 37 | 75557 | Elastic Ring for 13160 | 63 |
| 75508 | Tree X Reducer for 13160 | 13 | 75533 | Washer for 13160 | 38 | 75558 | Elastic Ring for 13160 | 64 |
| 75509 | Pulley X Reducer C = 100 Z = 1 for 13160 | 14 | 75534 | Single Chain for 13160 | 39 | 75559 | Screw TE for 13160 | 65 |
| 75510 | Pinion Z = 11 for 13160 | 15 | 75535 | Support for 13160 | 40 | 75560 | Nut for 13160 | 66 |
| 75511 | Motor Pulley D = 50 Z = 1 for 13160 | 16 | 75536 | Adapter for 13160 | 41 | 75561 | Washer for 13160 | 67 |
| 75512 | Rod for 13160 | 17 | 75537 | V-Belt for 13160 | 42 | 75562 | Width X Imp Electr for 13160 | 68 |
| 75513 | Tree X Motor Mount for 13160 | 18 | 75538 | Single Chain for 13160 | 43 | 75563 | Safety Microswitch for 13160 | 69 |
| 75514 | Nylon Bushings for 13160 | 19 | 75539 | Elastic Ring for 13160 | 44 | 75564 | Motor for 13160 | 70 |
| 75515 | Base Engine for 13160 | 20 | 75540 | Tongue for 13160 | 45 | 75565 | Motor Contactor 2-0-1-Speed for 13160 | 71 |
| 75516 | Support X Basin for 13160 | 21 | 75541 | Tongue for 13160 | 46 | 75566 | Pilot Light (Main Switch White Lamp) for 13160 | 72 |
| 75517 | Tree Basin for 13160 | 22 | 75542 | Screw TE for 13160 | 47 | 75567 | Stop Button for 13160 | 73 |
| 75518 | Crown Z = 66 for 13160 | 23 | 75543 | Screw TE for 13160 | 48 | 75568 | Circuit Board for 13160 | 74 |
| 75519 | Shock Absorber for 13160 | 24 | 75544 | Screw STEI for 13160 | 49 | 75569 | Fairlead for 13160 | 75 |
| 75520 | Rear Protection for 13160 | 25 | 75545 | Screw TC for 13160 | 50 | | | |



Parts Breakdown

Model MX-IT-0010-T 13162

| Item No. | Description | Position | Item No. | Description | Position | Item No. | Description | Position |
|----------|--|----------|----------|----------------------------------|----------|----------|--|----------|
| 75496 | Base for 13162 | 1 | 75521 | Shelter Tested for 13162 | 26 | 75546 | Screw TS for 13162 | 51 |
| 75497 | Basin for 13162 | 2 | 75522 | Washer for 13162 | 27 | 75547 | Screw TE for 13162 | 52 |
| 75498 | Spiral for 13162 | 3 | 75523 | Screw TS for 13162 | 28 | 75548 | Washer for 13162 | 53 |
| 75499 | Protective Polyethylene for 13162 | 4 | 75524 | Screw TS for 13162 | 29 | 75549 | Nut for 13162 | 54 |
| 75500 | Shelter for 13162 | 5 | 75525 | Socket Head Cap Screws for 13162 | 30 | 75550 | Screw TE for 13162 | 55 |
| 75501 | Pinion Z = 20 for 13162 | 6 | 75526 | Screw TE for 13162 | 31 | 75551 | Washer for 13162 | 56 |
| 75502 | Support X Spiral for 13162 | 7 | 75527 | Tongue for 13162 | 32 | 75552 | Screw TE for 13162 | 57 |
| 75503 | Shaft Spiral for 13162 | 8 | 75528 | Spring Pin for 13162 | 33 | 75553 | Screw TC for 13162 | 58 |
| 75504 | Pinion A = 36 for 13162 | 9 | 75529 | Spring Pin for 13162 | 34 | 75554 | Screw TE for 13162 | 59 |
| 75505 | Washer for Chain for 13162 | 10 | 75530 | Bearing for 13162 | 35 | 75555 | Nut for 13162 | 61 |
| 75506 | Cam X Microswitch for 13162 | 11 | 75531 | Bearing for 13162 | 36 | 75556 | Screw TE for 13162 | 62 |
| 75507 | Tree X Shelter for 13162 | 12 | 75532 | Bearing for 13162 | 37 | 75557 | Elastic Ring for 13162 | 63 |
| 75508 | Tree X Reducer for 13162 | 13 | 75533 | Washer for 13162 | 38 | 75558 | Elastic Ring for 13162 | 64 |
| 75509 | Pulley X Reducer C = 100 Z = 1 for 13162 | 14 | 75534 | Single Chain for 13162 | 39 | 75559 | Screw TE for 13162 | 65 |
| 75510 | Pinion Z = 11 for 13162 | 15 | 75535 | Support for 13162 | 40 | 75560 | Nut for 13162 | 66 |
| 75511 | Motor Pulley D = 50 Z = 1 for 13162 | 16 | 75536 | Adapter for 13162 | 41 | 75561 | Washer for 13162 | 67 |
| 75512 | Rod for 13162 | 17 | 75537 | V-Belt for 13162 | 42 | 75562 | Width X Imp Electr for 13162 | 68 |
| 75513 | Tree X Motor Mount for 13162 | 18 | 75538 | Single Chain for 13162 | 43 | 75563 | Safety Microswitch for 13162 | 69 |
| 75514 | Nylon Bushings for 13162 | 19 | 75539 | Elastic Ring for 13162 | 44 | 64830 | Motor for 13162 | 70 |
| 75515 | Base Engine for 13162 | 20 | 75540 | Tongue for 13162 | 45 | 75565 | Motor Contactor 2-0-1-Speed for 13162 | 71 |
| 75516 | Support X Basin for 13162 | 21 | 75541 | Tongue for 13162 | 46 | 75566 | Pilot Light (Main Switch White Lamp) for 13162 | 72 |
| 75517 | Tree Basin for 13162 | 22 | 75542 | Screw TE for 13162 | 47 | 75567 | Stop Button for 13162 | 73 |
| 75518 | Crown Z = 66 for 13162 | 23 | 75543 | Screw TE for 13162 | 48 | 75568 | Circuit Board for 13162 | 74 |
| 75519 | Shock Absorber for 13162 | 24 | 75544 | Screw STEI for 13162 | 49 | 75569 | Fairlead for 13162 | 75 |
| 75520 | Rear Protection for 13162 | 25 | 75545 | Screw TC for 13162 | 50 | | | |

Parts Breakdown

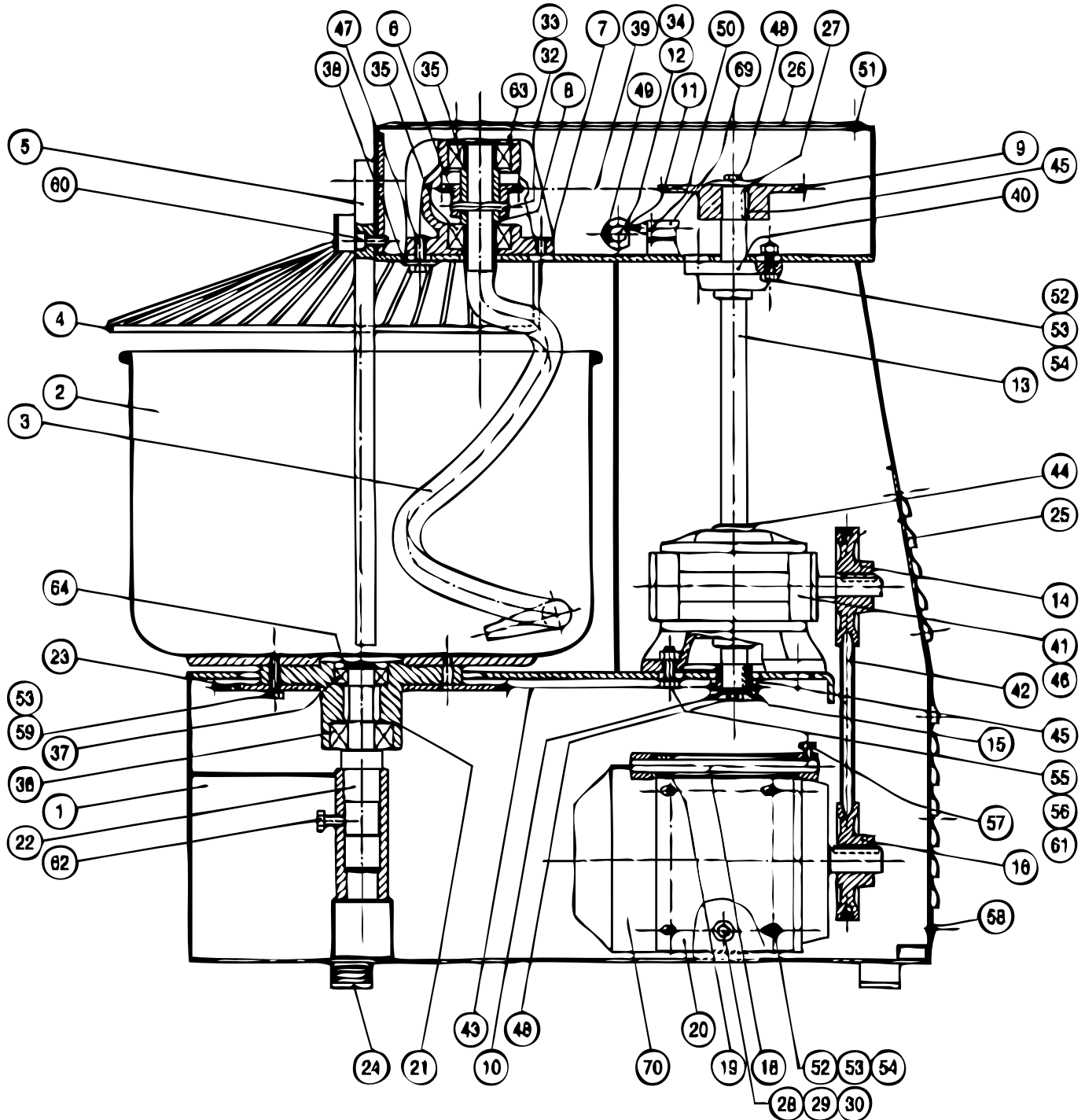
Model MX-IT-0010-D 18637

| Item No. | Description | Position | Item No. | Description | Position | Item No. | Description | Position |
|----------|--|----------|----------|----------------------------------|----------|----------|--|----------|
| 75496 | Base for 18637 | 1 | 75521 | Shelter Tested for 18637 | 26 | 75546 | Screw TS for 18637 | 51 |
| 75497 | Basin for 18637 | 2 | 75522 | Washer for 18637 | 27 | 75547 | Screw TE for 18637 | 52 |
| 75498 | Spiral for 18637 | 3 | 75523 | Screw TS for 18637 | 28 | 75548 | Washer for 18637 | 53 |
| 75499 | Protective Polyethylene for 18637 | 4 | 75524 | Screw TS for 18637 | 29 | 75549 | Nut for 18637 | 54 |
| 75500 | Shelter for 18637 | 5 | 75525 | Socket Head Cap Screws for 18637 | 30 | 75550 | Screw TE for 18637 | 55 |
| 75501 | Pinion Z = 20 for 18637 | 6 | 75526 | Screw TE for 18637 | 31 | 75551 | Washer for 18637 | 56 |
| 75502 | Support X Spiral for 18637 | 7 | 75527 | Tongue for 18637 | 32 | 75552 | Screw TE for 18637 | 57 |
| 75503 | Shaft Spiral for 18637 | 8 | 75528 | Spring Pin for 18637 | 33 | 75553 | Screw TC for 18637 | 58 |
| 75504 | Pinion A = 36 for 18637 | 9 | 75529 | Spring Pin for 18637 | 34 | 75554 | Screw TE for 18637 | 59 |
| 75505 | Washer for Chain for 18637 | 10 | 75530 | Bearing for 18637 | 35 | 75555 | Nut for 18637 | 61 |
| 75506 | Cam X Microswitch for 18637 | 11 | 75531 | Bearing for 18637 | 36 | 75556 | Screw TE for 18637 | 62 |
| 75507 | Tree X Shelter for 18637 | 12 | 75532 | Bearing for 18637 | 37 | 75557 | Elastic Ring for 18637 | 63 |
| 75508 | Tree X Reducer for 18637 | 13 | 75533 | Washer for 18637 | 38 | 75558 | Elastic Ring for 18637 | 64 |
| 75509 | Pulley X Reducer C = 100 Z = 1 for 18637 | 14 | 75534 | Single Chain for 18637 | 39 | 75559 | Screw TE for 18637 | 65 |
| 75510 | Pinion Z = 11 for 18637 | 15 | 75535 | Support for 18637 | 40 | 75560 | Nut for 18637 | 66 |
| 75511 | Motor Pulley D = 50 Z = 1 for 18637 | 16 | 75536 | Adapter for 18637 | 41 | 75561 | Washer for 18637 | 67 |
| 75512 | Rod for 18637 | 17 | 75537 | V-Belt for 18637 | 42 | 75562 | Width X Imp Electr for 18637 | 68 |
| 75513 | Tree X Motor Mount for 18637 | 18 | 75538 | Single Chain for 18637 | 43 | 75563 | Safety Microswitch for 18637 | 69 |
| 75514 | Nylon Bushings for 18637 | 19 | 75539 | Elastic Ring for 18637 | 44 | 64831 | Motor for 18637 | 70 |
| 75515 | Base Engine for 18637 | 20 | 75540 | Tongue for 18637 | 45 | 75565 | Motor Contactor 2-0-1-Speed for 18637 | 71 |
| 75516 | Support X Basin for 18637 | 21 | 75541 | Tongue for 18637 | 46 | 75566 | Pilot Light (Main Switch White Lamp) for 18637 | 72 |
| 75517 | Tree Basin for 18637 | 22 | 75542 | Screw TE for 18637 | 47 | 75567 | Stop Button for 18637 | 73 |
| 75518 | Crown Z = 66 for 18637 | 23 | 75543 | Screw TE for 18637 | 48 | 75568 | Circuit Board for 18637 | 74 |
| 75519 | Shock Absorber for 18637 | 24 | 75544 | Screw STEI for 18637 | 49 | 75569 | Fairlead for 18637 | 75 |
| 75520 | Rear Protection for 18637 | 25 | 75545 | Screw TC for 18637 | 50 | | | |

Parts Breakdown

Model MX-IT-0020 13163

Model MX-IT-0020-T 13166



Parts Breakdown

Model MX-IT-0020 13163

| Item No. | Description | Position | Item No. | Description | Position | Item No. | Description | Position |
|----------|------------------------------|----------|----------|----------------------------|----------|----------|------------------------|----------|
| 75570 | Base for 13163 | 1 | 75592 | Crown Z = 85 3/8 for 13163 | 23 | 75614 | Tongue for 13163 | 46 |
| 75571 | Basin for 13163 | 2 | 75593 | Shock Absorber for 13163 | 24 | 75615 | Screw TE for 13163 | 47 |
| 75572 | Auger for 13163 | 3 | 75594 | Rear Protection for 13163 | 25 | 75616 | Screw TE for 13163 | 48 |
| 75573 | Shelter for 13163 | 4 | 75595 | Shelter Tested for 13163 | 26 | 75617 | Screw STEI for 13163 | 49 |
| 75574 | Central Rod for 13163 | 5 | 75596 | Washer for 13163 | 27 | 75618 | Screw TC for 13163 | 50 |
| 75575 | Pinion Z = 15 1/2 for 13163 | 6 | 75597 | Washer for 13163 | 28 | 75619 | Screw TS for 13163 | 51 |
| 75576 | Support X Auger for 13163 | 7 | 75598 | Rod for 13163 | 29 | 75620 | Screw TE for 13163 | 52 |
| 75577 | Compass X Auger for 13163 | 8 | 75599 | Screw for 13163 | 30 | 75621 | Washer for 13163 | 53 |
| 75578 | Pinion Z = 29 1/2 for 13163 | 9 | 75600 | Spring Pin for 13163 | 32 | 75622 | Nut for 13163 | 54 |
| 75579 | Washer for 13163 | 10 | 75601 | Spring Pin for 13163 | 33 | 75623 | Screw TE for 13163 | 55 |
| 75580 | Cam X Microswitch for 13163 | 11 | 75602 | Spring Pin for 13163 | 34 | 75624 | Washer for 13163 | 56 |
| 75581 | Tree X Shelter for 13163 | 12 | 75603 | Bearing for 13163 | 35 | 75625 | Screw TE for 13163 | 57 |
| 75582 | Tree X Reducer for 13163 | 13 | 75604 | Bearing for 13163 | 36 | 75626 | Screw TC for 13163 | 58 |
| 75583 | Pulley Reducer for 13163 | 14 | 75605 | Bearing for 13163 | 37 | 75627 | Screw TE for 13163 | 59 |
| 75584 | Pinion Z = 15 3/8 for 13163 | 15 | 75606 | Washer for 13163 | 38 | 75628 | Screw TCEI for 13163 | 60 |
| 75585 | Motor Pulley for 13163 | 16 | 75607 | Single Chain for 13163 | 39 | 75629 | Nut for 13163 | 61 |
| 75586 | Spring for 13163 | 17 | 75608 | Support SKF for 13163 | 40 | 75630 | Screw TE for 13163 | 62 |
| 75587 | Tree X Motor Mount for 13163 | 18 | 75609 | Reducer R = 1/19 for 13163 | 41 | 75631 | Elastic Ring for 13163 | 63 |
| 75588 | Bush for 13163 | 19 | 75610 | V-Belt for 13163 | 42 | 75632 | Elastic Ring for 13163 | 64 |
| 75589 | Engine Support for 13163 | 20 | 75611 | Single Chain for 13163 | 43 | 75633 | Microswitch for 13163 | 69 |
| 75590 | Support X Basing for 13163 | 21 | 75612 | Elastic Ring for 13163 | 44 | 75634 | Motor for 13163 | 70 |
| 75591 | Tree Basin for 13163 | 22 | 75613 | Tongue for 13163 | 45 | | | |



Parts Breakdown

Model MX-IT-0020-T 13166

| Item No. | Description | Position | Item No. | Description | Position | Item No. | Description | Position |
|----------|------------------------------|----------|----------|----------------------------|----------|----------|------------------------|----------|
| 75570 | Base for 13166 | 1 | 75592 | Crown Z = 85 3/8 for 13166 | 23 | 75614 | Tongue for 13166 | 46 |
| 75571 | Basin for 13166 | 2 | 75593 | Shock Absorber for 13166 | 24 | 75615 | Screw TE for 13166 | 47 |
| 75572 | Auger for 13166 | 3 | 75594 | Rear Protection for 13166 | 25 | 75616 | Screw TE for 13166 | 48 |
| 75573 | Shelter for 13166 | 4 | 75595 | Shelter Tested for 13166 | 26 | 75617 | Screw STEI for 13166 | 49 |
| 75574 | Central Rod for 13166 | 5 | 75596 | Washer for 13166 | 27 | 75618 | Screw TC for 13166 | 50 |
| 75575 | Pinion Z = 15 1/2 for 13166 | 6 | 75597 | Washer for 13166 | 28 | 75619 | Screw TS for 13166 | 51 |
| 75576 | Support X Auger for 13166 | 7 | 75598 | Rod for 13166 | 29 | 75620 | Screw TE for 13166 | 52 |
| 75577 | Compass X Auger for 13166 | 8 | 75599 | Screw for 13166 | 30 | 75621 | Washer for 13166 | 53 |
| 75578 | Pinion Z = 29 1/2 for 13166 | 9 | 75600 | Spring Pin for 13166 | 32 | 75622 | Nut for 13166 | 54 |
| 75579 | Washer for 13166 | 10 | 75601 | Spring Pin for 13166 | 33 | 75623 | Screw TE for 13166 | 55 |
| 75580 | Cam X Microswitch for 13166 | 11 | 75602 | Spring Pin for 13166 | 34 | 75624 | Washer for 13166 | 56 |
| 75581 | Tree X Shelter for 13166 | 12 | 75603 | Bearing for 13166 | 35 | 75625 | Screw TE for 13166 | 57 |
| 75582 | Tree X Reducer for 13166 | 13 | 75604 | Bearing for 13166 | 36 | 75626 | Screw TC for 13166 | 58 |
| 75583 | Pulley Reducer for 13166 | 14 | 75605 | Bearing for 13166 | 37 | 75627 | Screw TE for 13166 | 59 |
| 75584 | Pinion Z = 15 3/8 for 13166 | 15 | 75606 | Washer for 13166 | 38 | 75628 | Screw TCEI for 13166 | 60 |
| 75585 | Motor Pulley for 13166 | 16 | 75607 | Single Chain for 13166 | 39 | 75629 | Nut for 13166 | 61 |
| 75586 | Spring for 13166 | 17 | 75608 | Support SKF for 13166 | 40 | 75630 | Screw TE for 13166 | 62 |
| 75587 | Tree X Motor Mount for 13166 | 18 | 75609 | Reducer R = 1/19 for 13166 | 41 | 75631 | Elastic Ring for 13166 | 63 |
| 75588 | Bush for 13166 | 19 | 75610 | V-Belt for 13166 | 42 | 75632 | Elastic Ring for 13166 | 64 |
| 75589 | Engine Support for 13166 | 20 | 75611 | Single Chain for 13166 | 43 | 75633 | Microswitch for 13166 | 69 |
| 75590 | Support X Basing for 13166 | 21 | 75612 | Elastic Ring for 13166 | 44 | 64832 | Motor for 13166 | 70 |
| 75591 | Tree Basin for 13166 | 22 | 75613 | Tongue for 13166 | 45 | | | |

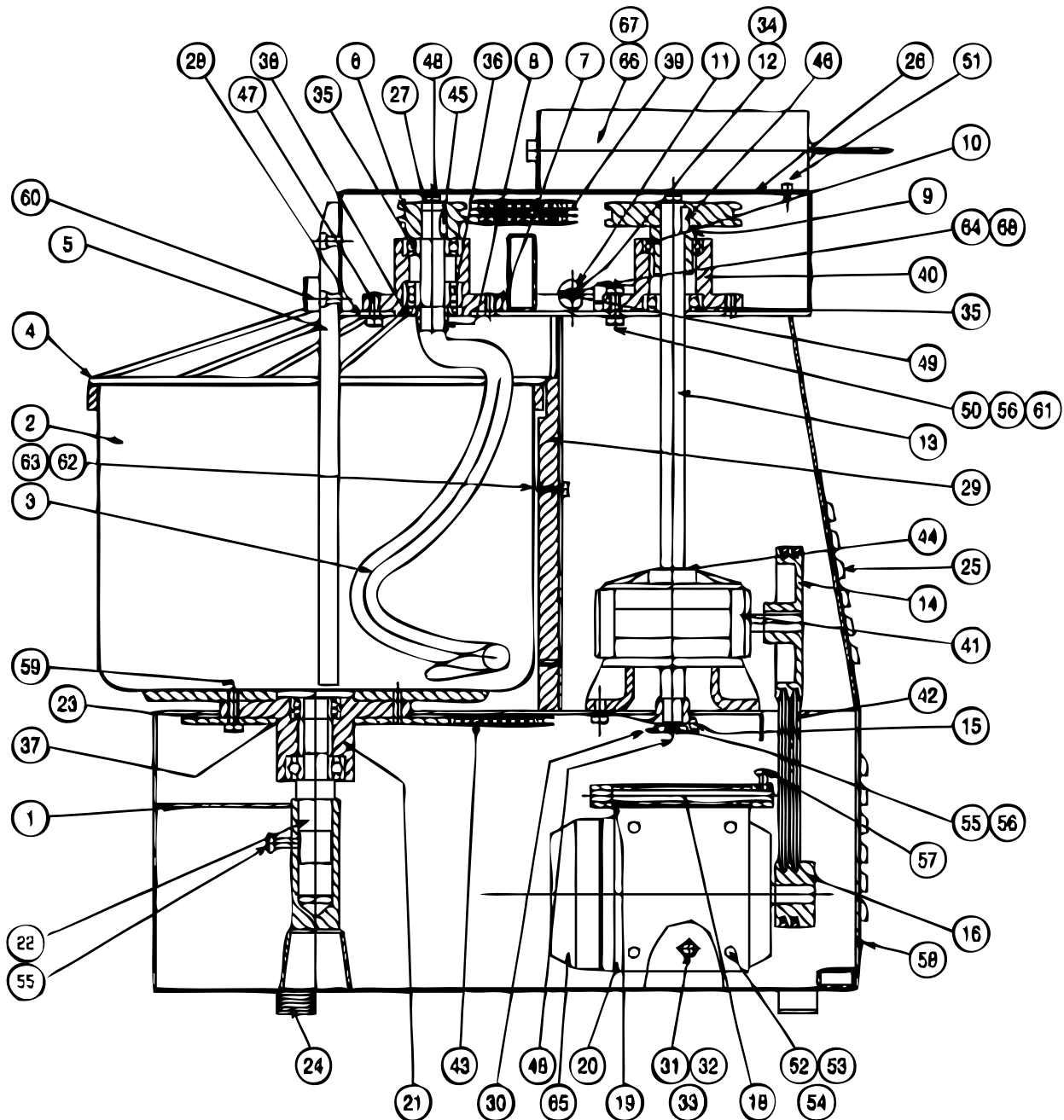
Parts Breakdown

Model MX-IT-0030 13167

Model MX-IT-0030-T 13170

Model MX-IT-0040 13171

Model MX-IT-0040-T 13172





Parts Breakdown

Model MX-IT-0030 13167

| Item No. | Description | Position | Item No. | Description | Position | Item No. | Description | Position |
|----------|------------------------------|----------|----------|---|----------|----------|-------------------------------------|----------|
| 75635 | Base for 13167 | 1 | 75658 | Rear Protection for 13167 | 25 | 75681 | Screw TE for 13167 | 48 |
| 75636 | Basin for 13167 | 2 | 75659 | Shelter Tested for 13167 | 26 | 75682 | Screw STEI for 13167 | 49 |
| 75637 | Auger for 13167 | 3 | 75660 | Washer for 13167 | 27 | 75683 | Screw TE for 13167 | 50 |
| 75638 | Shelter for 13167 | 4 | 75661 | Washer for 13167 | 28 | 75684 | Screw TC for 13167 | 51 |
| 75639 | Central Rod for 13167 | 5 | 75662 | Rod for 13167 | 29 | 75685 | Screw TE for 13167 | 52 |
| 75640 | Pinion for 13167 | 6 | 75663 | Washer for 13167 | 30 | 75686 | Washer for 13167 | 53 |
| 75641 | Support X Auger for 13167 | 7 | 75664 | Washer for 13167 | 31 | 75687 | Nut for 13167 | 54 |
| 75642 | Spacer for 13167 | 8 | 75665 | Screw for 13167 | 32 | 75688 | Screw TE for 13167 | 55 |
| 75643 | Pinion for 13167 | 9 | 75666 | Rod for 13167 | 33 | 75689 | Washer for 13167 | 56 |
| 75644 | Bearing for 13167 | 10 | 75667 | Spring Pin for 13167 | 34 | 75690 | Screw TE for 13167 | 57 |
| 75645 | Cam X Microswitch for 13167 | 11 | 75668 | Bearing for 13167 | 35 | 75691 | Screw TC for 13167 | 58 |
| 75646 | Tree X Shelter for 13167 | 12 | 75669 | Bearing for 13167 | 36 | 75692 | Screw TE for 13167 | 59 |
| 75647 | Tree X Reducer for 13167 | 13 | 75670 | Bearing for 13167 | 37 | 75693 | Screw TCEI for 13167 | 60 |
| 75648 | Pulley Reducer for 13167 | 14 | 75671 | Sealing Ring for 13167 | 38 | 75694 | Nut for 13167 | 61 |
| 75649 | Pinion for 13167 | 15 | 75672 | Double Chain for 13167 | 39 | 75695 | Screw TCEI for 13167 | 62 |
| 75650 | Motor Pulley for 13167 | 16 | 75673 | Support Gear for 13167 | 40 | 75696 | Washer for 13167 | 63 |
| 75651 | Tree X Motor Mount for 13167 | 18 | 75674 | Reducer R = 1/19 for 13167 | 41 | 75697 | Microswitch for 13167 | 64 |
| 75652 | Bush for 13167 | 19 | 75675 | Belt 762 SPZ for Motor 2 Speed Three – Phase 230V for 13167 | 42 | 75698 | Motor for 13167 | 65 |
| 75653 | Engine Support for 13167 | 20 | 75676 | Single Chain for 13167 | 43 | 75699 | Box for Electrical System for 13167 | 66 |
| 75654 | Support X Basin for 13167 | 21 | 75677 | Elastic Ring for 13167 | 44 | 75700 | Wiring for 13167 | 67 |
| 75655 | Tree X Basin for 13167 | 22 | 75678 | Tongue for 13167 | 45 | 75701 | Screw TCTC for 13167 | 68 |
| 75656 | Crown for 13167 | 23 | 75679 | Tongue for 13167 | 46 | 41310 | Overload GE for 13167 | |
| 75657 | Shock Absorber for 13167 | 24 | 75680 | Screw TE for 13167 | 47 | | | |

Parts Breakdown

Model MX-IT-0030-T 13170

| Item No. | Description | Position | Item No. | Description | Position | Item No. | Description | Position |
|----------|------------------------------|----------|----------|---|----------|----------|-------------------------------------|----------|
| 75635 | Base for 13170 | 1 | 75658 | Rear Protection for 13170 | 25 | 75681 | Screw TE for 13170 | 48 |
| 75636 | Basin for 13170 | 2 | 75659 | Shelter Tested for 13170 | 26 | 75682 | Screw STEI for 13170 | 49 |
| 75637 | Auger for 13170 | 3 | 75660 | Washer for 13170 | 27 | 75683 | Screw TE for 13170 | 50 |
| 75638 | Shelter for 13170 | 4 | 75661 | Washer for 13170 | 28 | 75684 | Screw TC for 13170 | 51 |
| 75639 | Central Rod for 13170 | 5 | 75662 | Rod for 13170 | 29 | 75685 | Screw TE for 13170 | 52 |
| 75640 | Pinion for 13170 | 6 | 75663 | Washer for 13170 | 30 | 75686 | Washer for 13170 | 53 |
| 75641 | Support X Auger for 13170 | 7 | 75664 | Washer for 13170 | 31 | 75687 | Nut for 13170 | 54 |
| 75642 | Spacer for 13170 | 8 | 75665 | Screw for 13170 | 32 | 75688 | Screw TE for 13170 | 55 |
| 75643 | Pinion for 13170 | 9 | 75666 | Rod for 13170 | 33 | 75689 | Washer for 13170 | 56 |
| 75644 | Bearing for 13170 | 10 | 75667 | Spring Pin for 13170 | 34 | 75690 | Screw TE for 13170 | 57 |
| 75645 | Cam X Microswitch for 13170 | 11 | 75668 | Bearing for 13170 | 35 | 75691 | Screw TC for 13170 | 58 |
| 75646 | Tree X Shelter for 13170 | 12 | 75669 | Bearing for 13170 | 36 | 75692 | Screw TE for 13170 | 59 |
| 75647 | Tree X Reducer for 13170 | 13 | 75670 | Bearing for 13170 | 37 | 75693 | Screw TCEI for 13170 | 60 |
| 75648 | Pulley Reducer for 13170 | 14 | 75671 | Sealing Ring for 13170 | 38 | 75694 | Nut for 13170 | 61 |
| 75649 | Pinion for 13170 | 15 | 75672 | Double Chain for 13170 | 39 | 75695 | Screw TCEI for 13170 | 62 |
| 75650 | Motor Pulley for 13170 | 16 | 75673 | Support Gear for 13170 | 40 | 75696 | Washer for 13170 | 63 |
| 75651 | Tree X Motor Mount for 13170 | 18 | 75674 | Reducer R = 1/19 for 13170 | 41 | 75697 | Microswitch for 13170 | 64 |
| 75652 | Bush for 13170 | 19 | 75675 | Belt 762 SPZ for Motor 2 Speed Three – Phase 230V for 13170 | 42 | 75698 | Motor for 13170 | 65 |
| 75653 | Engine Support for 13170 | 20 | 75676 | Single Chain for 13170 | 43 | 75699 | Box for Electrical System for 13170 | 66 |
| 75654 | Support X Basin for 13170 | 21 | 75677 | Elastic Ring for 13170 | 44 | 75700 | Wiring for 13170 | 67 |
| 75655 | Tree X Basin for 13170 | 22 | 75678 | Tongue for 13170 | 45 | 75701 | Screw TCTC for 13170 | 68 |
| 75656 | Crown for 13170 | 23 | 75679 | Tongue for 13170 | 46 | 41310 | Overload GE for 13170 | |
| 75657 | Shock Absorber for 13170 | 24 | 75680 | Screw TE for 13170 | 47 | | | |

Parts Breakdown

Model MX-IT-0040 13171

| Item No. | Description | Position | Item No. | Description | Position | Item No. | Description | Position |
|----------|------------------------------|----------|----------|---|----------|----------|--------------------------------------|----------|
| 77029 | Base for 13171 | 1 | 77052 | Rear Protection for 13171 | 25 | 77075 | Screw TE for 13171 | 48 |
| 77030 | Basin for 13171 | 2 | 77053 | Shelter Tested for 13171 | 26 | 77076 | Screw STEI for 13171 | 49 |
| 77031 | Auger for 13171 | 3 | 77054 | Washer for 13171 | 27 | 77077 | Screw TE for 13171 | 50 |
| 77032 | Shelter for 13171 | 4 | 77055 | Washer for 13171 | 28 | 77078 | Screw TC for 13171 | 51 |
| 77033 | Central Rod for 13171 | 5 | 77056 | Rod for 13171 | 29 | 77079 | Screw TE for 13171 | 52 |
| 77034 | Pinion for 13171 | 6 | 77057 | Washer for 13171 | 30 | 77080 | Washer for 13171 | 53 |
| 77035 | Support X Auger for 13171 | 7 | 77058 | Washer for 13171 | 31 | 77081 | Nut for 13171 | 54 |
| 77036 | Spacer for 13171 | 8 | 77059 | Screw for 13171 | 32 | 77082 | Screw TE for 13171 | 55 |
| 77037 | Pinion for 13171 | 9 | 77060 | Rod for 13171 | 33 | 77083 | Washer for 13171 | 56 |
| 77038 | Bearing for 13171 | 10 | 77061 | Spring Pin for 13171 | 34 | 77084 | Screw TE for 13171 | 57 |
| 77039 | Cam X Microswitch for 13171 | 11 | 77062 | Bearing for 13171 | 35 | 77085 | Screw TC for 13171 | 58 |
| 77040 | Tree X Shelter for 13171 | 12 | 77063 | Bearing for 13171 | 36 | 77086 | Screw TE for 13171 | 59 |
| 77041 | Tree X Reducer for 13171 | 13 | 77064 | Bearing for 13171 | 37 | 77087 | Screw TCEI for 13171 | 60 |
| 77042 | Pulley Reducer for 13171 | 14 | 77065 | Sealing Ring for 13171 | 38 | 77088 | Nut for 13171 | 61 |
| 77043 | Pinion for 13171 | 15 | 77066 | Double Chain for 13171 | 39 | 77089 | Screw TCEI for 13171 | 62 |
| 77044 | Motor Pulley for 13171 | 16 | 77067 | Support Gear for 13171 | 40 | 77090 | Washer for 13171 | 63 |
| 77045 | Tree X Motor Mount for 13171 | 18 | 77068 | Reducer R = 1/19 for 13171 | 41 | 77091 | Microswitch for 13171 | 64 |
| 77046 | Bush for 13171 | 19 | 75675 | Belt 762 SPZ for Motor 2 Speed Three – Phase 230V for 13171 | 42 | 75698 | Motor for 13171 | 65 |
| 77047 | Engine Support for 13171 | 20 | 77070 | Single Chain for 13171 | 43 | 77093 | Box for Electrical System for 13171 | 66 |
| 77048 | Support X Basin for 13171 | 21 | 77071 | Elastic Ring for 13171 | 44 | 77094 | Wiring for 13171 | 67 |
| 77049 | Tree X Basin for 13171 | 22 | 77072 | Tongue for 13171 | 45 | 77095 | Screw TCTC for 13171 | 68 |
| 77050 | Crown for 13171 | 23 | 77073 | Tongue for 13171 | 46 | AK401 | Green Start Button 2 Speed for 13171 | 70 |
| 77051 | Shock Absorber for 13171 | 24 | 77074 | Screw TE for 13171 | 47 | 75567 | Stop Button for 13171 | 71 |

Parts Breakdown

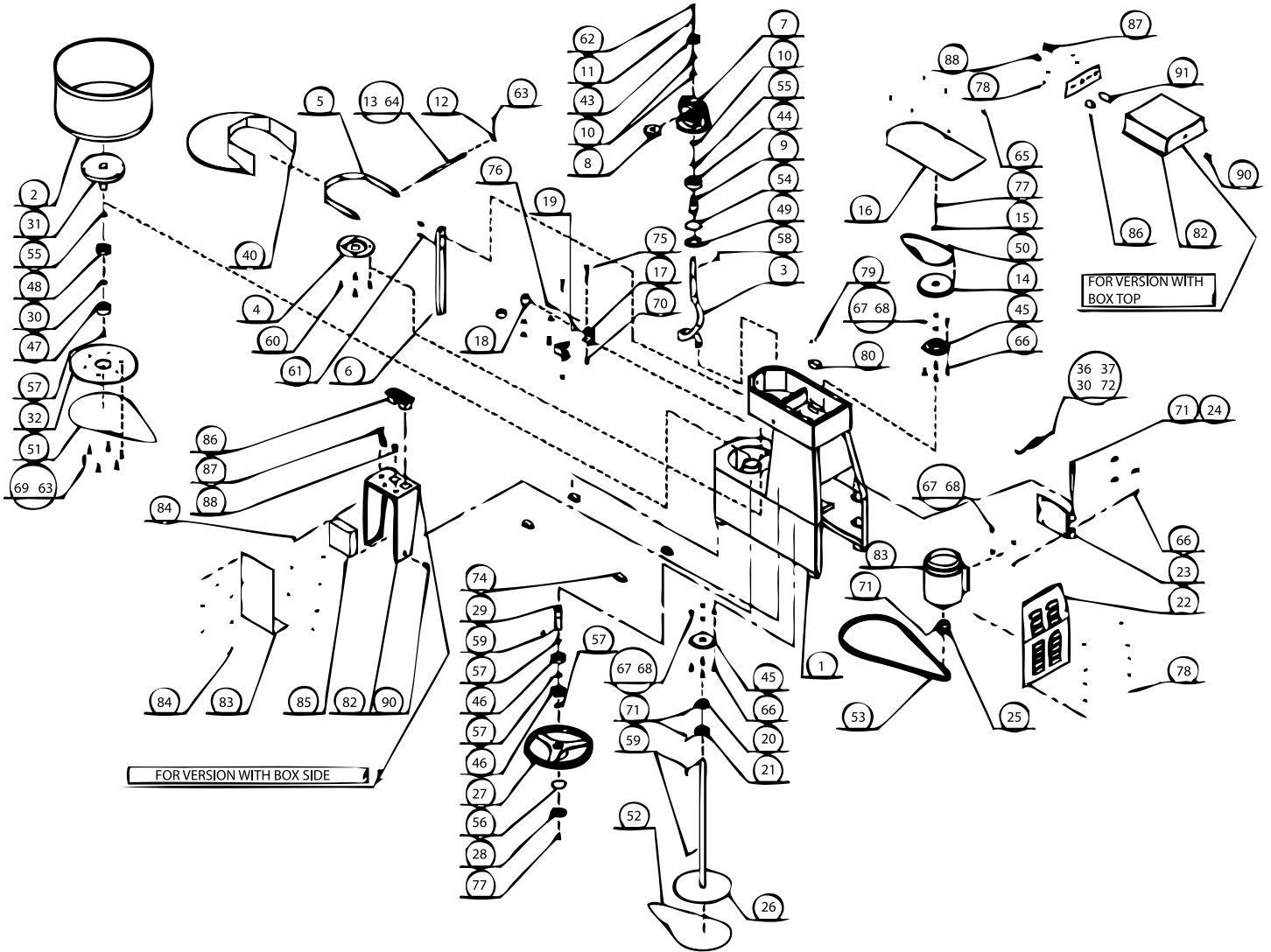
Model MX-IT-0040-T 13172

| Item No. | Description | Position | Item No. | Description | Position | Item No. | Description | Position |
|----------|------------------------------|----------|----------|---|----------|----------|--------------------------------------|----------|
| 77029 | Base for 13172 | 1 | 77053 | Shelter Tested for 13172 | 26 | 77077 | Screw TE for 13172 | 50 |
| 77030 | Basin for 13172 | 2 | 77054 | Washer for 13172 | 27 | 77078 | Screw TC for 13172 | 51 |
| 77031 | Auger for 13172 | 3 | 77055 | Washer for 13172 | 28 | 77079 | Screw TE for 13172 | 52 |
| 77032 | Shelter for 13172 | 4 | 77056 | Rod for 13172 | 29 | 77080 | Washer for 13172 | 53 |
| 77033 | Central Rod for 13172 | 5 | 77057 | Washer for 13172 | 30 | 77081 | Nut for 13172 | 54 |
| 77034 | Pinion for 13172 | 6 | 77058 | Washer for 13172 | 31 | 77082 | Screw TE for 13172 | 55 |
| 77035 | Support X Auger for 13172 | 7 | 77059 | Screw for 13172 | 32 | 77083 | Washer for 13172 | 56 |
| 77036 | Spacer for 13172 | 8 | 77060 | Rod for 13172 | 33 | 77084 | Screw TE for 13172 | 57 |
| 77037 | Pinion for 13172 | 9 | 77061 | Spring Pin for 13172 | 34 | 77085 | Screw TC for 13172 | 58 |
| 77038 | Bearing for 13172 | 10 | 77062 | Bearing for 13172 | 35 | 77086 | Screw TE for 13172 | 59 |
| 77039 | Cam X Microswitch for 13172 | 11 | 77063 | Bearing for 13172 | 36 | 77087 | Screw TCEI for 13172 | 60 |
| 77040 | Tree X Shelter for 13172 | 12 | 77064 | Bearing for 13172 | 37 | 77088 | Nut for 13172 | 61 |
| 77041 | Tree X Reducer for 13172 | 13 | 77065 | Sealing Ring for 13172 | 38 | 77089 | Screw TCEI for 13172 | 62 |
| 77042 | Pulley Reducer for 13172 | 14 | 77066 | Double Chain for 13172 | 39 | 77090 | Washer for 13172 | 63 |
| 77043 | Pinion for 13172 | 15 | 77067 | Support Gear for 13172 | 40 | 77091 | Microswitch for 13172 | 64 |
| 77044 | Motor Pulley for 13172 | 16 | 77068 | Reducer R = 1/19 for 13172 | 41 | 75698 | Motor for 13172 | 65 |
| 77045 | Tree X Motor Mount for 13172 | 18 | 75675 | Belt 762 SPZ for Motor 2 Speed Three – Phase 230V for 13172 | 42 | 77093 | Box for Electrical System for 13172 | 66 |
| 77046 | Bush for 13172 | 19 | 77070 | Single Chain for 13172 | 43 | 77094 | Wiring for 13172 | 67 |
| 77047 | Engine Support for 13172 | 20 | 77071 | Elastic Ring for 13172 | 44 | 77095 | Screw TCTC for 13172 | 68 |
| 77048 | Support X Basin for 13172 | 21 | 77072 | Tongue for 13172 | 45 | 77096 | Timer for 13172 | 69 |
| 77049 | Tree X Basin for 13172 | 22 | 77073 | Tongue for 13172 | 46 | AK401 | Green Start Button 2 Speed for 13172 | 70 |
| 77050 | Crown for 13172 | 23 | 77074 | Screw TE for 13172 | 47 | 75567 | Stop Button for 13172 | 71 |
| 77051 | Shock Absorber for 13172 | 24 | 77075 | Screw TE for 13172 | 48 | | | |
| 77052 | Rear Protection for 13172 | 25 | 77076 | Screw STEI for 13172 | 49 | | | |

Parts Breakdown

Model MX-IT-0050 13173

Model MX-IT-0060 13174



Parts Breakdown

Model MX-IT-0050 13173

| Item No. | Description | Position | Item No. | Description | Position | Item No. | Description | Position |
|----------|---|----------|----------|------------------------------|----------|----------|--------------------------------------|----------|
| 75702 | Base for 13173 | 1 | 75730 | Tree 1 Reduction for 13173 | 29 | 75758 | Screw STEI for 13173 | 63 |
| 75703 | Stainless Steel Bowl for 13173 | 2 | 75731 | Bearing Spacer for 13173 | 30 | 75759 | Spring Pin for 13173 | 64 |
| 75704 | Spiral for 13173 | 3 | 75732 | Shaft of Bowl for 13173 | 31 | 75760 | Screw for 13173 | 65 |
| 75705 | Protection Disc for 13173 | 4 | 75733 | Crown for 13173 | 32 | 75761 | Screw for 13173 | 66 |
| 75706 | Blade Support Shelter for 13173 | 5 | 75734 | Nickel Washer-36 for 13173 | 36 | 75762 | Nut for 13173 | 67 |
| 75707 | Central Rod for 13173 | 6 | 75735 | Tie Belt Tensioner for 13173 | 37 | 75763 | Washer for 13173 | 68 |
| 75708 | Support Spiral for 13173 | 7 | 75736 | Washer Rod for 13173 | 38 | 75764 | Washer for 13173 | 69 |
| 75709 | Pinion Dual 1/2" for 13173 | 8 | 75737 | Shelter in AR for 13173 | 40 | 75765 | Nut for 13173 | 70 |
| 75710 | Shaft for Spiral for 13173 | 9 | 75738 | Bearing for 13173 | 43 | 75766 | Screw for 13173 | 71 |
| 75711 | Spacer Spiral for 13173 | 10 | 75739 | Bearing for 13173 | 44 | 75767 | Nickel Washer for 13173 | 72 |
| 75712 | Washer for 13173 | 11 | 75740 | Support for 13173 | 45 | 75768 | Screw for 13173 | 73 |
| 75713 | Lever Microswitch for 13173 | 12 | 75741 | Bearing for 13173 | 46 | 75769 | Shock Absorber for 13173 | 74 |
| 75714 | Shaft for Blade Support Shelter for 13173 | 13 | 75742 | Bearing for 13173 | 47 | 75770 | Screw for 13173 | 75 |
| 75715 | Pinion Dual 1/2" for 13173 | 14 | 75743 | Bearing for 13173 | 48 | 75771 | Screw for 13173 | 76 |
| 75716 | Washer for 13173 | 15 | 75744 | Ring SMIM 45/80/10 for 13173 | 49 | 75772 | Screw for 13173 | 77 |
| 75717 | Shelter Tested for 13173 | 16 | 75745 | Chain for 13173 | 50 | 75773 | Screw for 13173 | 78 |
| 75718 | Support Roller for 13173 | 17 | 75746 | Single Chain for 13173 | 51 | 75774 | Screw for 13173 | 79 |
| 75719 | Roller Supports Bath tub for 13173 | 18 | 75747 | Single Chain for 13173 | 52 | 75775 | Microswitch for 13173 | 80 |
| 75720 | Spacer Roller for 13173 | 19 | 75748 | V-Belt for 13173 | 53 | 75776 | Electric Motor for 13173 | 81 |
| 75721 | Pinion 1/2 Inches Simple for 13173 | 20 | 75749 | Elastic Ring for 13173 | 54 | 75777 | Electric Box for 13173 | 82 |
| 75722 | Disk Support Chain for 13173 | 21 | 75750 | Elastic Ring for 13173 | 55 | 75778 | Cater Electrical Box for 13173 | 83 |
| 75723 | Sheltered Rear Vertical for 13173 | 22 | 75751 | Elastic Ring for 13173 | 56 | 75779 | Screw for 13173 | 84 |
| 75724 | Engine Support for 13173 | 23 | 75752 | Elastic Ring for 13173 | 57 | 75780 | Wiring for 13173 | 85 |
| 75725 | Pin X Motor Mount for 13173 | 24 | 75753 | Tongue for 13173 | 58 | 75781 | Watches for 13173 | 86 |
| 75726 | Motor Pulley for 13173 | 25 | 75754 | Tongue for 13173 | 59 | 75782 | Stop Button for 13173 | 87 |
| 75727 | Tree + Crown for 13173 | 26 | 75755 | Screw TE for 13173 | 60 | AK401 | Green Start Button 2 Speed for 13173 | 88 |
| 75728 | Pulley + Pinion for 13173 | 27 | 75756 | Screw TCEI for 13173 | 61 | 75784 | Fairlead for 13173 | 89 |
| 75729 | Disk Support Chain Sheet for 13173 | 28 | 75757 | Screw TE for 13173 | 62 | | | |



Parts Breakdown

Model MX-IT-0060 13174

| Item No. | Description | Position | Item No. | Description | Position | Item No. | Description | Position |
|----------|---|----------|----------|--|----------|----------|--|----------|
| 77097 | Base for 13174 | 1 | 77125 | Tree 1 Reduction for 13174 | 29 | 77153 | Screw STEI for 13174 | 63 |
| 77098 | Bowl Stainless Steel for 13174 | 2 | 77126 | Bearing Spacer for 13174 | 30 | 77154 | Spring Pin for 13174 | 64 |
| 77099 | Spiral for 13174 | 3 | 77127 | Shaft Bathtub for 13174 | 31 | 77155 | Screw for 13174 | 65 |
| 77100 | Protection Disc for 13174 | 4 | 77128 | Crown for 13174 | 32 | 77156 | Screw for 13174 | 66 |
| 77101 | Blade Support Shelter for 13174 | 5 | 77129 | Nickel Washer for 13174 | 36 | 77157 | Nut for 13174 | 67 |
| 77102 | Central Rod for 13174 | 6 | 77130 | Tie Belt Tensioner for 13174 | 37 | 77158 | Washer for 13174 | 68 |
| 77103 | Support Spiral for 13174 | 7 | 77131 | Washer Rod for 13174 | 38 | 77159 | Washer for 13174 | 69 |
| 77104 | Pinion Dual 1/2" for 13174 | 8 | 77132 | Shelter in AR (Metal Guard) for 13174 | 40 | 77160 | Nut for 13174 | 70 |
| 77105 | Shaft for Spiral for 13174 | 9 | 77133 | Bearing for 13174 | 43 | 77161 | Screw for 13174 | 71 |
| 77106 | Spacer Spiral for 13174 | 10 | 77134 | Bearing for 13174 | 44 | 77162 | Nickel Washer for 13174 | 72 |
| 77107 | Washer for 13174 | 11 | 77135 | Support for 13174 | 45 | 77163 | Screw for 13174 | 73 |
| 77108 | Lever Microswitch for 13174 | 12 | 77136 | Bearing for 13174 | 46 | 77164 | Shock Absorber for 13174 | 74 |
| 77109 | Shaft for Blade Support Shelter for 13174 | 13 | 77137 | Bearing for 13174 | 47 | 77165 | Screw for 13174 | 75 |
| 77110 | Pinion Dual 1/2" for 13174 | 14 | 77138 | Bearing for 13174 | 48 | 77166 | Screw for 13174 | 76 |
| 77111 | Washer for 13174 | 15 | 77139 | Ring SMIM 45/80/10 for 13174 | 49 | 77167 | Screw for 13174 | 77 |
| 77112 | Shelter Tested for 13174 | 16 | 77140 | Head Chain 1/2 Double 70 Steps for 13174 | 50 | 77168 | Screw for 13174 | 78 |
| 77113 | Support Roller for 13174 | 17 | 77141 | Single Shaft Chain 115 Steps for 13174 | 51 | 77169 | Screw for 13174 | 79 |
| 77114 | Roller Supports Bathtub for 13174 | 18 | 77142 | Single Bowl Chain 117 Steps for 13174 | 52 | 77170 | Microswitch for 13174 | 80 |
| 77115 | Spacer Roller for 13174 | 19 | 77143 | V-Belt for 13174 | 53 | 77171 | Electric Motor for 13174 | 81 |
| 77116 | Pinion 1/2" Simple for 13174 | 20 | 77144 | Elastic Ring for 13174 | 54 | 77172 | Electric Box (Electrical Installation V. 208/3/60 2 Speed) for 13174 | 82 |
| 77117 | Disk Support Chain for 13174 | 21 | 77145 | Elastic Ring for 13174 | 55 | 77173 | Cater Electrical Box for 13174 | 83 |
| 77118 | Sheltered Rear Vertical for 13174 | 22 | 77146 | Elastic Ring for 13174 | 56 | 77174 | Screw for 13174 | 84 |
| 77119 | Engine Support for 13174 | 23 | 77147 | Elastic Ring for 13174 | 57 | 77175 | Wiring for 13174 | 85 |
| 77120 | Pin X Motor Mount for 13174 | 24 | 77148 | Tongue for 13174 | 58 | 77176 | Watches (Timer with Knob) for 13174 | 86 |
| 77121 | Motor Pulley for 13174 | 25 | 77149 | Tongue for 13174 | 59 | 77177 | Stop Button for 13174 | 87 |
| 77122 | Tree + Crown for 13174 | 26 | 77150 | Screw TE for 13174 | 60 | AK401 | Green Start Button 2 Speed for 13174 | 88 |
| 77123 | Pulley + Pinion for 13174 | 27 | 77151 | Screw TCEI for 13174 | 61 | 77179 | Fairlead for 13174 | 89 |
| 77124 | Disk Support Chain Sheet for 13174 | 28 | 77152 | Screw TE for 13174 | 62 | | | |

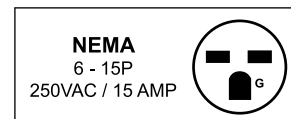
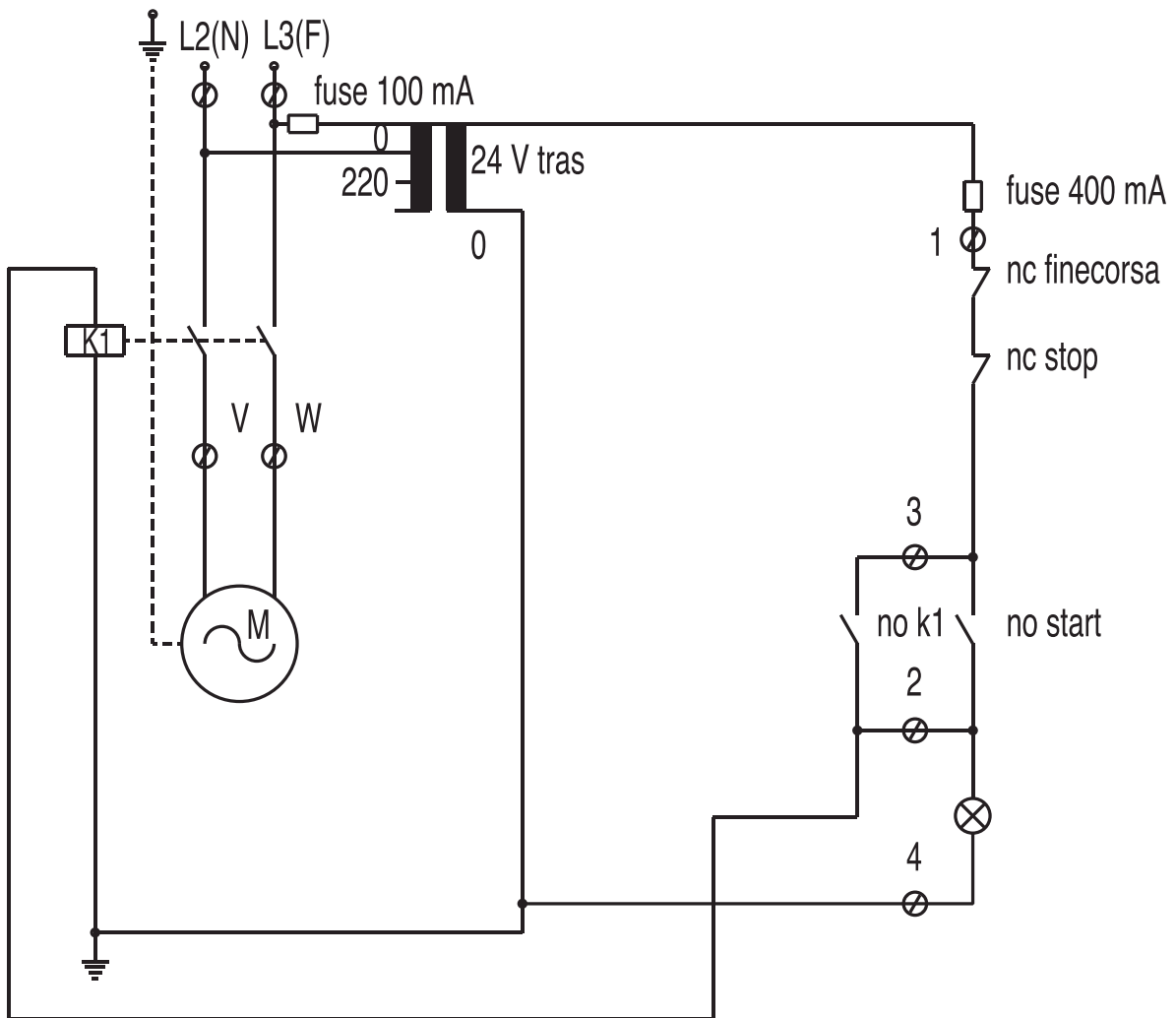
Electrical Schematics

Model MX-IT-0010 13160

Model MX-IT-0020 13163

Model MX-IT-0030 13167

Model MX-IT-0040 13171



Electrical Schematics

Model MX-IT-0010-T 13162

Model MX-IT-0010-D 18637

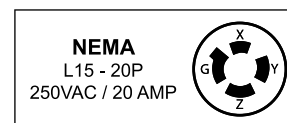
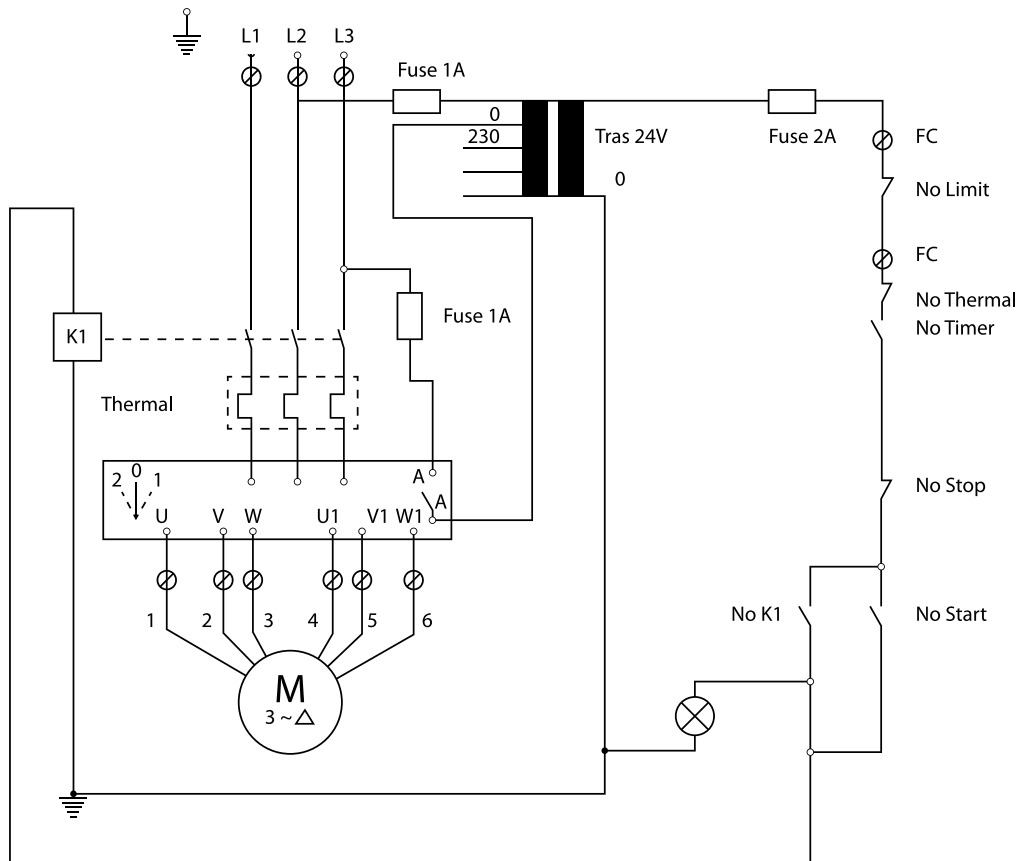
Model MX-IT-0020-T 13166

Model MX-IT-0030-T 13170

Model MX-IT-0040-T 13172

Model MX-IT-0050 13173

Model MX-IT-0060 13174





Warranty Registration

Thank you for purchasing an Omcan product. To register your warranty for this product, complete the information below, tear off the card at the perforation and then send to the address specified below. You can also register online by visiting:

Merci d'avoir acheté un produit Omcan. Pour enregistrer votre garantie pour ce produit, complétez les informations ci-dessous, détachez la carte au niveau de la perforation, puis l'envoyer à l'adresse spécifiée ci-dessous. Vous pouvez également vous inscrire en ligne en visitant:

Gracias por comprar un producto Omcan usted. Para registrar su garantía para este producto, complete la información a continuación, cortar la tarjeta en la perforación y luego enviarlo a la dirección indicada a continuación. También puede registrarse en línea en:

<https://omcan.com/warranty-registration/>

For mailing in Canada

Pour postale au Canada

Por correo en Canadá

OMCAN

PRODUCT WARRANTY REGISTRATION

3115 Pepper Mill Court,

Mississauga, Ontario

Canada, L5L 4X5

For mailing in the US

Pour diffusion aux États-Unis

Por correo en los EE.UU.

OMCAN

PRODUCT WARRANTY REGISTRATION

4450 Witmer Industrial Estates, Unit 4,

Niagara Falls, New York

USA, 14305

or email to: service@omcan.com



Purchaser's Information

Name: _____

Address: _____

City: _____ Province or State: _____ Postal or Zip: _____

Country: _____

Dealer from which Purchased: _____

Dealer City: _____ Dealer Province or State: _____

Invoice: _____

Model Name: _____ Model Number: _____

Machine Description: _____

Date of Purchase (MM/DD/YYYY): _____

Would you like to extend the warranty? Yes No

Company Name: _____

Telephone: _____

Email Address: _____

Type of Company:

Restaurant Bakery Deli

Butcher Supermarket Caterer

Institution (*specify*): _____

Other (*specify*): _____

Serial Number: _____

Date of Installation (MM/DD/YYYY): _____

Thank you for choosing Omcan | Merci d'avoir choisi Omcan | Gracias por elegir Omcan



Since 1951 Omcan has grown to become a leading distributor of equipment and supplies to the North American food service industry. Our success over these many years can be attributed to our commitment to strengthen and develop new and existing relationships with our valued customers and manufacturers. Today with partners in North America, Europe, Asia and South America, we continually work to improve and grow the company. We strive to offer customers exceptional value through our qualified local sales and service representatives who provide convenient access to over 6,500 globally sourced products.

Depuis 1951 Omcan a grandi pour devenir un des “leaders” de la distribution des équipements et matériel pour l’industrie des services alimentaires en Amérique du Nord. Notre succès au cours de ces nombreuses années peut être attribué à notre engagement à renforcer et à développer de nouvelles et existantes relations avec nos clients et les fabricants de valeur. Aujourd’hui avec des partenaires en Amérique du Nord, Europe, Asie et Amérique du Sud, nous travaillons continuellement à améliorer et développer l’entreprise. Nous nous efforçons d’offrir à nos clients une valeur exceptionnelle grâce à nos ventes locales qualifiées et des représentants de service qui offrent un accès facile à plus de 6500 produits provenant du monde entier.

Desde 1951 Omcan ha crecido hasta convertirse en un líder en la distribución de equipos y suministros de alimentos en América del Norte industria de servicios. Nuestro éxito en estos años se puede atribuir a nuestro compromiso de fortalecer y desarrollar nuevas relaciones existentes con nuestros valiosos clientes y fabricantes. Hoy con socios de América del Norte, Europa, Asia y América del Sur, que trabajan continuamente para mejorar y crecer la empresa. Nos esforzamos por ofrecer a nuestros clientes valor excepcional a través de nuestro local de ventas y representantes de los servicios que proporcionan un fácil acceso a más de 6,500 productos con origen a nivel mundial.

