



**Display Warmers**  
*Models DW-CN-0120, 0160*  
*Item 39535, 39536*  
**Instruction Manual**

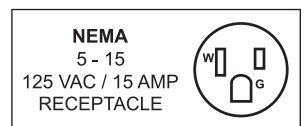


**STOP**  
**DO NOT RETURN**  
**THIS PRODUCT TO THE STORE**  
For questions or assistance with this product call OMCAN Toll Free:  
1 800 465 0234  
Customer Service  
or  
visit the Support section of  
[www.omcan.com](http://www.omcan.com)

*Revised - 08/05/2021*



Toll Free: 1-800-465-0234  
Fax: 905-607-0234  
Email: [service@omcan.com](mailto:service@omcan.com)  
[www.omcan.com](http://www.omcan.com)



# ***Table of Contents***

Model DW-CN-0120 / Model DW-CN-0160

---

<b>Section</b>	<b>Page</b>
General Information -----	3 - 4
Safety and Warranty -----	4 - 6
Technical Specifications -----	6
Installation -----	6
Operation -----	7
Maintenance -----	7 - 8
Parts Breakdown -----	9 - 12
Electrical Schematics -----	13
Notes -----	14
Warranty Registration -----	15



# General Information

---

Omcan Manufacturing and Distributing Company Inc., Food Machinery of America, Inc. dba Omcan and Omcan Inc. are not responsible for any harm or injury caused due to any person's improper or negligent use of this equipment. The product shall only be operated by someone over the age of 18, of sound mind, and not under the influence of any drugs or alcohol, who has been trained in the correct operation of this machine, and is wearing authorized, proper safety clothing. Any modification to the machine voids any warranty, and may cause harm to individuals using the machine or in the vicinity of the machine while in operation.

## CHECK PACKAGE UPON ARRIVAL

Upon receipt of an Omcan shipment please inspect for external damage. If no damage is evident on the external packaging, open carton to ensure all ordered items are within the box, and there is no concealed damage to the machine. If the package has suffered rough handling, bumps or damage (visible or concealed), please note it on the bill of lading before accepting the delivery and contact Omcan within 24 hours, so we may initiate a claim with the carrier. A detailed report on the extent of the damage caused to the machine must be filled out within three days, from the delivery date shown in the shipping documents. Omcan has no recourse for damaged products that were shipped collect or third party.

**Before operating any equipment, always read and familiarize yourself with all operation and safety instructions.**

Omcan would like to thank you for purchasing this machine. It's of the utmost importance to save these instructions for future reference. Also save the original box and packaging for shipping the equipment if servicing or returning of the machine is required.

---

Omcan Fabrication et distribution Compagnie Limitée et Food Machinery d'Amérique, dba Omcan et Omcan Inc. ne sont pas responsables de tout dommage ou blessure causé du fait que toute personne ait utilisé cet équipement de façon irrégulière. Le produit ne doit être exploité que par quelqu'un de plus de 18 ans, sain d'esprit, et pas sous l'influence d'une drogue ou d'alcool, qui a été formé pour utiliser cette machine correctement, et est vêtu de vêtements de sécurité appropriés. Toute modification de la machine annule toute garantie, et peut causer un préjudice à des personnes utilisant la machine ou des personnes à proximité de la machine pendant son fonctionnement.

## VÉRIFIEZ LE COLIS DÈS RÉCEPTION

Dès réception d'une expédition d'Omcan veuillez inspecter pour dommages externes. Si aucun dommage n'est visible sur l'emballage externe, ouvrez le carton afin de s'assurer que tous les éléments commandés sont dans la boîte, et il n'y a aucun dommage dissimulé à la machine. Si le colis n'a subi aucune mauvaises manipulations, de bosses ou de dommages (visible ou cachée), notez-le sur le bond de livraison avant d'accepter la livraison et contactez Omcan dans les 24 heures qui suivent, pour que nous puissions engager une réclamation auprès du transporteur. Un rapport détaillé sur l'étendue des dommages causés à la machine doit être rempli dans un délai de trois jours, à compter de la date de livraison indiquée dans les documents d'expédition. Omcan n'a aucun droit de recours pour les produits endommagés qui ont été expédiés ou cueilli par un tiers transporteur.

# General Information

---

Avant d'utiliser n'importe quel équipement, toujours lire et vous familiariser avec toutes les opérations et les consignes de sécurité.

Omcan voudrais vous remercier d'avoir choisi cette machine. Il est primordial de conserver ces instructions pour une référence ultérieure. Également conservez la boîte originale et l'emballage pour l'expédition de l'équipement si l'entretien ou le retour de la machine est nécessaire.

---

Omcan Empresa De Fabricacion Y Distribucion Inc. Y Maquinaria De Alimentos De America, Inc. dba Omcan y Omcan Inc. no son responsables de ningun daño o perjuicio causado por cualquier persona inadecuada o el uso descuidado de este equipo. El producto solo podra ser operado por una persona mayor de 18 años, en su sano juicio y no bajo alguna influencia de droga o alcohol, y que este ha sido entrenado en el correcto funcionamiento de esta máquina, y ésta usando ropa apropiada y autorizada. Cualquier modificación a la máquina anula la garantía y puede causar daños a las personas usando la máquina mientras esta en el funcionamiento.

## REVISE EL PAQUETE A SU LLEGADA

Tras la recepcion de un envio Omcan favor inspeccionar daños externos. Si no hay daños evidentes en el empaque exterior, Habra el carton para asegurarse que todos los articulos solicitados estén dentro de la caja y no encuentre daños ocultos en la máquina. Si el paquete ha sufrido un manejo de poco cuidado, golpes o daños (visible o oculto) por favor anote en la factura antes de aceptar la entrega y contacte Omcan dentro de las 24 horas, de modo que podamos iniciar una reclamación con la compañía. Un informe detallado sobre los daños causados a la máquina debe ser llenado en el plazo de tres días, desde la fecha de entrega que se muestra en los documentos de envío. Omcan no tiene ningun recurso por productos dañados que se enviaron a recoger por terceros.

Antes de utilizar cualquier equipo, siempre lea y familiarizarse con todas las instrucciones de funcionamiento y seguridad.

Omcan le gustaría darle las gracias por la compra de esta máquina. Es de la mayor importancia para salvar estas instrucciones para futuras consultas. Además, guarda la caja original y el embalaje para el envío del equipo si servicio técnico o devolución de la máquina que se requiere.

# Safety and Warranty

---

- To prevent hazards and to ensure optimum efficiency, no modifications or alterations to the device that are not explicitly approved by the manufacturer may be undertaken. This device may only be operated in technically proper and safe conditions.
- The device should never be left unattended during operation. Keep children away.
- Preserve this manual safely. When passing on/selling the device to a third party, the manual must be handed over along with the device.
- Every person using the device must act in accordance to the manuals and under consideration of the



# Safety and Warranty

safety advice.

- The device is to be used indoors only.
- Any technical interventions, as well as assembly and maintenance are to be made by a qualified customer service only.
- This appliance is not intended for use by persons (including children) with reduced physical, sensory or mental capabilities, or lack of experience and knowledge, unless they have been given supervision or instruction concerning use of the appliance by a person responsible for their safety.
- Children should be supervised to ensure that they do not play with the appliance.

**Do not run this unit for extended periods of time, it is not designed to cook food.**

## PREPARATION AND POWER SUPPLY

<p><b>Exclusive power outlet</b> The power outlet must be in close proximity to the ground.</p>	<p><b>No shared power outlets</b> Warmer cable should never share the power outlet with any other appliance, as cable will overheat and may result in a fire.</p>
<p><b>Protect cables</b> Extra caution should be used when handling cables, as broken or damaged cables can cause sparking and may result in a fire.</p>	<p><b>No water flushing</b> Never flush the warmer surface. This can cause leakage, which may result in electrical damage or fire.</p>
<p><b>Never store flammables and explosives</b> No explosives or flammables should be stored in, or in proximity to, the warmer, such as gasoline, alcohol, and adhesives.</p>	

Omcan display warmers are engineered and designed to maintain previously cooked foods at serving temperatures. Improper use of this machine’s maximum temperature for extended periods of time, in an attempt to thoroughly cook food products, is prohibited. Such operation will void the manufacturer’s warranty and may result in under cooked and therefore unsafe food.

**RESIDENTIAL USERS: Vendor assumes no liability for parts or labor coverage for component failure or other damages resulting from installation in non-commercial or residential applications. The right is reserved to deny shipment for residential usage; if this occurs, you will be notified as soon as possible.**

## 1 YEAR PARTS AND LABOUR WARRANTY

Within the warranty period, contact Omcan Inc. at 1-800-465-0234 to schedule an Omcan authorized service technician to repair the equipment locally.

Unauthorized maintenance will void the warranty. Warranty covers electrical and part failures, not improper use.

Please see <https://omcan.com/disclaimer> for complete info.

# Safety and Warranty

---

## WARNING:

The packaging components are classified as normal solid urban waste and can therefore be disposed of without difficulty.

In any case, for suitable recycling, we suggest disposing of the products separately (differentiated waste) according to the current norms.

**DO NOT DISCARD ANY PACKAGING MATERIALS IN THE ENVIRONMENT!**

# Technical Specifications

---

Model	DW-CN-0120	DW-CN-0160
Capacity	120 L / 4.24 cu. ft.	160 L / 5.65 cu. ft.
Shelf Dimensions	25" x 13" / 636 x 335mm	32" x 13" / 813 x 335mm
	25" x 14.5" / 636 x 367mm	32" x 14.5" / 813 x 367mm
	25" x 15.7" / 636 x 398mm	32" x 15.7" / 813 x 398mm
Total Power Input	1100 W	1530 W
Electrical	110V / 60Hz	
Storage Temperature	30 - 90°C / 86 - 194°F	
Dimensions	26.7" x 22.4" x 27" 678 x 568 x 686mm	33.7" x 22.4" x 27" 856 x 568 x 686mm
Packaging Dimensions	29.5" x 24.7" x 28.8" / 749 x 627 x 731mm	36.5" x 24.7" x 28.8" / 928 x 627 x 731
Weight	77.2 lbs. / 35 kgs.	94.8 lbs. / 43 kgs.
Packaging Weight	83.8 lbs. / 38 kgs.	101.4 lbs. / 46 kgs.
Item Number	39535	39536

# Installation

---

- Place the device on top of an even surface which supports the weight of the device and is not heat sensitive.
- The device should never be placed on a flammable surface (such as table cloth, carpet, ect).
- You must not position the device near open fireplaces, electric ovens, arc furnaces/electric heaters or other heat sources.
- Position the device in such a way that the plug is easily accessible.

# Operation

---

- Before first use, clean the inner sides and the shelves with a soft cloth and a mild cleaning agent. Afterwards, dry the device thoroughly.
- Remove the water bowl from the device. The water bowl is installed inside the device and then fill the water bowl with water.
- Connect the device to a single grounded power socket.
- Set the temperature as required for respective foods. You may adjust the desired temperature in the range between 30°C-90°C / 86°F-194°F.
- The temperature inside of the hot display can be read from the front display.
- Put the foods in appropriate containers before placing them inside the hot display and shut it by using the sliding door.
- Some of the device parts become very hot, always use safety gloves when placing or removing foods.
- The foods are kept warm at the temperature set by you previously.
- In order to place or remove foods, you may open the door at rear side.
- Switch on the inner light when required using the light switch of the device.
- Disconnect the device from the power socket when the device is not in use.

# Maintenance

---

- Before beginning with repair or cleaning, make sure the device has been disconnected from the power socket and has cooled down.
- Do not use any acid agents and make sure no water enters the device.
- To protect yourself from the electric shock, never immerse the device, its cables or plug in water, or other liquids.
- Do not use any kind of pressure washer jet for cleaning the device.

## CLEANING

- The device should be cleaned regularly.
- Clean the device from the inside and outside with a soft, damp cloth and a mild cleaning agent.
- Clean the shelves and the housing with a soft, damp cloth and a mild cleaning agent.
- Clean the water bowl regularly. Calcifications on the water bowl may be removed with common agents or liquids.
- Only use a soft cloth and make sure you never use any kind of abrasive agents or pads which could scratch the surface.
- After the cleaning procedure, you should use a soft, dry cloth to wipe dry and polish the surface.
- Make sure the device has been cleaned properly before storing it in a dry place.

## MAINTENANCE

- Check the mains lead from time to time to ensure it is not damaged in any way. Never use the device if the lead is damaged. If the lead is damaged, it must be replaced by a qualified electrician.
- Only a qualified technician should carry out repairs and maintenance of the device. Do not attempt to repair

# ***Maintenance***

---

the device by yourself.

## **CAUTIONS**

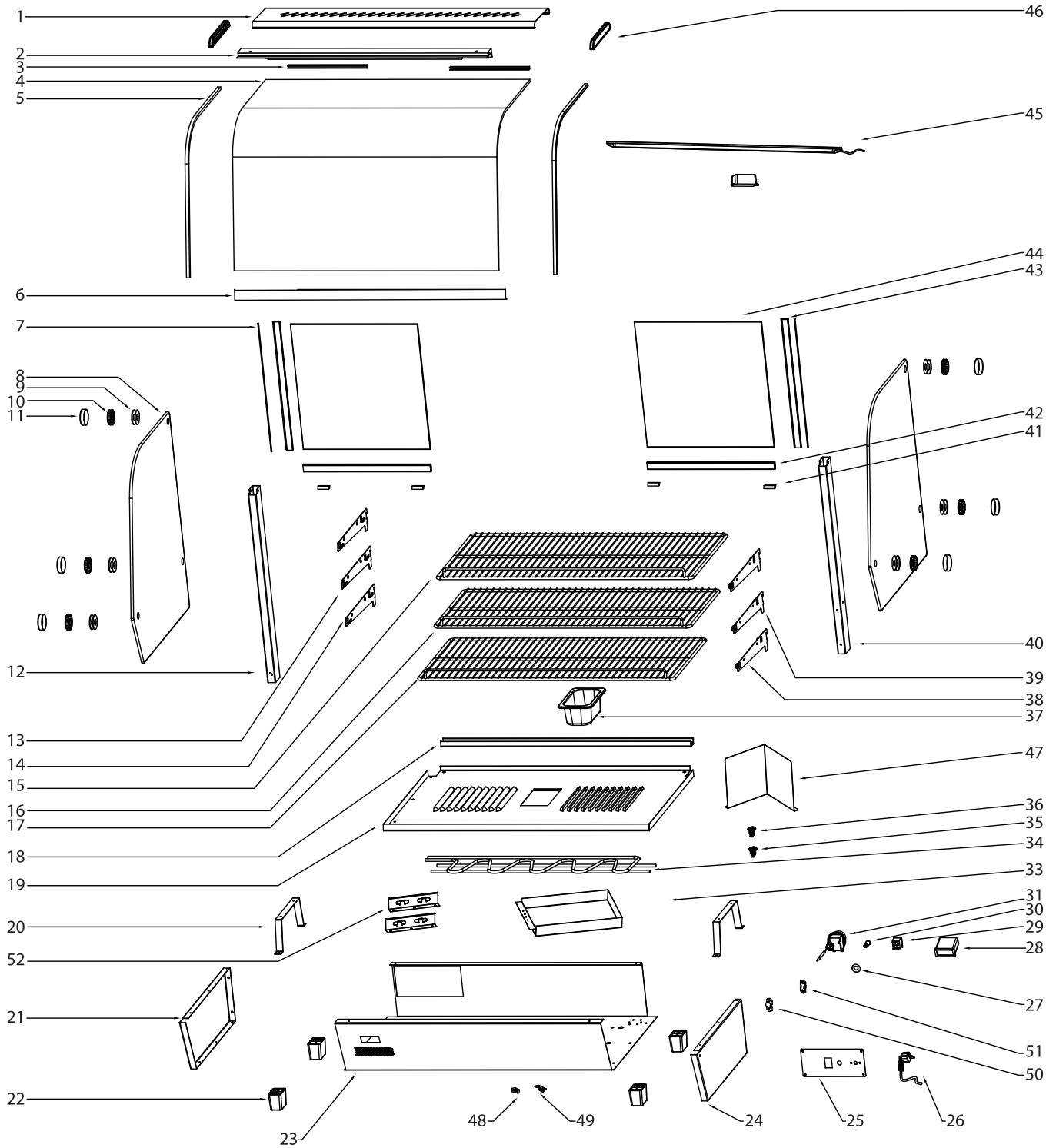
Children should be supervised to ensure that they do not play with the appliance.

- If the supply cord is damaged, it must be replaced by the manufacturer, its service agent or similarly qualified persons in order to avoid a hazard.



# Parts Breakdown

Model DW-CN-0120 39535



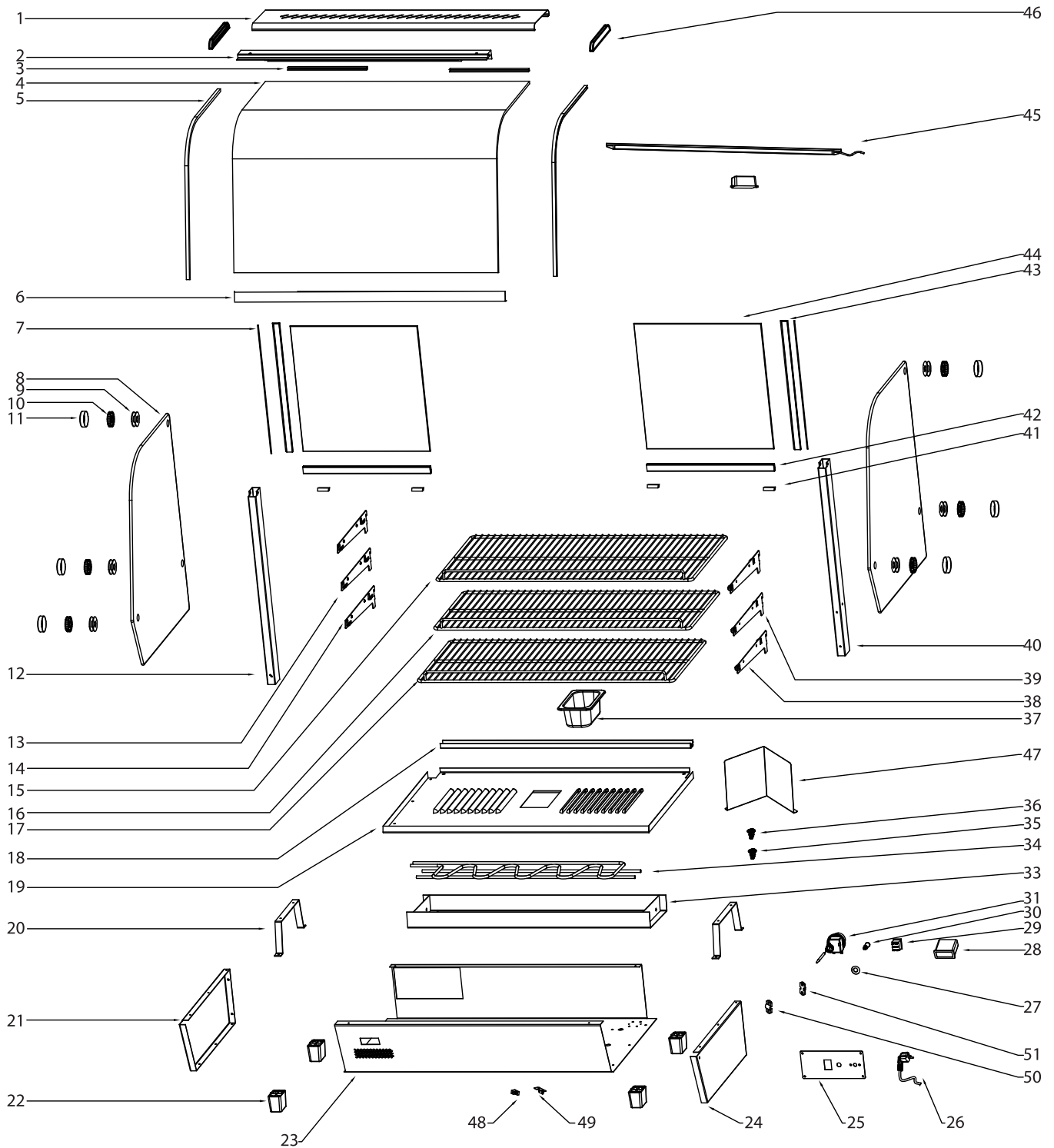
# Parts Breakdown

## Model DW-CN-0120 39535

Item No.	Description	Position	Item No.	Description	Position	Item No.	Description	Position
AD847	Stainless Light Cover for 39535	1	AD855	Sliding Door Track for 39535	18	71661	Control 150°C for 39535	36
AD848	Sliding Glass Track for 39535	2	AD856	Radiator Bottom Plate for 39535	19	71658	1/9 GN Pan for 39535	37
AD849	Sealing Strip for 39535	3	71657	Heater Brace for 39535	20	71653	Right Small Bracket for 39535	38
AD850	Curved Front Glass for 39535	4	71651	Left Panel for 39535	21	67314	Bottom Shelf Bracket Right for 39535	39
AD851	Sealing Strip (Thin) for 39535	5	AD857	Base Feet for 39535	22	71656	Right Pillar for 39535	40
AD852	Sealing Strip for 39535	6	AD858	Stainless Housing for 39535	23	71639	Door Wheel for 39535	41
AD853	Sealing Strip for 39535	7	71649	Right Panel for 39535	24	AD863	Door Metal Insert for 39535	42
71650	Side Glass for 39535	8	AD859	Control Panel for 39535	25	AD864	Door Handle for 39535	43
71641	Decoration Nut Gasket for 39535	9	AA045	Power Cord for 39535	26	AD865	Door Glass for 39535	44
79313	Nut Gasket for 39535	10	AD860	Light Gasket for 39535	27	AD866	LED Light Bar for 39535	45
79312	Nut Decoration for 39535	11	70686	Temperature Display for 39535	28	AD867	Side Board for Light Cover for 39535	46
71648	Left Pillar for 39535	12	71644	On/Off Switch for 39535	29	AD868	Panel for 39535	47
67313	Bottom Shelf Bracket Left for 39535	13	60218	Indicator Light for 39535	30	AD869	Steel Ingot for 39535	48
71652	Left Small Bracket for 39535	14	71640	Temperature Thermostat for 39535	31	AD870	Fixed Plate for 39535	49
30757	Shelf 2 for 39535	15	AD861	Chassis of Heater for 39535	33	61245	Wire Clip Cover for 39535	50
30756	Shelf 1 for 39535	16	AD862	V Shaped Heating Element for 39535	34	61246	Wire Clip Holder for 39535	51
AD854	Shelf 3 for 39535	17	71662	Control 125°C for 39535	35	67333	Heater Brace for 39535	52

# Parts Breakdown

Model DW-CN-0160 39536



# Parts Breakdown

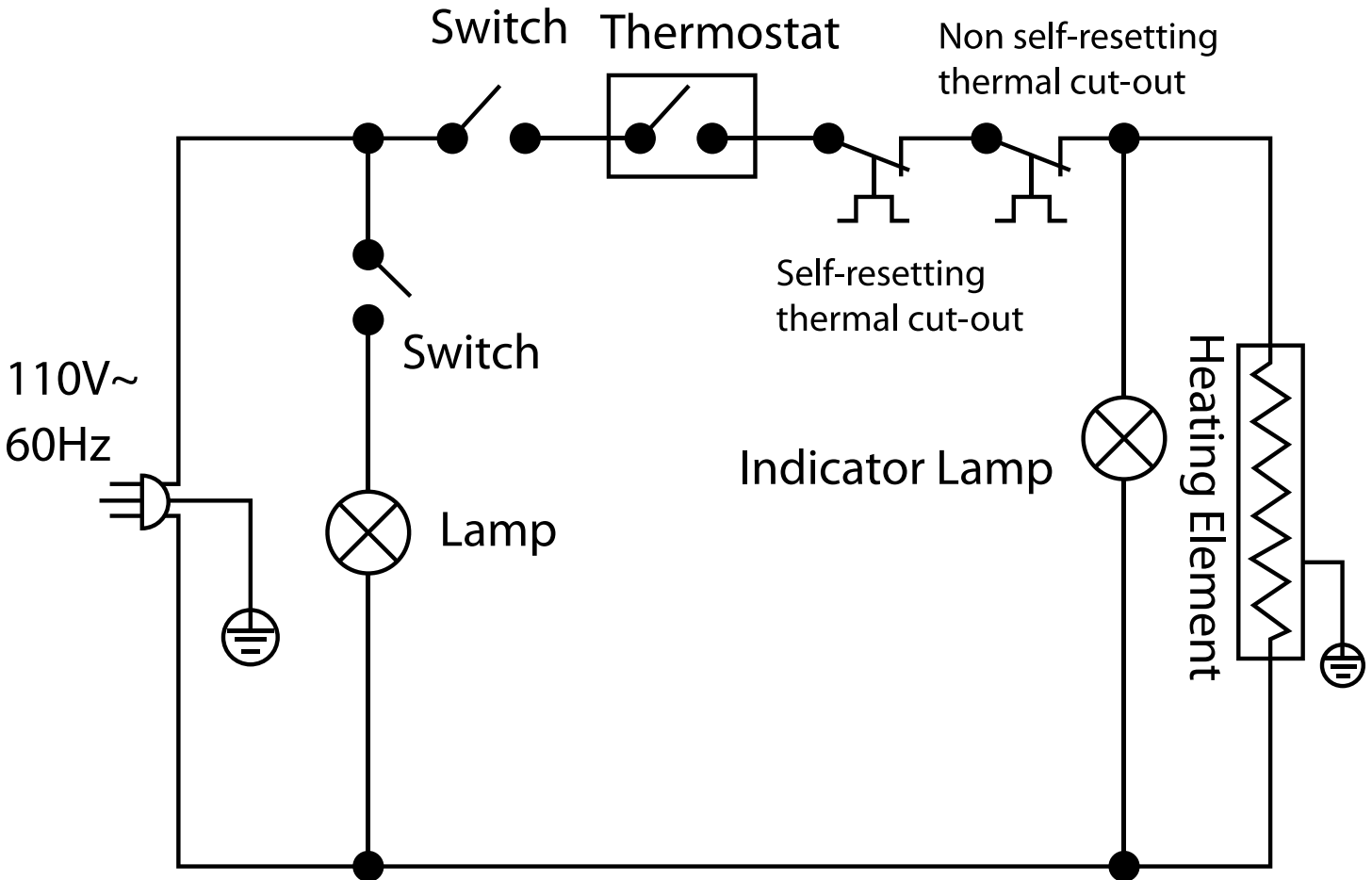
## Model DW-CN-0160 39536

Item No.	Description	Position	Item No.	Description	Position	Item No.	Description	Position
71680	Stainless Light Cover for 39536	1	71686	Sliding Door Track for 39536	18	71661	Control 150°C for 39536	36
71682	Sliding Glass Track for 39536	2	71689	Radiator Bottom Plate for 39536	19	71658	1/9 GN Pan for 39536	37
AD871	Sealing Strip for 39536	3	71657	Heater Brace for 39536	20	71653	Right Small Bracket for 39536	38
71681	Curved Front Glass for 39536	4	71651	Left Panel for 39536	21	67314	Bottom Shelf Bracket Right for 39536	39
AD851	Sealing Strip (Thin) for 39536	5	AD857	Base Feet for 39536	22	71656	Right Pillar for 39536	40
AD872	Sealing Strip for 39536	6	71691	Stainless Housing for 39536	23	71639	Door Wheel for 39536	41
AD853	Sealing Strip for 39536	7	71649	Right Panel for 39536	24	AD875	Door Metal Insert for 39536	42
71650	Side Glass for 39536	8	AD859	Control Panel for 39536	25	AD864	Door Handle for 39536	43
71641	Decoration Nut Gasket for 39536	9	AD873	Power Cord for 39536	26	AD876	Door Glass for 39536	44
79313	Nut Gasket for 39536	10	AD860	Light Gasket for 39536	27	AD877	LED Light Bar for 39536	45
79312	Nut Decoration for 39536	11	70686	Temperature Display for 39536	28	AD867	Side Board for Light Cover for 39536	46
71648	Left Pillar for 39536	12	71644	On/Off Switch for 39536	29	AD868	Panel for 39536	47
67313	Bottom Shelf Bracket Left for 39536	13	60218	Indicator Light for 39536	30	AD869	Steel Ingot for 39536	48
71652	Left Small Bracket for 39536	14	71640	Temperature Thermostat for 39536	31	AD870	Fixed Plate for 39536	49
71683	Chrome Shelf 1 for 39536	15	71688	Chassis of Heater for 39536	33	61245	Wire Clip Cover for 39536	50
71684	Chrome Shelf 2 for 39536	16	71687	U-Shaped Heating Element for 39536	34	61246	Wire Clip Holder for 39536	51
71685	Chrome Shelf 3 for 39536	17	71662	Control 125°C for 39536	35			

# Electrical Schematics

Model DW-CN-0120 39535

Model DW-CN-0160 39536







# Warranty Registration

Thank you for purchasing an Omcan product. To register your warranty for this product, complete the information below, tear off the card at the perforation and then send to the address specified below. You can also register online by visiting:

Merci d'avoir acheté un produit Omcan. Pour enregistrer votre garantie pour ce produit, complétez les informations ci-dessous, détachez la carte au niveau de la perforation, puis l'envoyer à l'adresse spécifiée ci-dessous. Vous pouvez également vous inscrire en ligne en visitant:

Gracias por comprar un producto Omcan usted. Para registrar su garantía para este producto, complete la información a continuación, cortar la tarjeta en la perforación y luego enviarlo a la dirección indicada a continuación. También puede registrarse en línea en:

<https://omcan.com/warranty-registration/>

For mailing in Canada

Pour postale au Canada

Por correo en Canadá

**OMCAN**

PRODUCT WARRANTY REGISTRATION

3115 Pepper Mill Court,

Mississauga, Ontario

Canada, L5L 4X5

For mailing in the US

Pour diffusion aux États-Unis

Por correo en los EE.UU.

**OMCAN**

PRODUCT WARRANTY REGISTRATION

4450 Witmer Industrial Estates, Unit 4,

Niagara Falls, New York

USA, 14305

*or email to: [service@omcan.com](mailto:service@omcan.com)*



Purchaser's Information

Name: \_\_\_\_\_

Address: \_\_\_\_\_

City: \_\_\_\_\_ Province or State: \_\_\_\_\_ Postal or Zip: \_\_\_\_\_

Country: \_\_\_\_\_

Dealer from which Purchased: \_\_\_\_\_

Dealer City: \_\_\_\_\_ Dealer Province or State: \_\_\_\_\_

Invoice: \_\_\_\_\_

Model Name: \_\_\_\_\_ Model Number: \_\_\_\_\_

Machine Description: \_\_\_\_\_

Date of Purchase (MM/DD/YYYY): \_\_\_\_\_

Would you like to extend the warranty?  Yes  No

Company Name: \_\_\_\_\_

Telephone: \_\_\_\_\_

Email Address: \_\_\_\_\_

Type of Company:

Restaurant  Bakery  Deli

Butcher  Supermarket  Caterer

Institution (specify): \_\_\_\_\_

Other (specify): \_\_\_\_\_

Serial Number: \_\_\_\_\_

Date of Installation (MM/DD/YYYY): \_\_\_\_\_

**Thank you for choosing Omcan | Merci d'avoir choisi Omcan | Gracias por elegir Omcan**



Since 1951 Omcan has grown to become a leading distributor of equipment and supplies to the North American food service industry. Our success over these many years can be attributed to our commitment to strengthen and develop new and existing relationships with our valued customers and manufacturers. Today with partners in North America, Europe, Asia and South America, we continually work to improve and grow the company. We strive to offer customers exceptional value through our qualified local sales and service representatives who provide convenient access to over 5,000 globally sourced products.

---

Depuis 1951 Omcan a grandi pour devenir un des “leaders” de la distribution des équipements et matériel pour l’industrie des services alimentaires en Amérique du Nord. Notre succès au cours de ces nombreuses années peut être attribué à notre engagement à renforcer et à développer de nouvelles et existantes relations avec nos clients et les fabricants de valeur. Aujourd’hui avec des partenaires en Amérique du Nord, Europe, Asie et Amérique du Sud, nous travaillons continuellement à améliorer et développer l’entreprise. Nous nous efforçons d’offrir à nos clients une valeur exceptionnelle grâce à nos ventes locales qualifiées et des représentants de service qui offrent un accès facile à plus de 5000 produits provenant du monde entier.

---

Desde 1951 Omcan ha crecido hasta convertirse en un líder en la distribución de equipos y suministros de alimentos en América del Norte industria de servicios. Nuestro éxito en estos años se puede atribuir a nuestro compromiso de fortalecer y desarrollar nuevas relaciones existentes con nuestros valiosos clientes y fabricantes. Hoy con socios de América del Norte, Europa, Asia y América del Sur, que trabajan continuamente para mejorar y crecer la empresa. Nos esforzamos por ofrecer a nuestros clientes valor excepcional a través de nuestro local de ventas y representantes de los servicios que proporcionan un fácil acceso a más de 5,000 productos con origen a nivel mundial.

