



Glass Polisher
Model GP-CN-0005
Item 44516
Instruction Manual



Revised - 06/14/2023



Toll Free: 1-800-465-0234
Fax: 905-607-0234
Email: service@omcan.com
www.omcan.com



Table of Contents

Model GP-CN-0005

Section	Page
General Information -----	3 - 4
Safety and Warranty -----	4 - 6
Technical Specifications -----	6
Installation -----	6 - 7
Operation -----	8
Maintenance -----	8
Troubleshooting -----	8
Parts Breakdown -----	9 - 10
Electrical Schematics -----	11
Notes -----	12 - 14
Warranty Registration -----	15



General Information

Omcan Manufacturing and Distributing Company Inc., Food Machinery of America, Inc. dba Omcan and Omcan Inc. are not responsible for any harm or injury caused due to any person's improper or negligent use of this equipment. The product shall only be operated by someone over the age of 18, of sound mind, and not under the influence of any drugs or alcohol, who has been trained in the correct operation of this machine, and is wearing authorized, proper safety clothing. Any modification to the machine voids any warranty, and may cause harm to individuals using the machine or in the vicinity of the machine while in operation.

CHECK PACKAGE UPON ARRIVAL

Upon receipt of an Omcan shipment please inspect for external damage. If no damage is evident on the external packaging, open carton to ensure all ordered items are within the box, and there is no concealed damage to the machine. If the package has suffered rough handling, bumps or damage (visible or concealed), please note it on the bill of lading before accepting the delivery and contact Omcan within 24 hours, so we may initiate a claim with the carrier. A detailed report on the extent of the damage caused to the machine must be filled out within three days, from the delivery date shown in the shipping documents. Omcan has no recourse for damaged products that were shipped collect or third party.

Before operating any equipment, always read and familiarize yourself with all operation and safety instructions.

Omcan would like to thank you for purchasing this machine. It's of the utmost importance to save these instructions for future reference. Also save the original box and packaging for shipping the equipment if servicing or returning of the machine is required.

Omcan Fabrication et distribution Compagnie Limitée et Food Machinery d'Amérique, dba Omcan et Omcan Inc. ne sont pas responsables de tout dommage ou blessure causé du fait que toute personne ait utilisé cet équipement de façon irrégulière. Le produit ne doit être exploité que par quelqu'un de plus de 18 ans, sain d'esprit, et pas sous l'influence d'une drogue ou d'alcool, qui a été formé pour utiliser cette machine correctement, et est vêtu de vêtements de sécurité appropriés. Toute modification de la machine annule toute garantie, et peut causer un préjudice à des personnes utilisant la machine ou des personnes à proximité de la machine pendant son fonctionnement.

VÉRIFIEZ LE COLIS DÈS RÉCEPTION

Dès réception d'une expédition d'Omcan veuillez inspecter pour dommages externes. Si aucun dommage n'est visible sur l'emballage externe, ouvrez le carton afin de s'assurer que tous les éléments commandés sont dans la boîte, et il n'y a aucun dommage dissimulé à la machine. Si le colis n'a subi aucune mauvaises manipulations, de bosses ou de dommages (visible ou cachée), notez-le sur le bond de livraison avant d'accepter la livraison et contactez Omcan dans les 24 heures qui suivent, pour que nous puissions engager une réclamation auprès du transporteur. Un rapport détaillé sur l'étendue des dommages causés à la machine doit être rempli dans un délai de trois jours, à compter de la date de livraison indiquée dans les documents d'expédition. Omcan n'a aucun droit de recours pour les produits endommagés qui ont été expédiés ou cueilli par un tiers transporteur.

General Information

Avant d'utiliser n'importe quel équipement, toujours lire et vous familiariser avec toutes les opérations et les consignes de sécurité.

Omcan voudrais vous remercier d'avoir choisi cette machine. Il est primordial de conserver ces instructions pour une référence ultérieure. Également conservez la boîte originale et l'emballage pour l'expédition de l'équipement si l'entretien ou le retour de la machine est nécessaire.

Omcan Empresa De Fabricacion Y Distribucion Inc. Y Maquinaria De Alimentos De America, Inc. dba Omcan y Omcan Inc. no son responsables de ningun daño o perjuicio causado por cualquier persona inadecuada o el uso descuidado de este equipo. El producto solo podra ser operado por una persona mayor de 18 años, en su sano juicio y no bajo alguna influencia de droga o alcohol, y que este ha sido entrenado en el correcto funcionamiento de esta máquina, y ésta usando ropa apropiada y autorizada. Cualquier modificación a la máquina anula la garantía y puede causar daños a las personas usando la máquina mientras esta en el funcionamiento.

REVISE EL PAQUETE A SU LLEGADA

Tras la recepcion de un envio Omcan favor inspeccionar daños externos. Si no hay daños evidentes en el empaque exterior, Habra el carton para asegurarse que todos los articulos solicitados estén dentro de la caja y no encuentre daños ocultos en la máquina. Si el paquete ha sufrido un manejo de poco cuidado, golpes o daños (visible o oculto) por favor anote en la factura antes de aceptar la entrega y contacte Omcan dentro de las 24 horas, de modo que podamos iniciar una reclamación con la compañía. Un informe detallado sobre los daños causados a la máquina debe ser llenado en el plazo de tres días, desde la fecha de entrega que se muestra en los documentos de envío. Omcan no tiene ningun recurso por productos dañados que se enviaron a recoger por terceros.

Antes de utilizar cualquier equipo, siempre lea y familiarizarse con todas las instrucciones de funcionamiento y seguridad.

Omcan le gustaría darle las gracias por la compra de esta máquina. Es de la mayor importancia para salvar estas instrucciones para futuras consultas. Además, guarda la caja original y el embalaje para el envío del equipo si servicio técnico o devolución de la máquina que se requiere.

Safety and Warranty

IMPORTANT SAFETY INFORMATION

When using electrical appliances, basic safety precautions should always be followed, including the following:

1. READ ALL INFORMATION BEFORE USE.
2. For commercial only.
3. Do not touch hot surfaces.
4. Protect against electrical shock by keeping all cords, plugs, and other electrical components away from



Safety and Warranty

water or other liquids.

5. Unplug this unit when not in use and before cleaning.
6. Allow the unit to cool before putting on or taking off parts.
7. Do not operate this or any appliance with a damaged electrical cord or plug.
8. Do not operate this or any appliance after it has malfunctioned or been damaged in any way.
9. Do not use outdoors.
10. Do not place on or near a hot gas or electric burner.
11. Disconnect the unit by turning the temperature and timer control to "OFF", then removing the electrical plug from the wall outlet.
12. Do not use appliance for any application other than design use.
13. Do not allow this glass polisher to touch or be covered by flammable material, such as curtains, draperies, walls, etc., when in operation.
14. Do not clean with metal scouring pads as pieces can break off and touch electrical components, heightening the risk of electrical shock.
15. Do not cover interior of this unit with metal foil as it may cause the oven to overheat.
16. Do not place sharp or sharp corner objects around the product to avoid scratching the surface.
17. Turn the appliance off by turning control knob to the "OFF" position.
18. Note that the use of accessories not recommended by the manufacturer may result in injury.
19. Children must be supervised before using this product.
20. This appliance can be used by children aged from 8 years old and above and persons with reduced physical, sensory or mental capabilities or lack of experience and knowledge if they have been given supervision or instruction concerning use of the appliance in a safe way and understand the hazards involved. Children shall not play with the appliance. Cleaning and user maintenance shall not be made by children without supervision.
21. When using the appliance in shops, snack bars, hotels etc., check the voltage and outlet to make sure the appliance is correctly connected with power.
22. Place unit on a flat surface that is well ventilated.

RESIDENTIAL USERS: Vendor assumes no liability for parts or labor coverage for component failure or other damages resulting from installation in non-commercial or residential applications. The right is reserved to deny shipment for residential usage; if this occurs, you will be notified as soon as possible.

1 YEAR PARTS AND LABOUR BENCH WARRANTY

Within the warranty period, contact Omcan Inc. at 1-800-465-0234 to schedule a drop off to either an Omcan authorized service depot in the area, or to an Omcan Service warehouse to repair the equipment.

Unauthorized maintenance will void the warranty. Warranty covers electrical and part failures, not improper use.

Please see <https://omcan.com/disclaimer> for complete info.

Safety and Warranty

WARNING:

The packaging components are classified as normal solid urban waste and can therefore be disposed of without difficulty.

In any case, for suitable recycling, we suggest disposing of the products separately (differentiated waste) according to the current norms.

DO NOT DISCARD ANY PACKAGING MATERIALS IN THE ENVIRONMENT!

Technical Specifications

Model	GP-CN-0005
Number of Brushes	5
Power	1.8 HP / 1350 W
Electrical	110-120V / 60Hz / 1
Dimensions	13" x 12" x 20" / 340 x 305 x 509mm
Packaging Dimensions	17" x 15" x 19" / 432 x 381 x 483mm
Weight	33 lbs. / 15 kgs.
Packaging Weight	39 lbs. / 17.7 kgs.
Item Number	44516

Installation

Before using your glass polisher, please follow these simple instructions. Failing to do so may cause injury to the user and damage the machine:

1. Install the machine on a flat surface of a sink and make sure the machine is upright and stable.
2. Attach air blower onto the base with screw provided, make sure the outlet is centered.
3. Assemble the brushes and check that they are securely in place. The brush is made of microfiber, during the working process, the hot air coming out from air blower to keep brushes dry for maintain a good polisher effect, wet brushes do not dry and polish the cup. Always keep the brush as dry is essential. At busy time, if the brush cannot be dried in time, please stop working for 20 minutes and let the machine working so that the brush can be dried in hot air.

WARNING: Plug the unit into grounded outlets only that match the unit's voltage and frequency listed on the motor!

Installation

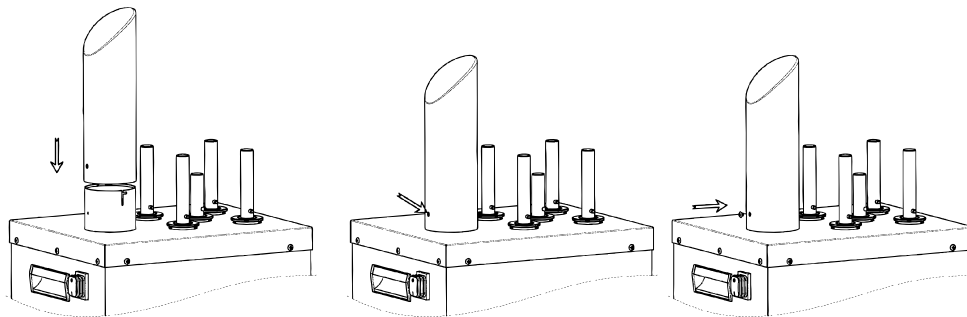
WARNING: Check the electric cord and plug to make sure it is clean and dry before using!

WARNING: The SWITCH must NOT contact the water, keep it dry!

CAUTION: Check and make sure the brushes are securely in place before turning on the machine!

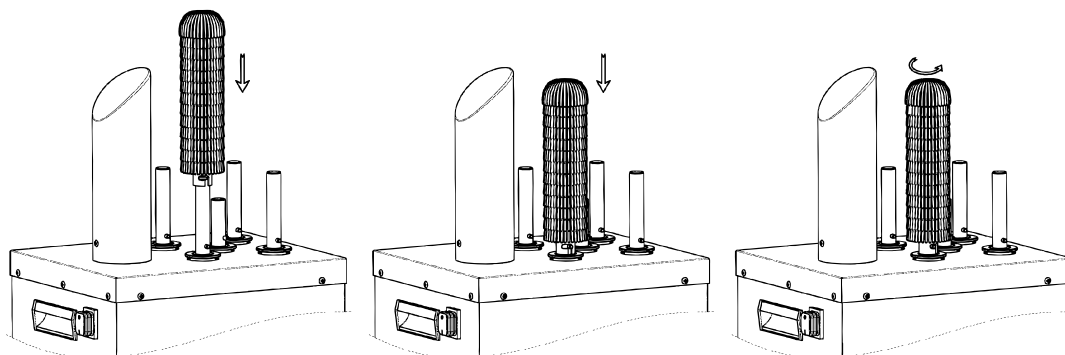
CAUTION: Do NOT use the machine for any other purpose than its intended design!

ASSEMBLY INSTRUCTIONS OF AIR BLOWER



Assemble air blower onto the hot-air pipe base, adjust proper direction by rotation, align the oval hole on the air blower with the screw hole on the hot-air pipe, then tighten the screws.

ASSEMBLY INSTRUCTIONS OF BRUSHES



Assemble brushes handle onto drive shaft base, rotate it anti-clockwise to make the notch on the brush handle lock into the transverse pin of drive shaft.

Note: The short brush should be inserted onto center post.

Operation

Follow the below steps in order to get the desired results.

1. Plug in the machine.
2. Switch on machine.
3. Grasp glass at the base and insert onto center brush.
4. Dry and polish the glass for approximately 12-13 seconds.
Note: Holding the glass with a slight-left or right spin to get better results.
5. Repeat Steps 3 and 4 as necessary.
6. Switch off the machine and unplug while not in use.

Maintenance

CLEANING & MAINTAINING YOUR GLASS POLISHER

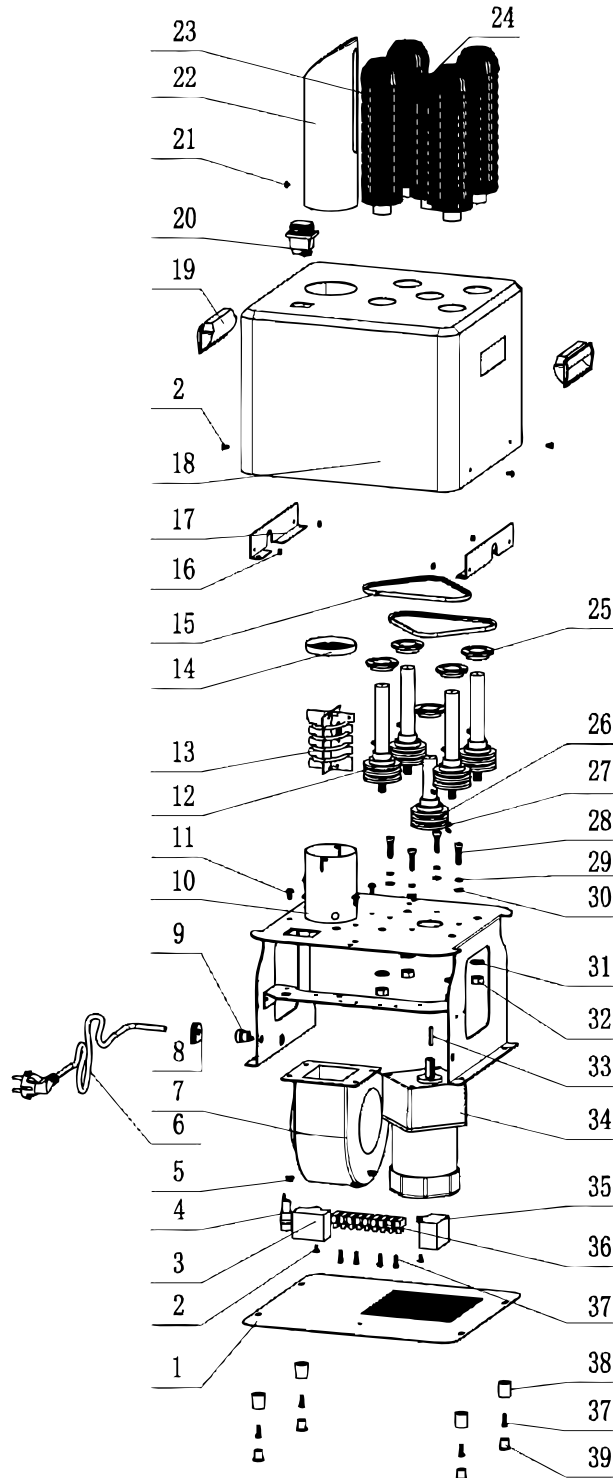
- To clean, ensure glass polisher is OFF and unplug cord from the outlet.
- Wait for the glass washer to cool down.
- Clean external surface of glass polisher daily using a damp cloth or sponge. Do not immerse the whole unit into water or washing it in running water as this will cause serious damage to the unit.
- When closing for the day, operate the machine for 20 minutes to dry the brushes as will ensure the use efficiency in next working cycle.

Troubleshooting

Problem	Possible Solution
The glass polisher does not work after being switched on.	Make sure glass polisher is plugged in correctly.
	Be sure it is switched on.
	Call Omcan.
There is a very loud noise when the glass washer is in use.	Do not attempt to dismantle the glass washer.
	Check the brush is securely in place.
	Contact Omcan right away to examine the motor and inside gears.
The brush spin cycle is slow and the glasses are not polished properly.	Check to see if something is jammed inside the brushes.
	Contact Omcan right away to examine the motor and inside gears.
The brush loose or fracture.	Check the brush is securely in place and holder is in correct position.
	Replace the old brushes regularly.

Parts Breakdown

Model GP-CN-0005 44516



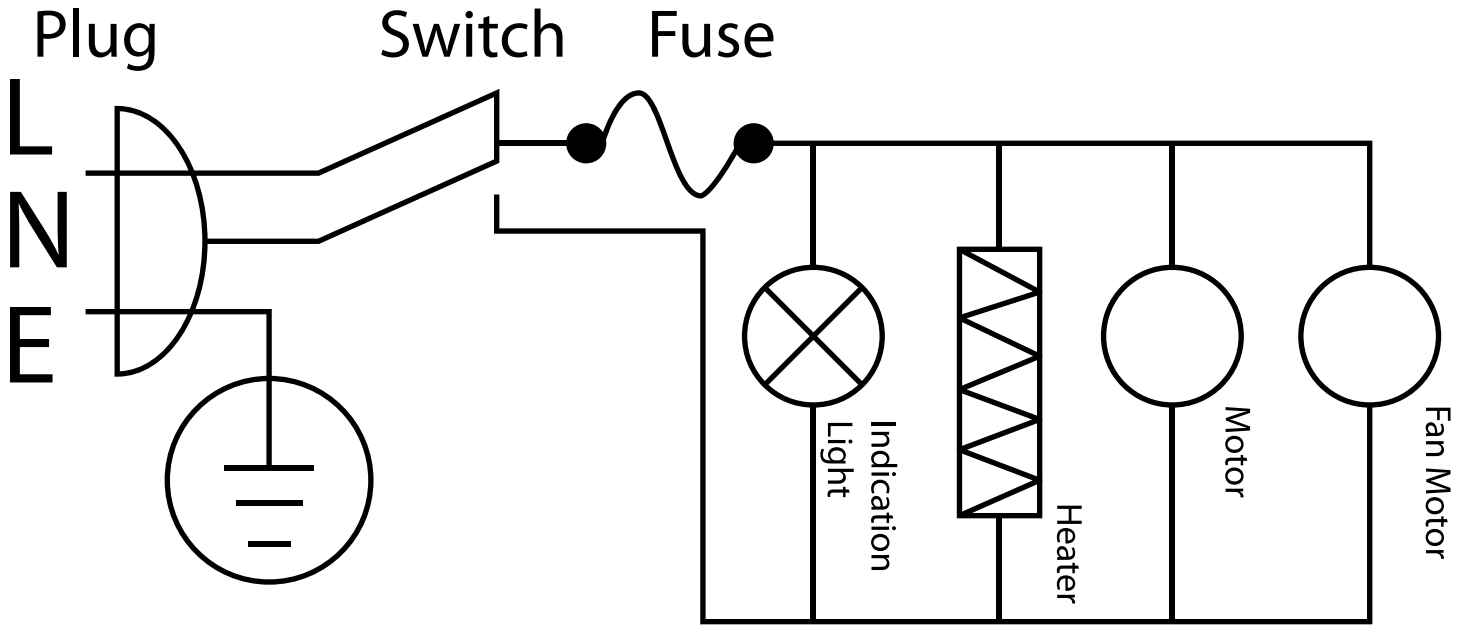
Parts Breakdown

Model GP-CN-0005 44516


Item No.	Description	Position	Item No.	Description	Position	Item No.	Description	Position
68861	Bottom Plate Assembly for 44516	1	68884	Heating Element Pressure Ring for 44516	14	68897	M4x10 Hexagon Stud for 44516	27
68862	M4x8 Large Flat Head Screw for 44516	2	68885	Belt for 44516	15	68898	M6x20 Hexagon Screw for 44516	28
68863	Capacitor 1 for 44516	3	68886	M4 Hex Screw Nut for 44516	16	68899	Ø6 Spring Pad for 44516	29
68864	Fuse for 44516	4	68887	Shell Support Bar for 44516	17	68900	Ø6 Flat Pad for 44516	30
68865	M5 Hex Flange Nut for 44516	5	68888	Shell for 44516	18	68901	Ø10 Non-Slip Pad for 44516	31
68876	Power Cord for 44516	6	68889	Handle for 44516	19	68902	M10 Lock-Proof Hex Nut for 44516	32
68877	Fan Motor for 44516	7	68890	Power Switch for 44516	20	68903	Joint Block for 44516	33
68878	Power Cord Fixture for 44516	8	68891	M4x4 Flat Head Screw for 44516	21	68904	Motor for 44516	34
68879	Wire Buckle for 44516	9	68892	Hot Air Pipe for 44516	22	68905	Capacitor 2 for 44516	35
68880	Frame Bracket Assembly for 44516	10	68893	Long Brush for 44516	23	68906	Terminal for 44516	36
68881	M5x12 Round Head Screw for 44516	11	68894	Short Brush for 44516	24	68907	M4x16 Round Screw for 44516	37
68882	Shaft Assembly for 44516	12	68895	Shaft Cover (Optional) for 44516	25	68908	Foot for 44516	38
68883	Heating Element for 44516	13	68896	Drive Shaft for 44516	26	68909	Foot Pad for 44516	39

Electrical Schematics

Model GP-CN-0005 44516



NEMA
5 - 15P
125VAC / 15 AMP



Notes



Warranty Registration

Thank you for purchasing an Omcan product. To register your warranty for this product, complete the information below, tear off the card at the perforation and then send to the address specified below. You can also register online by visiting:

Merci d'avoir acheté un produit Omcan. Pour enregistrer votre garantie pour ce produit, complétez les informations ci-dessous, détachez la carte au niveau de la perforation, puis l'envoyer à l'adresse spécifiée ci-dessous. Vous pouvez également vous inscrire en ligne en visitant:

Gracias por comprar un producto Omcan usted. Para registrar su garantía para este producto, complete la información a continuación, cortar la tarjeta en la perforación y luego enviarlo a la dirección indicada a continuación. También puede registrarse en línea en:

<https://omcan.com/warranty-registration/>

For mailing in Canada

Pour postale au Canada

Por correo en Canadá

OMCAN

PRODUCT WARRANTY REGISTRATION

3115 Pepper Mill Court,

Mississauga, Ontario

Canada, L5L 4X5

For mailing in the US

Pour diffusion aux États-Unis

Por correo en los EE.UU.

OMCAN

PRODUCT WARRANTY REGISTRATION

4450 Witmer Industrial Estates, Unit 4,

Niagara Falls, New York

USA, 14305

or email to: service@omcan.com



Purchaser's Information

Name: _____

Address: _____

City: _____ Province or State: _____ Postal or Zip: _____

Country: _____

Dealer from which Purchased: _____

Dealer City: _____ Dealer Province or State: _____

Invoice: _____

Model Name: _____ Model Number: _____

Machine Description: _____

Date of Purchase (MM/DD/YYYY): _____

Would you like to extend the warranty? Yes No

Company Name: _____

Telephone: _____

Email Address: _____

Type of Company:

Restaurant Bakery Deli

Butcher Supermarket Caterer

Institution (*specify*): _____

Other (*specify*): _____

Serial Number: _____

Date of Installation (MM/DD/YYYY): _____

Thank you for choosing Omcan | Merci d'avoir choisi Omcan | Gracias por elegir Omcan



Since 1951 Omcan has grown to become a leading distributor of equipment and supplies to the North American food service industry. Our success over these many years can be attributed to our commitment to strengthen and develop new and existing relationships with our valued customers and manufacturers. Today with partners in North America, Europe, Asia and South America, we continually work to improve and grow the company. We strive to offer customers exceptional value through our qualified local sales and service representatives who provide convenient access to over 6,500 globally sourced products.

Depuis 1951 Omcan a grandi pour devenir un des “leaders” de la distribution des équipements et matériel pour l’industrie des services alimentaires en Amérique du Nord. Notre succès au cours de ces nombreuses années peut être attribué à notre engagement à renforcer et à développer de nouvelles et existantes relations avec nos clients et les fabricants de valeur. Aujourd’hui avec des partenaires en Amérique du Nord, Europe, Asie et Amérique du Sud, nous travaillons continuellement à améliorer et développer l’entreprise. Nous nous efforçons d’offrir à nos clients une valeur exceptionnelle grâce à nos ventes locales qualifiées et des représentants de service qui offrent un accès facile à plus de 6500 produits provenant du monde entier.

Desde 1951 Omcan ha crecido hasta convertirse en un líder en la distribución de equipos y suministros de alimentos en América del Norte industria de servicios. Nuestro éxito en estos años se puede atribuir a nuestro compromiso de fortalecer y desarrollar nuevas relaciones existentes con nuestros valiosos clientes y fabricantes. Hoy con socios de América del Norte, Europa, Asia y América del Sur, que trabajan continuamente para mejorar y crecer la empresa. Nos esforzamos por ofrecer a nuestros clientes valor excepcional a través de nuestro local de ventas y representantes de los servicios que proporcionan un fácil acceso a más de 6,500 productos con origen a nivel mundial.

