



## Glass Door Merchandisers

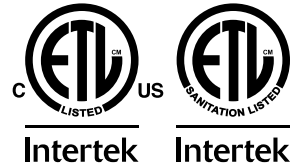
Models RE-CN-0045-HC, 0045-HC-BK, 0045-HC-SW, 0045-HC-SB, 0009-HC, 0009-HC-BK, 0014-H, 0014-HC-BK, 0023-HC, 0023-H, 0052-HC, 0052-HC-BK, FR-CN-0012-HC, 0790-HC, 1250-HC, 0045-HC, 0052-HC

Items 50032, 51032, 52032, 53032, 50033, 51033, 50035, 51035, 50036, 50037, 50052, 51052, 50029, 50030, 50031, 50075, 50087

## Instruction Manual



*Revised - 05/11/2023*



Toll Free: 1-800-465-0234  
Fax: 905-607-0234  
Email: [service@omcan.com](mailto:service@omcan.com)  
[www.omcan.com](http://www.omcan.com)



# ***Table of Contents***

Model RE-CN-0045-HC / Model RE-CN-0045-HC-BK / Model RE-CN-0045-HC-SW  
RE-CN-0045-HC-SB / Model RE-CN-0009-HC / Model RE-CN-0009-HC-BK  
Model RE-CN-0014-H / Model RE-CN-0014-HC-BK / Model RE-CN-0023-HC  
Model RE-CN-0023-H / Model RE-CN-0052-HC / Model RE-CN-0052-HC-BK  
Model FR-CN-0790-HC / Model FR-CN-1250-HC / Model FR-CN-0045-HC  
Model FR-CN-0052-HC

---

<b>Section</b>	<b>Page</b>
Disclaimer .....	3
General Information .....	4 - 5
Safety and Warranty .....	5 - 6
Technical Specifications .....	6 - 9
Installation .....	10
Maintenance .....	10
Troubleshooting .....	10 - 11
Controller Instructions .....	11 - 16
Parts Breakdown .....	17 - 44
Electrical Schematics .....	45 - 54
Warranty Registration .....	55

## ***Disclaimer***

---

***OMCAN IS NOT RESPONSIBLE FOR ANY DAMAGES DUE TO WATER LEAKS. WARRANTY FOR WATER LEAKS IS VOID IF THE AMBIENT ROOM TEMPERATURE EXCEEDS 75°F AND 55% RELATIVE HUMIDITY, AND THE APPLIANCE DRAIN IS NOT CONNECTED DIRECTLY TO A FLOOR DRAIN.***

---

***OMCAN N'EST PAS RESPONSABLE DES DOMMAGES DUS AUX FUITES D'EAU. LA GARANTIE POUR LES FUITES D'EAU EST ANNULÉE SI LA TEMPÉRATURE AMBIANTE DE LA PIÈCE DÉPASSE 75°F ET 55% D'HUMIDITÉ RELATIVE, ET SI LE DRAIN DE L'APPAREIL N'EST PAS RACCORDÉ DIRECTEMENT À UN DRAIN DE PLANCHER.***

---

***OMCAN NO SE HACE RESPONSABLE DE LOS DAÑOS CAUSADOS POR FUGAS DE AGUA. LA GARANTÍA POR FUGAS DE AGUA QUEDA ANULADA SI LA TEMPERATURA AMBIENTE SUPERA LOS 75°F Y EL 55% DE HUMEDAD RELATIVA, Y EL DESAGÜE DEL APARATO NO ESTÁ CONECTADO DIRECTAMENTE A UN DESAGÜE DE PISO.***

# **General Information**

---

**Omcan Manufacturing and Distributing Company Inc., Food Machinery of America, Inc. dba Omcan and Omcan Inc. are not responsible for any harm or injury caused due to any person's improper or negligent use of this equipment. The product shall only be operated by someone over the age of 18, of sound mind, and not under the influence of any drugs or alcohol, who has been trained in the correct operation of this machine, and is wearing authorized, proper safety clothing. Any modification to the machine voids any warranty, and may cause harm to individuals using the machine or in the vicinity of the machine while in operation.**

## **CHECK PACKAGE UPON ARRIVAL**

Upon receipt of an Omcan shipment please inspect for external damage. If no damage is evident on the external packaging, open carton to ensure all ordered items are within the box, and there is no concealed damage to the machine. If the package has suffered rough handling, bumps or damage (visible or concealed), please note it on the bill of lading before accepting the delivery and contact Omcan within 24 hours, so we may initiate a claim with the carrier. A detailed report on the extent of the damage caused to the machine must be filled out within three days, from the delivery date shown in the shipping documents. Omcan has no recourse for damaged products that were shipped collect or third party.

**Before operating any equipment, always read and familiarize yourself with all operation and safety instructions.**

**Omcan would like to thank you for purchasing this machine. It's of the utmost importance to save these instructions for future reference. Also save the original box and packaging for shipping the equipment if servicing or returning of the machine is required.**

---

**Omcan Fabrication et distribution Compañie Limité et Food Machinery d'Amérique, dba Omcan et Omcan Inc. ne sont pas responsables de tout dommage ou blessure causé du fait que toute personne ait utilisé cet équipement de façon irrégulière. Le produit ne doit être exploité que par quelqu'un de plus de 18 ans, saine d'esprit, et pas sous l'influence d'une drogue ou d'alcool, qui a été formé pour utiliser cette machine correctement, et est vêtu de vêtements de sécurité approprié. Toute modification de la machine annule toute garantie, et peut causer un préjudice à des personnes utilisant la machine ou des personnes à proximité de la machine pendant son fonctionnement.**

## **VÉRIFIEZ LE COLIS DÈS RÉCEPTION**

Dès réception d'une expédition d'Omcan veuillez inspecter pour dommages externes. Si aucun dommage n'est visible sur l'emballage externe, ouvrez le carton afin de s'assurer que tous les éléments commandés sont dans la boîte, et il n'y a aucun dommage dissimulé à la machine. Si le colis n'a subi aucune mauvaises manipulations, de bosses ou de dommages (visible ou cachée), notez-le sur le bond de livraison avant d'accepter la livraison et contactez Omcan dans les 24 heures qui suivent, pour que nous puissions engager une réclamation auprès du transporteur. Un rapport détaillé sur l'étendue des dommages causés à la machine doit être rempli dans un délai de trois jours, à compter de la date de livraison indiquée dans les documents d'expédition. Omcan n'a aucun droit de recours pour les produits endommagés qui ont été expédiés ou cueilli par un tiers transporteur.



## General Information

---

Avant d'utiliser n'importe quel équipement, toujours lire et vous familiariser avec toutes les opérations et les consignes de sécurité.

Omcan voudrais vous remercier d'avoir choisi cette machine. Il est primordial de conserver ces instructions pour une référence ultérieure. Également conservez la boîte originale et l'emballage pour l'expédition de l'équipement si l'entretien ou le retour de la machine est nécessaire.

---

Omcan Empresa De Fabricacion Y Distribucion Inc. Y Maquinaria De Alimentos De America, Inc. dba Omcan y Omcan Inc. no son responsables de ningun daño o perjuicio causado por cualquier persona inadecuada o el uso descuidado de este equipo. El producto solo podra ser operado por una persona mayor de 18 años, en su sano juicio y no bajo alguna influencia de droga o alcohol, y que este ha sido entrenado en el correcto funcionamiento de esta máquina, y ésta usando ropa apropiada y autorizada. Cualquier modificación a la máquina anula la garantía y puede causar daños a las personas usando la máquina mientras esta en el funcionamiento.

### REVISE EL PAQUETE A SU LLEGADA

Tras la recepcion de un envio Omcan favor inspeccionar daños externos. Si no hay daños evidentes en el empaque exterior, Habra el carton para asegurarse que todos los articulos solicitados estén dentro de la caja y no encuentre daños ocultos en la máquina. Si el paquete ha sufrido un manejo de poco cuidado, golpes o daños (visible o oculto) por favor anote en la factura antes de aceptar la entrega y contacte Omcan dentro de las 24 horas, de modo que podamos iniciar una reclamación con la compañía. Un informe detallado sobre los daños causados a la máquina debe ser llenado en el plazo de tres días, desde la fecha de entrega que se muestra en los documentos de envío. Omcan no tiene ningun recurso por productos dañados que se enviaron a recoger por terceros.

Antes de utilizar cualquier equipo, siempre lea y familiarizarse con todas las instrucciones de funcionamiento y seguridad.

Omcan le gustaría darle las gracias por la compra de esta máquina. Es de la mayor importancia para salvar estas instrucciones para futuras consultas. Además, guarda la caja original y el embalaje para el envío del equipo si servicio técnico o devolución de la máquina que se requiere.

## Safety and Warranty

---

- To minimize shock and fire hazards, be sure not to overload the outlet.
- To minimize electric shock and malfunction, do not spray the unit with water.
- To minimize fire hazards, do not use flammable spray products near the unit.
- After unplugging the unit, wait at least 6 minutes before re-plugging it. It may cause compressor failure if plugged in before 6 minutes waiting period.
- Cautions for cleaning:
  - Unplug the power cord before cleaning.

# ***Safety and Warranty***

---

- Do not unplug-plug the power cord with wet hands.
- Do not use an abrasive cleaners, solvents or polishing agents on plastic parts. Doing so might cause cracking or discoloring.
- When it is not in use:
  - Unplug the power cord.
  - Wipe inside with dry cloth, and you may leave the door slightly open to eliminate moisture and odor.

**RESIDENTIAL USERS: Vendor assumes no liability for parts or labor coverage for component failure or other damages resulting from installation in non-commercial or residential applications. The right is reserved to deny shipment for residential usage; if this occurs, you will be notified as soon as possible.**

## **2 YEARS PARTS AND LABOUR / 5 YEARS PARTS ONLY ON COMPRESSOR WARRANTY**

Within the warranty period, contact Omcan Inc. at 1-800-465-0234 to schedule an Omcan authorized service technician to repair the equipment locally.

Unauthorized maintenance will void the warranty. Warranty covers electrical and part failures, not improper use.

Please see <https://omcan.com/disclaimer> for complete info.

### **WARNING:**

The packaging components are classified as normal solid urban waste and can therefore be disposed of without difficulty.

In any case, for suitable recycling, we suggest disposing of the products separately (differentiated waste) according to the current norms.

**DO NOT DISCARD ANY PACKAGING MATERIALS IN THE ENVIRONMENT!**



# Technical Specifications

## GLASS DOOR COOLERS

Model	RE-CN-0045-HC	RE-CN-0045-HC-BK	RE-CN-0045-HC-SW	RE-CN-0045-HC-SB
Color	White	Black	White	Black
Temperature Range	0 - 5°C / 33 - 41°F			
Max Ambient Temp Rating	24°C / 75°F			
Power	1/4 HP			
Electrical	110-120V / 60Hz / 1			
Current	4.3A			
Refrigerant	R290			
Cooling System	Ventilated			
Door Type	Sliding		Swing	
Number of Doors	2			
Number of Shelves	8			
Shelf Capacity	90 lbs. / 41 kgs.			
Exterior Dimensions	53.3" x 32" x 83.8" / 1353 x 813 x 2129mm			
Interior Dimensions	50" x 28.5" x 62" / 1270 x 724 x 1575mm			
Net Volume	1270 L / 45 cu. ft.			
Weight	441 lbs. / 200 kgs.			
Item Number	50032	51032	52032	53032

Model	RE-CN-0009-HC	RE-CN-0009-HC-BK	RE-CN-0014-H	RE-CN-0014-H-BK
Color	White	Black	White	Black
Temperature Range	0 - 5°C / 33 - 41°F			
Max Ambient Temp Rating	24°C / 75°F			
Power	1/5 HP			
Electrical	110-120V / 60Hz / 1			
Current	2.88A			
Refrigerant	R290			
Cooling System	Ventilated			
Door Type	Swing			
Number of Doors	1			
Number of Shelves	4			
Shelf Capacity	55.1 lbs. / 25 kgs.		77 lbs. / 35 kgs.	
Exterior Dimensions	21.8" x 21.8" x 63" / 552 x 552 x 1600mm		25.6" x 22.8" x 79.4" / 650 x 579 x 2017mm	
Interior Dimensions	19" x 18" x 46" / 483 x 457 x 1168mm		22.8" x 19.8" x 55" / 579 x 503 x 1397mm	
Net Volume	258 L / 9.1 cu.ft.		398 L / 14 cu. ft.	
Weight	161 lbs. / 73 kgs.		220 lbs. / 99.8 kgs.	
Item Number	50033	51033	50035	51035

# Technical Specifications

Model	RE-CN-0023-HC	RE-CN-0023-H	RE-CN-0052-HC	RE-CN-0052-HC-BK
Color	White	Black	White	Black
Temperature Range	0 - 5°C / 33 - 41°F			
Max Ambient Temp Rating	24°C / 75°F			
Power	1/5 HP		3/4 HP	
Electrical	110-120V / 60Hz / 1			
Current	3A		10.7A	
Refrigerant	R290			
Cooling System	Ventilated			
Door Type	Swing			
Number of Doors	1		3	
Number of Shelves	4	5	12	
Shelf Capacity	90 lbs. / 41 kgs.			
Exterior Dimensions	28.3" x 31.9" x 83.6" / 719 x 810 x 2123mm		78.3" x 29.9" x 84.6" / 1988 x 759 x 2150mm	
Interior Dimensions	25.2" x 28.3" x 62.3" / 640 x 719 x 1582mm		73.7" x 25.6" x 55.7" / 1872 x 650 x 1415mm	
Net Volume	648 L / 23 cu. ft.		1501 L / 53 cu. ft.	
Weight	320 lbs. / 145.2 kgs.		615 lbs. / 279 kgs.	
Item Number	50036	50037	50052	51052





# Technical Specifications

## GLASS DOOR FREEZERS

Model	FR-CN-0012-HC	FR-CN-0790-HC	FR-CN-1250-HC
Color	White		
Temperature Range	-23 to -18°C / -10 to -0.4°F		
Max Ambient Temp Rating	24°C / 75°F		
Net Volume	368 L / 13 cu. ft.	648 L / 23 cu. ft.	821 L / 29 cu. ft.
Power	3/4 HP		
Electrical	110-120V / 60Hz / 1		
Current	8.8A	9.4A	
Refrigerant	R290		
Cooling System	Ventilated		
Door Type	Swing		
Number of Doors	1		2
Number of Shelves	4		8
Exterior Dimensions	27.2" x 26.2" x 80.3" 691 x 665 x 2040mm	31" x 33" x 87" 790 x 845 x 2210mm	49.2" x 26.2" x 84.6" 1250 x 665 x 2149mm
Interior Dimensions	21.3" x 19.3" x 55" 541 x 490 x 1397mm	25.2" x 28.3" x 62" 640 x 720 x 1575mm	43.3" x 19.3" x 55.1" 1100 x 490 x 1400mm
Weight	374 lbs. / 170 kgs.	506 lbs. / 230 kgs.	397 lbs. / 180.1 kgs.
Item Number	50029	50030	50031

Model	FR-CN-0045-HC	FR-CN-0052-HC
Color	White	
Temperature Range	-23 to -18°C / -10 to -0.4°F	-21.7 to -17.8°C / -7 to 0°F
Max Ambient Temp Rating	24°C / 75°F	
Net Volume	1270 L / 45 cu. ft.	1650 L / 52.3 cu. ft.
Power	1 HP	2.6 HP
Electrical	110-120V / 60Hz / 1	
Current	9.2A	20A
Refrigerant	R290	
Cooling System	Ventilated	
Door Type	Swing	
Number of Doors	2	3
Number of Shelves	10	12
Exterior Dimensions	53" x 32" x 79" / 1350 x 810 x 2015mm	30.5" x 79.5" x 80.7" / 775 x 2020 x 2050mm
Interior Dimensions	47" x 25" x 58" / 1204 x 635 x 1480mm	23.6" x 73.5" x 59.7" / 600 x 1868 x 1517mm
Weight	573 lbs. / 260 kgs.	859.8 lbs. / 390 kgs.
Item Number	50075	50087

# Installation

---

## IMPORTANT!!!PLEASE READ BEFORE INSTALLATION

- The refrigeration system operates most efficiently when installed in an area with cool, dry air circulation.
- There must be at least 6 inches of clearance on both sides and the back of the cabinet.
- Select a location away from the heat and moisture generating equipment such as stoves, ovens, etc.
- Avoid direct sun rays.
- Be sure that the floor where you intend to install that unit is strong and level enough to support the total weight of the unit and its contents.
- To minimize shock and fire hazards, be sure that the unit is properly grounded. For your safety and protection, all units are equipped with a special three-prong grounding plug on the service cord.
- All units are designed for indoor use. Outdoor use may cause significant damage to the unit.

# Maintenance

---

- When loading the unit:
  - Be careful not to block the air duct located at the back and the fan on the ceiling of the unit with contents.
  - Blocking the air flow may cause decrease in performance.
  - For the best performance, maintain at least 4 inches of clearance between the contents and the air duct.
- Set the shelves that come with the unit to fit your needs.
- Temperature controller:
  - The controller is located at the right, front corner of the ceiling, or on the front bottom panel.
  - To adjust temperature please refer to the manual of temperature controller.
- Do not leave the unit door open for long period of time. For the most efficient operation, close the door immediately after the use.

## ICE ACCUMULATION MAY OCCUR IN FREEZERS

- Try to reduce the amount of time the freezer doors remain open to prevent ice accumulation.
- Keep door seals clean to prevent air leakage.
- Scrape off any ice accumulated or try manual defrost mode.

# Troubleshooting

---

SYMPTOMS	POSSIBLE CAUSE
Compressor will not start	Check if the power cord has been plugged in.
	Check for blown fuse.

# Troubleshooting

Poor Performance	Move the unit from direct sun light, and avoid installing heating devices near the unit.
	Install the unit in a well ventilated place with minimum of 6" clearance in the back.
	Check the condenser, and clean if heavy dust is collected.
	Check to see if contents are blocking the air duct.
	Check to see if refrigerant charge is low.
	Make sure the door is completely closed.
No Interior Light	Turn off the light switch and turn it on again.
	Make sure the light is correctly inserted into the sockets.
	Check the light, and replace it if blown.
Unit Noisy	Make sure to install the unit on level surface.
	Make sure to maintain the minimum clearance of 6" from the wall.
	Check for the loose parts or mounting.
	Make sure the tubing is free from any contact to avoid tubing rattle.
Condensation on Cabinet and/or Floor	Reduce the relative humidity in the area where the unit is installed.
	Gasket on door or head section is not sealing properly. Repair or replace gasket as necessary.

# Controller Instructions

## Digital controller model: PJEZ for cooler



Dimensioni (mm) / Dimensions (mm)

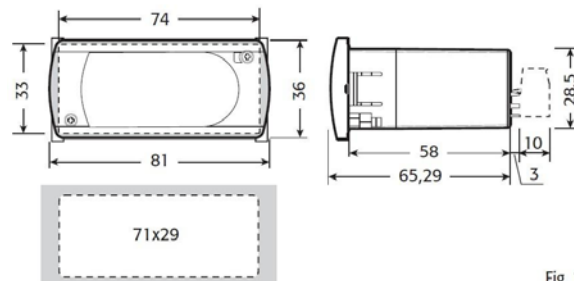







Fig. 1

# Controller Instructions




## Display and functions

During normal operation, the controller displays the value of the probe set using parameter/4(=1 ambient probe, default, = 2 second probe, = 3 third probe). In addition, the display has LEDs that indicate the activation of the control functions (see Table 1), while the 3 buttons can be used to activate/deactivate some of the functions(see Table 2).

**LED's and Associated Functions (Table 1)**

Icon	Function	Normal Operation			Start Up
		ON	OFF	Blink	
	Compressor	On	Off	Request	ON
	Fan	On	Off	Request	ON
	Defrost	On	Off	Request	ON
AUX	Aux	Output On	Output Off	-	ON
	Alarm	All	No Alarm	-	ON
	Clock	RTC fitted and enabled, at least 1 time band set	RTC not fitted or disabled, not even 1 time band set	-	ON if RTC fitted

**Table of Functions activated by the buttons - Models S, X, Y, C (Table 2)**

Button	Normal Operation		Start Up	
	Pressing the Button Alone	Pressed Together		
	Up ON/OFF	More than 3 sec: toggle ON/OFF	-	
	Down Defrost	More than 3 sec: start/stop defrost	Pressed together Start parameter reset procedure	For 1 sec. display firmware vers. code
	Set Mute	- 1 sec.: display/set the set point. - more than 3 secs.: access parameter setting menu (enter password ) - mute audible alarm (buzzer)		For 1 sec. RESET current EZY set

## Setting the set point (desired temperature)

- press **SET** for 1 sec, the set value will start flashing after a few moments;
- increase or decrease the value using **UP** or **DOWN**;
- press **SET** to confirm the new value.

## Switching the device ON/OFF

# Controller Instructions

Press **UP** for more than 3 sec. The control and defrost algorithms are now disabled and the Instrument displays the message “OFF” alternating with the temperature read by the set probe.

## Manual defrost

Press for **DOWN** more than 3 sec (the defrost starts only the temperature conditions are valid).

## Continuous cycle

Press **UP** and **DOWN** together for more than 3 sec.

## Access and setting type F (frequent) and type C (configuration) parameters.

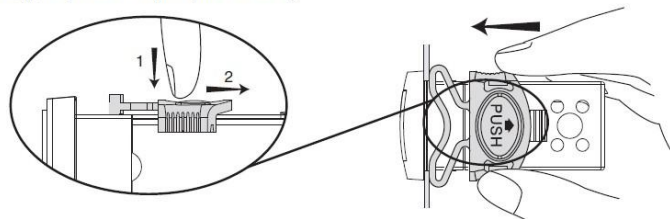
1. Press **SET** for 3 sec (the display will show “PS”).
2. • To access the type F and C parameter menu, enter the password “22” using **UP/DOWN**, press **SET** to confirm.  
• To access the F parameter menu only, press **SET** (without entering the password).
3. Scroll inside the parameter menu using **UP/DOWN**.  
• To display/set the values of the parameter displayed, press **SET**, then **UP/DOWN** and finally **SET** to confirm the changes (returning to the parameter menu).

To save all the new values and exit the parameter menu, press **SET** for 3 s.

To exit the menu without saving the changed values (exit by timeout) do not press any button for at least 60 s.

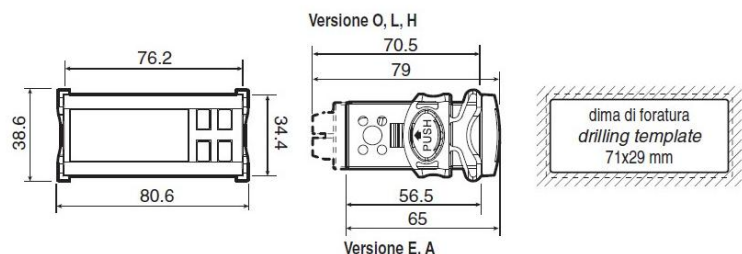
## Digital controller model: IR33 for freezer

Montaggio a pannello ir33/ir33 panel mounting:



Montaggio a pannello mediante due staffe plastiche a scorrimento laterale  
Panel mounting by two lateral sliding plastic brackets









Dimensioni (mm) / Dimensions (mm)



# Controller Instructions



## Signals on the display

The blinking status indicates a request for activation that cannot be implemented until the end of the Corresponding delay times.



Icon	Function	ON	OFF	Blink	Startup
	Compressor	Compressor on	Compressor off	Request	
	Fan	Fan on	Fan off	Request	
	Defrost	Defrost in progress	Defrost not required	Request	
AUX	Aux	Auxiliary Output AUX active	Auxiliary Output AUX not active	Anti-sweat heater function active	
	Alarm	Delayed external alarm (before the expiry of the time 'A7')	No alarm present	Alarms in normal operation (eg. high/low temp.) or alarm from ext. digital input immediate or delayed	
	Clock	At least one timed defrost has been set	No timed defrost is present	Clock alarm	On if Real-Time Clock present
	Light	Auxiliary output light active	Auxiliary output light not active	Anti-sweat heater function active	
	Service		No malfunction	Malfunction (eg. EEPROM error or probe fault)	
HACCP	HACCP	HACCP function	HACCP function enabled	HACCP alarm (HA and/or HF) not enabled	
	Continuous Cycle	Enabled	Not enabled	Request	

## Setting the set point (desired temperature value)


To display or set the set point, proceed as follow:

1. press the "Set" button for more than 1 second to display the set point;
2. increase or decrease the value of the set point, using the " <sub>aux</sub>" and " <sub>def</sub>" respectively, until reaching the desired value;
3. press the "Set" button again to confirm the new value,

## Alarms with manual reset

The alarms with manual reset can be reset by pressing the " <sub>mute</sub>" and " <sub>aux</sub>" for more than 5 sec.

## Manual defrost

As well as the automatic defrost function, a manual defrost can be enabled, if the temperature conditions allow, by pressing the " <sub>def</sub>" button for more than 5 sec.

# Controller Instructions

## Continuous cycle

Pressing the buttons “ $\frac{\Delta}{aux}$ ” and “ $\frac{\nabla}{def}$ ” simultaneously for more than 5 seconds enables the continuous cycle function. During operation in continuous cycle, the compressor continues to operate for the time “cc” and it stops when it reaches the “cc” time out or the minimum temperature has been reached (AL = minimum temperature alarm threshold). Continuous cycle setting: “cc” parameter (continuous cycle duration): “cc”=0 never active; “c6” parameter (by passing the alarm after the continuous cycle): “cc” = 0 never active; it avoid or delays the low temperature alarm after the continuous cycle.

## Accessing the configuration parameter (type C)

1. Pressing the “ $\frac{Prg}{mute}$ ” and “**Set**” buttons at the same time for more than 5 sec, the display will show “00”(password prompt).
2. Use the “ $\frac{\Delta}{aux}$ ” or “ $\frac{\nabla}{def}$ ” buttons to display the number “22” (parameter access password).
3. Confirm by pressing “**Set**”.
4. The display will show the first modifiable “C” parameter.

## Accessing the configuration parameter (type F)

1. Hold the “ $\frac{Prg}{mute}$ ” button for more than 5 s (if there are active alarms, first mute the buzzer), the display will show the first modifiable “F” parameter.

## Modifying the parameters

After having displayed the parameter, either type “C” or type “F”, proceed as follows:

1. Use the “ $\frac{\Delta}{aux}$ ” or “ $\frac{\nabla}{def}$ ” buttons to scroll the parameters, until reaching the parameter to be modified; when scrolling the parameters, an icon is shown on the display that represents the category of the parameter.
2. Alternatively, press the “ $\frac{Prg}{mute}$ ” button to display a menu that can be used to quickly access the family of parameters to be modified.
3. Scrolling the menu using the “ $\frac{\Delta}{aux}$ ” and “ $\frac{\nabla}{def}$ ” buttons displays the codes of the various categories of parameter, accompanied by the corresponding icon on the display(if present).
4. Once having reached the desired category, press “**Set**” to go directly to the first parameter in the chosen category(if no parameter is visible, pressing the “**Set**” button will have no effect).
5. At this stage, modify the parameters or return to the “Category” menu, using the “ $\frac{Prg}{mute}$ ” button.
6. Press “**Set**” to display the value associated with the parameter.
7. Increase or decrease the value using the “ $\frac{\Delta}{aux}$ ” or “ $\frac{\nabla}{def}$ ” buttons respectively.
8. Press “**Set**” to temporarily save the new value and return to the display of the parameter.
9. Repeat the operation from point 1 or point 2.
10. If the parameter has sub-parameters, press “**Set**” to display the first sub-parameter.
11. Press the “ $\frac{\Delta}{aux}$ ” or “ $\frac{\nabla}{def}$ ” button to display all the sub-parameters.
12. Press “**Set**” to display the associated value.
13. Increase or decrease the value using the “ $\frac{\Delta}{aux}$ ” or “ $\frac{\nabla}{def}$ ” button respectively.
14. Press “**Set**” to temporarily save the new value and return to the display of the sub-parameter code.
15. Press “ $\frac{Prg}{mute}$ ” to return to the display of the parent parameter.

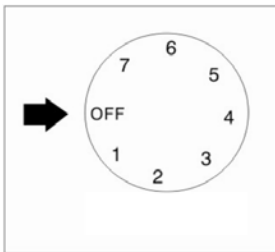
# Controller Instructions

---

## Saving the new values assigned to the parameters

To definitely save the new values of the modified parameters, press the "**Prg**" mute button for more than 5 seconds, thus exiting the parameter setting procedure. All the modification made to the parameters temporarily saved in the RAM, can be cancelled and "normal operation" resumed by not pressing any button for 60 seconds, thus allowing the parameter setting session to expire due to timeout if the Instrument is switched off before pressing the "**Prg**" mute button, all the modifications made to the parameters and temporarily saved will be lost.

## Mechanical Controller Instructions



OFF: shut the compressor off

Temperature range from 7 (coldest) to 1 (warmest).

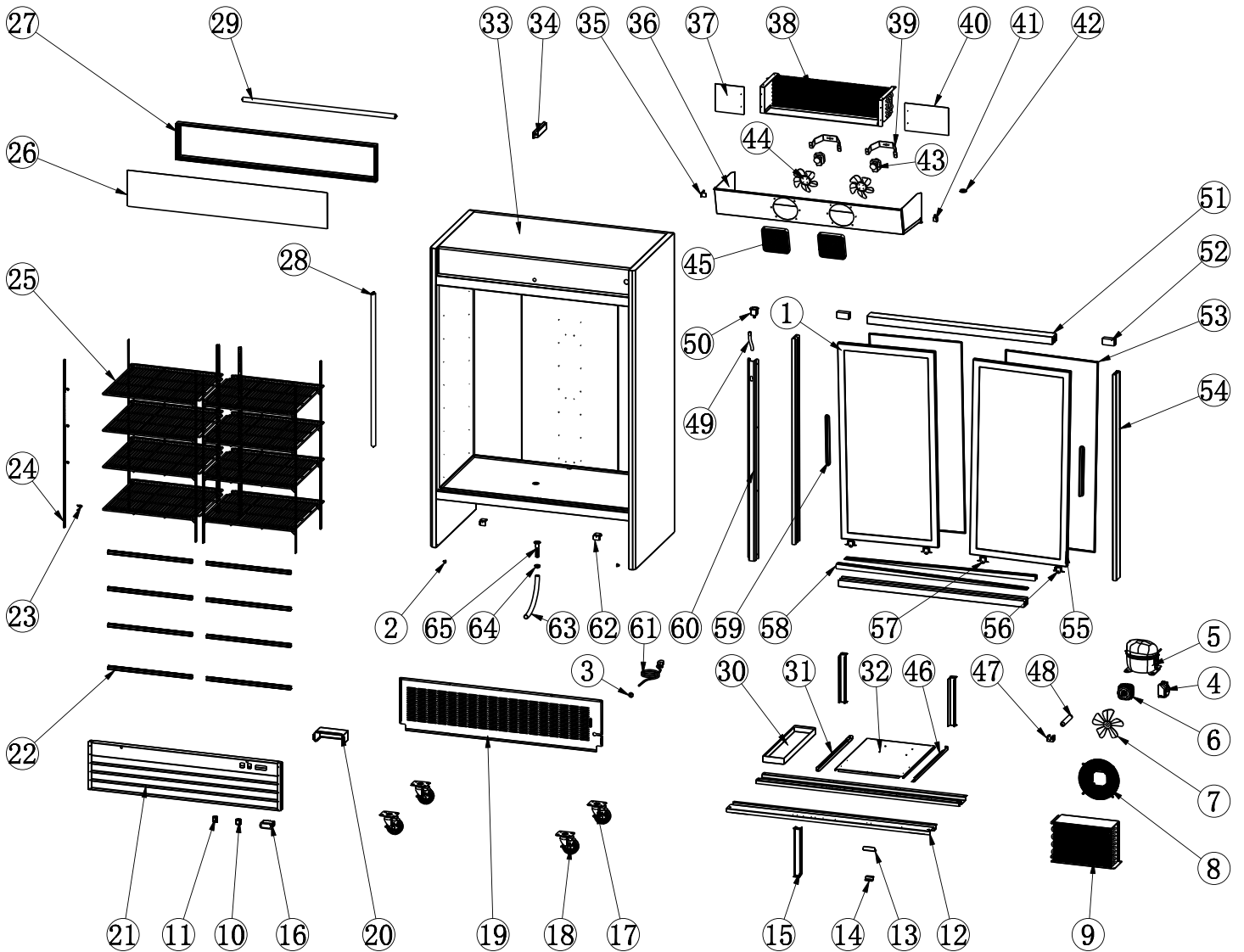
**CAUTION:** Setting the temperature control to the coldest setting may cause the evaporator coil to freeze and ice up. This will eventually result in a warmer cabinet temperature.



# Parts Breakdown

**Model RE-CN-0045-HC 50032**

**Model RE-CN-0045-HC-BK 51032**



# Parts Breakdown

## Model RE-CN-0045-HC 50032

Item No.	Description	Position	Item No.	Description	Position	Item No.	Description	Position
AA766	Left Glass Door for 50032	1	AA809	K Strip for 50032	24	AB595	Filter Fixer for 50032	47
AA767	Front Grill Fixer for 50032	2	AA779	Shelf for 50032	25	AB594	Filter D25x160-B for 50032	48
AA703	Power Cord Cover for 50032	3	AA780	Light Plate for 50032	26	AA528	Inner Drain Pipe for 50032	49
AE876	Compressor for 50032	5	AA781	Light Box for 50032	27	AA712	Inner Drain Tube Connector for 50032	50
AA984	Condenser Fan Motor for 50032	6	AA722	LED Light for 50032	28	AA796	Upper Cabinet Frame for 50032	51
AA764	Condenser/Evaporator Fan Motor Blade for 50032	7	AA782	LED Light in Light Box for 50032	29	AG050	Bottom Cabinet Frame for 50032	51
AA249	Condenser Fan Motor Cover for 50032	8	AB959	Outer Drain Pan for 50032	30	AA797	Rubber Limited Block for 50032	52
AA770	Condenser for 50032	9	AE892	Left Rail for Installation Board for 50032	31	AA798	Seal Strip for 50032	53
AA362	LED Light Switch for 50032	10	AE893	Installation Board for 50032	32	AG051	Left/Right Cabinet Frame for 50032	54
AA124	Power Switch for 50032	11	AA787	LED Power Supply for 50032	34	AA800	Right Glass Door for 50032	55
AE878	Caster Supporter for 50032	12	AB962	Left Bracket for Evaporator Fan Cover for 50032	35	AA801	Bigger Wheel for Door for 50032	56
AB974	Handle for Installation Board for 50032	13	AE886	Evaporator Cover for 50032	36	AA802	Smaller Wheel for Door for 50032	57
AA304	Installation Board Limited Block for 50032	14	AE887	Left End Plate for Evaporator for 50032	37	AG052	Door Track for 50032	58
AE879	Support Rod for 50032	15	AA791	Evaporator for 50032	38	62363	Door Handle for 50032	59
AB109	Thermostat for 50032	16	AA757	Evaporator Fan Motor Bracket for 50032	39	AE891	Air Pipe Protection Board for 50032	60
26247	Caster without Brake for 50032	17	AE888	Right End Plate for Evaporator for 50032	40	AA805	Power Cord for 50032	61
26246	Caster with Brake for 50032	18	AA793	Right Bracket for Evaporator Fan Cover for 50032	41	AG053	Grill Fixer for 50032	62
AE881	Back Grill for 50032	19	AA794	Power Cord Cover for 50032	42	AA216	Drain Tube for 50032	63
AA214	Thermostat Water Proof Cover for 50032	20	68809	Evaporator Fan Motor EM3020-28-C04 / 110V for 50032	43	AA687	Drain Pipe Cover for 50032	64
AG049	Front Grill for 50032	21	61219	Evaporator Fan Blade V154/22 for 50032	44	AA686	Plastic Drain Pipe with Fixer for 50032	65
AA777	Shelf Tag for 50032	22	AA710	Evaporator Fan Motor Cover for 50032	45			
26884	K Clip for 50032	23	AE894	Right Rail for Installation Board for 50032	46			

# Parts Breakdown

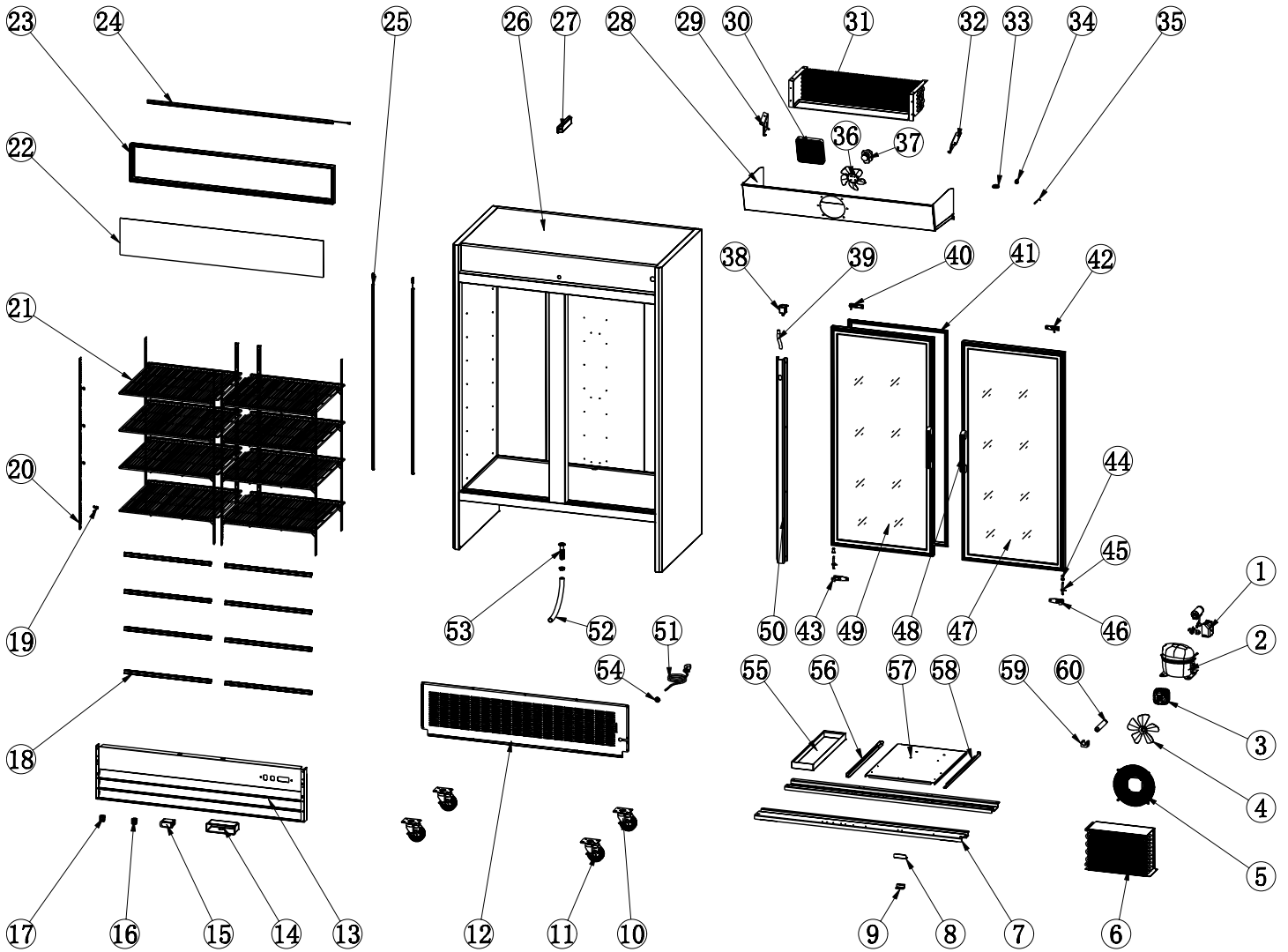
## Model RE-CN-0045-HC-BK 51032

Item No.	Description	Position	Item No.	Description	Position	Item No.	Description	Position
AA766	Left Glass Door for 51032	1	AA809	K Strip for 51032	24	AB595	Filter Fixer for 51032	47
AA767	Front Grill Fixer for 51032	2	AA779	Shelf for 51032	25	AB594	Filter D25x160-B for 51032	48
AA703	Power Cord Cover for 51032	3	AA780	Light Plate for 51032	26	AA528	Inner Drain Pipe for 51032	49
AE876	Compressor for 51032	5	AA781	Light Box for 51032	27	AA712	Inner Drain Tube Connector for 51032	50
AA984	Condenser Fan Motor for 51032	6	AA722	LED Light for 51032	28	AA796	Upper Cabinet Frame for 51032	51
AA764	Condenser/Evaporator Fan Motor Blade for 51032	7	AA782	LED Light in Light Box for 51032	29	AG050	Bottom Cabinet Frame for 51032	51
AA249	Condenser Fan Motor Cover for 51032	8	AB959	Outer Drain Pan for 51032	30	AA797	Rubber Limited Block for 51032	52
AA770	Condenser for 51032	9	AE892	Left Rail for Installation Board for 51032	31	AA798	Seal Strip for 51032	53
AA362	LED Light Switch for 51032	10	AE893	Installation Board for 51032	32	AG051	Left/Right Cabinet Frame for 51032	54
AA124	Power Switch for 51032	11	AA787	LED Power Supply for 51032	34	AA800	Right Glass Door for 51032	55
AE878	Caster Supporter for 51032	12	AB962	Left Bracket for Evaporator Fan Cover for 51032	35	AA801	Bigger Wheel for Door for 51032	56
AB974	Handle for Installation Board for 51032	13	AE886	Evaporator Cover for 51032	36	AA802	Smaller Wheel for Door for 51032	57
AA304	Installation Board Limited Block for 51032	14	AE887	Left End Plate for Evaporator for 51032	37	AG052	Door Track for 51032	58
AE879	Support Rod for 51032	15	AA791	Evaporator for 51032	38	62363	Door Handle for 51032	59
AB109	Thermostat for 51032	16	AA757	Evaporator Fan Motor Bracket for 51032	39	AE891	Air Pipe Protection Board for 51032	60
26247	Caster without Brake for 51032	17	AE888	Right End Plate for Evaporator for 51032	40	AA805	Power Cord for 51032	61
26246	Caster with Brake for 51032	18	AA793	Right Bracket for Evaporator Fan Cover for 51032	41	AG053	Grill Fixer for 51032	62
AE881	Back Grill for 51032	19	AA794	Power Cord Cover for 51032	42	AA216	Drain Tube for 51032	63
AA214	Thermostat Water Proof Cover for 51032	20	68809	Evaporator Fan Motor EM3020-28-C04 / 110V for 51032	43	AA687	Drain Pipe Cover for 51032	64
AN125	Front Grill for 51032	21	61219	Evaporator Fan Blade V154/22 for 51032	44	AA686	Plastic Drain Pipe with Fixer for 51032	65
AA777	Shelf Tag for 51032	22	AA710	Evaporator Fan Motor Cover for 51032	45			
26884	K Clip for 51032	23	AE894	Right Rail for Installation Board for 51032	46			

# Parts Breakdown

**Model RE-CN-0045-HC-SW 52032**

**Model RE-CN-0045-HC-SB 53032**



# Parts Breakdown

## Model RE-CN-0045-HC-SW 52032

Item No.	Description	Position	Item No.	Description	Position	Item No.	Description	Position
AG557	Parts of Compressor for 52032	1	AN128	Left Shelf for 52032	21	AB966	Upper Right Hinge Holder for 52032	42
AE915	Compressor (T6217Z) for 52032	2	AE884	Light Box Plate for 52032	22	AN137	Bottom Left Hinge for 52032	43
AM942	Condenser Fan Motor for 52032	3	AE885	Light Box Frame for 52032	23	AA715	Axis Cover for 52032	44
AA764	Condenser/Evaporator Fan Motor Blade for 52032	4	AN129	LED Light in Light Box for 52032	24	AA714	Hinge Axis for 52032	45
AL996	Condenser Fan Cover for 52032	5	AG461	LED Light for 52032	25	AN138	Bottom Right Hinge for 52032	46
AA300	Condenser for 52032	6	AN130	LED Power Supply for 52032	27	AE875	Right Glass Door for 52032	47
AE878	Caster Supporter for 52032	7	AN131	Evaporator Cover for 52032	28	AN139	Glass Door Handle for 52032	48
AB974	Handle for Installation Board for 52032	8	AN132	Left Evaporator Fan Fixer for 52032	29	AE874	Left Glass Door for 52032	49
AA304	Installation Board Limited Block for 52032	9	AH713	Evaporator Fan Motor Cover for 52032	30	AE891	Air Pipe Protection Board for 52032	50
26247	Caster without Brake for 52032	10	AN133	Evaporator for 52032	31	AA135	Power Cord for 52032	51
26246	Caster with Brake for 52032	11	AN134	Right Evaporator Fan Fixer for 52032	32	AA216	Drain Tube for 52032	52
AN126	Back Grill for 52032	12	AA794	Power Cord Cover for 52032	33	AA686	Plastic Drain Pipe with Fixer for 52032	53
AE882	Front Grill for 52032	13	AN135	Fixer for Probe for 52032	34	AA703	Power Cord Cover for 52032	54
AI385	Waterproof Cover of Thermostat for 52032	14	AI382	Temperature Probe for 52032	35	AA874	Outer Drain Pan for 52032	55
27185	Carel Controller PJEZ for 52032	15	AA764	Condenser/Evaporator Fan Motor Blade for 52032	36	AE892	Left Rail for Installation Board for 52032	56
AA362	LED Light Switch for 52032	16	AG448	Evaporator Fan Motor for 52032	37	AE893	Installation Board for 52032	57
AA124	Power Switch for 52032	17	AA712	Inner Drain Tube Connector for 52032	38	AE894	Right Rail for Installation Board for 52032	58
AA777	Shelf Tag for 52032	18	AA528	Inner Drain Pipe for 52032	39	AB595	Filter Fixer for 52032	59
26884	K Clip for 52032	19	AE890	Upper Left Hinge for 52032	40	AI968	Filter for 52032	60
AN127	K Strip for 52032	20	AN136	Door Gasket for 52032	41			

# Parts Breakdown

## Model RE-CN-0045-HC-SB 53032

Item No.	Description	Position	Item No.	Description	Position	Item No.	Description	Position
AG557	Parts of Compressor for 53032	1	AN128	Left Shelf for 53032	21	AB966	Upper Right Hinge Holder for 53032	42
AE915	Compressor (T6217Z) for 53032	2	AE884	Light Box Plate for 53032	22	AN137	Bottom Left Hinge for 53032	43
AM942	Condenser Fan Motor for 53032	3	AE885	Light Box Frame for 53032	23	AA715	Axis Cover for 53032	44
AA764	Condenser/Evaporator Fan Motor Blade for 53032	4	AN129	LED Light in Light Box for 53032	24	AA714	Hinge Axis for 53032	45
AL996	Condenser Fan Cover for 53032	5	AG461	LED Light for 53032	25	AN138	Bottom Right Hinge for 53032	46
AA300	Condenser for 53032	6	AN130	LED Power Supply for 53032	27	AE875	Right Glass Door for 53032	47
AE878	Caster Supporter for 53032	7	AN131	Evaporator Cover for 53032	28	AN139	Glass Door Handle for 53032	48
AB974	Handle for Installation Board for 53032	8	AN132	Left Evaporator Fan Fixer for 53032	29	AE874	Left Glass Door for 53032	49
AA304	Installation Board Limited Block for 53032	9	AH713	Evaporator Fan Motor Cover for 53032	30	AE891	Air Pipe Protection Board for 53032	50
26247	Caster without Brake for 53032	10	AN133	Evaporator for 53032	31	AA135	Power Cord for 53032	51
26246	Caster with Brake for 53032	11	AN134	Right Evaporator Fan Fixer for 53032	32	AA216	Drain Tube for 53032	52
AN126	Back Grill for 53032	12	AA794	Power Cord Cover for 53032	33	AA686	Plastic Drain Pipe with Fixer for 53032	53
AN140	Front Grill for 53032	13	AN135	Fixer for Probe for 53032	34	AA703	Power Cord Cover for 53032	54
AI385	Waterproof Cover of Thermostat for 53032	14	AI382	Temperature Probe for 53032	35	AA874	Outer Drain Pan for 53032	55
27185	Carel Controller PJEZ for 53032	15	AA764	Condenser/Evaporator Fan Motor Blade for 53032	36	AE892	Left Rail for Installation Board for 53032	56
AA362	LED Light Switch for 53032	16	AG448	Evaporator Fan Motor for 53032	37	AE893	Installation Board for 53032	57
AA124	Power Switch for 53032	17	AA712	Inner Drain Tube Connector for 53032	38	AE894	Right Rail for Installation Board for 53032	58
AA777	Shelf Tag for 53032	18	AA528	Inner Drain Pipe for 53032	39	AB595	Filter Fixer for 53032	59
26884	K Clip for 53032	19	AE890	Upper Left Hinge for 53032	40	AI968	Filter for 53032	60
AN127	K Strip for 53032	20	AN136	Door Gasket for 53032	41			



# Parts Breakdown

## Model RE-CN-0009-HC 50033

Item No.	Description	Position	Item No.	Description	Position	Item No.	Description	Position
AE895	Castor Supporter for 50033	1	AB974	Handle for Installation Board for 50033	18	AA705	Condenser Fan Motor for 50033	35
AE896	Right Track for Installation Board for 50033	2	AE900	K Strip for 50033	19	AA207	Condenser Fan Motor Cover for 50033	36
AA185	Leveling Feet for 50033	3	26884	K Clip for 50033	20	AB594	Filter for 50033	37
AE897	Left Track for Installation Board for 50033	4	AA693	Shelf Tag for 50033	21	AB595	Filter Fixer for 50033	38
AE898	Back Plate for 50033	5	AA694	Shelf for 50033	22	AE904	Compressor Unit Installation Board for 50033	39
AA528	Inner Drain Pipe for 50033	6	AA695	Glass Door Handle for 50033	23	AE905	Outer Drain Pan for 50033	40
AA214	Thermostat Water Proof Cover for 50033	7	AA696	Glass Door for 50033	24	AE906	Compressor for 50033	41
AA216	Drain Tube for 50033	8	AA697	Glass Door Gasket for 50033	25	AA208	Condenser Fan Blade for 50033	42
AA686	Plastic Drain Pipe with Fixer for 50033	9, 10	AA699	Upper Right Hinge Holder for 50033	27	AA709	Condenser for 50033	43
AA687	Drain Pipe Cover for 50033	11	AA304	Installation Board Limited Block for 50033	28	AA710	Evaporator Fan Motor Cover for 50033	44
AE899	Front Grille for 50033	12	AE901	Evaporator Fan Motor for 50033	29	AA711	LED Power Supply for 50033	45
AB109	Thermostat for 50033	13	AE902	Evaporator Cover for 50033	30	AA712	Inner Drain Tube Connector for 50033	46
AA362	LED Light Switch for 50033	14	AA702	Evaporator for 50033	31	AA713	Bottom Right Hinge Holder for 50033	47
AA124	Power Switch for 50033	15	AA135	Power Cord for 50033	32	AA714	Hinge Axis for 50033	48
AA689	Upper Hinge Cover for 50033	16	AA703	Power Cord Cover for 50033	33	AA715	Axis Cover for 50033	49
AA690	LED Light for 50033	17	AE903	Back Grill for 50033	34			



# Parts Breakdown

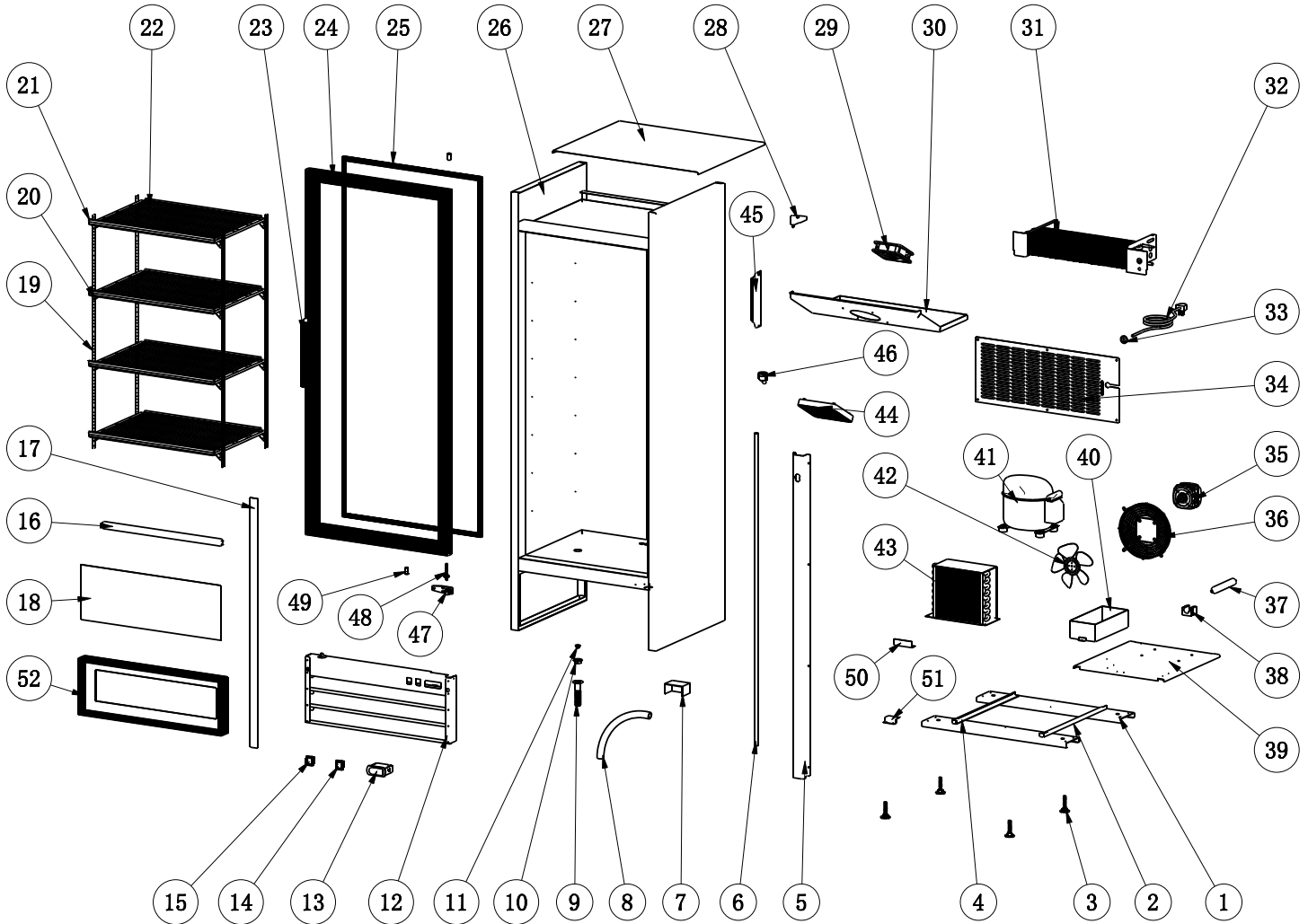
## Model RE-CN-0009-HC-BK 51033

Item No.	Description	Position	Item No.	Description	Position	Item No.	Description	Position
AE895	Castor Supporter for 51033	1	AB974	Handle for Installation Board for 51033	18	AA705	Condenser Fan Motor for 51033	35
AE896	Right Track for Installation Board for 51033	2	AE900	K Strip for 51033	19	AA207	Condenser Fan Motor Cover for 51033	36
AA185	Leveling Feet for 51033	3	26884	K Clip for 51033	20	AB594	Filter for 51033	37
AE897	Left Track for Installation Board for 51033	4	AA693	Shelf Tag for 51033	21	AB595	Filter Fixer for 51033	38
AE898	Back Plate for 51033	5	AA694	Shelf for 51033	22	AE904	Compressor Unit Installation Board for 51033	39
AA528	Inner Drain Pipe for 51033	6	AA695	Glass Door Handle for 51033	23	AE905	Outer Drain Pan for 51033	40
AA214	Thermostat Water Proof Cover for 51033	7	AA696	Glass Door for 51033	24	AE906	Compressor for 51033	41
AA216	Drain Tube for 51033	8	AA697	Glass Door Gasket for 51033	25	AA208	Condenser Fan Blade for 51033	42
AA686	Plastic Drain Pipe with Fixer for 51033	9, 10	AA699	Upper Right Hinge Holder for 51033	27	AA709	Condenser for 51033	43
AA687	Drain Pipe Cover for 51033	11	AA304	Installation Board Limited Block for 51033	28	AA710	Evaporator Fan Motor Cover for 51033	44
AN141	Front Grille for 51033	12	AE901	Evaporator Fan Motor for 51033	29	AA711	LED Power Supply for 51033	45
AB109	Thermostat for 51033	13	AE902	Evaporator Cover for 51033	30	AA712	Inner Drain Tube Connector for 51033	46
AA362	LED Light Switch for 51033	14	AA702	Evaporator for 51033	31	AA713	Bottom Right Hinge Holder for 51033	47
AA124	Power Switch for 51033	15	AA135	Power Cord for 51033	32	AA714	Hinge Axis for 51033	48
AA689	Upper Hinge Cover for 51033	16	AA703	Power Cord Cover for 51033	33	AA715	Axis Cover for 51033	49
AA690	LED Light for 51033	17	AE903	Back Grill for 51033	34			

# Parts Breakdown

**Model RE-CN-0014-H** 50035

**Model RE-CN-0014-HC-BK** 51035



# Parts Breakdown

## Model RE-CN-0014-H 50035

Item No.	Description	Position	Item No.	Description	Position	Item No.	Description	Position
AE907	Castor Supporter for 50035	1	AE911	K Strip for 50035	19	AB594	Filter for 50035	37
AE896	Right Track for Installation Board for 50035	2	26884	K Clip for 50035	20	AB595	Filter Fixer for 50035	38
AA185	Leveling Feet for 50035	3	AA725	Shelf Tag for 50035	21	AE904	Compressor Unit Installation Board for 50035	39
AE897	Left Track for Installation Board for 50035	4	AA726	Shelf for 50035	22	AE905	Outer Drain Pan for 50035	40
AE908	Air Pipe Protection Board for 50035	5	AA695	Glass Door Handle for 50035	23	AE906	Compressor for 50035	41
AA528	Inner Drain Pipe for 50035	6	AA727	Glass Door for 50035	24	AA208	Condenser Fan Blade for 50035	42
AA214	Thermostat Water Proof Cover for 50035	7	AA728	Glass Door Gasket for 50035	25	AA709	Condenser for 50035	43
AA216	Drain Tube for 50035	8	AE912	Top Cover for 50035	27	AA710	Evaporator Fan Motor Cover for 50035	44
AA686	Plastic Drain Pipe with Fixer for 50035	9, 10	AB966	Upper Right Hinge Holder for 50035	28	AA711	LED Power Supply for 50035	45
AA687	Drain Pipe Cover for 50035	11	AE901	Evaporator Fan Motor for 50035	29	AA712	Inner Drain Tube Connector for 50035	46
AE909	Front Grille for 50035	12	AE913	Evaporator Cover for 50035	30	AA713	Bottom Right Hinge Holder for 50035	47
AB109	Thermostat for 50035	13	AA733	Evaporator for 50035	31	AA714	Hinge Axis for 50035	48
AA362	LED Light Switch for 50035	14	AA135	Power Cord for 50035	32	AA715	Axis Cover for 50035	49
AA124	Power Switch for 50035	15	AA703	Power Cord Cover for 50035	33	AB974	Handle for Installation Board for 50035	50
AE910	LED in Light Box for 50035	16	AE914	Back Grill for 50035	34	AA304	Installation Board Limited Block for 50035	51
AA722	LED Light for 50035	17	AA705	Condenser Fan Motor for 50035	35	AA740	Light Box Frame for 50035	52
AA723	Handle of Installation Board for 50035	18	AA207	Condenser Fan Motor Cover for 50035	36			

# Parts Breakdown

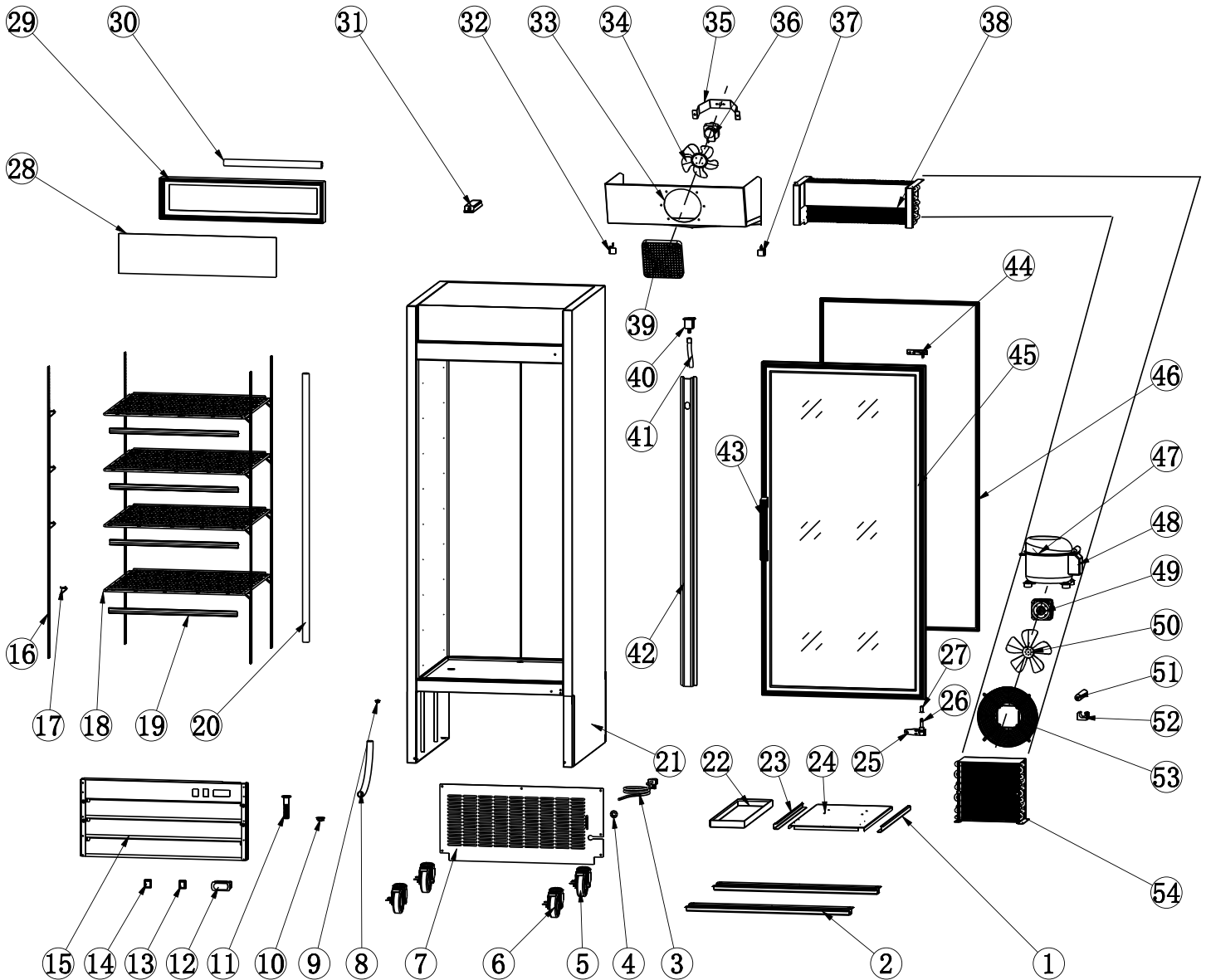
## Model RE-CN-0014-HC-BK 51035

Item No.	Description	Position	Item No.	Description	Position	Item No.	Description	Position
AE907	Castor Supporter for 51035	1	AE911	K Strip for 51035	19	AB594	Filter for 51035	37
AE896	Right Track for Installation Board for 51035	2	26884	K Clip for 51035	20	AB595	Filter Fixer for 51035	38
AA185	Leveling Feet for 51035	3	AA725	Shelf Tag for 51035	21	AE904	Compressor Unit Installation Board for 51035	39
AE897	Left Track for Installation Board for 51035	4	AA726	Shelf for 51035	22	AE905	Outer Drain Pan for 51035	40
AE908	Air Pipe Protection Board for 51035	5	AA695	Glass Door Handle for 51035	23	AE906	Compressor for 51035	41
AA528	Inner Drain Pipe for 51035	6	AA727	Glass Door for 51035	24	AA208	Condenser Fan Blade for 51035	42
AA214	Thermostat Water Proof Cover for 51035	7	AA728	Glass Door Gasket for 51035	25	AA709	Condenser for 51035	43
AA216	Drain Tube for 51035	8	AE912	Top Cover for 51035	27	AA710	Evaporator Fan Motor Cover for 51035	44
AA686	Plastic Drain Pipe with Fixer for 51035	9, 10	AB966	Upper Right Hinge Holder for 51035	28	AA711	LED Power Supply for 51035	45
AA687	Drain Pipe Cover for 51035	11	AE901	Evaporator Fan Motor for 51035	29	AA712	Inner Drain Tube Connector for 51035	46
AN142	Front Grille for 51035	12	AE913	Evaporator Cover for 51035	30	AA713	Bottom Right Hinge Holder for 51035	47
AB109	Thermostat for 51035	13	AA733	Evaporator for 51035	31	AA714	Hinge Axis for 51035	48
AA362	LED Light Switch for 51035	14	AA135	Power Cord for 51035	32	AA715	Axis Cover for 51035	49
AA124	Power Switch for 51035	15	AA703	Power Cord Cover for 51035	33	AB974	Handle for Installation Board for 51035	50
AE910	LED in Light Box for 51035	16	AE914	Back Grill for 51035	34	AA304	Installation Board Limited Block for 51035	51
AA722	LED Light for 51035	17	AA705	Condenser Fan Motor for 51035	35	AA740	Light Box Frame for 51035	52
AA723	Handle of Installation Board for 51035	18	AA207	Condenser Fan Motor Cover for 51035	36			

# Parts Breakdown

**Model RE-CN-0023-HC** 50036

**Model RE-CN-0023-H** 50037



# Parts Breakdown

## Model RE-CN-0023-HC 50036

Item No.	Description	Position	Item No.	Description	Position	Item No.	Description	Position
AB953	Right Track for Installation Board for 50036	1	AA748	Shelf Tag for 50036	19	AA793	Right Bracket for Evaporator Fan Cover for 50036	37
AB954	Castor Supporter for 50036	2	AA722	LED Light for 50036	20	AA759	Evaporator for 50036	38
AA135	Power Cord for 50036	3	AB959	Outer Drain Pan for 50036	22	AA710	Evaporator Fan Motor Cover for 50036	39
AA703	Power Cord Cover for 50036	4	AB960	Left Track for Installation Board for 50036	23	AA712	Inner Drain Tube Connector for 50036	40
26247	Caster without Brake for 50036	5	AB961	Compressor Unit Installation Board for 50036	24	AA528	Inner Drain Pipe for 50036	41
26246	Caster with Brake for 50036	6	AA713	Bottom Right Hinge Holder for 50036	25	AB965	Air Pipe Protection Board for 50036	42
AA898	Back Grill for 50036	7	AA714	Hinge Axis for 50036	26	AA695	Glass Door Handle for 50036	43
AA216	Drain Tube for 50036	8	AA715	Axis Cover for 50036	27	AB966	Upper Right Hinge Holder for 50036	44
AA687	Drain Pipe Cover for 50036	9	AA753	Light Box Plate for 50036	28	AA761	Glass Door for 50036	45
AA686	Plastic Drain Pipe with Fixer for 50036	10, 11	AA754	Light Box Frame for 50036	29	AA762	Gasket for 50036	46
AB109	Thermostat for 50036	12	AA721	LED in Light Box for 50036	30	AE906	Compressor for 50036	47
AA362	LED Light Switch for 50036	13	AA711	LED Power Supply for 50036	31	AA984	Condenser Fan Motor for 50036	49
AA124	Power Switch for 50036	14	AB962	Left Bracket for Evaporator Fan Cover for 50036	32	AA764	Condenser/Evaporator Fan Motor Blade for 50036	50
AB956	Front Grill for 50036	15	AB963	Evaporator Cover for 50036	33	AB594	Filter for 50036	51
AA809	K Strip for 50036	16	61219	Evaporator Fan Blade V154/22 for 50036	34	AB595	Filter Fixer for 50036	52
26884	K Clip for 50036	17	AA757	Evaporator Fan Motor Bracket for 50036	35	AA249	Condenser Fan Motor Cover for 50036	53
AA747	Shelf for 50036	18	68809	Evaporator Fan Motor EM3020-28-C04 / 110V for 50036	36	AA250	Condenser for 50036	54



# Parts Breakdown

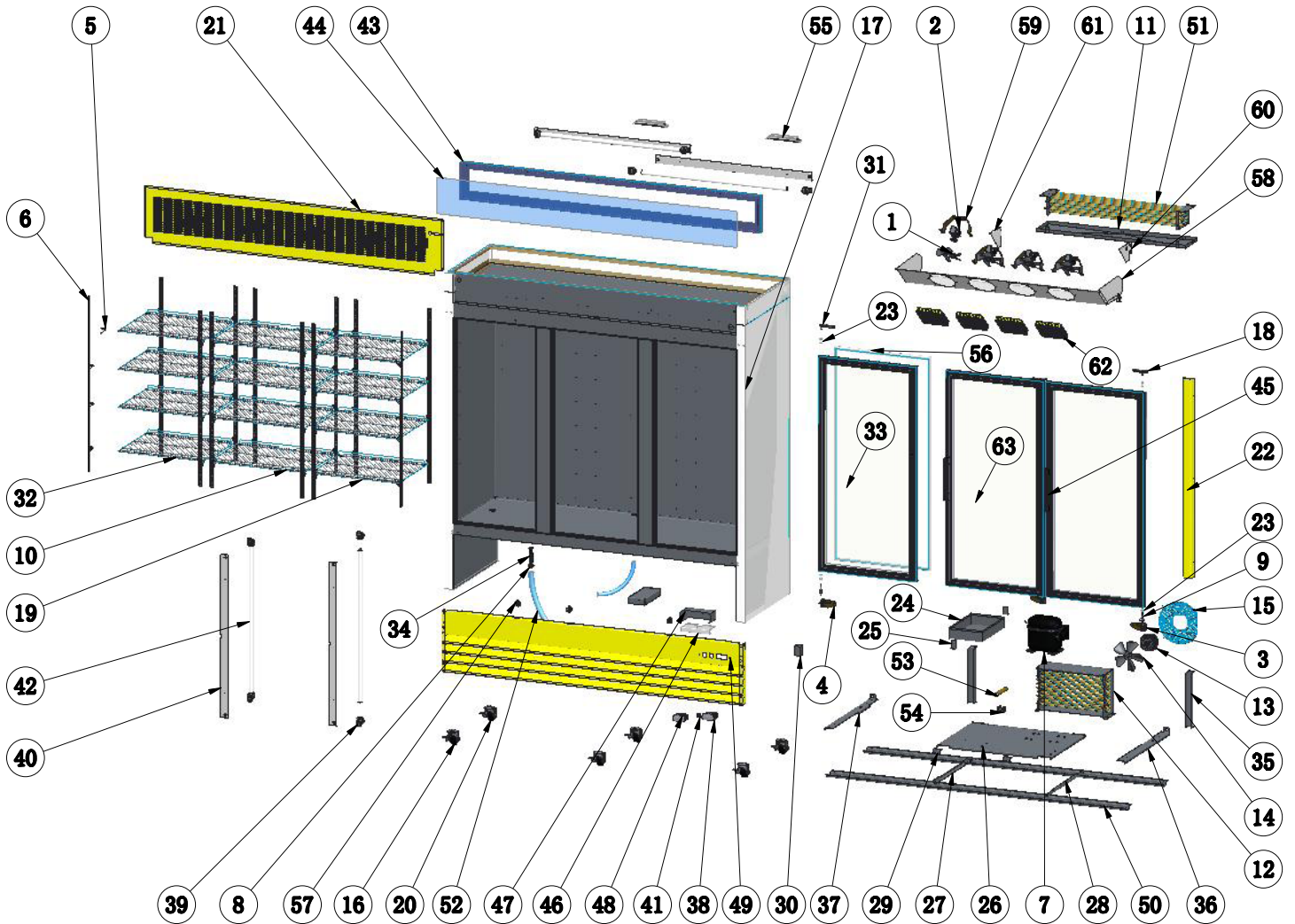
## Model RE-CN-0023-H 50037

Item No.	Description	Position	Item No.	Description	Position	Item No.	Description	Position
AB953	Right Track for Installation Board for 50037	1	AA748	Shelf Tag for 50037	19	AA793	Right Bracket for Evaporator Fan Cover for 50037	37
AB954	Castor Supporter for 50037	2	AA722	LED Light for 50037	20	AA759	Evaporator for 50037	38
AA135	Power Cord for 50037	3	AB959	Outer Drain Pan for 50037	22	AA710	Evaporator Fan Motor Cover for 50037	39
AA703	Power Cord Cover for 50037	4	AB960	Left Track for Installation Board for 50037	23	AA712	Inner Drain Tube Connector for 50037	40
26247	Caster without Brake for 50037	5	AB961	Compressor Unit Installation Board for 50037	24	AA528	Inner Drain Pipe for 50037	41
26246	Caster with Brake for 50037	6	AA713	Bottom Right Hinge Holder for 50037	25	AB965	Air Pipe Protection Board for 50037	42
AA898	Back Grill for 50037	7	AA714	Hinge Axis for 50037	26	AA695	Glass Door Handle for 50037	43
AA216	Drain Tube for 50037	8	AA715	Axis Cover for 50037	27	AB966	Upper Right Hinge Holder for 50037	44
AA687	Drain Pipe Cover for 50037	9	AA753	Light Box Plate for 50037	28	AA761	Glass Door for 50037	45
AA686	Plastic Drain Pipe with Fixer for 50037	10, 11	AA754	Light Box Frame for 50037	29	AA762	Gasket for 50037	46
AB109	Thermostat for 50037	12	AA721	LED in Light Box for 50037	30	AE906	Compressor for 50037	47
AA362	LED Light Switch for 50037	13	AA711	LED Power Supply for 50037	31	AA984	Condenser Fan Motor for 50037	49
AA124	Power Switch for 50037	14	AB962	Left Bracket for Evaporator Fan Cover for 50036, 50037	32	AA764	Condenser/Evaporator Fan Motor Blade for 50037	50
AN143	Front Grill for 50037	15	AB963	Evaporator Cover for 50037	33	AB594	Filter for 50037	51
AA809	K Strip for 50037	16	61219	Evaporator Fan Blade V154/22 for 50037	34	AB595	Filter Fixer for 50037	52
26884	K Clip for 50037	17	AA757	Evaporator Fan Motor Bracket for 50037	35	AA249	Condenser Fan Motor Cover for 50037	53
AA747	Shelf for 50037	18	68809	Evaporator Fan Motor EM3020-28-C04 / 110V for 50037	36	AA250	Condenser for 50037	54

# Parts Breakdown

**Model RE-CN-0052-HC** 50052

**Model RE-CN-0052-HC-BK** 51052





# Parts Breakdown

## Model RE-CN-0052-HC 50052

Item No.	Description	Position	Item No.	Description	Position	Item No.	Description	Position
61219	Evaporator Fan Blade V154/22 for 50052	1	AE919	Air Pipe Protection Board for 50052	22	AA837	Light Box Plate for 50052	44
68809	Evaporator Fan Motor EM3020-28-C04 / 110V for 50052	2	AA715	Axis Cover for 50052	23	AA695	Glass Door Handle for 50052	45
AA807	Bottom Right Hinge Holder for 50052	3	AB970	Outer Drain Pan for 50052	24	AE926	Thermostat Installation Plate for 50052	46
AA808	Bottom Left Hinge Holder for 50052	4	AA304	Installation Board Limited Block for 50052	25, 29	AB975	Waterproof Cover of Thermostat for 50052	47
26884	K Clip for 50052	5	AE920	Installation Board for 50052	26	AA124	Power Switch for 50052	48
AA809	K Strip for 50052	6	AE894	Right Rail for Installation Board for 50052	27	AE927	Front Grill for 50052	49
AE915	Compressor (T6217Z) for 50052	7	AE892	Left Rail for Installation Board for 50052	28	AE928	Caster Supporter for 50052	50
AA687	Drain Pipe Cover for 50052	8	AB974	Handle for Installation Board for 50052	30	AA842	Evaporator for 50052	51
AA810	Bottom Hinge Axis for 50052	9	AE921	Upper Left Hinge Holder for 50052	31	AA216	Drain Tube for 50052	52
AA811	Middle Shelf for 50052	10	AA830	Left Glass Door for 50052	33	AB594	Filter for 50052	53
AE916	Inner Drain Pan for 50052	11	AA686	Plastic Drain Pipe with Fixer for 50052	34	AB595	Filter Fixer for 50052	54
AA300	Condenser for 50052	12	AE922	Supporting Board for 50052	35	AA787	LED Power Supply for 50052	55
AA813	Condenser Fan Motor for 50052	13	AE923	Right Connecting Board for Caster for 50052	36	AE929	Gasket for 50052	56
AA814	Condenser Fan Motor Blade for 50052	14	AE924	Left Connecting Board for Caster for 50052	37	AA844	Door Switch for 50052	57
AB077	Condenser Fan Cover for 50052	15	AB109	Thermostat for 50052	38	AE930	Evaporator Cover for 50052	58
26246	Caster with Brake for 50052	16	AE925	Fixer for Inner LED Light for 50052	39	AA757	Evaporator Fan Motor Bracket for 50052	59
AA857	Upper Right Hinge Holder for 50052	18	AA835	LED Inside Cabinet for 50052	40	AB987	Right End Plate for Evaporator for 50052	60
AE917	Shelf for 50052	19, 32	AA362	LED Light Switch for 50052	41	AB993	Left End Plate for Evaporator for 50052	61
26247	Caster without Brake for 50052	20	AA722	LED Light for 50052	42	AA710	Evaporator Fan Motor Cover for 50052	62
AE918	Back Grill for 50052	21	AA836	Light Box Frame for 50052	43	AE931	Right Glass Door for 50052	63

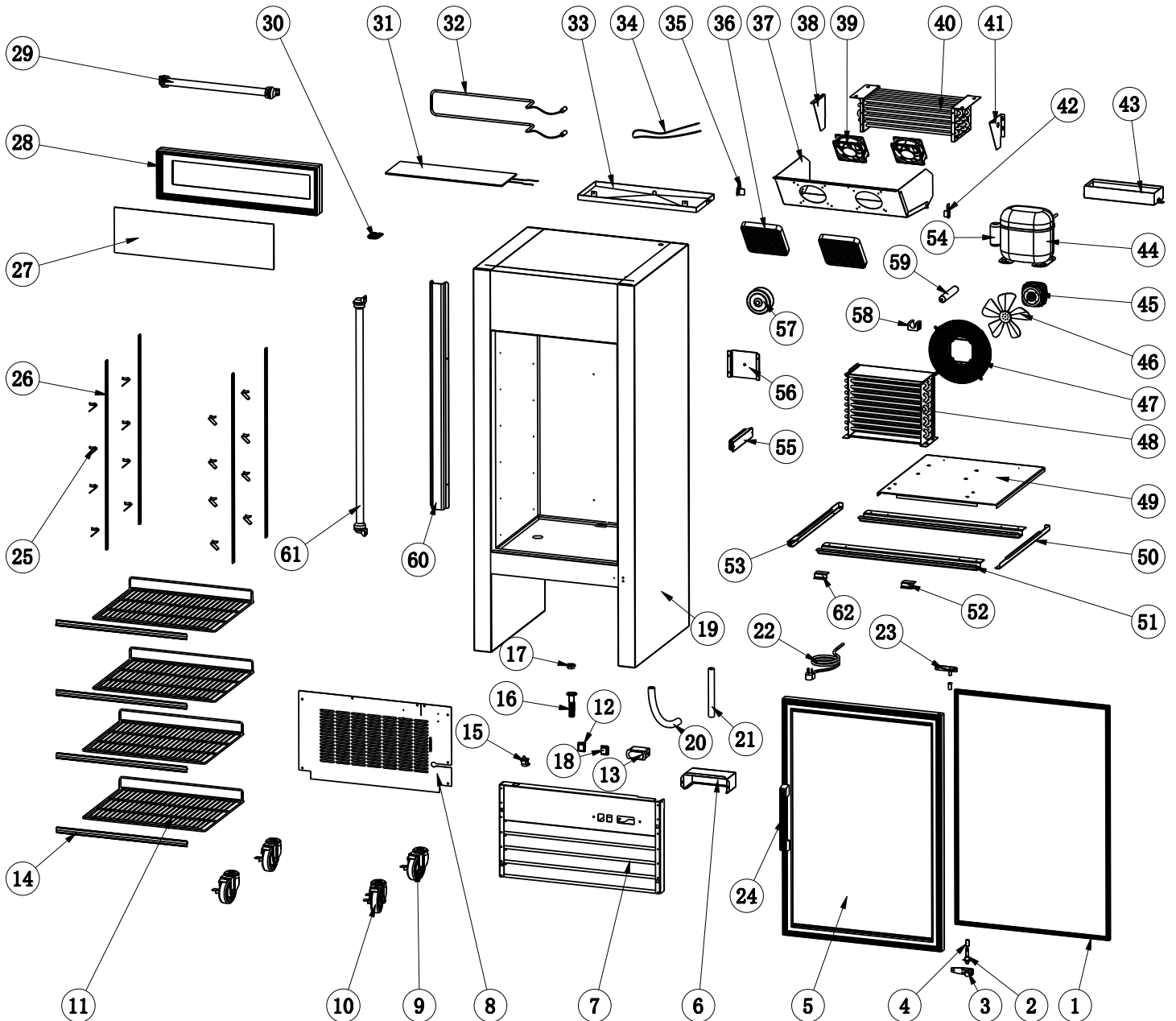
# Parts Breakdown

## Model RE-CN-0052-HC-BK 51052

Item No.	Description	Position	Item No.	Description	Position	Item No.	Description	Position
61219	Evaporator Fan Blade V154/22 for 51052	1	AE919	Air Pipe Protection Board for 51052	22	AA837	Light Box Plate for 51052	44
68809	Evaporator Fan Motor EM3020-28-C04 / 110V for 51052	2	AA715	Axis Cover for 51052	23	AA695	Glass Door Handle for 51052	45
AA807	Bottom Right Hinge Holder for 51052	3	AB970	Outer Drain Pan for 51052	24	AE926	Thermostat Installation Plate for 51052	46
AA808	Bottom Left Hinge Holder for 51052	4	AA304	Installation Board Limited Block for 51052	25, 29	AB975	Waterproof Cover of Thermostat for 51052	47
26884	K Clip for 51052	5	AE920	Installation Board for 51052	26	AA124	Power Switch for 51052	48
AA809	K Strip for 51052	6	AE894	Right Rail for Installation Board for 51052	27	AN144	Front Grill for 51052	49
AE915	Compressor (T6217Z) for 51052	7	AE892	Left Rail for Installation Board for 51052	28	AE928	Caster Supporter for 51052	50
AA687	Drain Pipe Cover for 51052	8	AB974	Handle for Installation Board for 51052	30	AA842	Evaporator for 51052	51
AA810	Bottom Hinge Axis for 51052	9	AE921	Upper Left Hinge Holder for 51052	31	AA216	Drain Tube for 51052	52
AA811	Middle Shelf for 51052	10	AA830	Left Glass Door for 51052	33	AB594	Filter for 51052	53
AE916	Inner Drain Pan for 51052	11	AA686	Plastic Drain Pipe with Fixer for 51052	34	AB595	Filter Fixer for 51052	54
AA300	Condenser for 51052	12	AE922	Supporting Board for 51052	35	AA787	LED Power Supply for 51052	55
AA813	Condenser Fan Motor for 51052	13	AE923	Right Connecting Board for Caster for 51052	36	AE929	Gasket for 51052	56
AA814	Condenser Fan Motor Blade for 51052	14	AE924	Left Connecting Board for Caster for 51052	37	AA844	Door Switch for 51052	57
AB077	Condenser Fan Cover for 51052	15	AB109	Thermostat for 51052	38	AE930	Evaporator Cover for 51052	58
26246	Caster with Brake for 51052	16	AE925	Fixer for Inner LED Light for 51052	39	AA757	Evaporator Fan Motor Bracket for 51052	59
AA857	Upper Right Hinge Holder for 51052	18	AA835	LED Inside Cabinet for 51052	40	AB987	Right End Plate for Evaporator for 51052	60
AE917	Shelf for 51052	19, 32	AA362	LED Light Switch for 51052	41	AB993	Left End Plate for Evaporator for 51052	61
26247	Caster without Brake for 51052	20	AA722	LED Light for 51052	42	AA710	Evaporator Fan Motor Cover for 51052	62
AE918	Back Grill for 51052	21	AA836	Light Box Frame for 51052	43	AE931	Right Glass Door for 51052	63

# Parts Breakdown

Model FR-CN-0012-HC 50029



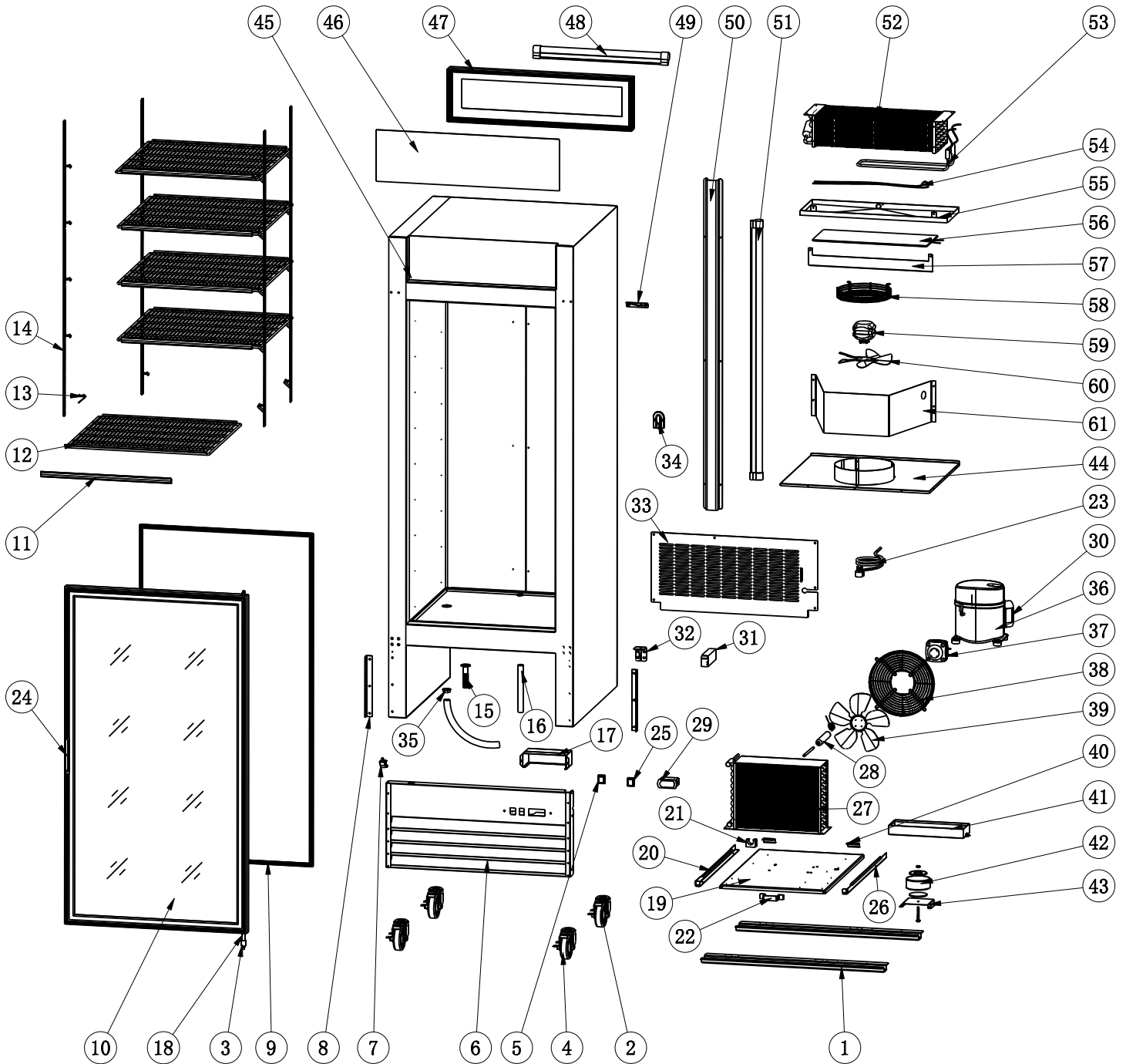
# Parts Breakdown

## Model FR-CN-0012-HC 50029

Item No.	Description	Position	Item No.	Description	Position	Item No.	Description	Position
AA848	Gasket for 50029	1	AA857	Upper Right Hinge Holder for 50029	23	AA874	Outer Drain Pan for 50029	43
AA807	Bottom Right Hinge Holder for 50029	2	AA695	Glass Door Handle for 50029	24	AE938	Compressor for 50029	44
AA810	Bottom Hinge Axis for 50029	3	26884	K Clip for 50029	25	AA705	Condenser Fan Motor for 50029	45
AA715	Axis Cover for 50029	4	AA809	K Strip for 50029	26	AA208	Condenser Fan Blade for 50029	46
AA849	Glass Door for 50029	5	AA860	Light Box Plate for 50029	27	AA249	Condenser Fan Motor Cover for 50029	47
AB975	Waterproof Cover of Thermostat for 50029	6	AA861	Light Box Frame for 50029	28	AA709	Condenser for 50029	48
AE932	Front Grill for 50029	7	AA862	Cabinet LED for 50029	29	AE939	Compressor Installation Board for 50029	49
AE933	Back Grill for 50029	8	AA863	Fixer for Probe for 50029	30	AB971	Right Rail for Installation Board for 50029	50
26247	Caster without Brake for 50029	9	AA864	Drain Pan Heater for 50029	31	AE940	Castor Installation Plate for 50029	51
26246	Caster with Brake for 50029	10	AA865	Defrost Heater for 50029	32	AA304	Installation Board Limited Block for 50029	52
AA853	Shelf for 50029	11	AE934	Evaporator Drain Pan for 50029	33	AB978	Left Rail for Installation Board for 50029	53
AA124	Power Switch for 50029	12	AA867	Drain Hose Heater for 50029	34	AA711	LED Power Supply for 50029	55
AA324	Thermostat for 50029	13	AB962	Left Bracket for Evaporator Fan Cover for 50029	35	AE926	Thermostat Installation Plate for 50029	56
AA854	Shelf Tag for 50029	14	AA710	Evaporator Fan Motor Cover for 50029	36	AE941	Glass Door Heater Transformer for 50029	57
AB977	Door Switch for 50029	15	AE935	Evaporator Cover for 50029	37	AB595	Filter Fixer for 50029	58
AA686	Plastic Drain Pipe with Fixer for 50029	16	AE936	Left End Plate for Evaporator for 50029	38	AB594	Filter for 50029	59
AA687	Drain Pipe Cover for 50029	17	AE901	Evaporator Fan Motor for 50029	39	AE942	Air Pipe Protection Board for 50029	60
AA362	LED Light Switch for 50029	18	AA871	Evaporator for 50029	40	AA885	LED Light for 50029	61
AA216	Drain Tube for 50029	20, 21	AE937	Right End Plate for Evaporator for 50029	41	AB974	Handle for Installation Board for 50029	62
AA856	Power Cord for 50029	22	AA793	Right Bracket for Evaporator Fan Cover for 50029	42			

# Parts Breakdown

Model FR-CN-0790-HC 50030



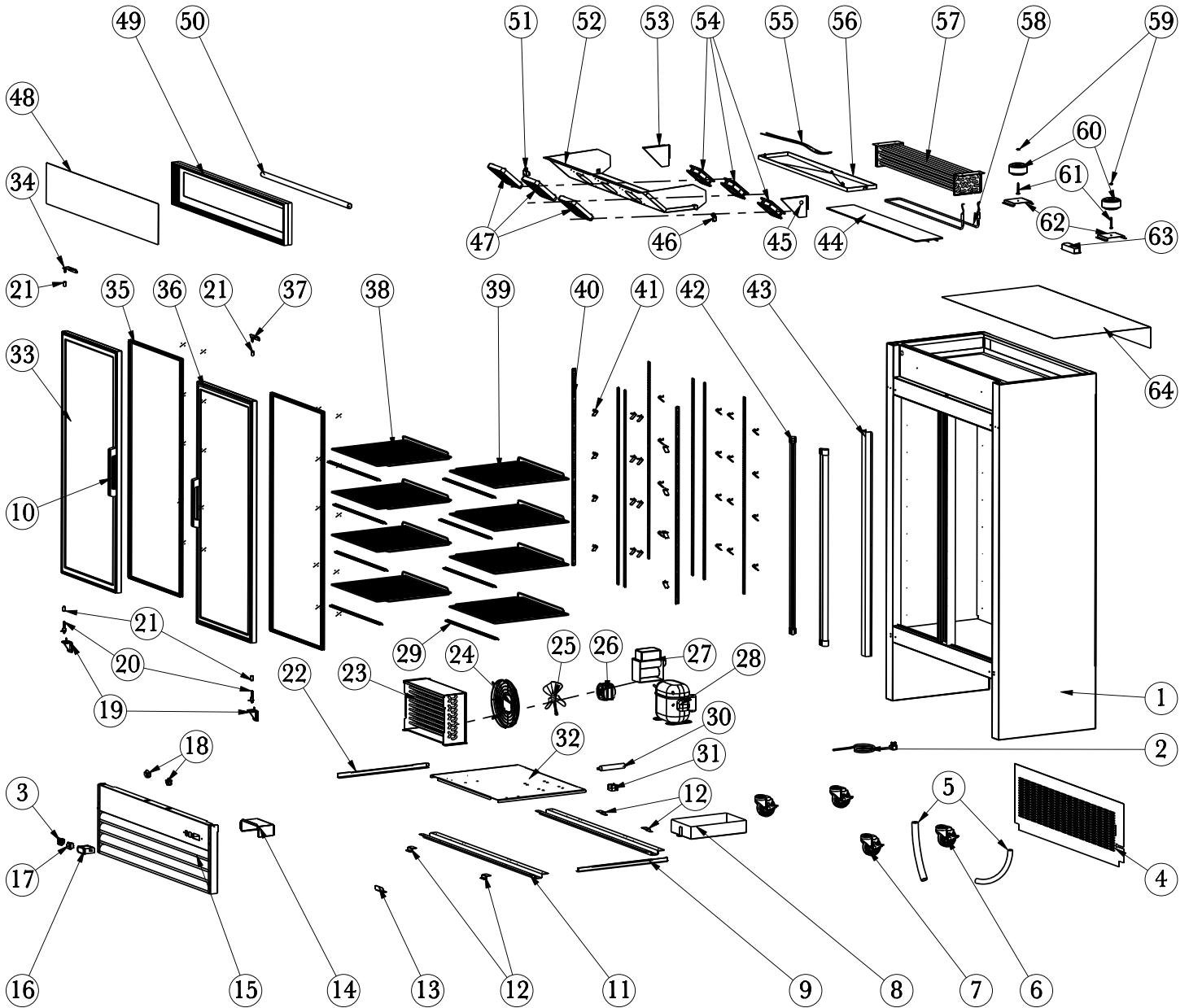
# Parts Breakdown

## Model FR-CN-0790-HC 50030

Item No.	Description	Position	Item No.	Description	Position	Item No.	Description	Position
AE943	Castor Installation Board for 50030	1	AB974	Handle for Installation Board for 50030	22	AE926	Thermostat Installation Plate for 50030	43
26247	Caster without Brake for 50030	2	AA856	Power Cord for 50030	23	AE946	Evaporator Cover for 50030	44
AA810	Bottom Hinge Axis for 50030	3	AA695	Glass Door Handle for 50030	24	AA905	Light Box Plate for 50030	46
26246	Caster with Brake for 50030	4	AA124	Power Switch for 50030	25	AA906	Light Box Frame for 50030	47
AA362	LED Light Switch for 50030	5	AB953	Right Track for Installation Board for 50030	26	AA721	LED in Light Box for 50030	48
AE944	Front Grill for 50030	6	AA896	Condenser for 50030	27	AA857	Upper Right Hinge Holder for 50030	49
AB977	Door Switch for 50030	7	AB594	Filter for 50030	28	AE947	Air Pipe Protection Board for 50030	50
AE945	Fixed Strip for Front Grill for 50030	8	AA324	Thermostat for 50030	29	AA722	LED Light for 50030	51
AA843	Gasket for 50030	9	AA711	LED Power Supply for 50030	31	AA908	Evaporator for 50030	52
AA889	Glass Door for 50030	10	AA807	Bottom Right Hinge Holder for 50030	32	AA909	Defrost Heater for 50030	53
AA748	Shelf Tag for 50030	11	AA898	Back Grill for 50030	33	AA867	Drain Hose Heater for 50030	54
AA747	Shelf for 50030	12	AA863	Fixer for Probe for 50030	34	AE948	Evaporator Drain Pan for 50030	55
26884	K Clip for 50030	13	AA687	Drain Pipe Cover for 50030	35	AA911	Drain Pan Heater for 50030	56
AA809	K Strip for 50030	14	AE938	Compressor for 50030	36	AE949	Evaporator Baffle for 50030	57
AA216	Drain Tube for 50030	15, 16	AA813	Condenser Fan Motor for 50030	37	AA710	Evaporator Fan Motor Cover for 50030	58
AB975	Waterproof Cover of Thermostat for 50030	17	AB077	Condenser Fan Cover for 50030	38	AA913	Evaporator Fan Motor for 50030	59
AA715	Axis Cover for 50030	18	AA814	Condenser Fan Motor Blade for 50030	39	AA248	Condenser Fan Blade for 50030	60
AB961	Compressor Unit Installation Board for 50030	19	AA304	Installation Board Limited Block for 50030	40	AE950	Fan Motor Air Baffle for 50030	61
AB960	Left Track for Installation Board for 50030	20	AB959	Outer Drain Pan for 50030	41			
AB595	Filter Fixer for 50030	21	AE941	Glass Door Heater Transformer for 50030	42			

# Parts Breakdown

Model FR-CN-1250-HC 50031



# Parts Breakdown

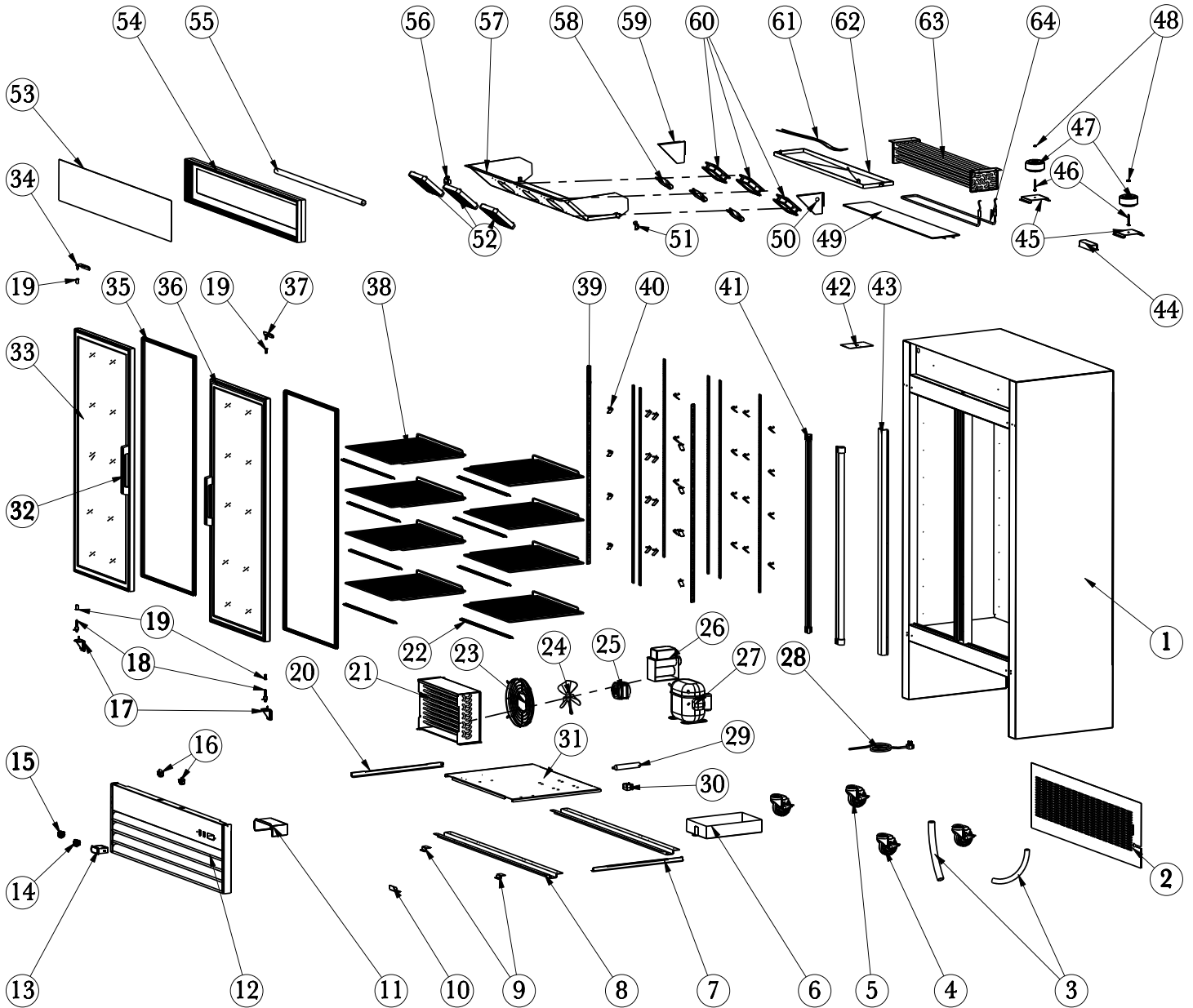
## Model FR-CN-1250-HC 50031

Item No.	Description	Position	Item No.	Description	Position	Item No.	Description	Position
AA927	Power Cord for 50031	2	AB978	Left Rail for Installation Board for 50031	22	AE955	Air Pipe Protection Board for 50031	43
AA124	Power Switch for 50031	3	AB134	Condenser for 50031	23	AA939	Drain Pan Heater for 50031	44
AB969	Back Grill for 50031	4	AB077	Condenser Fan Cover for 50031	24	AB987	Right End Plate for Evaporator for 50031	45
AA216	Drain Tube for 50031	5	AA814	Condenser Fan Motor Blade for 50031	25	AB988	Right Bracket for Evaporator Fan Cover for 50031	46
26247	Caster without Brake for 50031	6	AA813	Condenser Fan Motor for 50031	26	AA710	Evaporator Fan Motor Cover for 50031	47
26246	Caster with Brake for 50031	7	AE938	Compressor for 50031	28	AE956	Light Box Plate for 50031	48
AB970	Outer Drain Pan for 50031	8	AA854	Shelf Tag for 50031	29	AE957	Light Box Frame for 50031	49
AB971	Right Rail for Installation Board for 50031	9	AB594	Filter for 50031	30	AA835	LED Inside Cabinet for 50031	50
AA695	Glass Door Handle for 50031	10	AB595	Filter Fixer for 50031	31	AB991	Left Bracket for Evaporator Fan Cover for 50031	51
AE951	Supporting Board for Castor for 50031	11	AB980	Compressor Unit Installation Board for 50031	32	AB992	Evaporator Cover for 50031	52
AA304	Installation Board Limited Block for 50031	12	AE953	Left Glass Door for 50031	33	AB993	Left End Plate for Evaporator for 50031	53
AB974	Handle for Installation Board for 50031	13	AE921	Upper Left Hinge Holder for 50031	34	AE901	Evaporator Fan Motor for 50031	54
AB975	Waterproof Cover of Thermostat for 50031	14	AB982	Gasket for 50031	35	AA867	Drain Hose Heater for 50031	55
AE952	Front Grill for 50031	15	AE954	Right Glass Door for 50031	36	AE958	Evaporator Drain Pan for 50031	56
AA324	Thermostat for 50031	16	AA857	Upper Right Hinge Holder for 50031	37	AE959	Evaporator for 50031	57
AA362	LED Light Switch for 50031	17	AB984	Left Shelf for 50031	38	AE152	Defrost Heater for 50031	58
AB977	Door Switch for 50031	18	AB985	Right Shelf for 50031	39	AE941	Glass Door Heater Transformer for 50031	60
AA807	Bottom Right Hinge Holder for 50031	19	AA809	K Strip for 50031	40	AE926	Thermostat Installation Plate for 50031	62
AA810	Bottom Hinge Axis for 50031	20	26884	K Clip for 50031	41	AA787	LED Power Supply for 50031	63
AA715	Axis Cover for 50031	21	AA722	LED Light for 50031	42	AE960	Cabinet Top Cover for 50031	64



# Parts Breakdown

Model FR-CN-0045-HC 50075



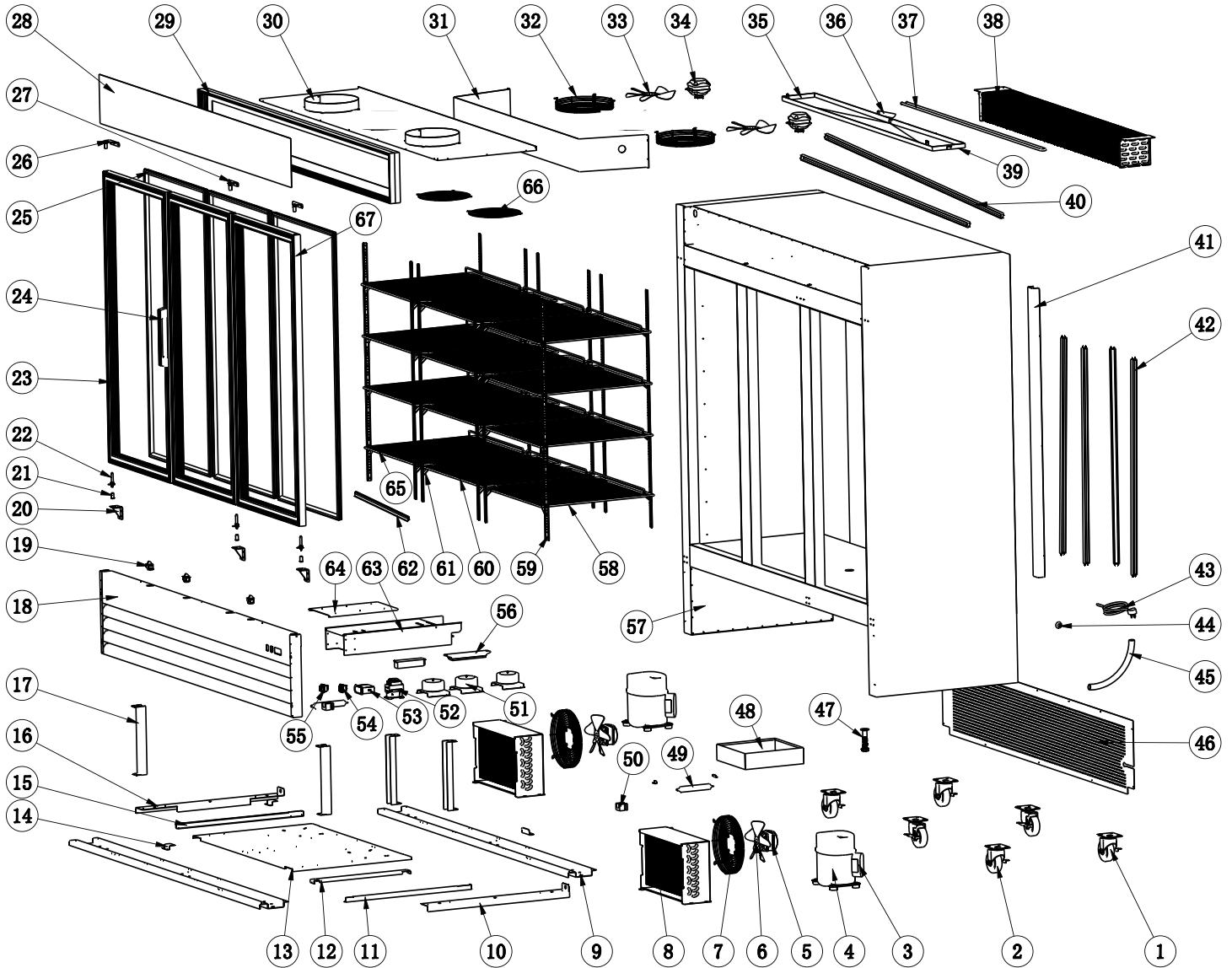
# Parts Breakdown

## Model FR-CN-0045-HC 50075

Item No.	Description	Position	Item No.	Description	Position	Item No.	Description	Position
AE881	Back Grill for 50075	2	AA854	Shelf Tag for 50075	22	AE963	Air Pipe Protection Board for 50075	43
AA216	Drain Tube for 50075	3	AA249	Condenser Fan Motor Cover for 50075	23	AA787	LED Power Supply for 50075	44
26247	Caster without Brake for 50075	4	AA248	Condenser Fan Blade for 50075	24	AE926	Thermostat Installation Plate for 50075	45
26246	Caster with Brake for 50075	5	AA813	Condenser Fan Motor for 50075	25	AE941	Glass Door Heater Transformer for 50075	47
AB970	Outer Drain Pan for 50075	6	64128	Compressor R290 for 50075	27	AA939	Drain Pan Heater for 50075	49
AE894	Right Rail for Installation Board for 50075	7	AA927	Power Cord for 50075	28	AB987	Right End Plate for Evaporator for 50075	50
AE961	Castor Installation Board for 50075	8	AB594	Filter D25x160-B for 50075	29	AB988	Right Bracket for Evaporator Fan Cover for 50075	51
AA304	Installation Board Limited Block for 50075	9	AB595	Filter Fixer for 50075	30	AA710	Evaporator Fan Motor Cover for 50075	52
AB974	Handle for Installation Board for 50075	10	AE893	Installation Board for 50075	31	AA942	Light Box Plate for 50075	53
AA214	Thermostat Water Proof Cover for 50075	11	AA695	Glass Door Handle for 50075	32	AA943	Light Box Frame for 50075	54
AE962	Front Grill for 50075	12	AA929	Left Glass Door for 50075	33	AA782	LED Light in Light Box for 50075	55
AA324	Thermostat for 50075	13	AE921	Upper Left Hinge Holder for 50075	34	AB991	Left Bracket for Evaporator Fan Cover for 50075	56
AA362	LED Light Switch for 50075	14	AA843	Gasket for 50075	35	AE964	Evaporator Cover for 50075	57
AA124	Power Switch for 50075	15	AA930	Right Glass Door for 50075	36	61219	Evaporator Fan Blade V154/22 for 50075	58
AB977	Door Switch for 50075	16	AA857	Upper Right Hinge Holder for 50075	37	AB993	Left End Plate for Evaporator for 50075	59
AA807	Bottom Right Hinge Holder for 50075	17	AA931	Shelf for 50075	38	68809	Evaporator Fan Motor EM3020-28-C04 / 110V for 50075	60
AA810	Bottom Hinge Axis for 50075	18	AA809	K Strip for 50075	39	AA867	Drain Hose Heater for 50075	61
AA715	Axis Cover for 50075	19	26884	K Clip for 50075	40	AE965	Evaporator Drain Pan for 50075	62
AE892	Left Rail for Installation Board for 50075	20	AA722	LED Light for 50075	41	AA948	Evaporator for 50075	63
AA250	Condenser for 50075	21	AE889	Wire Protection Plate for 50075	42	AE152	Defrost Heater for 50075	64

# Parts Breakdown

Model FR-CN-0052-HC 50087



# Parts Breakdown

## Model FR-CN-0052-HC 50087

Item No.	Description	Position	Item No.	Description	Position	Item No.	Description	Position
AA743	4" Caster without Brake for 50087	1	AA929	Left Glass Door for 50087	23	AA703	Power Cord Cover for 50087	44
AA584	Caster with Brake for 50087	2	AA695	Glass Door Handle for 50087	24	AA216	Drain Tube for 50087	45
AH688	Compressor for 50087	4	AH696	Gasket for 50087	25	AE918	Back Grill for 50087	46
AH689	Condenser Fan Motor for 50087	5	AA808	Bottom Left Hinge Holder for 50087	26	AA686	Plastic Drain Pipe with Fixer for 50087	47
AA814	Condenser Fan Motor Blade for 50087	6	AA857	Upper Right Hinge Holder for 50087	27	AB970	Outer Drain Pan for 50087	48
AB077	Condenser Fan Cover for 50087	7	AH697	Lamp Box Film for 50087	28	AB594	Filter D25x160-B for 50087	49
AH690	Condenser for 50087	8	AH698	Lamp Box Frame for 50087	29	AB595	Filter Fixer for 50087	50
AH691	Caster Supporter for 50087	9	AH699	Fan Motor Cover for 50087	30	AH710	Glass Door Transformer for 50087	51
AE877	Right Bracket Connector for 50087	10	AH700	Evaporator Fan Baffle for 50087	31	AH711	Contactora for 50087	52
AE894	Right Rail for Installation Board for 50087	11	AH701	Evaporator Fan Motor Supporter for 50087	32	AA324	Thermostat for 50087	53
AH692	Installation Track for 50087	12	AA248	Condenser Fan Blade for 50087	33	AA362	LED Light Switch for 50087	54
AH693	Compressor Installation Board for 50087	13	AH702	Evaporator Fan Motor for 50087	34	AA124	Power Switch for 50087	55
AA304	Installation Board Limited Block for 50087	14	AH703	Evaporator Drain Pan for 50087	35	AH712	LED Power Supply for 50087	56
AE892	Left Rail for Installation Board for 50087	15	AH704	Drain Hose Heater for 50087	36	AE917	Shelf for 50087	58, 65
AE880	Left Bracket Connector for 50087	16	AH705	Defrost Heater for 50087	37	AA809	K Strip for 50087	59
AH694	Compressor Unit Supporting Board for 50087	17	AH706	Evaporator for 50087	38	AA811	Middle Shelf for 50087	60
AH695	Front Grill for 50087	18	AH707	Drain Pan Heater for 50087	39	26884	K Clip for 50087	61
AA844	Door Switch for 50087	19	AH708	Lamp Box LED for 50087	40	AA777	Shelf Tag for 50087	62
AA807	Bottom Right Hinge Holder for 50087	20	AH709	Air Pipe Protection Board for 50087	41	AH713	Evaporator Fan Motor Cover for 50087	66
AA715	Axis Cover for 50087	21	AG461	LED Light for 50087	42	AA930	Right Glass Door for 50087	67
AA810	Bottom Hinge Axis for 50087	22	AA927	Power Cord for 50087	43			

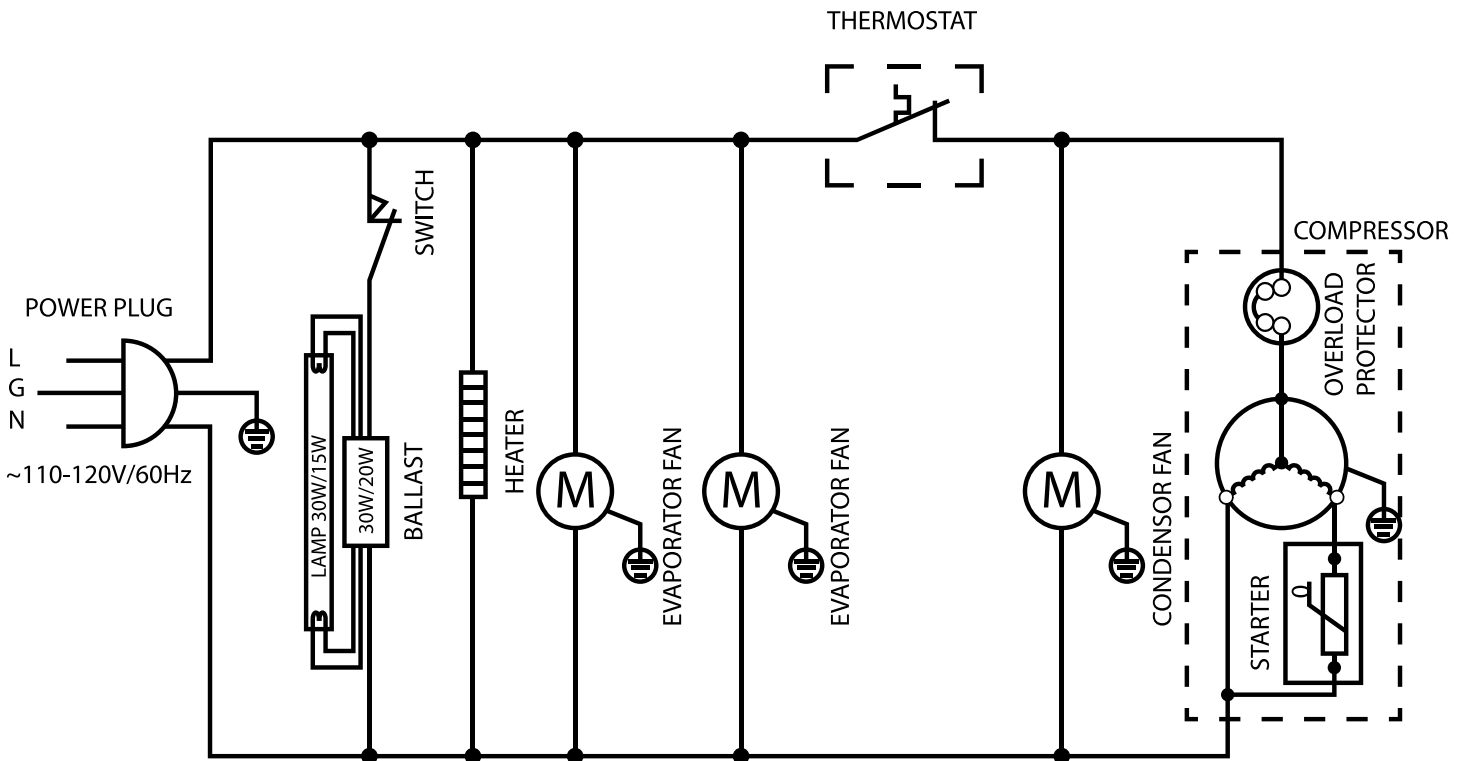
# Electrical Schematics

**Model RE-CN-0045-HC** 50032

**Model RE-CN-0045-HC-BK** 51032

**Model RE-CN-0045-HC-SW** 52032

**Model RE-CN-0045-HC-SB** 53032

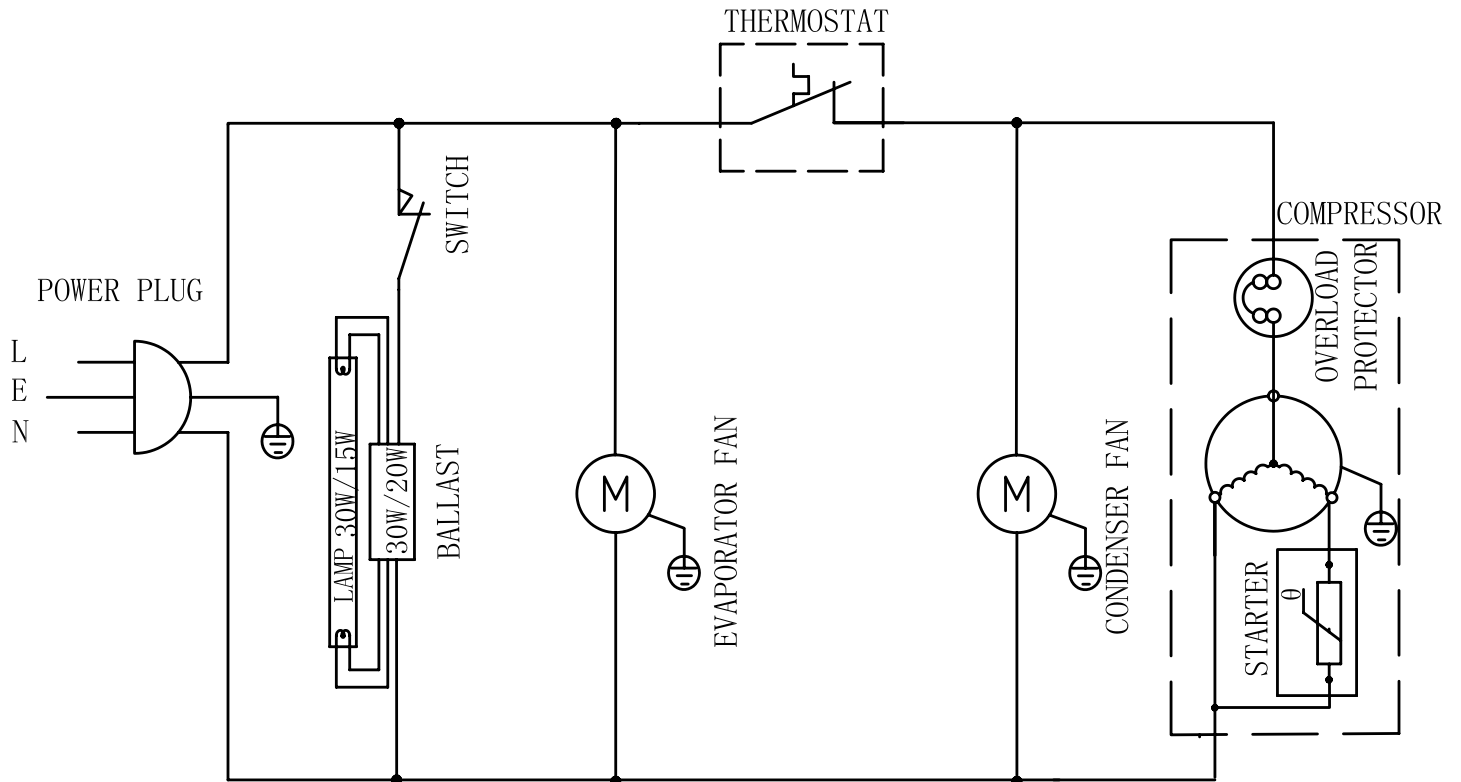


**NEMA**  
5 - 15P  
125VAC / 15 AMP

# Electrical Schematics

**Model RE-CN-0009-HC** 50033

**Model RE-CN-0009-HC-BK** 51033

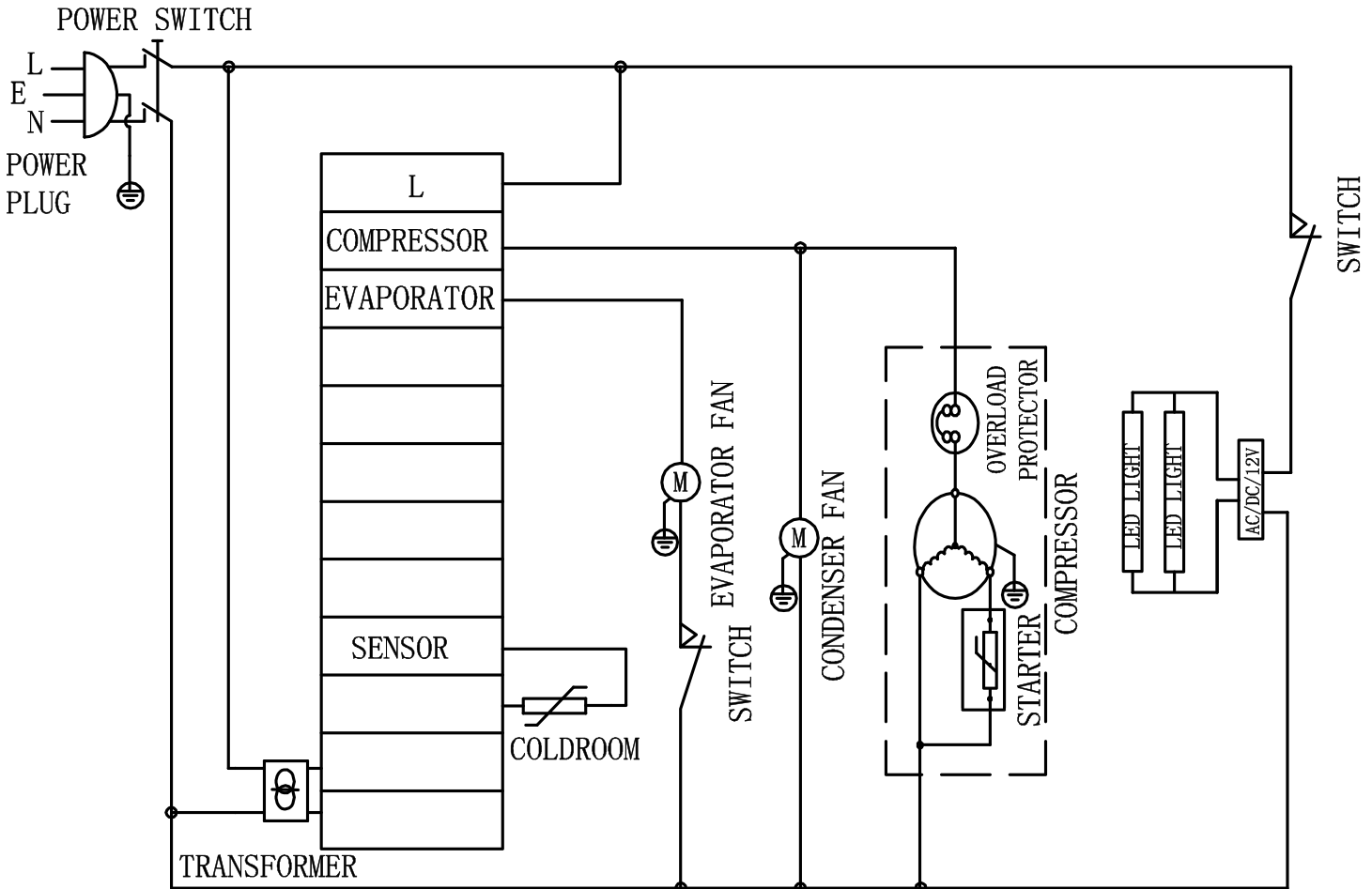


**NEMA**  
5 - 15P  
125VAC / 15 AMP

# Electrical Schematics

**Model RE-CN-0014-H** 50035

**Model RE-CN-0014-HC-BK** 51035

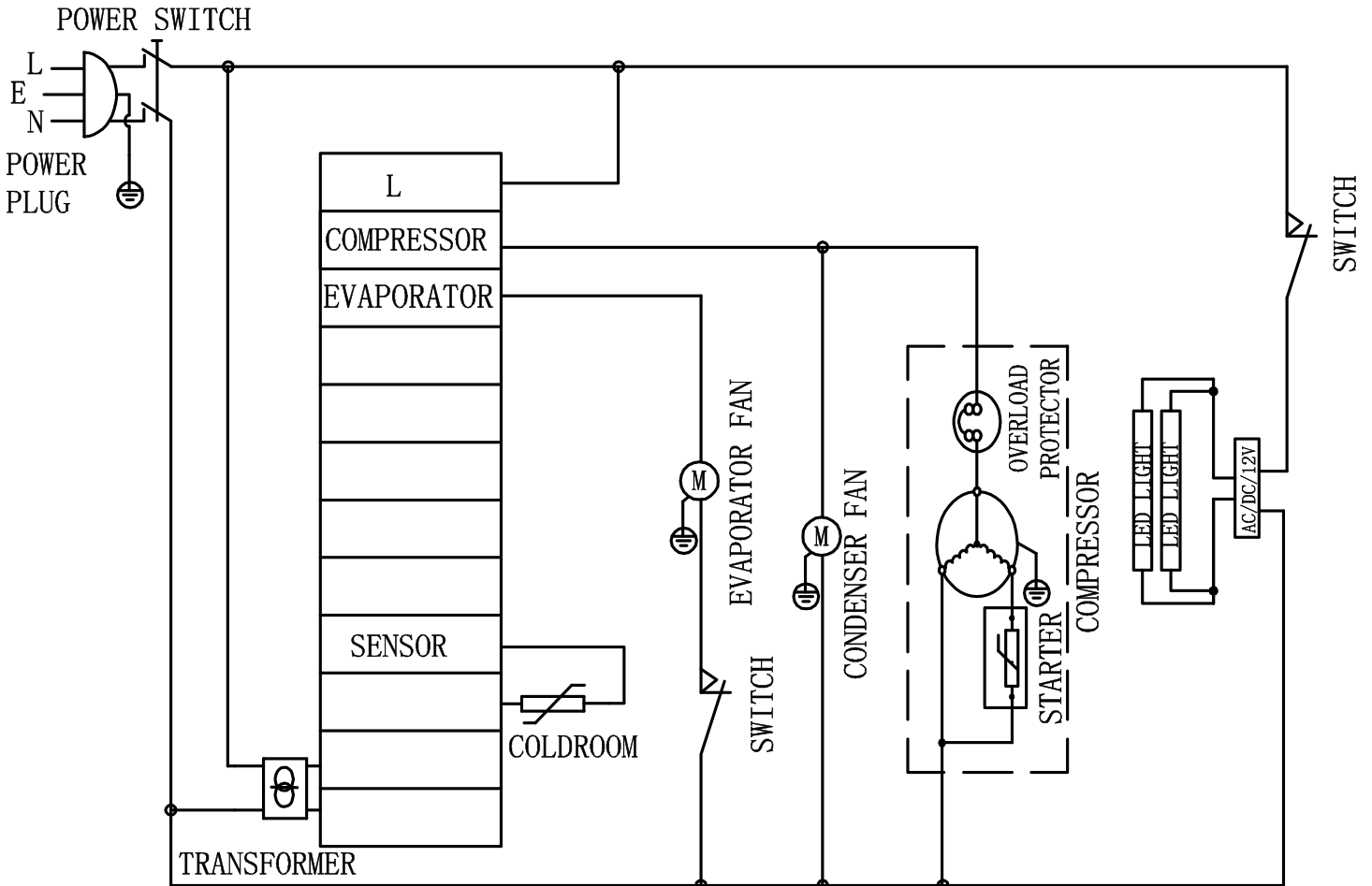


**NEMA**  
 5 - 15P  
 125VAC / 15 AMP

# Electrical Schematics

**Model RE-CN-0023-HC** 50036

**Model RE-CN-0023-H** 50037



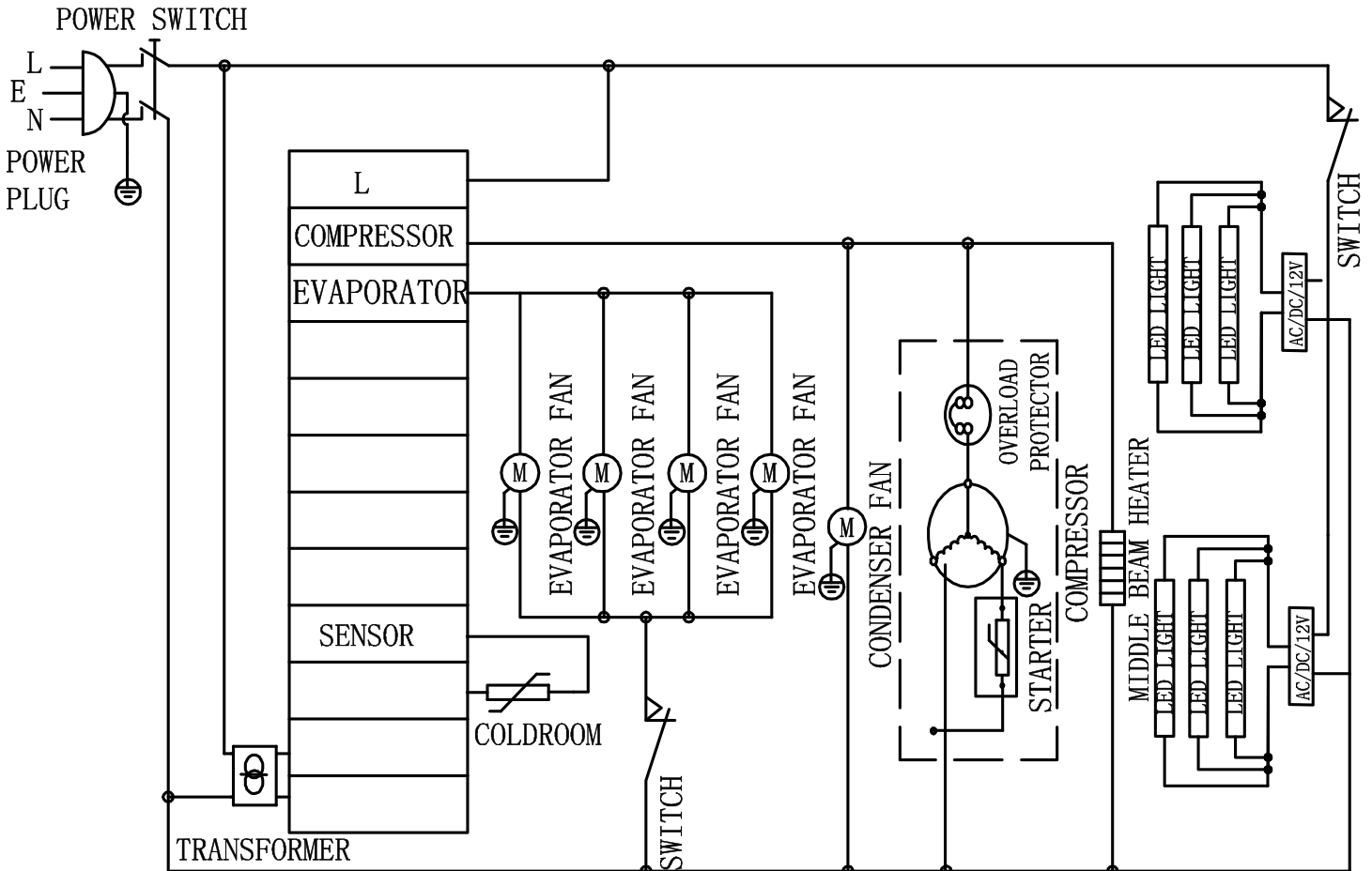
**NEMA**  
5 - 15P  
125VAC / 15 AMP



# Electrical Schematics

**Model RE-CN-0052-HC** 50052

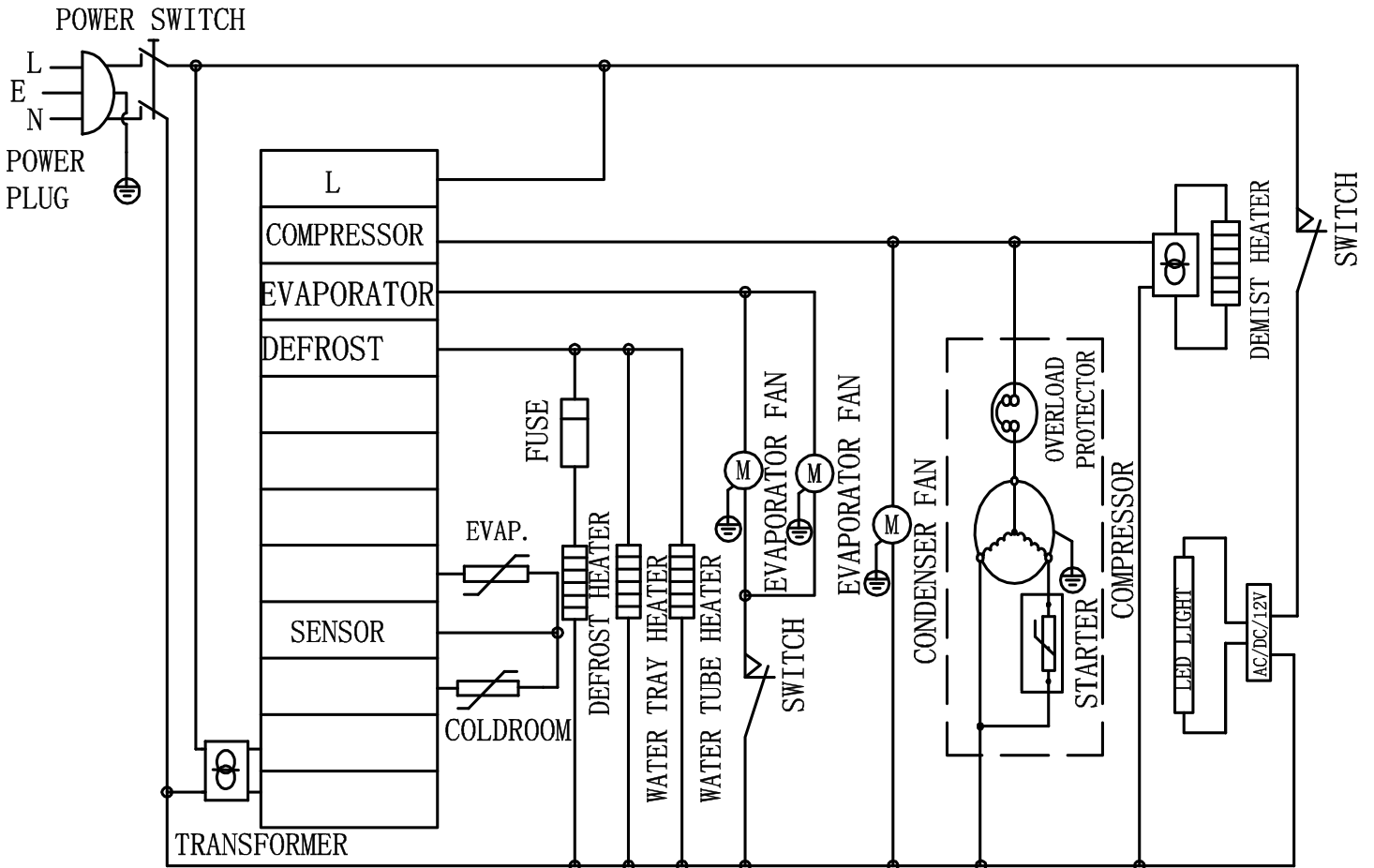
**Model RE-CN-0052-HC-BK** 51052



**NEMA**  
5 - 20P  
125VAC / 20 AMP

# Electrical Schematics

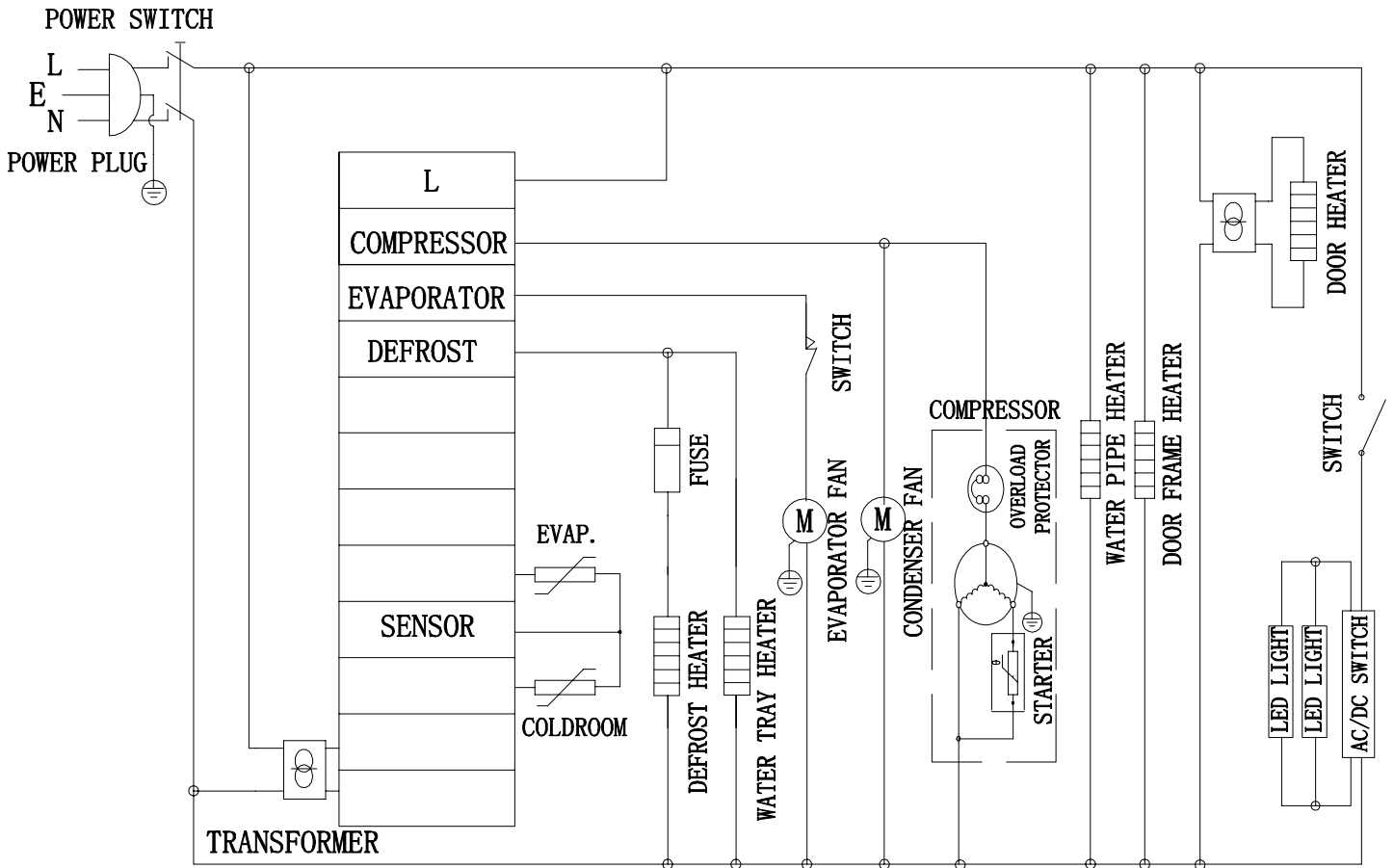
Model FR-CN-0012-HC 50029



**NEMA**  
5 - 15P  
125VAC / 15 AMP

# Electrical Schematics

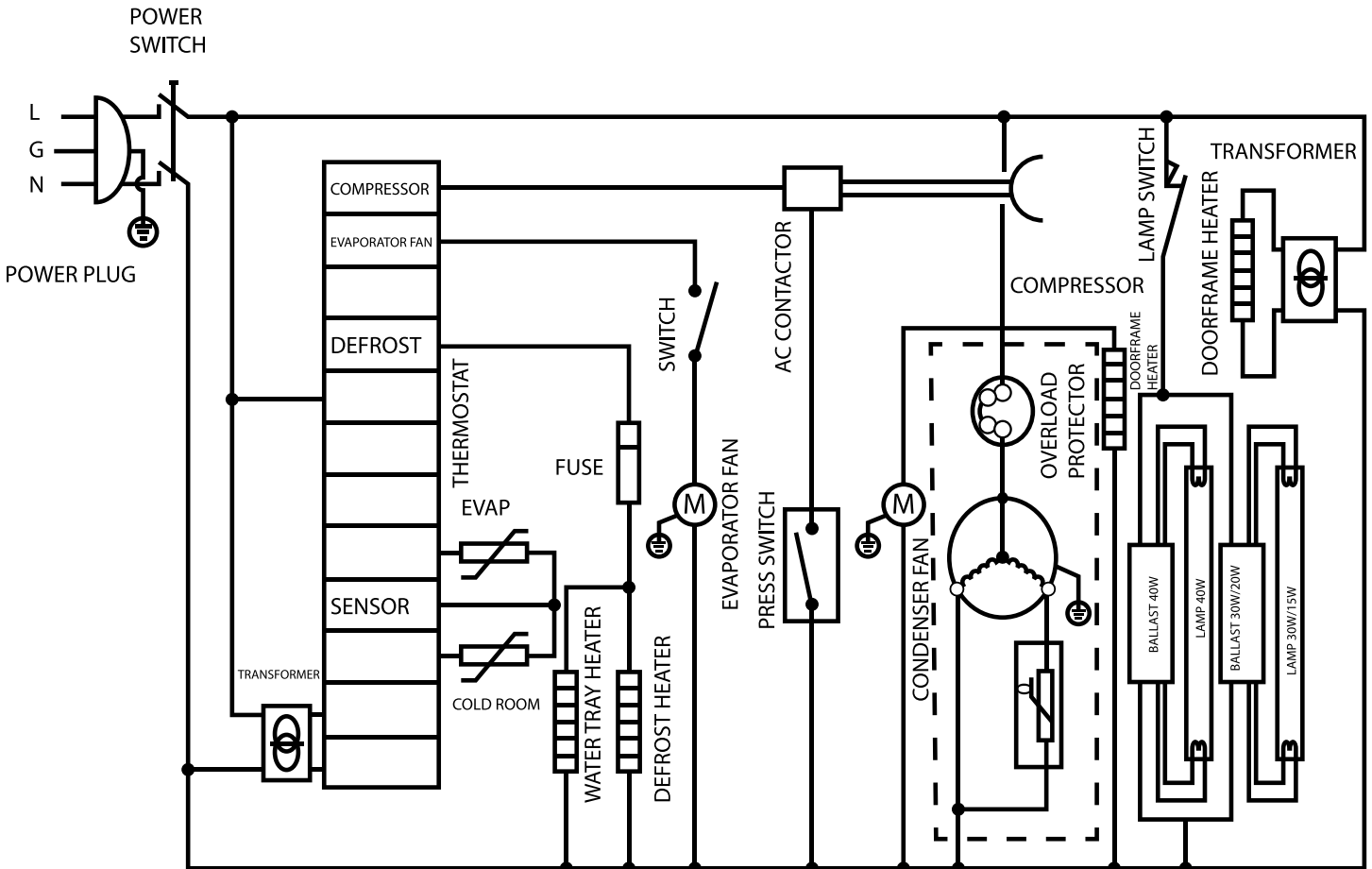
Model **FR-CN-0790-HC** 50030



**NEMA**  
5 - 15P  
125VAC / 15 AMP

# Electrical Schematics

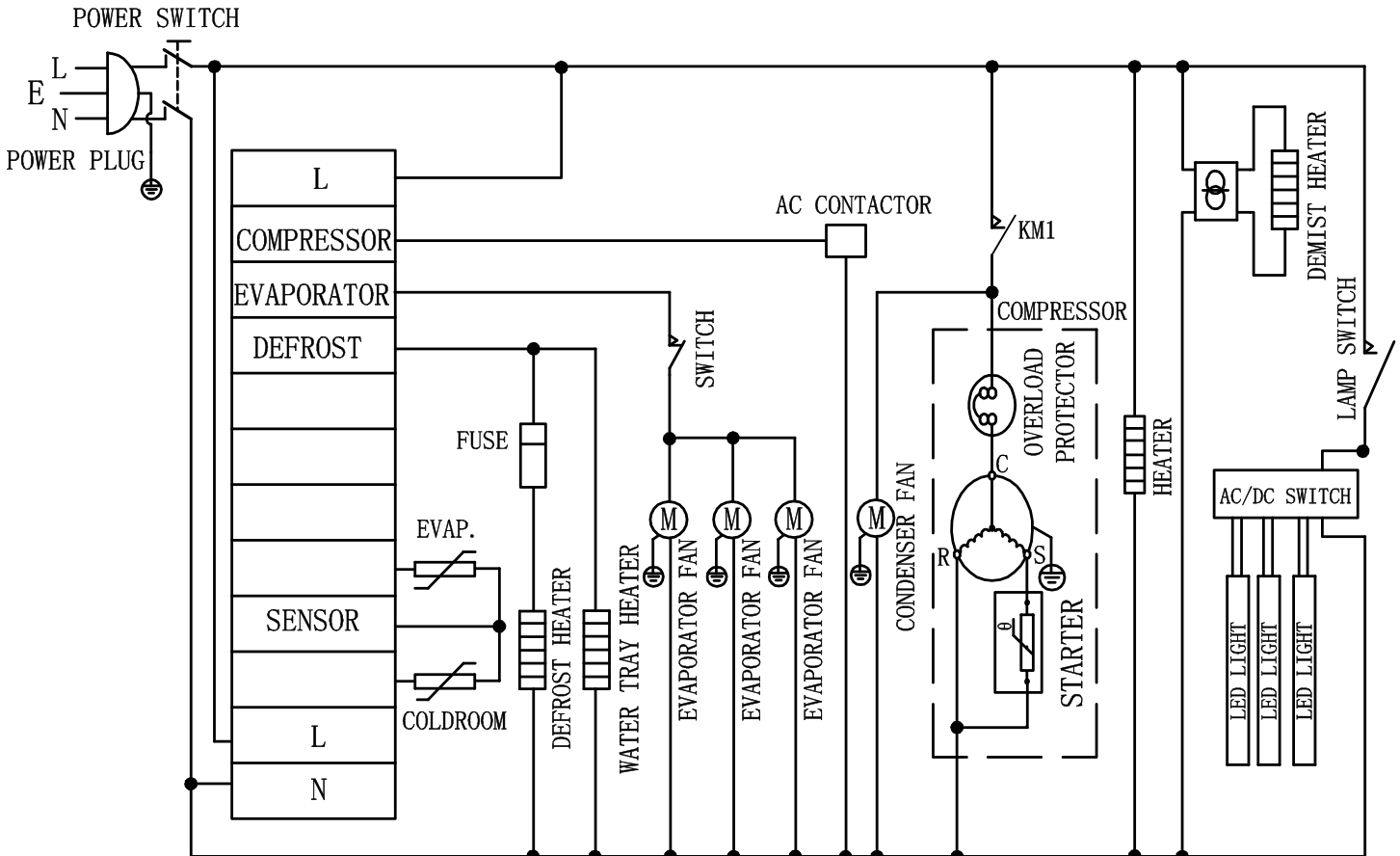
Model FR-CN-1250-HC 50031



NEMA  
5 - 15P  
125VAC / 15 AMP

# Electrical Schematics

Model FR-CN-0045-HC 50075



**NEMA**  
5 - 15P  
125VAC / 15 AMP





# Warranty Registration

Thank you for purchasing an Omcan product. To register your warranty for this product, complete the information below, tear off the card at the perforation and then send to the address specified below. You can also register online by visiting:

Merci d'avoir acheté un produit Omcan. Pour enregistrer votre garantie pour ce produit, complétez les informations ci-dessous, détachez la carte au niveau de la perforation, puis l'envoyer à l'adresse spécifiée ci-dessous. Vous pouvez également vous inscrire en ligne en visitant:

Gracias por comprar un producto Omcan usted. Para registrar su garantía para este producto, complete la información a continuación, cortar la tarjeta en la perforación y luego enviarlo a la dirección indicada a continuación. También puede registrarse en línea en:

<https://omcan.com/warranty-registration/>

For mailing in Canada

Pour postale au Canada

Por correo en Canadá

**OMCAN**

PRODUCT WARRANTY REGISTRATION

3115 Pepper Mill Court,

Mississauga, Ontario

Canada, L5L 4X5

For mailing in the US

Pour diffusion aux États-Unis

Por correo en los EE.UU.

**OMCAN**

PRODUCT WARRANTY REGISTRATION

4450 Witmer Industrial Estates, Unit 4,

Niagara Falls, New York

USA, 14305

*or email to: [service@omcan.com](mailto:service@omcan.com)*



Purchaser's Information

Name: \_\_\_\_\_

Address: \_\_\_\_\_

City: \_\_\_\_\_ Province or State: \_\_\_\_\_ Postal or Zip: \_\_\_\_\_

Country: \_\_\_\_\_

Dealer from which Purchased: \_\_\_\_\_

Dealer City: \_\_\_\_\_ Dealer Province or State: \_\_\_\_\_

Invoice: \_\_\_\_\_

Model Name: \_\_\_\_\_ Model Number: \_\_\_\_\_

Machine Description: \_\_\_\_\_

Date of Purchase (MM/DD/YYYY): \_\_\_\_\_

Would you like to extend the warranty?  Yes  No

Company Name: \_\_\_\_\_

Telephone: \_\_\_\_\_

Email Address: \_\_\_\_\_

Type of Company:

Restaurant  Bakery  Deli

Butcher  Supermarket  Caterer

Institution (specify): \_\_\_\_\_

Other (specify): \_\_\_\_\_

Serial Number: \_\_\_\_\_

Date of Installation (MM/DD/YYYY): \_\_\_\_\_

**Thank you for choosing Omcan | Merci d'avoir choisi Omcan | Gracias por elegir Omcan**



Since 1951 Omcan has grown to become a leading distributor of equipment and supplies to the North American food service industry. Our success over these many years can be attributed to our commitment to strengthen and develop new and existing relationships with our valued customers and manufacturers. Today with partners in North America, Europe, Asia and South America, we continually work to improve and grow the company. We strive to offer customers exceptional value through our qualified local sales and service representatives who provide convenient access to over 6,500 globally sourced products.

---

Depuis 1951 Omcan a grandi pour devenir un des “leaders” de la distribution des équipements et matériel pour l’industrie des services alimentaires en Amérique du Nord. Notre succès au cours de ces nombreuses années peut être attribué à notre engagement à renforcer et à développer de nouvelles et existantes relations avec nos clients et les fabricants de valeur. Aujourd’hui avec des partenaires en Amérique du Nord, Europe, Asie et Amérique du Sud, nous travaillons continuellement à améliorer et développer l’entreprise. Nous nous efforçons d’offrir à nos clients une valeur exceptionnelle grâce à nos ventes locales qualifiées et des représentants de service qui offrent un accès facile à plus de 6500 produits provenant du monde entier.

---

Desde 1951 Omcan ha crecido hasta convertirse en un líder en la distribución de equipos y suministros de alimentos en América del Norte industria de servicios. Nuestro éxito en estos años se puede atribuir a nuestro compromiso de fortalecer y desarrollar nuevas relaciones existentes con nuestros valiosos clientes y fabricantes. Hoy con socios de América del Norte, Europa, Asia y América del Sur, que trabajan continuamente para mejorar y crecer la empresa. Nos esforzamos por ofrecer a nuestros clientes valor excepcional a través de nuestro local de ventas y representantes de los servicios que proporcionan un fácil acceso a más de 6,500 productos con origen a nivel mundial.

