



Refrigerated Showcases

Models RS-CN-0092-B, 0163-B, 0092-S, 0163-S
Items 50082, 50083, 50084, 50085
Instruction Manual



Revised - 05/05/2023



Toll Free: 1-800-465-0234
Fax: 905-607-0234
Email: service@omcan.com
www.omcan.com



Table of Contents

Model RS-CN-0092-B / Model RS-CN-0163-B
Model RS-CN-0092-S / Model RS-CN-0163-S

Section	Page
Disclaimer -----	3
General Information -----	4 - 5
Safety and Warranty -----	5 - 6
Technical Specifications -----	7
Installation and Operation -----	7 - 8
Maintenance -----	8 - 10
Troubleshooting -----	10 - 11
Parts Breakdown -----	12 - 17
Electrical Schematics -----	18
Warranty Registration -----	19

Disclaimer

OMCAN IS NOT RESPONSIBLE FOR ANY DAMAGES DUE TO WATER LEAKS. WARRANTY FOR WATER LEAKS IS VOID IF THE AMBIENT ROOM TEMPERATURE EXCEEDS 75°F AND 55% RELATIVE HUMIDITY, AND THE APPLIANCE DRAIN IS NOT CONNECTED DIRECTLY TO A FLOOR DRAIN.

OMCAN N'EST PAS RESPONSABLE DES DOMMAGES DUS AUX FUITES D'EAU. LA GARANTIE POUR LES FUITES D'EAU EST ANNULÉE SI LA TEMPÉRATURE AMBIANTE DE LA PIÈCE DÉPASSE 75°F ET 55% D'HUMIDITÉ RELATIVE, ET SI LE DRAIN DE L'APPAREIL N'EST PAS RACCORDÉ DIRECTEMENT À UN DRAIN DE PLANCHER.

OMCAN NO SE HACE RESPONSABLE DE LOS DAÑOS CAUSADOS POR FUGAS DE AGUA. LA GARANTÍA POR FUGAS DE AGUA QUEDA ANULADA SI LA TEMPERATURA AMBIENTE SUPERA LOS 75°F Y EL 55% DE HUMEDAD RELATIVA, Y EL DESAGÜE DEL APARATO NO ESTÁ CONECTADO DIRECTAMENTE A UN DESAGÜE DE PISO.

General Information

Omcan Manufacturing and Distributing Company Inc., Food Machinery of America, Inc. dba Omcan and Omcan Inc. are not responsible for any harm or injury caused due to any person's improper or negligent use of this equipment. The product shall only be operated by someone over the age of 18, of sound mind, and not under the influence of any drugs or alcohol, who has been trained in the correct operation of this machine, and is wearing authorized, proper safety clothing. Any modification to the machine voids any warranty, and may cause harm to individuals using the machine or in the vicinity of the machine while in operation.

CHECK PACKAGE UPON ARRIVAL

Upon receipt of an Omcan shipment please inspect for external damage. If no damage is evident on the external packaging, open carton to ensure all ordered items are within the box, and there is no concealed damage to the machine. If the package has suffered rough handling, bumps or damage (visible or concealed), please note it on the bill of lading before accepting the delivery and contact Omcan within 24 hours, so we may initiate a claim with the carrier. A detailed report on the extent of the damage caused to the machine must be filled out within three days, from the delivery date shown in the shipping documents. Omcan has no recourse for damaged products that were shipped collect or third party.

Before operating any equipment, always read and familiarize yourself with all operation and safety instructions.

Omcan would like to thank you for purchasing this machine. It's of the utmost importance to save these instructions for future reference. Also save the original box and packaging for shipping the equipment if servicing or returning of the machine is required.

Omcan Fabrication et distribution Compañie Limité et Food Machinery d'Amerique, dba Omcan et Omcan Inc. ne sont pas responsables de tout dommage ou blessure causé du fait que toute personne ait utilisé cet équipement de façon irrégulière. Le produit ne doit être exploité que par quelqu'un de plus de 18 ans, saine d'esprit, et pas sous l'influence d'une drogue ou d'acohol, qui a été formé pour utiliser cette machine correctement, et est vêtu de vêtements de sécurité approprié. Toute modification de la machine annule toute garantie, et peut causer un préjudice à des personnes utilisant la machine ou des personnes à proximité de la machine pendant son fonctionnement.

VÉRIFIEZ LE COLIS DÈS RÉCEPTION

Dès réception d'une expédition d'Omcan veuillez inspecter pour dommages externes. Si aucun dommage n'est visible sur l'emballage externe, ouvrez le carton afin de s'assurer que tous les éléments commandés sont dans la boîte, et il n'y a aucun dommage dissimulé à la machine. Si le colis n'a subi aucune mauvaises manipulations, de bosses ou de dommages (visible ou cachée), notez-le sur le bond de livraison avant d'accepter la livraison et contactez Omcan dans les 24 heures qui suivent, pour que nous puissions engager une réclamation auprès du transporteur. Un rapport détaillé sur l'étendue des dommages causés à la machine doit être rempli dans un délai de trois jours, à compter de la date de livraison indiquée dans les documents d'expédition. Omcan n'a aucun droit de recours pour les produits endommagés qui ont été expédiées ou cueilli par un tiers transporteur.



General Information

Avant d'utiliser n'importe quel équipement, toujours lire et vous familiariser avec toutes les opérations et les consignes de sécurité.

Omcan voudrais vous remercier d'avoir choisi cette machine. Il est primordial de conserver ces instructions pour une référence ultérieure. Également conservez la boîte originale et l'emballage pour l'expédition de l'équipement si l'entretien ou le retour de la machine est nécessaire.

Omcan Empresa De Fabricacion Y Distribucion Inc. Y Maquinaria De Alimentos De America, Inc. dba Omcan y Omcan Inc. no son responsables de ningun daño o perjuicio causado por cualquier persona inadecuada o el uso descuidado de este equipo. El producto solo podra ser operado por una persona mayor de 18 años, en su sano juicio y no bajo alguna influencia de droga o alcohol, y que este ha sido entrenado en el correcto funcionamiento de esta máquina, y ésta usando ropa apropiada y autorizada. Cualquier modificación a la máquina anula la garantía y puede causar daños a las personas usando la máquina mientras esta en el funcionamiento.

REVISE EL PAQUETE A SU LLEGADA

Tras la recepcion de un envio Omcan favor inspeccionar daños externos. Si no hay daños evidentes en el empaque exterior, Habra el carton para asegurarse que todos los articulos solicitados estén dentro de la caja y no encuentre daños ocultos en la máquina. Si el paquete ha sufrido un manejo de poco cuidado, golpes o daños (visible o oculto) por favor anote en la factura antes de aceptar la entrega y contacte Omcan dentro de las 24 horas, de modo que podamos iniciar una reclamación con la compañía. Un informe detallado sobre los daños causados a la máquina debe ser llenado en el plazo de tres días, desde la fecha de entrega que se muestra en los documentos de envío. Omcan no tiene ningun recurso por productos dañados que se enviaron a recoger por terceros.

Antes de utilizar cualquier equipo, siempre leer y familiarizarse con todas las instrucciones de operación y seguridad.

Omcan quisiera darles las gracias por la compra de esta máquina. Es de la máxima importancia para guardar estas instrucciones para referencias en el futuro. También guarde la caja original y el embalaje para envío del equipo si el mantenimiento o la devolución de la máquina es necesaria.

Safety and Warranty

WHEN USING ELECTRICAL APPLIANCES BASIC SAFETY PRECAUTIONS SHOULD BE FOLLOWED:

- This cooler must be properly installed and located in accordance with the installation service representative.
- Do not allow children to climb, stand or hang on the shelves in the cooler. They could damage the unit and seriously injure themselves.
- Do not store or use gasoline or other flammable vapors and liquids in the vicinity of this or any other

Safety and Warranty

appliance.

- Unplug the unit from the electrical outlet before cleaning or making repairs.
- Do not touch the cold surfaces in the refrigerator compartment when hands are damp or wet. Skin may stick to these extremely cold surfaces.

NOTE: It is strongly recommended that any servicing be performed by an authorized instructions before it is used.

- When the refrigerator is installed or used, all the packaging (including cardboard and plastic wrap) should be removed.
- Keep the refrigerator stable to avoid vibration and noise.
- The refrigerator should be installed in a place with good ventilation and a space of at least 4" should be allowed between the surrounding walls and the cabinet wall for air circulation.
- Unit should be placed far from any heating source to avoid decrease of refrigeration efficiency.
- Install the refrigerator in a dry place to prevent rust from forming on the compartment body, which may affect the electrical insulation.

RESIDENTIAL USERS: Vendor assumes no liability for parts or labor coverage for component failure or other damages resulting from installation in non-commercial or residential applications. The right is reserved to deny shipment for residential usage; if this occurs, you will be notified as soon as possible.

1 YEAR PARTS AND LABOR WARRANTY

Within the warranty period, contact Omcan Inc. at 1-800-465-0234 to schedule an Omcan authorized service technician to repair the equipment locally.

Unauthorized maintenance will void the warranty. Warranty covers electrical and part failures, not improper use.

Please see <https://omcan.com/disclaimer> for complete info.

WARNING:

The packaging components are classified as normal solid urban waste and can therefore be disposed of without difficulty.

In any case, for suitable recycling, we suggest disposing of the products separately (differentiated waste) according to the current norms.

DO NOT DISCARD ANY PACKAGING MATERIALS IN THE ENVIRONMENT!



Technical Specifications

Model	RS-CN-0092-B	RS-CN-0092-S	RS-CN-0163-B	RS-CN-0163-S
Type	Black Coated Steel	Stainless Steel	Black Coated Steel	Stainless Steel
Temperature Range	0 - 6°C / 32 - 43°F			
Max Ambient Temp Rating	24°C / 75°F			
Power	1/3 HP		3/5 HP	
Electrical	110-120V / 60Hz / 1			
Current	4.68A		7.14A	
Capacity	328 L / 11.6 cu.ft.		620 L / 21.9 cu.ft.	
Refrigerant	R290			
Dimensions	36" x 32.5" x 43.1" / 914 x 826 x 1096mm		64" x 32.5" x 43.1" / 1626 x 826 x 1096mm	
Packaging Dimensions	40.9" x 37" x 50.4" / 1039 x 940 x 1280mm		68.9" x 37" x 50.4" / 1750 x 940 x 1280mm	
Weight	260.1 lbs. / 118 kgs.		399 lbs. / 181 kgs.	
Packaging Weight	297.6 lbs. / 135 kgs.		485 lbs. / 220 kgs.	
Item Number	50082	50084	50083	50085

Installation and Operation

To ensure that your unit works properly from the first day, it must be installed properly. We highly recommend a trained refrigeration mechanic and electrician install your equipment.

- Remove the outer packaging, Inspect for concealed damage. Again, immediately file a claim with the freight carrier if there is damage.
- Remove the wood frame and pallet.
- Place the refrigerator on a flat surface and remove to the final location. Be sure there is adequate ventilation in your room. Under extreme heat conditions, (100°F+, 38°C+), you may want to install an exhaust fan.

ELECTRICAL

Do not under any circumstances cut or remove the grounding prong from the power cord. For safety this appliance must be properly grounded at all times.

- The power cord of this cooler is equipped with a grounding plug which mates with a standard grounding wall outlet to minimize the possibility of electric shock hazard.
- If the outlet is a standard 2-prong outlet, it must be replaced with the properly grounded wall outlet. NEVER USE AN ADAPTER PLUG!
- Have the wall outlet and circuit checked by a qualified electrician to make sure the outlet is properly grounded. Check the incoming voltage with a voltmeter.

Installation and Operation

- DO NOT USE EXTENSION CORDS. The use of extension cords to connect the cooler will void warranty. The unit must be close enough to the electrical supply so that extension cords are never used.
- The cooler should always be plugged into its own dedicated circuit with a voltage rating that matches the rating plate. This provides the best performance and also prevents overloading wiring circuits which could become a fire hazard from overheated wires.
- Never unplug your cooler by pulling on the power cord. Always grip the plug firmly and pull straight out from the outlet.
- Repair or replace immediately all power cords that have become frayed or otherwise damaged. Do not use a power cord that has cracks or abrasion damage along its length or at either of its ends.
- When removing the cooler away from the wall be careful not to run over or damage the power cord.

NOTE: Wiring diagram can be referenced by removing the front louvered grill, and looking on the inside cabinet wall.

PLUG IN THE COOLER AND THE COMPRESSOR IS READY TO OPERATE.

- Excessive tampering with the control could lead to service difficulties. Should it ever become necessary to replace the temperature control it should be ordered from your dealer or recommended service agent.

LIGHT SWITCH LOCATION:

The light switch is located at the left side of rear grille.

NOTE: If the unit is disconnected or shut off, wait five (5) minutes before re-starting unit.

RECOMMENDATION: Before loading product the unit should be run for 2 to 3 hours. This allows confirmation that the electrical wiring and installation are correct and no shipping damage has occurred.

Maintenance

Condensers accumulate dirt and dust and require cleaning every 30 days. Dirty condensers result in compressor failure, product loss, and lost sales -- which are not covered by warranty.

Air is pulled through the condenser continuously along with dust, lint, grease, etc. If you keep the condenser clean you will minimize your service expense and lower your electrical costs. The condenser requires scheduled cleaning every days or as needed. A dirty condenser can result in non-warranted part and compressor failures and product loss.

Proper cleaning involves removing debris from the condenser by using a soft brush or vacuuming the condenser with a shop vacuum or using CO₂, nitrogen or pressurized air.

If you cannot remove the debris adequately please call your refrigeration service company.

CLEANING THE CONDENSER COIL

REQUIRED TOOLS

- Phillips screwdriver.
- Stiff bristle brush.
- Adjustable wrench.

WHEN USING ELECTRICAL APPLIANCES BASIC SAFETY PRECAUTIONS SHOULD BE FOLLOWED.

- Disconnect power to unit.
- Take off front grill assembly by removing all screws.
- Remove bolts anchoring compressor assembly to frame rails and carefully slide out --tube connections are flexible.
- Clean off accumulated dirt from condensing coil with the stiff bristle brush.
- Lift cardboard cover above fan at plastic plugs and carefully clean condenser coil and fan blades.
- After brushing condenser coil, vacuum dirt from coil and interior floor.
- Replace cardboard cover, carefully slide compressor assembly back into position and replace bolts.
- Reinstall front grille assembly onto unit with appropriate fasteners and clips. Tighten all screws.
- Connect unit to power and check to see if condenser is running.

STAINLESS STEEL CARE AND CLEANING

RECOMMENDED CLEANERS FOR STAINLESS STEEL

- Soap, ammonia and detergent medallion applied with a soft cloth or sponge for routine cleaning.
- Arcal 20, Loc-O-Nu Eco shine provide a barrier film for fingerprints and smears.
- Cameo, Talc, Z ud First Impression is for stubborn stains and discoloration. Rub in direction of polish lines.
- Easy-off and De-Grease It oven aid are excellent for removals on all finishes for grease-fatty acids, blood and burnt-on foods.
- Any good commercial detergent can be applied with a sponge or soft cloth to remove grease and oil.
- Benefit, Super Sheen, Sheila Shine are good for restoration/passiveness.

CAUTION: Do not use any steel wool, abrasive or chlorine based products to clean stainless steel surfaces.

STAINLESS STEEL ENEMIES

There are three basic items that can break down stainless steel's passivity layer and allow corrosion to occur.

- Scratches from wire brushes, metal scrapers and steel pads are just a few examples of items that can be abrasive to stainless steel's surface.
- Deposits left on stainless steel can leave spots. Hard water can leave spots. Hard water that is heated can leave deposits if left to sit for too long. These deposits can cause the passive layer to break down and rust stainless steel. All deposits left from food prep or service should be removed as quickly as possible.
- Chlorides are present in table salt, food and water. Household and industrial cleaners are the worst type of chlorides to use.

Maintenance

8 STEPS THAT CAN HELP PREVENT RUST ON STAINLESS STEEL

- Use the correct cleaning tools. Use non-abrasive tools when cleaning your stainless steel products. The stainless steel's passive layer will not be harmed by soft cloths and plastic scouring pads.
- Clean along the polish lines. Polish lines or grain are visible on some stainless steel. Always scrub parallel to visible lines. Use a plastic scouring pad or soft cloth when grain is not visible.
- Use alkaline, alkaline chlorinated or non-chloride containing cleaners. While many traditional cleaners are loaded with chlorides, the industry is providing an ever increasing choice of non-chloride cleaners. If unsure of chloride content contact the cleaner supplier. If present cleaner contains chlorides, ask for an alternative. Avoid cleaners containing quaternary salts as they can attack stainless steel causing pitting and rusting.
- Water treatment. To reduce deposits, use soft water whenever possible. Installation of certain filters can be an advantage. Contact a treatment specialist about proper water treatment.
- Maintain cleanliness of food equipment. Use cleaners at recommended strength (alkaline, alkaline chlorinated or non-chloride). Avoid buildup of hard stains by cleaning frequently.
- When using chlorinated cleaners you must rinse and wipe dry immediately. It is better to wipe standing cleaning agents and water as soon as possible. All stainless steel equipment to air dry. Oxygen helps maintain the passivity film on stainless steel.
- Hydrochloric acid (muriatic acid) should never be used on stainless steel.
- Regularly restore/passiveness stainless steel.

Troubleshooting

Before requesting any service on your unit, please check the following points. Please note that this guide serves only as a reference for solutions to common problems.

SYMPTOM	POSSIBLE CAUSE	CORRECTIVE ACTION
Compressor not running.	Fuse blown or circuit breaker tripped.	Replace fuse or reset circuit breaker.
	Power cord unplugged.	Plug in power cord.
	Thermostat set too high.	Set thermostat to lower temperature.
	Cabinet in defrost cycle.	Wait for defrost cycle to finish.

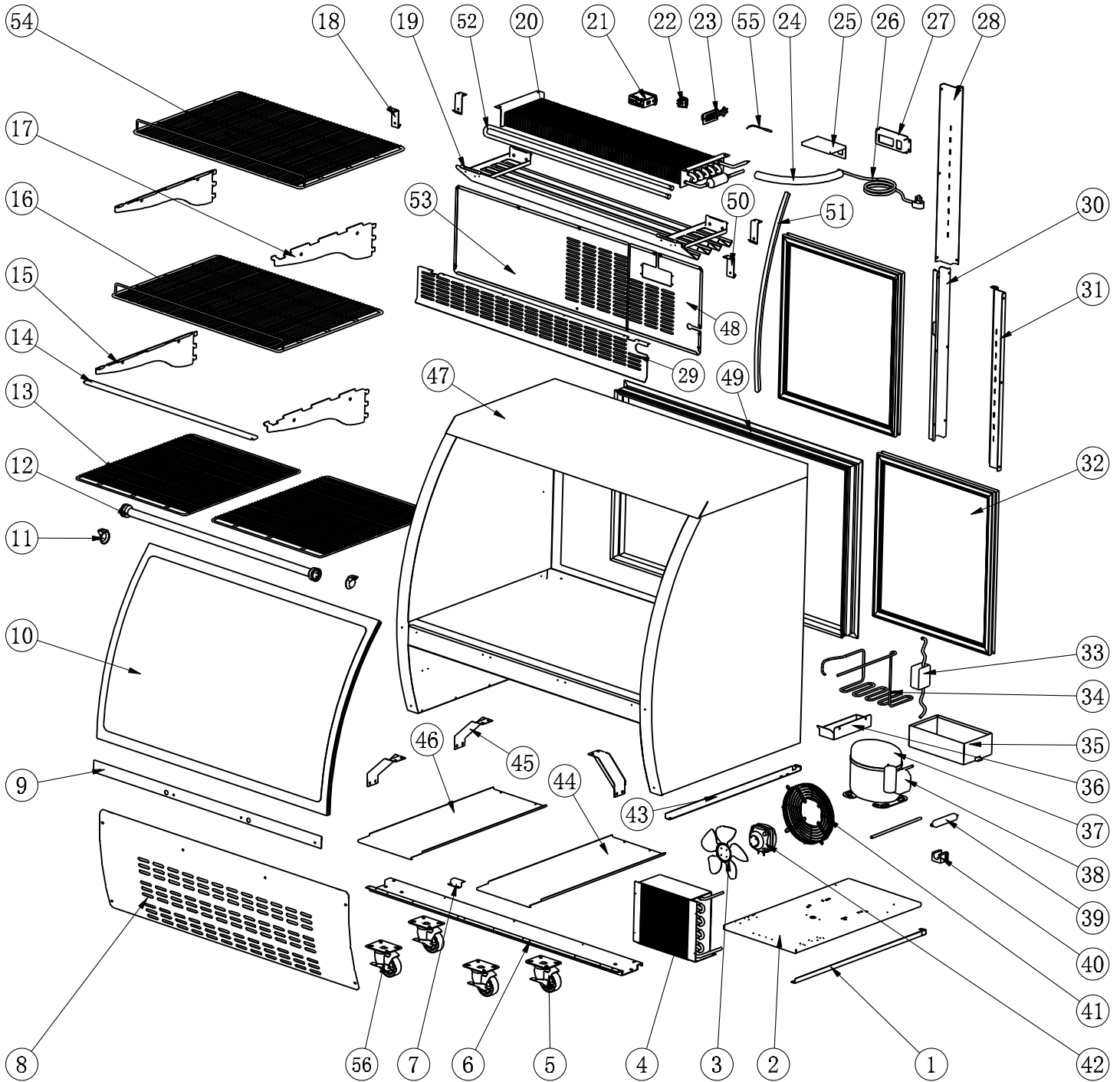
Troubleshooting

Condensing unit runs for long periods of time.	Excessive amount of warm product placed in cabinet.	Allow adequate time for product to cool down.
	Prolonged door opening or door ajar.	Ensure doors are closed when not in use. Avoid opening doors for long periods of time.
	Door gasket(s) not sealing properly.	Ensure gaskets are snapped in completely. Remove gasket and wash with soap and water. Check condition of gasket and replace if necessary.
	Dirty condenser coil.	Clean the condenser coil.
	Evaporator coil iced over.	Unplug unit and allow coil to defrost. Make sure thermostat is not set too cold. Ensure that door gasket(s) are sealing properly.
Cabinet temperature is too warm.	Thermostat set too warm.	Set thermostat to lower temperature.
	Blocking air flow.	Re-arrange product to allow for proper air flow. Make sure there is at least four inches of clearance from evaporator.
	Excessive amount of warm product placed in cabinet.	Allow adequate time for product to cool down.
	Fuse blown or circuit breaker tripped.	Replace fuse or reset circuit breaker.
	Dirty condenser coil.	Clean the condenser coil.
	Prolonged door opening or door ajar.	Ensure doors are closed when not in use. Avoid opening doors for long periods of time.
	Evaporator coil iced over.	Unplug unit and allow coil to defrost. Make sure thermostat is not set too cold. Ensure that door gasket(s) are sealing properly.
Cabinet is noisy.	Loose part(s).	Locate and tighten loose part(s).
	Tubing vibration.	Ensure tubing is free from contact with other tubing or components.

Parts Breakdown

Model RS-CN-0092-B 50082

Model RS-CN-0092-S 50084





Parts Breakdown

Model RS-CN-0092-B 50082

Item No.	Description	Position	Item No.	Description	Position	Item No.	Description	Position
AB607	Right Track of Installation Board for 50082	1	AM933	Evaporator for 50082	20	27199	Starting and Run Box for 50082	38
AB634	Installation Board of Compressor for 50082	2	27186	Carel Controller IR33 for 50082	21	AB594	Filter D25x160-B for 50082	39
AA248	Condenser Fan Blade for 50082	3	AA124	Power Switch for 50082	22	AB595	Filter Fixer for 50082	40
AA250	Condenser for 50082	4	AA378	Temperature Probe Fixer for 50082	23	AA249	Condenser Fan Motor Cover for 50082	41
26247	Caster without Brake for 50082	5	AA528	Inner Drain Pipe for 50082	24	AA984	Condenser Fan Motor for 50082	42
AB568	Support Board of Leveling Feet for 50082	6	AA214	Thermostat Water Proof Cover for 50082	25	AB657	Left Track of Installation Board for 50082	43
AA304	Installation Board Limited Block for 50082	7	AA135	Power Cord for 50082	26	AB599	Cover Board of Machine Room for 50082	44, 46
AB570	Front Grill for 50082	8	AE984	Thermostat Installation Cover for 50082	27	AB659	Support Holder of Cabinet for 50082	45
AB571	Fixed Board of Curve Glass for 50082	9	AB619	Right Bracket for 50082	28	AB600	Cabinet for 50082	47
AB572	Curve Glass for 50082	10	AB585	Baffle for Evaporator for 50082	29	AB667	Thermostat Mounting Plate for 50082	48
68296	LED Light for 50082	11, 12	AB651	Air Pipe Protection Board for 50082	30	AB602	Framework of Door Track for 50082	49
AM931	Bottom Shelf for 50082	13	AB652	Left Bracket for 50082	31	AB772	Left Hanger of Grill for 50082	50
AB641	Shelf Support Board Connector for 50082	14	AB588	Glass Door for 50082	32	AB604	Sealing Rubber Strip for Curved Glass for 50082	51
AB642	Right Shelf Support Board for 50082	15	AA711	LED Power Supply for 50082	33	AB605	Baffle for Evaporator for 50082	52
AM932	Middle Shelf for 50082	16	AB589	Coiled Copper Pipe of Outer Drain Pan for 50082	34	AB606	Back Grill for 50082	53
AB644	Left Shelf Support Board for 50082	17	AA874	Outer Drain Pan for 50082	35	AM935	Upper Shelf for 50082	54
AB769	Right Hanger of Grill for 50082	18	AG542	Inner Drain Pipe for 50082	36	AB084	Evaporator Temperature Sensor for 50082	55
AB580	Grill Components for 50082	19	AE915	Compressor (T6217Z) for 50082	37	26246	Caster with Brake for 50082	56

Parts Breakdown

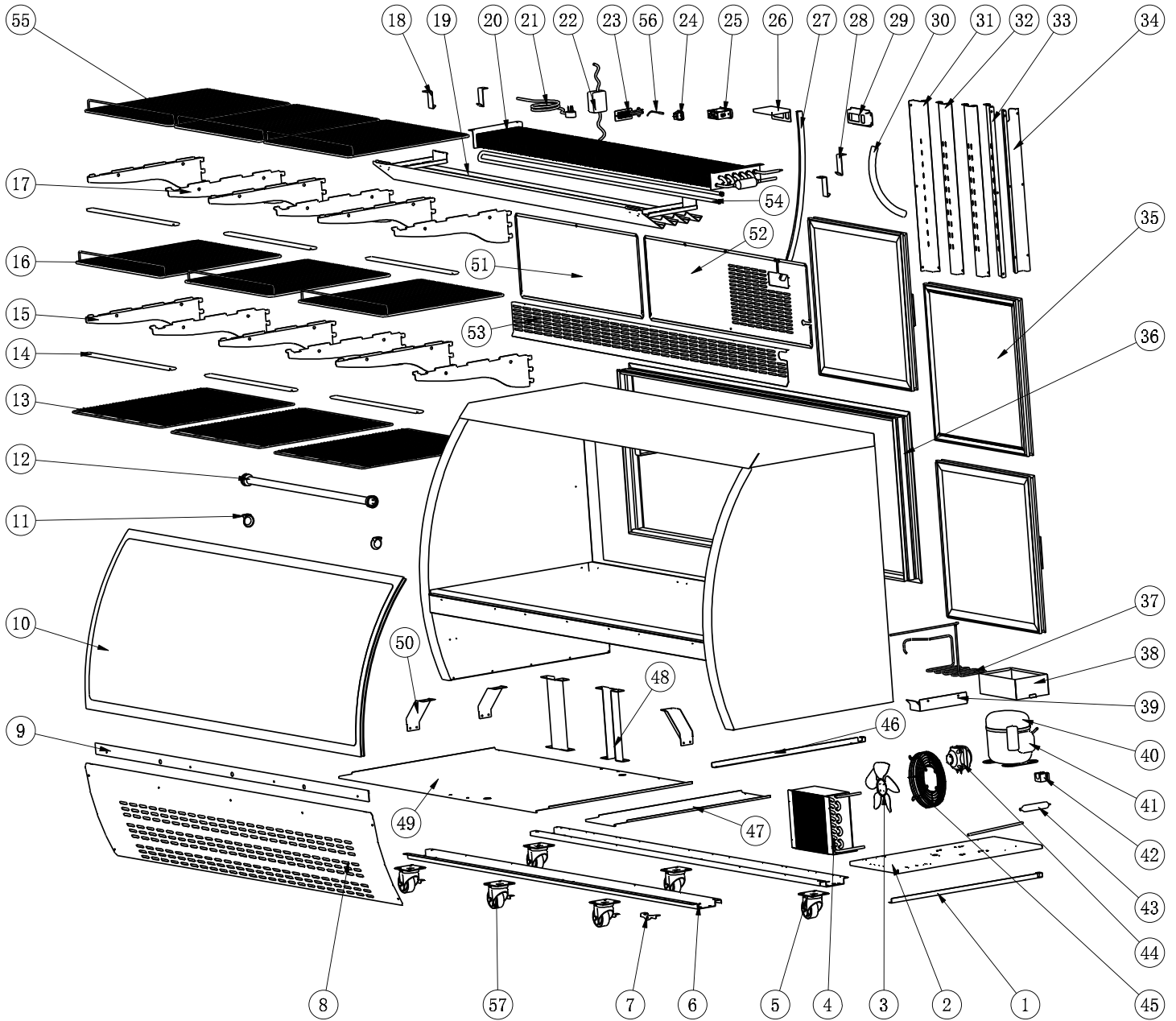
Model RS-CN-0092-S 50084

Item No.	Description	Position	Item No.	Description	Position	Item No.	Description	Position
AB607	Right Track of Installation Board for 50084	1	AM933	Evaporator for 50084	20	27199	Starting and Run Box for 50084	38
AB634	Installation Board of Compressor for 50084	2	27186	Carel Controller IR33 for 50084	21	AB594	Filter D25x160-B for 50084	39
AA248	Condenser Fan Blade for 50084	3	AA124	Power Switch for 50084	22	AB595	Filter Fixer for 50084	40
AA250	Condenser for 50084	4	AA378	Temperature Probe Fixer for 50084	23	AA249	Condenser Fan Motor Cover for 50084	41
26247	Caster without Brake for 50084	5	AA528	Inner Drain Pipe for 50084	24	AA984	Condenser Fan Motor for 50084	42
AB568	Support Board of Leveling Feet for 50084	6	AA214	Thermostat Water Proof Cover for 50084	25	AB657	Left Track of Installation Board for 50084	43
AA304	Installation Board Limited Block for 50084	7	AA135	Power Cord for 50084	26	AB599	Cover Board of Machine Room for 50084	44, 46
AB611	Front Grill for 50084	8	AE984	Thermostat Installation Cover for 50084	27	AB659	Support Holder of Cabinet for 50084	45
AB571	Fixed Board of Curve Glass for 50084	9	AB619	Right Bracket for 50084	28	AB629	Cabinet for 50084	47
AB572	Curve Glass for 50084	10	AB585	Baffle for Evaporator for 50084	29	AB667	Thermostat Mounting Plate for 50084	48
68296	LED Light for 50084	11, 12	AB651	Air Pipe Protection Board for 50084	30	AB602	Framework of Door Track for 50084	49
AM931	Bottom Shelf for 50084	13	AB652	Left Bracket for 50084	31	AB772	Left Hanger of Grill for 50084	50
AB641	Shelf Support Board Connector for 50084	14	AB588	Glass Door for 50084	32	AB604	Sealing Rubber Strip for Curved Glass for 50084	51
AB642	Right Shelf Support Board for 50084	15	AA711	LED Power Supply for 50084	33	AB605	Baffle for Evaporator for 50084	52
AM932	Middle Shelf for 50084	16	AB589	Coiled Copper Pipe of Outer Drain Pan for 50084	34	AB606	Back Grill for 50084	53
AB644	Left Shelf Support Board for 50084	17	AA874	Outer Drain Pan for 50084	35	AM935	Upper Shelf for 50084	54
AB769	Right Hanger of Grill for 50084	18	AG542	Inner Drain Pipe for 50084	36	AB084	Evaporator Temperature Sensor for 50084	55
AB580	Grill Components for 50084	19	AE915	Compressor (T6217Z) for 50084	37	26246	Caster with Brake for 50084	56

Parts Breakdown

Model RS-CN-0163-B 50083

Model RS-CN-0163-S 50085



Parts Breakdown

Model RS-CN-0163-B 50083

Item No.	Description	Position	Item No.	Description	Position	Item No.	Description	Position
AB607	Right Track of Installation Board for 50083	1	AA135	Power Cord for 50083	21	26230	Compressor NLE10CN for 50083	40
AB634	Installation Board of Compressor for 50083	2	AA711	LED Power Supply for 50083	22	AB720	Compressor Components for 50083	41
AA248	Condenser Fan Blade for 50083	3	AA378	Temperature Probe Fixer for 50083	23	AB595	Filter Fixer for 50083	42
AA300	Condenser for 50083	4	AA124	Power Switch for 50083	24	AB594	Filter D25x160-B for 50083	43
26247	Caster without Brake for 50083	5	27186	Carel Controller IR33 for 50083	25	AA984	Condenser Fan Motor for 50083	44
AB697	Support Board of Leveling Feet for 50083	6	AA214	Thermostat Water Proof Cover for 50083	26	AA249	Condenser Fan Motor Cover for 50083	45
AA304	Installation Board Limited Block for 50083	7	AB604	Sealing Rubber Strip for Curved Glass for 50083	27	AB657	Left Track of Installation Board for 50083	46
AB699	Front Grill for 50083	8	AB772	Left Hanger of Grill for 50083	28	AB658	Cover Board of Machine Room for 50083	47
AB700	Fixed Board of Curve Glass for 50083	9	AE984	Thermostat Installation Cover for 50083	29	AB784	Support Board of Machine Room for 50083	48
AB701	Curve Glass for 50083	10	AA528	Inner Drain Pipe for 50083	30	AB724	Cover Board of Machine Room (Big) for 50083	49
AG461	LED Light for 50083	11, 12	AB652	Left Bracket for 50083	31	AB659	Support Holder of Cabinet for 50083	50
AB702	Bottom Shelf for 50083	13	AB650	Middle Bracket for 50083	32	AB726	Right Back Grill for 50083	51
AB641	Shelf Support Board Connector for 50083	14	AB619	Right Bracket for 50083	33	AB667	Thermostat Mounting Plate for 50083	52
AB642	Right Shelf Support Board for 50083	15	AB651	Air Pipe Protection Board for 50083	34	AB728	Baffle for Evaporator for 50083	53
AB705	Middle Shelf for 50083	16	AB716	Glass Door for 50083	35	AB729	Defrost Heater for 50083	54
AB644	Left Shelf Support Board for 50083	17	AB717	Framework of Glass Door for 50083	36	AM936	Upper Shelf for 50083	55
AB769	Right Hanger of Grill for 50083	18	AB589	Coiled Copper Pipe of Outer Drain Pan for 50083	37	AB084	Evaporator Temperature Sensor for 50083	56
AB708	Grill Components for 50083	19	AA874	Outer Drain Pan for 50083	38	26246	Caster with Brake for 50083	57
AM934	Evaporator for 50083	20	AG542	Inner Drain Pipe for 50083	39			

Parts Breakdown

Model RS-CN-0163-S 50085

Item No.	Description	Position	Item No.	Description	Position	Item No.	Description	Position
AB607	Right Track of Installation Board for 50085	1	AA135	Power Cord for 50085	21	26230	Compressor NLE10CN for 50085	40
AB634	Installation Board of Compressor for 50085	2	AA711	LED Power Supply for 50085	22	AB720	Compressor Components for 50085	41
AA248	Condenser Fan Blade for 50085	3	AA378	Temperature Probe Fixer for 50085	23	AB595	Filter Fixer for 50085	42
AA300	Condenser for 50085	4	AA124	Power Switch for 50085	24	AB594	Filter D25x160-B for 50085	43
26247	Caster without Brake for 50085	5	27186	Carel Controller IR33 for 50085	25	AA984	Condenser Fan Motor for 50085	44
AB697	Support Board of Leveling Feet for 50085	6	AA214	Thermostat Water Proof Cover for 50085	26	AA249	Condenser Fan Motor Cover for 50085	45
AA304	Installation Board Limited Block for 50085	7	AB604	Sealing Rubber Strip for Curved Glass for 50085	27	AB657	Left Track of Installation Board for 50085	46
AB734	Front Grill for 50085	8	AB772	Left Hanger of Grill for 50085	28	AB658	Cover Board of Machine Room for 50085	47
AB700	Fixed Board of Curve Glass for 50085	9	AE984	Thermostat Installation Cover for 50085	29	AB784	Support Board of Machine Room for 50085	48
AB701	Curve Glass for 50085	10	AA528	Inner Drain Pipe for 50085	30	AB724	Cover Board of Machine Room (Big) for 50085	49
AG461	LED Light for 50085	11, 12	AB652	Left Bracket for 50085	31	AB659	Support Holder of Cabinet for 50085	50
AB702	Bottom Shelf for 50085	13	AB650	Middle Bracket for 50085	32	AB726	Right Back Grill for 50085	51
AB641	Shelf Support Board Connector for 50085	14	AB619	Right Bracket for 50085	33	AB667	Thermostat Mounting Plate for 50085	52
AB642	Right Shelf Support Board for 50085	15	AB651	Air Pipe Protection Board for 50085	34	AB728	Baffle for Evaporator for 50085	53
AB705	Middle Shelf for 50085	16	AB716	Glass Door for 50085	35	AB729	Defrost Heater for 50085	54
AB644	Left Shelf Support Board for 50085	17	AB717	Framework of Glass Door for 50085	36	AM936	Upper Shelf for 50085	55
AB769	Right Hanger of Grill for 50085	18	AB589	Coiled Copper Pipe of Outer Drain Pan for 50085	37	AB084	Evaporator Temperature Sensor for 50085	56
AB708	Grill Components for 50085	19	AA874	Outer Drain Pan for 50085	38	26246	Caster with Brake for 50085	57
AM934	Evaporator for 50085	20	AG542	Inner Drain Pipe for 50085	39			

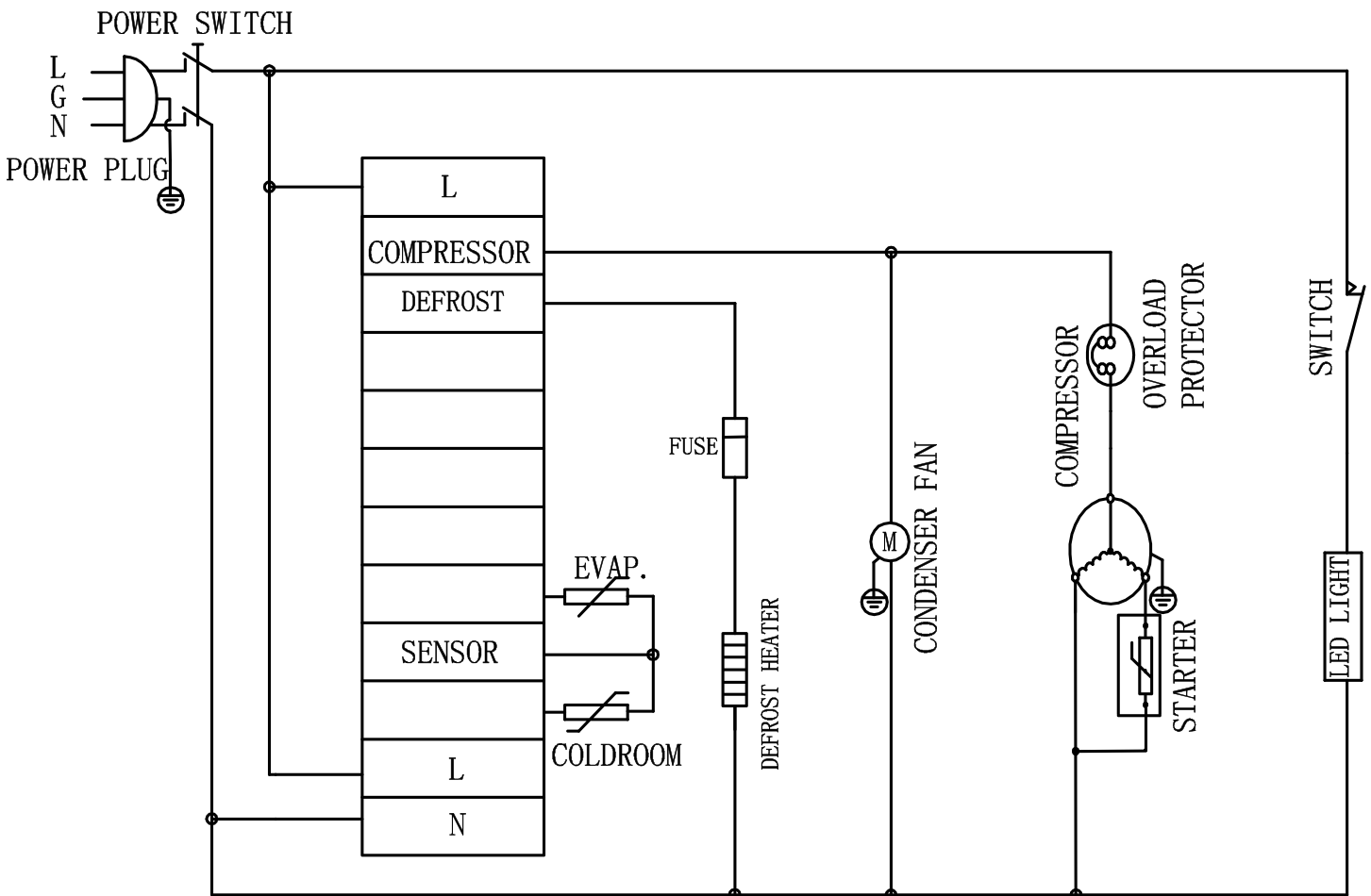
Electrical Schematics

Model RS-CN-0092-B 50082

Model RS-CN-0163-B 50083

Model RS-CN-0092-S 50084

Model RS-CN-0163-S 50085



NEMA
5 - 15P
125VAC / 15 AMP



Warranty Registration

Thank you for purchasing an Omcan product. To register your warranty for this product, complete the information below, tear off the card at the perforation and then send to the address specified below. You can also register online by visiting:

Merci d'avoir acheté un produit Omcan. Pour enregistrer votre garantie pour ce produit, complétez les informations ci-dessous, détachez la carte au niveau de la perforation, puis l'envoyer à l'adresse spécifiée ci-dessous. Vous pouvez également vous inscrire en ligne en visitant:

Gracias por comprar un producto Omcan usted. Para registrar su garantía para este producto, complete la información a continuación, cortar la tarjeta en la perforación y luego enviarlo a la dirección indicada a continuación. También puede registrarse en línea en:

<https://omcan.com/warranty-registration/>

For mailing in Canada

Pour postale au Canada

Por correo en Canadá

OMCAN

PRODUCT WARRANTY REGISTRATION

3115 Pepper Mill Court,

Mississauga, Ontario

Canada, L5L 4X5

For mailing in the US

Pour diffusion aux États-Unis

Por correo en los EE.UU.

OMCAN

PRODUCT WARRANTY REGISTRATION

4450 Witmer Industrial Estates, Unit 4,

Niagara Falls, New York

USA, 14305

or email to: service@omcan.com



Purchaser's Information

Name: _____

Address: _____

City: _____ Province or State: _____ Postal or Zip: _____

Country: _____

Dealer from which Purchased: _____

Dealer City: _____ Dealer Province or State: _____

Invoice: _____

Model Name: _____ Model Number: _____

Machine Description: _____

Date of Purchase (MM/DD/YYYY): _____

Would you like to extend the warranty? Yes No

Company Name: _____

Telephone: _____

Email Address: _____

Type of Company:

Restaurant Bakery Deli

Butcher Supermarket Caterer

Institution (*specify*): _____

Other (*specify*): _____

Serial Number: _____

Date of Installation (MM/DD/YYYY): _____

Thank you for choosing Omcan | Merci d'avoir choisi Omcan | Gracias por elegir Omcan



Since 1951 Omcan has grown to become a leading distributor of equipment and supplies to the North American food service industry. Our success over these many years can be attributed to our commitment to strengthen and develop new and existing relationships with our valued customers and manufacturers. Today with partners in North America, Europe, Asia and South America, we continually work to improve and grow the company. We strive to offer customers exceptional value through our qualified local sales and service representatives who provide convenient access to over 6,500 globally sourced products.

Depuis 1951 Omcan a grandi pour devenir un des “leaders” de la distribution des équipements et matériel pour l’industrie des services alimentaires en Amérique du Nord. Notre succès au cours de ces nombreuses années peut être attribué à notre engagement à renforcer et à développer de nouvelles et existantes relations avec nos clients et les fabricants de valeur. Aujourd’hui avec des partenaires en Amérique du Nord, Europe, Asie et Amérique du Sud, nous travaillons continuellement à améliorer et développer l’entreprise. Nous nous efforçons d’offrir à nos clients une valeur exceptionnelle grâce à nos ventes locales qualifiées et des représentants de service qui offrent un accès facile à plus de 6500 produits provenant du monde entier.

Desde 1951 Omcan ha crecido hasta convertirse en un líder en la distribución de equipos y suministros de alimentos en América del Norte industria de servicios. Nuestro éxito en estos años se puede atribuir a nuestro compromiso de fortalecer y desarrollar nuevas relaciones existentes con nuestros valiosos clientes y fabricantes. Hoy con socios de América del Norte, Europa, Asia y América del Sur, que trabajan continuamente para mejorar y crecer la empresa. Nos esforzamos por ofrecer a nuestros clientes valor excepcional a través de nuestro local de ventas y representantes de los servicios que proporcionan un fácil acceso a más de 6,500 productos con origen a nivel mundial.

