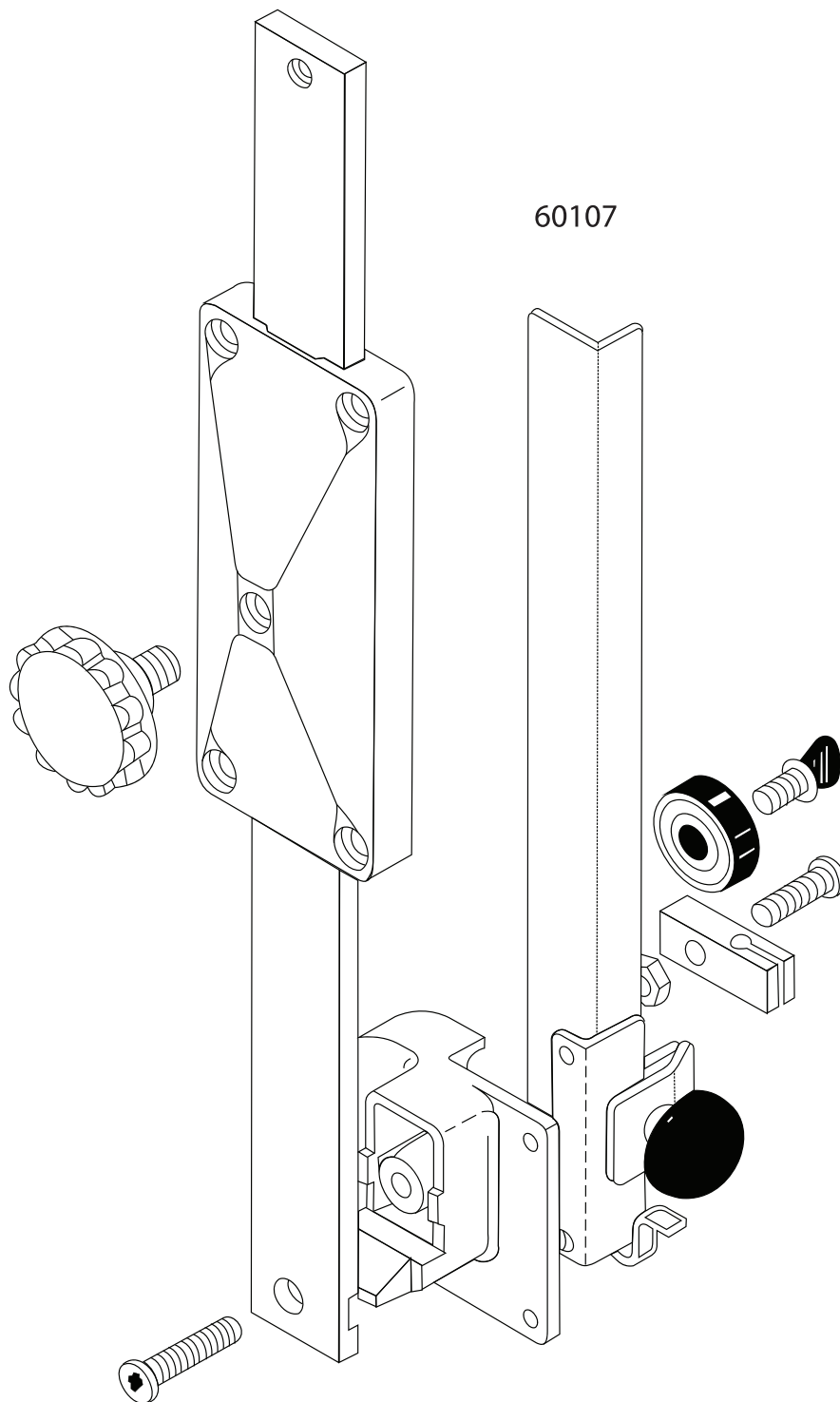


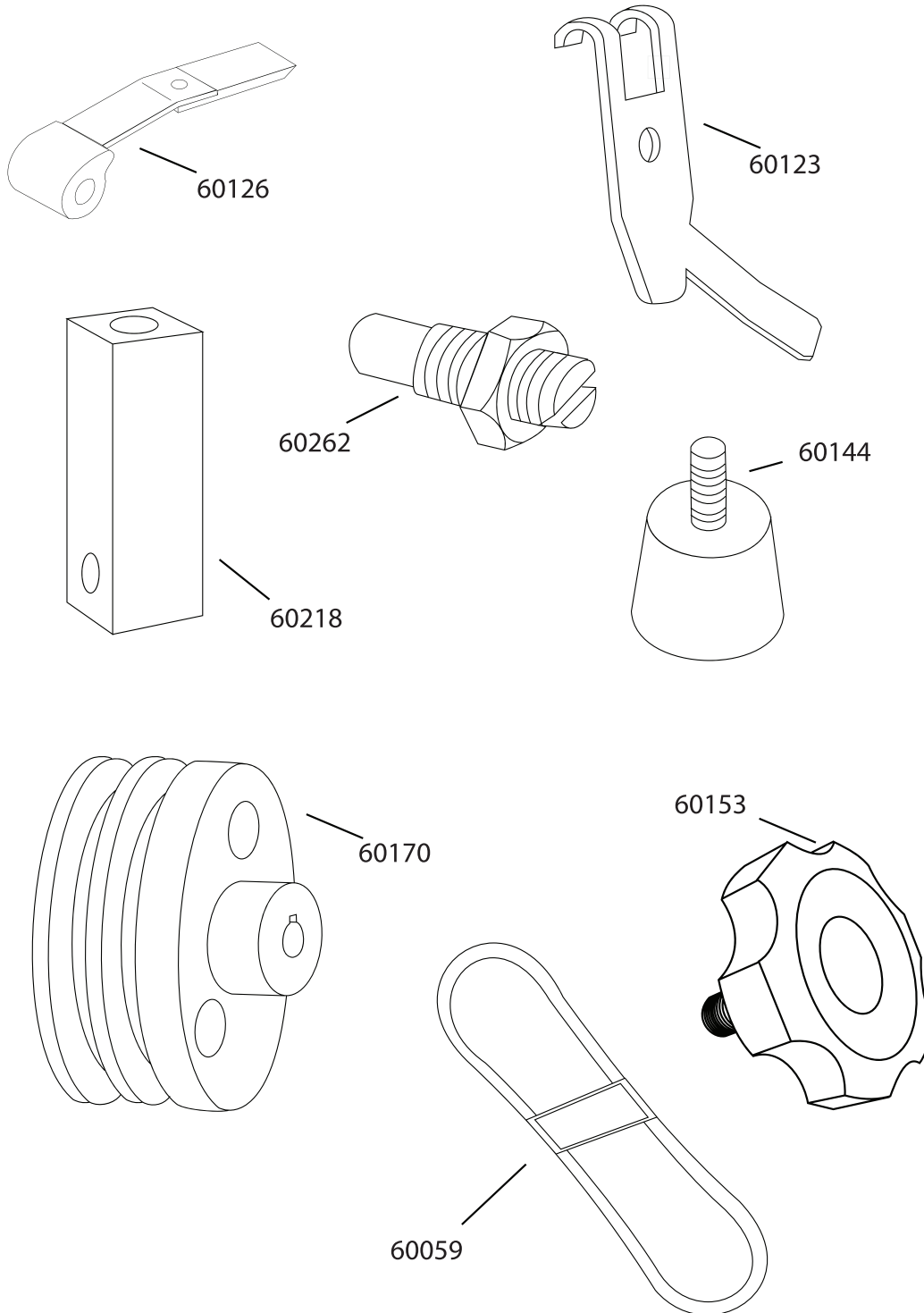
Parts Breakdown

Model BS-VE-1981-E 10270



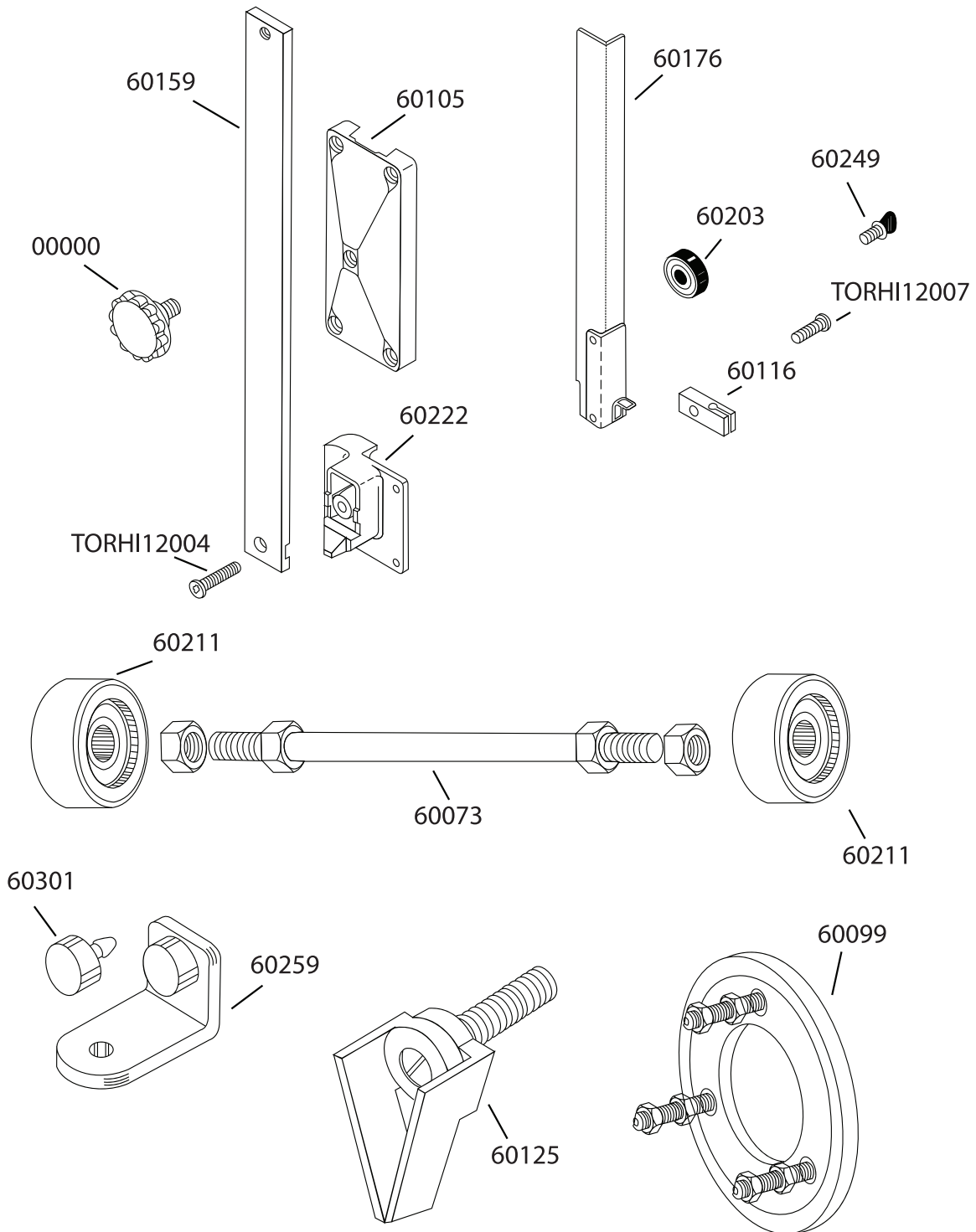
Parts Breakdown

Model BS-VE-1981-E 10270



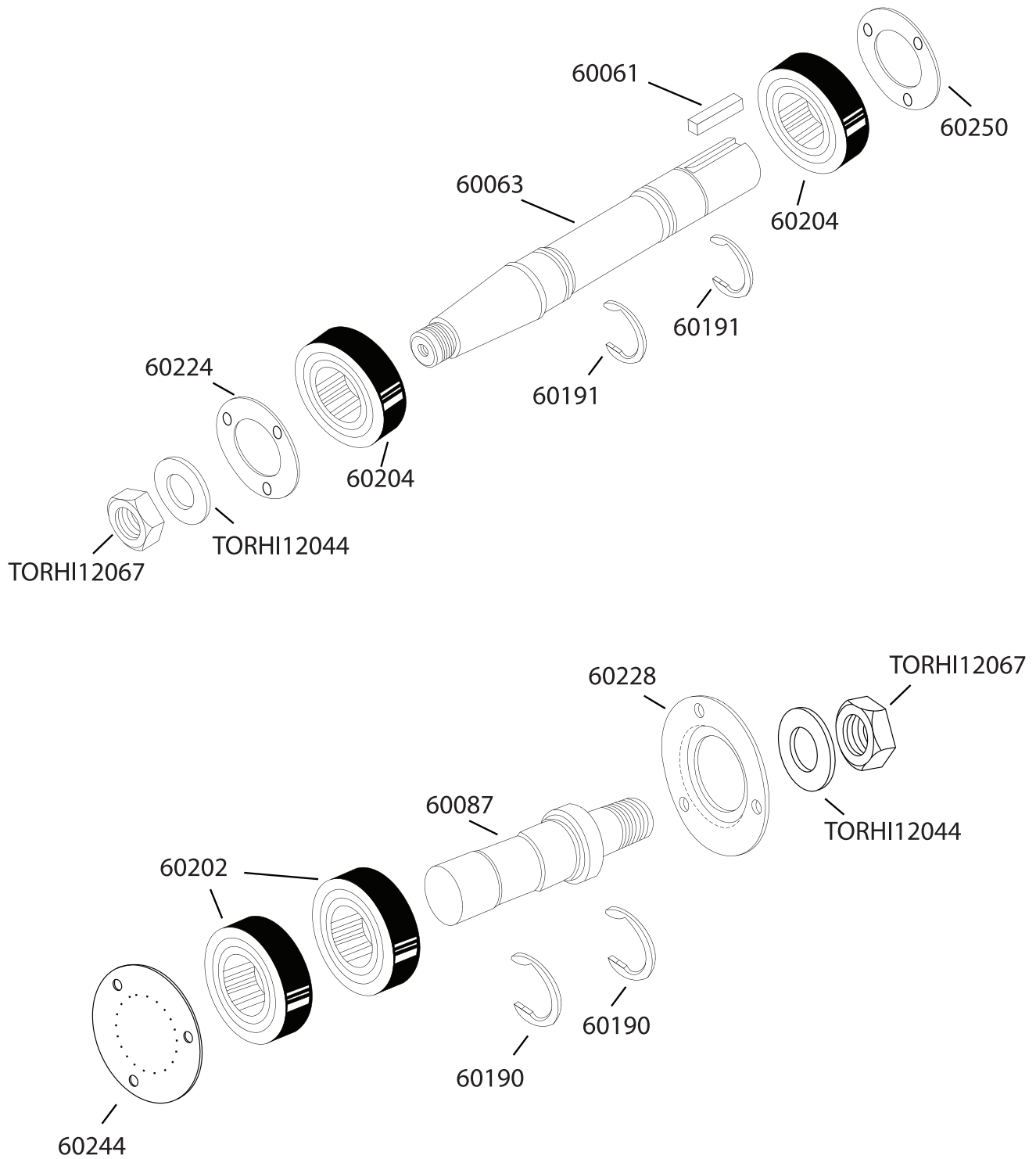
Parts Breakdown

Model BS-VE-1981-E 10270



Parts Breakdown

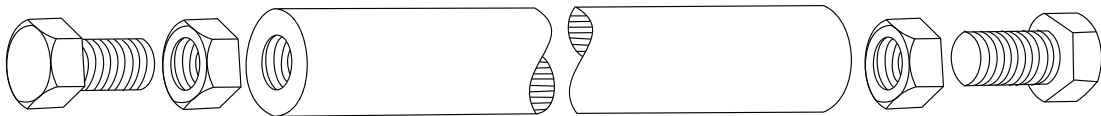
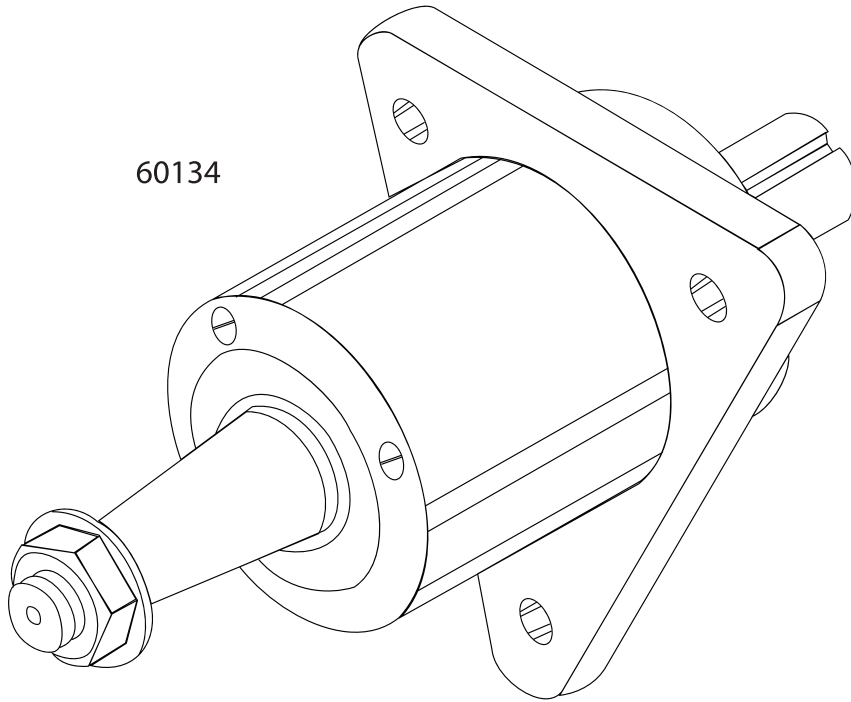
Model BS-VE-1981-E 10270



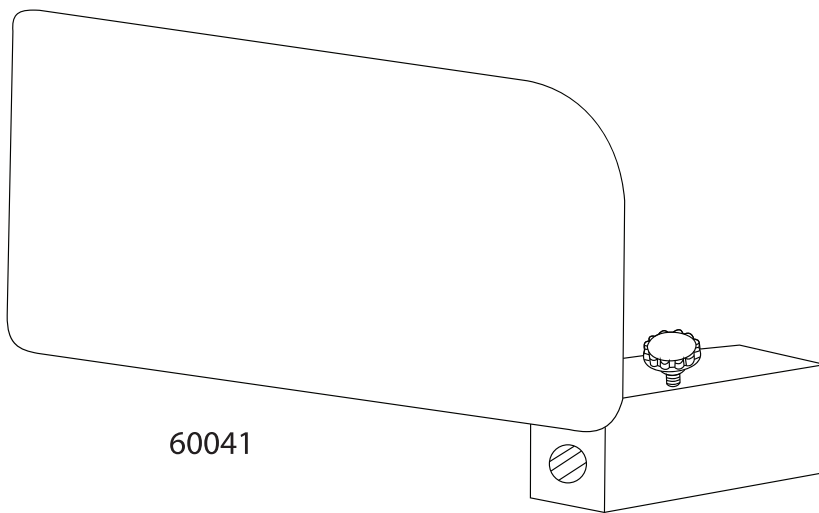
Parts Breakdown

Model BS-VE-1981-E 10270

60134



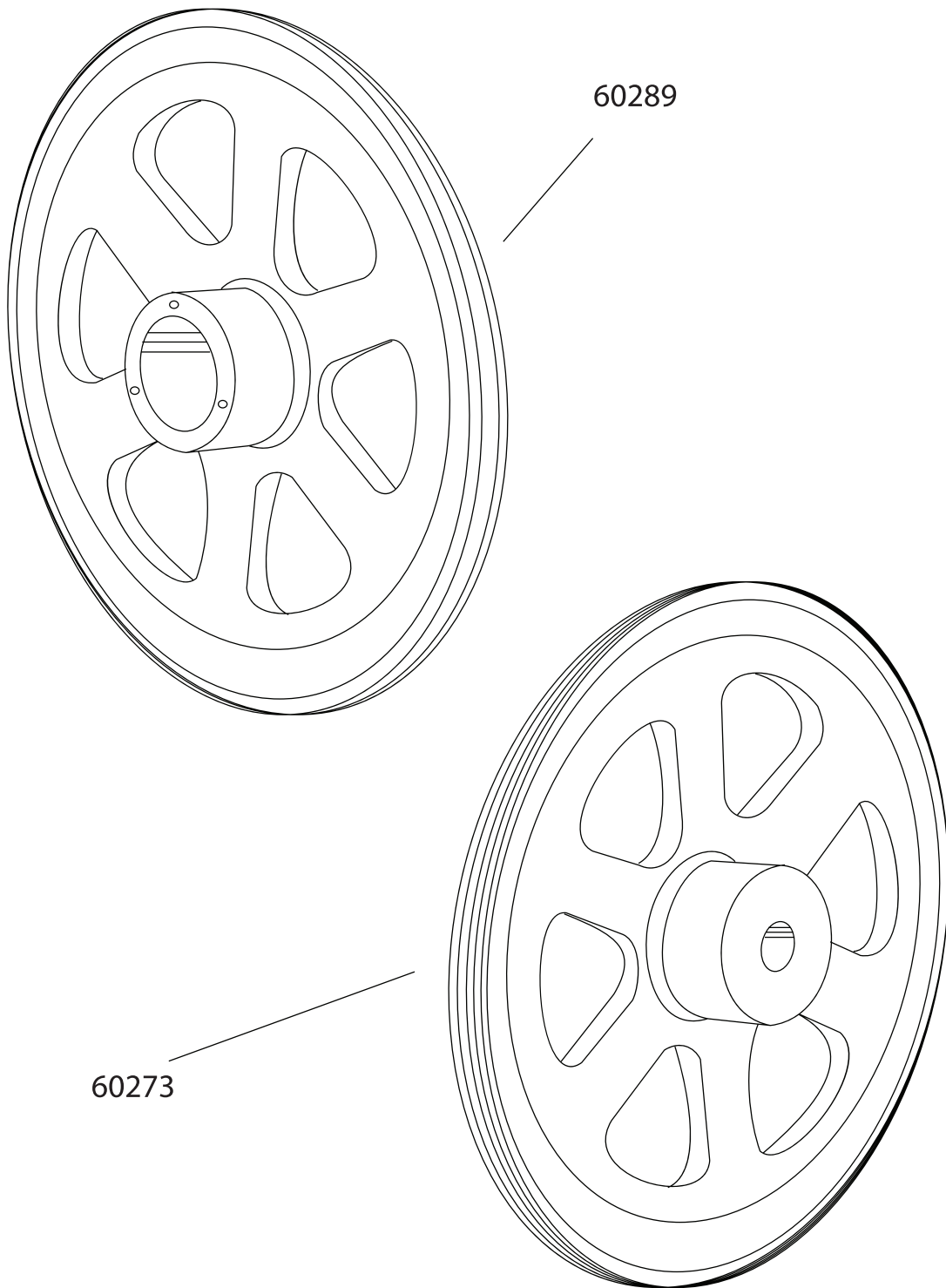
60066



60041

Parts Breakdown

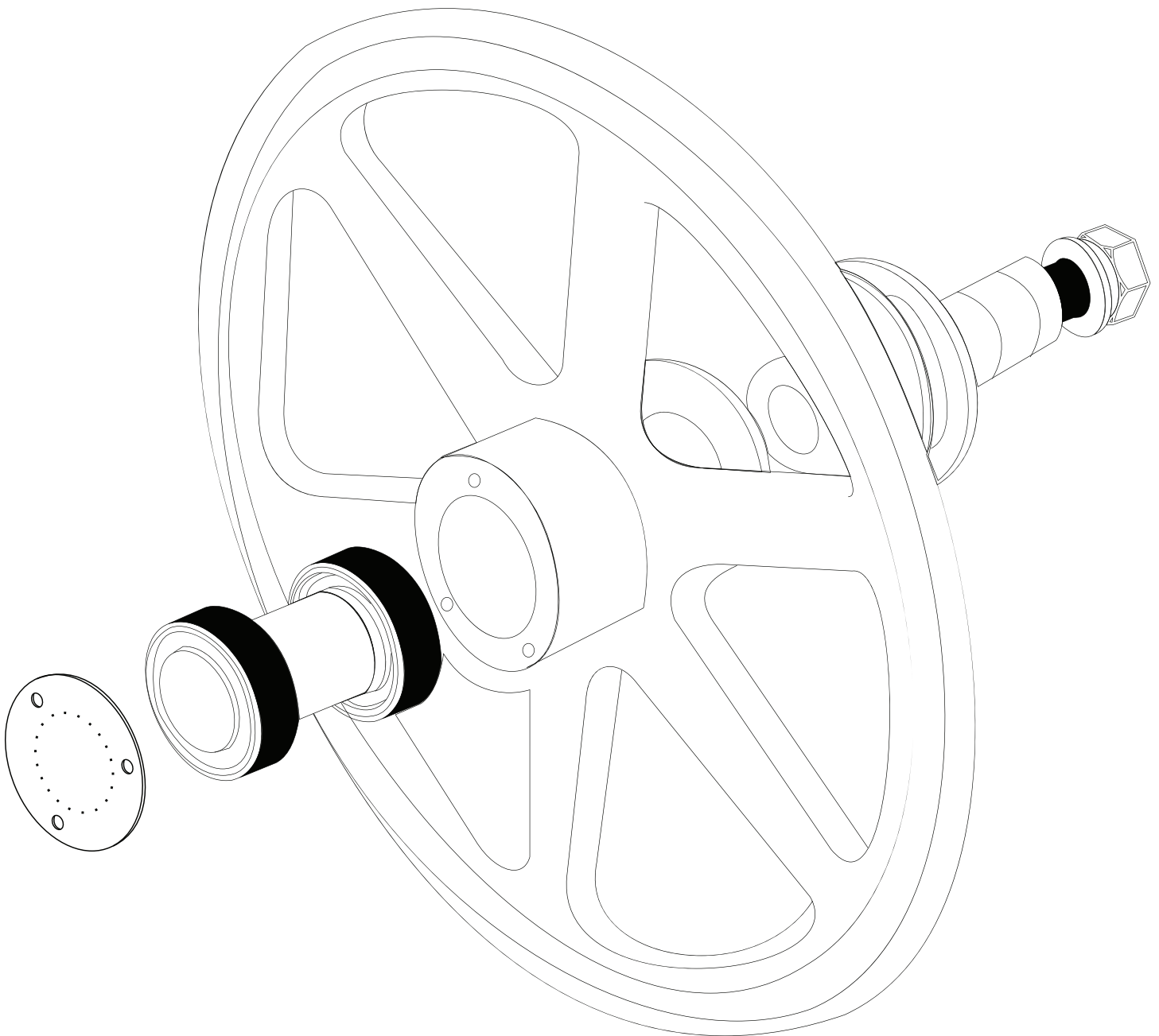
Model BS-VE-1981-E 10270



Parts Breakdown

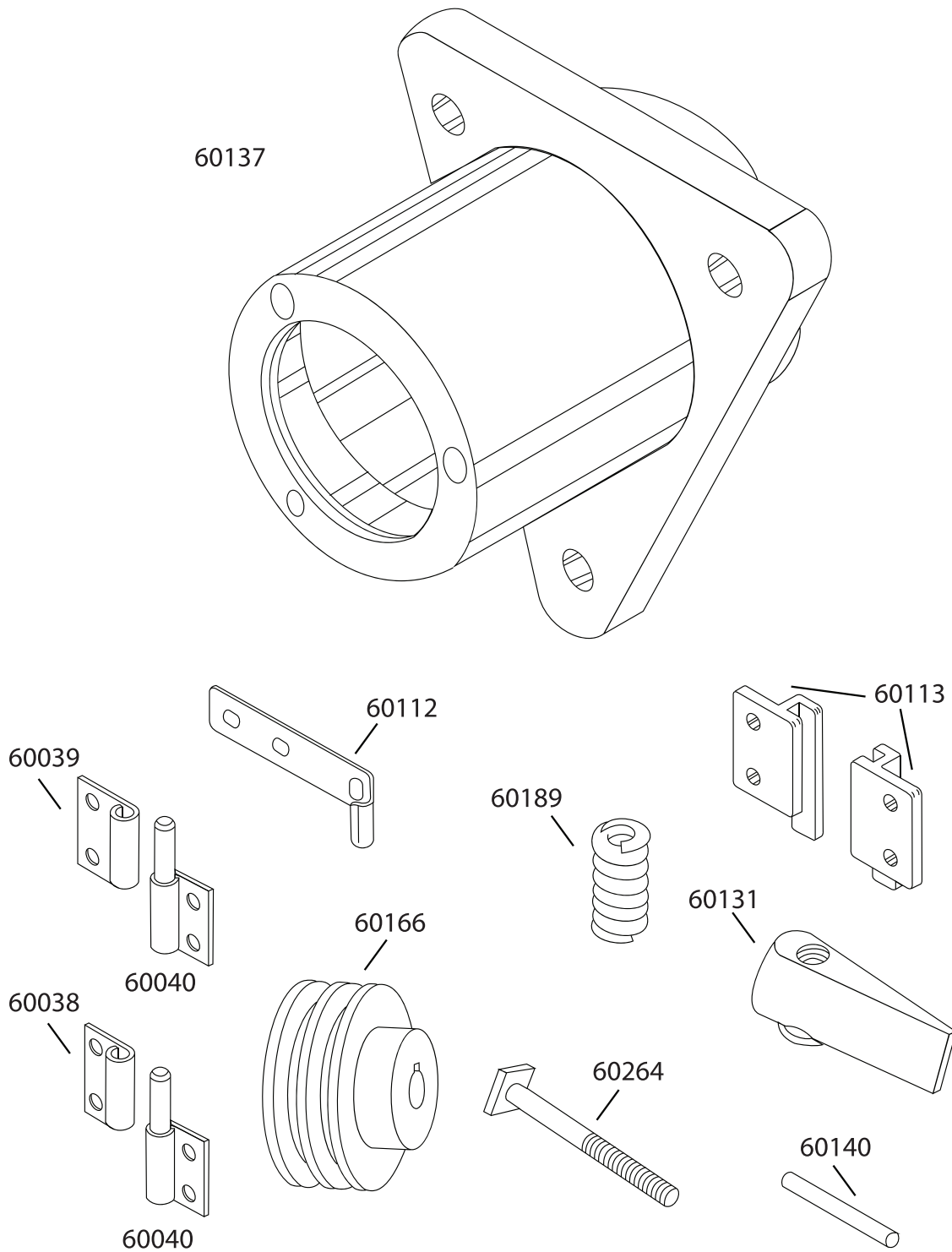
Model BS-VE-1981-E 10270

60279



Parts Breakdown

Model BS-VE-1981-E 10270



Parts Breakdown

Model BS-VE-1981-E 10270

Item No.	Description	Position	Item No.	Description	Position	Item No.	Description	Position
62104	Arm Shaft for 10270	06224	64596	Butterfly of Sierra for 10270	060085	62092	Sealed Steering Wheel Cover for 10270	060169
64816	Flywheel Front Cover for 10270	06227	17709	Complete Housing Assembly for 10270	060096	62093	Complete Car Iron Bumper for 10270	060180
45115	Washer for 10270	060003	62076	Aluminum Housing for 10270	060099	62094	Graduated Screw for 10270	060183
62061	Long Door Hinge for 10270	060014	24154	Pin for 10270	060103	26129	Long Screw for Aluminum Guide for 10270	060187
62062	Full Arm Shield for 10270	060018	62078	Tightening Knob for 10270	060107	44012	Lower Shaft Nut for 10270	060190
62063	Belt for 10270	060026	16869	Knob for 10270	060108	62097	Hollow Conical Lower Steering Wheel for 10270	060191
62064	Shaft Pin for 10270	060030	62080	Front Aluminum Plate for 10270	060114	17714	Complete Upper Pulley Assembly for 10270	060200
17703	Shaft for 10270	060036	62081	Dual Channel Motor Pulley for 10270	060121	62098	Cylindrical Hollow Top Flywheel for 10270	060204
40165	Shaft for 10270	060040	62082	Double Channel Trapezoidal Pulley for 10270	060125	40167	Lock 471/20 for Upper Axis for 10270	060225
62065	Aluminum Flange for 10270	060049	62083	Blade Protector for 10270	060130	17718	Cover for 10270	060236
62066	Aluminum Front for 10270	060051	62084	Hairpin Spring for 10270	060137	62099	Door Hinge for 10270	060245
17706	Complete Tension Assembly for 10270	060053	17710	Clip for 10270	060139	62100	Wheel Axle for Carriage for 10270	060246
64592	Upper Steel Guide for 10270	060061	62085	Upper Flywheel Bearing 6004 for 10270	060147	62101	Tension Screw for 10270	060247
15587	Fluted Guide (Pair R+L) for 10270	060063	45067	Bearing 6200 for 10270	060148	62102	Front Plate Screw for 10270	060248
64592	Upper Steel Guide for 10270	060065	16872	Bearing 6205-2RS1 for 10270	060150	64570	Tension Screw for 10270	060249
AJ570	Rubber Stopper for 10270	060071	64815	Complete Grooved Wheel for 10270	060156	62105	Rubber Foot for 10270	070052
62072	Fork for 10270	060072	64569	Front Platinum for 10270	060160	39414	Motor 110/60/1 for 10270	
17707	Scraper for 10270	060078	62090	Steel Bracket for 10270	060165	23717	On/Off Switch Assembly for 10270	
64579	Scraper for 10270	060079	62091	Aluminum Support for 10270	060167			