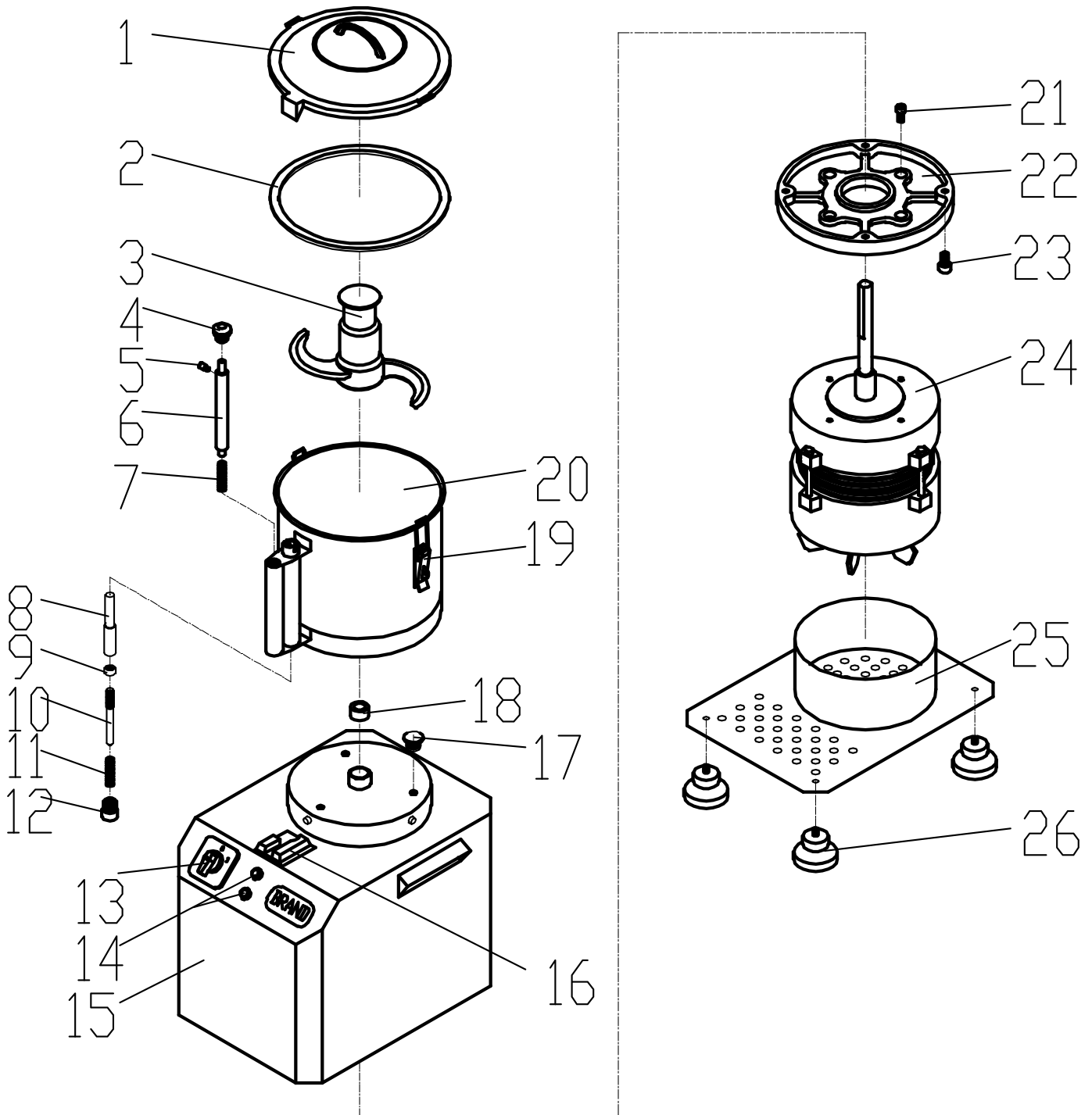


Parts Breakdown

Model FP-CN-0003 10916



Parts Breakdown

Model FP-CN-0003 10916

Item No.	Description	Position	Item No.	Description	Position	Item No.	Description	Position
23437	Bowl Cover without Handle for 10916	1	23446	Pressure Spring for 10916	11	23456	Six Angle Screw for 10916	21
23438	Rubber Ring for 10916	2	23447	Set Screw for 10916	12	23457	Motor Set Plate for 10916	22
23439	Knife for 10916	3	31517	Universal Switch for 10916	13, 16	23458	Six Angle Screw for 10916	23
23440	Tight Screw for 10916	4	31518	Start Button for 10916	14	23459	Motor for 10916	24
23441	Set Pin for 10916	5	31520	Stop Button for 10916	14	23460	Bottom Plate for 10916	25
23442	Set Pole for 10916	6	23450	Rack for 10916	15	23461	Bottom Foot for 10916	26
69071	Spring for 10916	7	23452	Bowl Adjust Ring for 10916	17	31514	AC Contactor for 10916	
23443	Bump Pole I for 10916	8	23453	Copper Setting for 10916	18	31515	Thermal Relay for 10916	
23444	Round Screw for 10916	9	69072	Clasp for 10916	19	24421	Magnetic Switch for 10916	
23445	Bump Pole II for 10916	10	23455	Bowl for 10916	20			