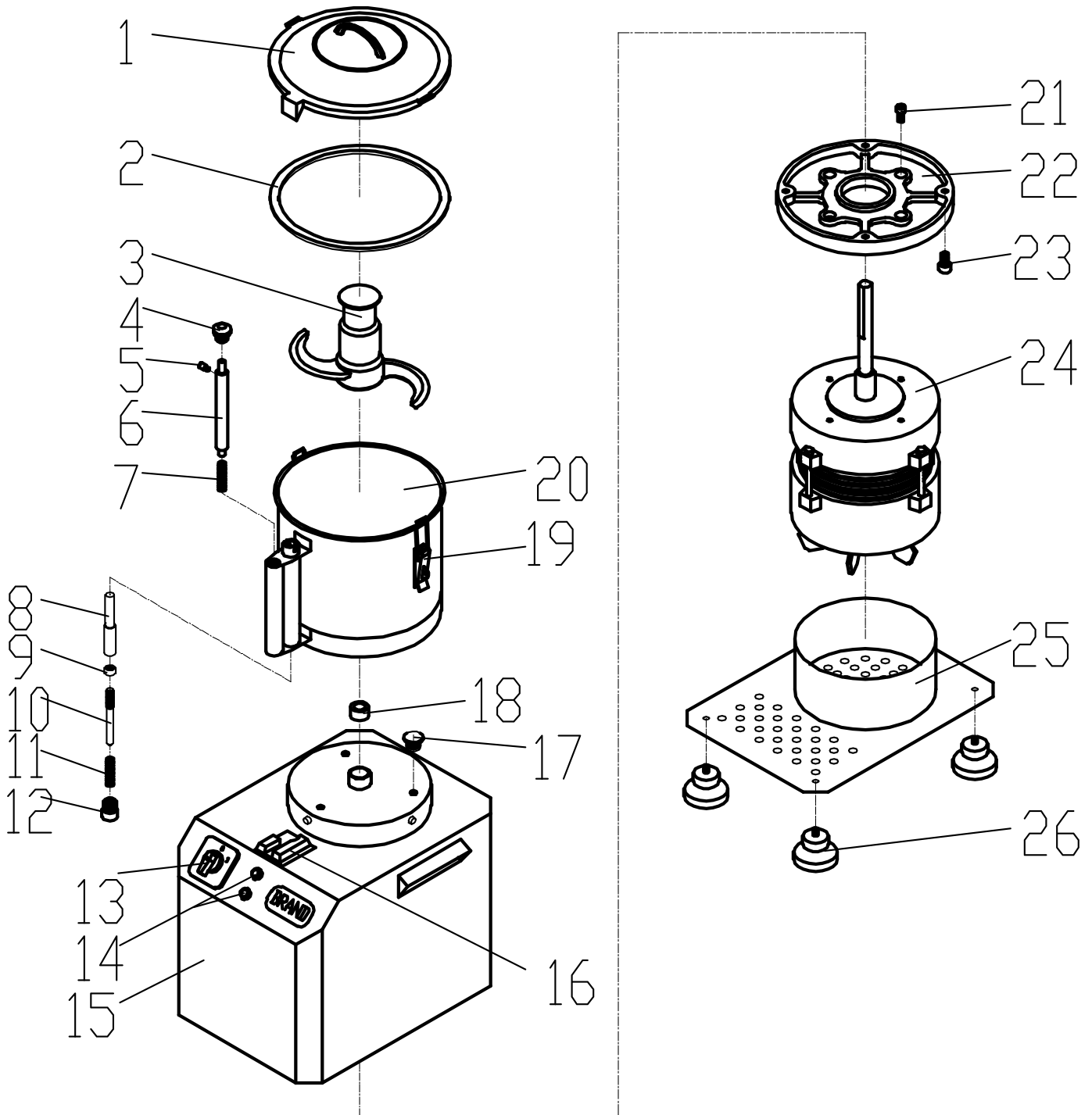


Parts Breakdown

Model FP-CN-0005 10917



Parts Breakdown

Model FP-CN-0005 10917

Item No.	Description	Position	Item No.	Description	Position	Item No.	Description	Position
23412	Bowl Cover without Handle for 10917	1	23422	Set Screw for 10917	12	23432	Motor Set Plate for 10917	22
23413	Rubber Ring for 10917	2	31517	Universal Switch for 10917	13, 16	23433	Six Angle Screw for 10917	23
23414	Knife for 10917	3	31518	Start Button for 10917	14	23434	Motor for 10917	24
23415	Tight Screw for 10917	4	31520	Stop Button for 10917	14	23435	Bottom Plate for 10917	25
23416	Set Pin for 10917	5	23425	Rack for 10917	15	23436	Bottom Foot for 10917	26
69071	Spring for 10917	7	23427	Bowl Adjust Ring for 10917	17	31514	AC Contactor for 10917	
23418	Bump Pole I for 10917	8	23428	Copper Setting for 10917	18	31516	Thermal Relay for 10917	
23419	Round Screw for 10917	9	69072	Clasp for 10917	19	24421	Magnetic Switch for 10917	
23420	Bump Pole II for 10917	10	23430	Bowl for 10917	20			
23421	Pressure Spring for 10917	11	23431	Six Angle Screw for 10917	21			