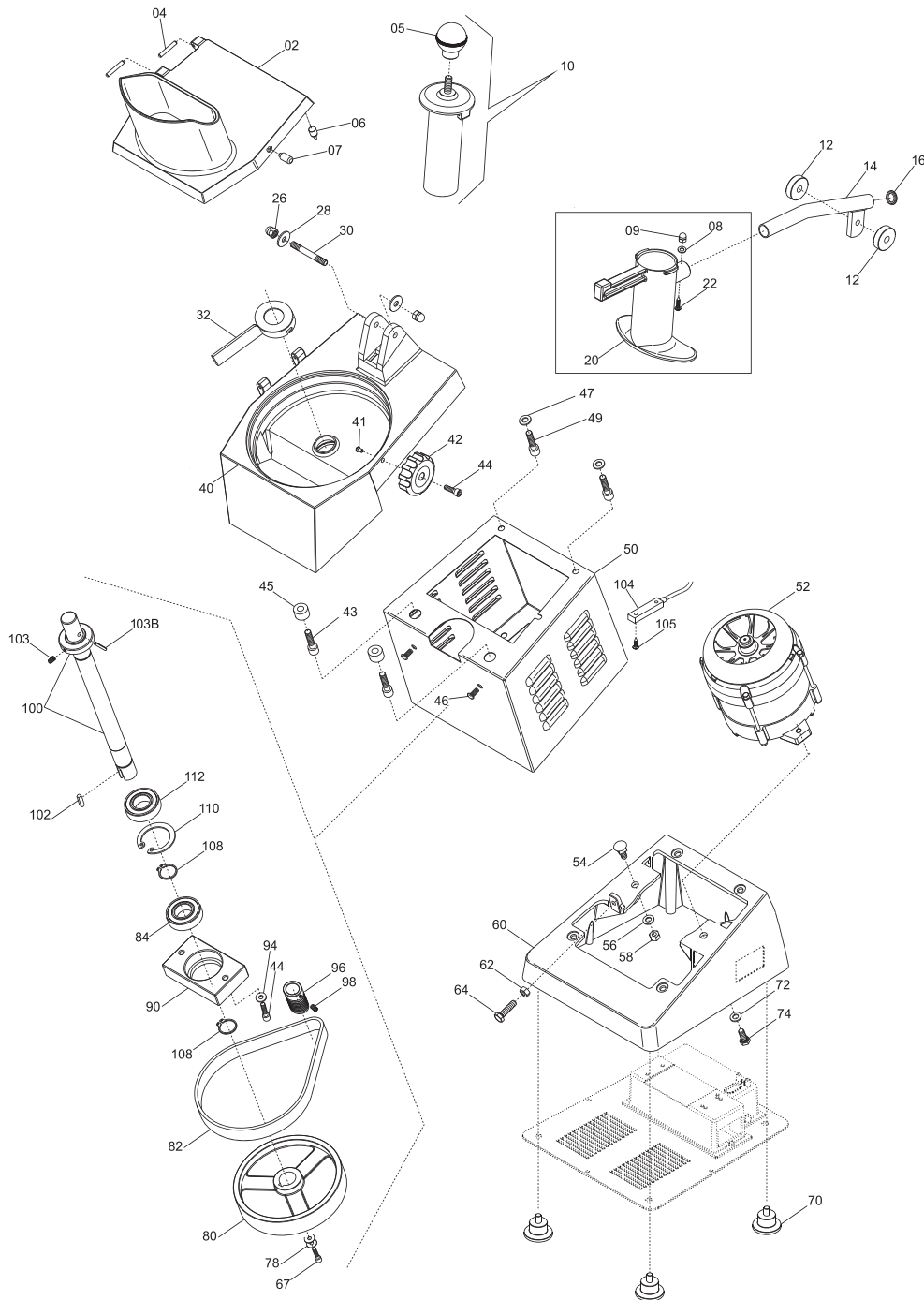


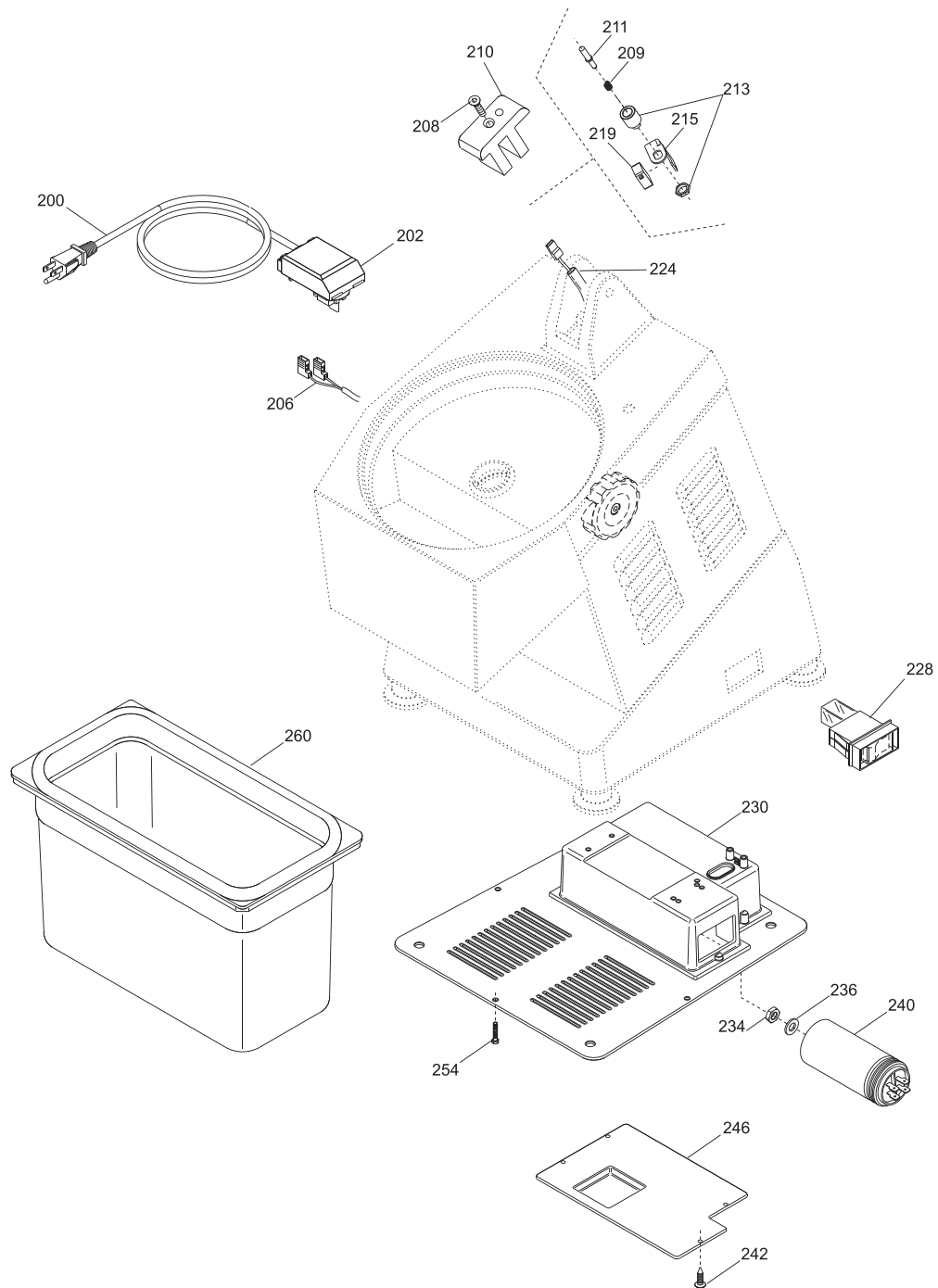
PARTS BREAKDOWN

ITEM	MODEL
10927	FP-IT-0300



PARTS BREAKDOWN

ITEM	MODEL
10927	FP-IT-0300



PARTS BREAKDOWN

ITEM	MODEL
10927	FP-IT-0300

Item No.	Description	Position	Item No.	Description	Position	Item No.	Description	Position
16491	Aluminum Lid for 10927	02	AN100	Slide Attachment Screw for 10927	46	AS944	Self-Tapping Cross Screw 3.5x13 for 10927	105
AS939	Pin 5x30 for 10927	04	62660	Washer F Wide Din 9021 D6x18 for 10927	47	19258	Retaining C-Clip Ext. Seeger D20 for 10927	108
16490	Magnet 6x12 for 10927	06	AN101	Tei Screw 6x12 for 10927	49	19257	Retaining C-Clip Seeger D42 for 10927	110
AS940	Guide Pivot D.10x22.6 for 10927	07	37326	Stainless Steel Cabinet with Louvers for 10927	50	AN104	Ball Bearing PLD ING. 6004 LLU/5K for 10927	112
AH000	Washer Flat Din 125 D.4 for 10927	08	AN102	Motor 110/60 UL Thermal for 10927	52	AS945	America Power Cable for 10927	200
AN092	Cap Nut Din 1587 M4 for 10927	09	62666	Hex.Nut Din 934 M8 for 10927	58, 62, 234	37340	Terminal Box for 10927	202
16493	Pusher with Knob for 10927	10	37329	Base/Frame for 10927	60	37341	Power Connection Cable for 10927	206
37316	Nylon Spacer for 10927	12	AH023	Screw TE Din 933 M8x35 T.F. for 10927	64	AN090	Screw Tsp-Din 963 M4x16 for 10927	208
37317	Stainless Steel Lever for 10927	14	62661	Hex.Socket Head Cap Screw M6x20 for 10927	67	16492	Microswitch Spring for 10927	209
37318	Plug for 10927	16	16496	Foot M8 for 10927	70	AN106	Microswitch Housing W.2 Holes for 10927	210
16486	Pusher Housing UL (Pusher Base Only) for 10927	20	AN103	Screw TE M.8x16 Inox for 10927	74	16485	Micro Plunger-Long UL Appr. for 10927	211
66090	Screw T.Poelier Cacc. M4x35 for Press. for 10927	22	AH015	Washer F.Larga Din 9021 D6x24 for 10927	78, 94	37342	Cylinder X Pin Micro UL for 10927	213
62650	P Nut Din 1587 M8 for 10927	26	37331	Belt Pulley for 10927	80	37343	Support Micro for 10927	215
AN410	Washer Din 9021 D8x24 for 10927	28, 56, 72	16481	Belt J 483x8 for 10927	82	24106	Magnetic Sensor UL Appr. for 10927	219
24107	Stud Bolt M8 for 10927	30	37332	Bearing Block for 10927	84+90	37344	Microswitch Wiring US Market for 10927	224
AS942	Ejecting Arm for 10927	32	37334	Motor Pulley for 10927	96	16452	On/Off Switch Weber 120V with Relay for 10927	228
37324	Square Hopper for 10927	40	AN105	Grub Screw Din 916 M6x6 for 10927	98	37345	Bottom Enclosure Panel for 10927	230
AN095	Aluminum Mushroom 5x10 for 10927	41	37335	Main Shaft Assembly D.20 for 10927	100	AS946	Washer 8x12 for 10927	236
19260	Closing Knob Aluminum for 10927	42	37336	Set Pin 6x6x20 for 10927	102	16498	Capacitor 35 MF for 10927	240
AN097	Hex.Socket Head Cap Screw M6x14 for 10927	43	AS943	Grain M04x05 Inox Smooth for UL for 10927	103	AS941	Cyl. Self-Thr.Screw Din 7981 D3.9x9.5 for 10927	242, 254
AN098	Screw M6x18 for 10927	44	37338	Insert for 10927	103B	37346	Protection Cover for 10927	246
AN099	Spacer Bush 22x15 Cabinet for 10927	45	16499	Micro Safety Switch for 10927	104	AN109	Tray 1/3 H.200 Transparent UL for 10927	260