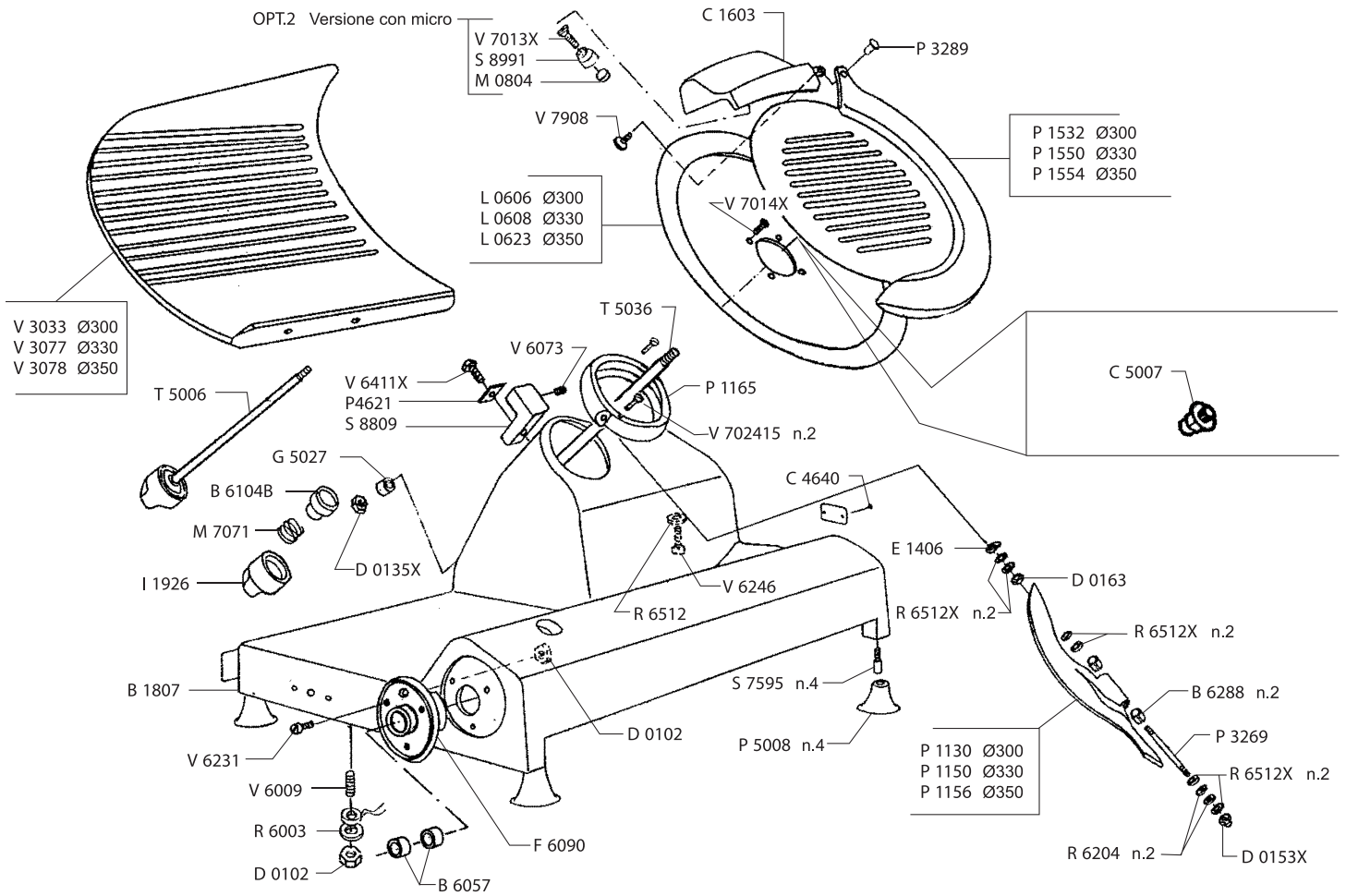


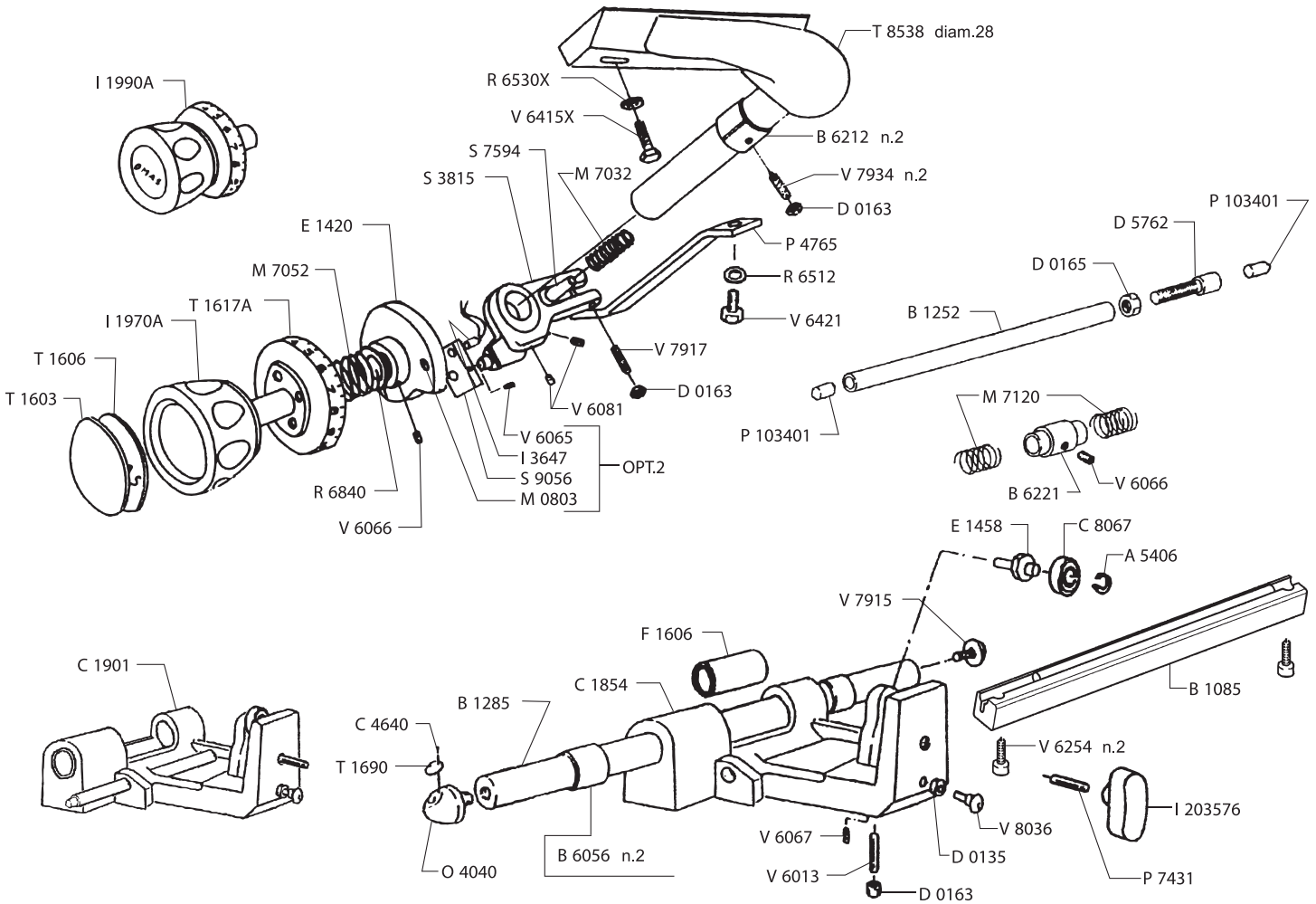
PARTS BREAKDOWN

| ITEM | MODEL |
|-------|--------------|
| 13641 | MS-IT-0300-G |



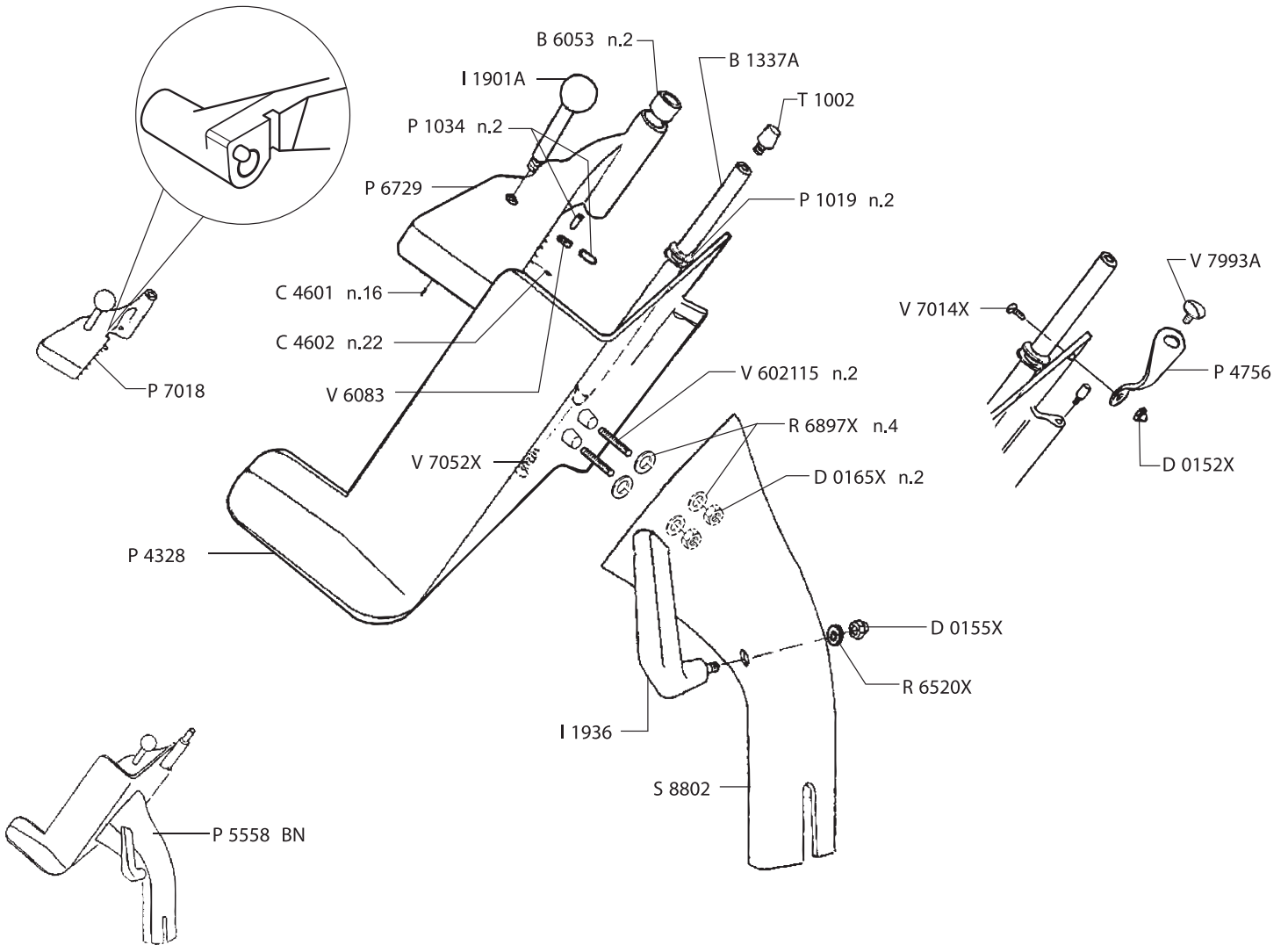
PARTS BREAKDOWN

| ITEM | MODEL |
|-------|--------------|
| 13641 | MS-IT-0300-G |



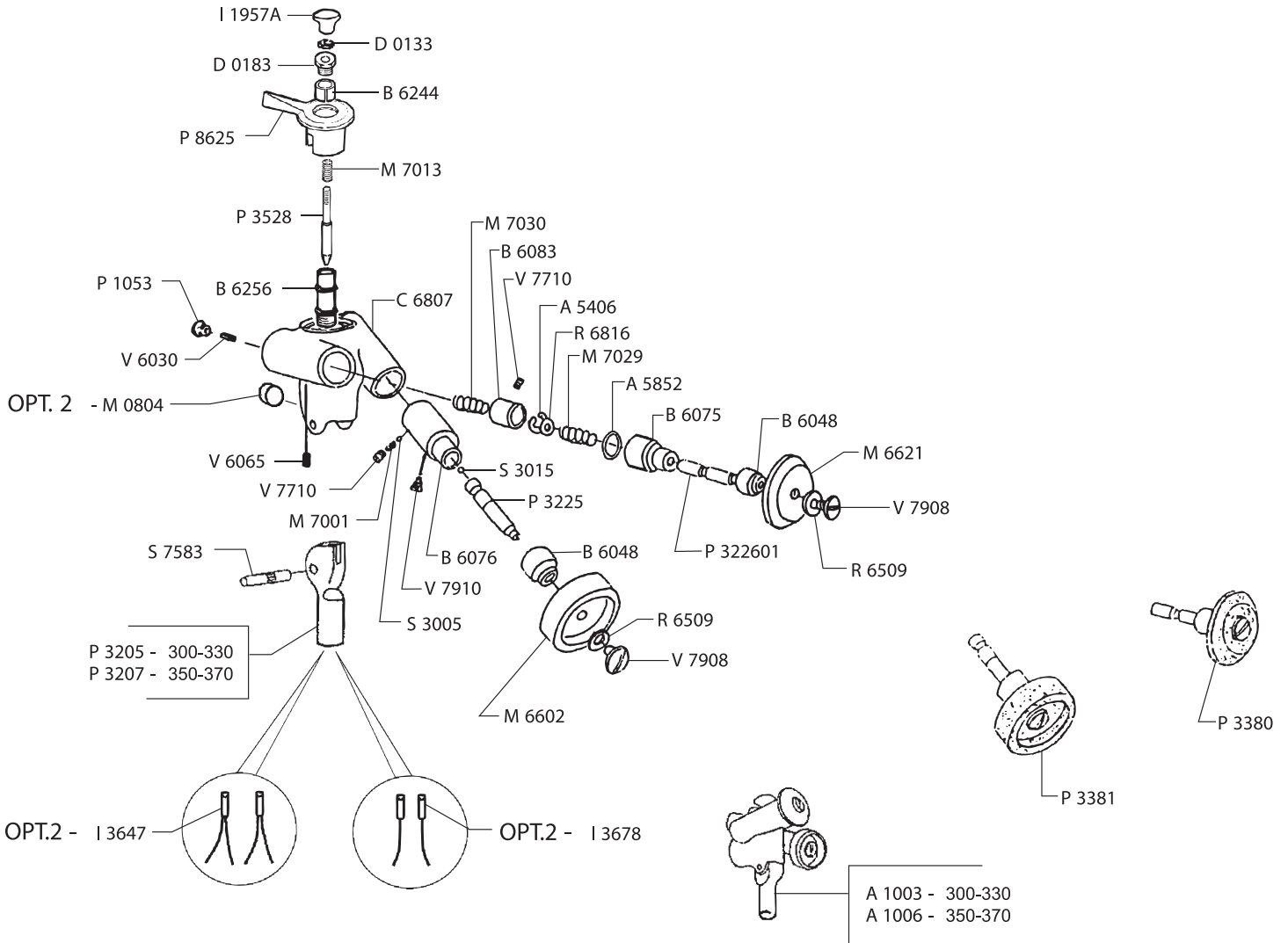
PARTS BREAKDOWN

| ITEM | MODEL |
|-------|--------------|
| 13641 | MS-IT-0300-G |



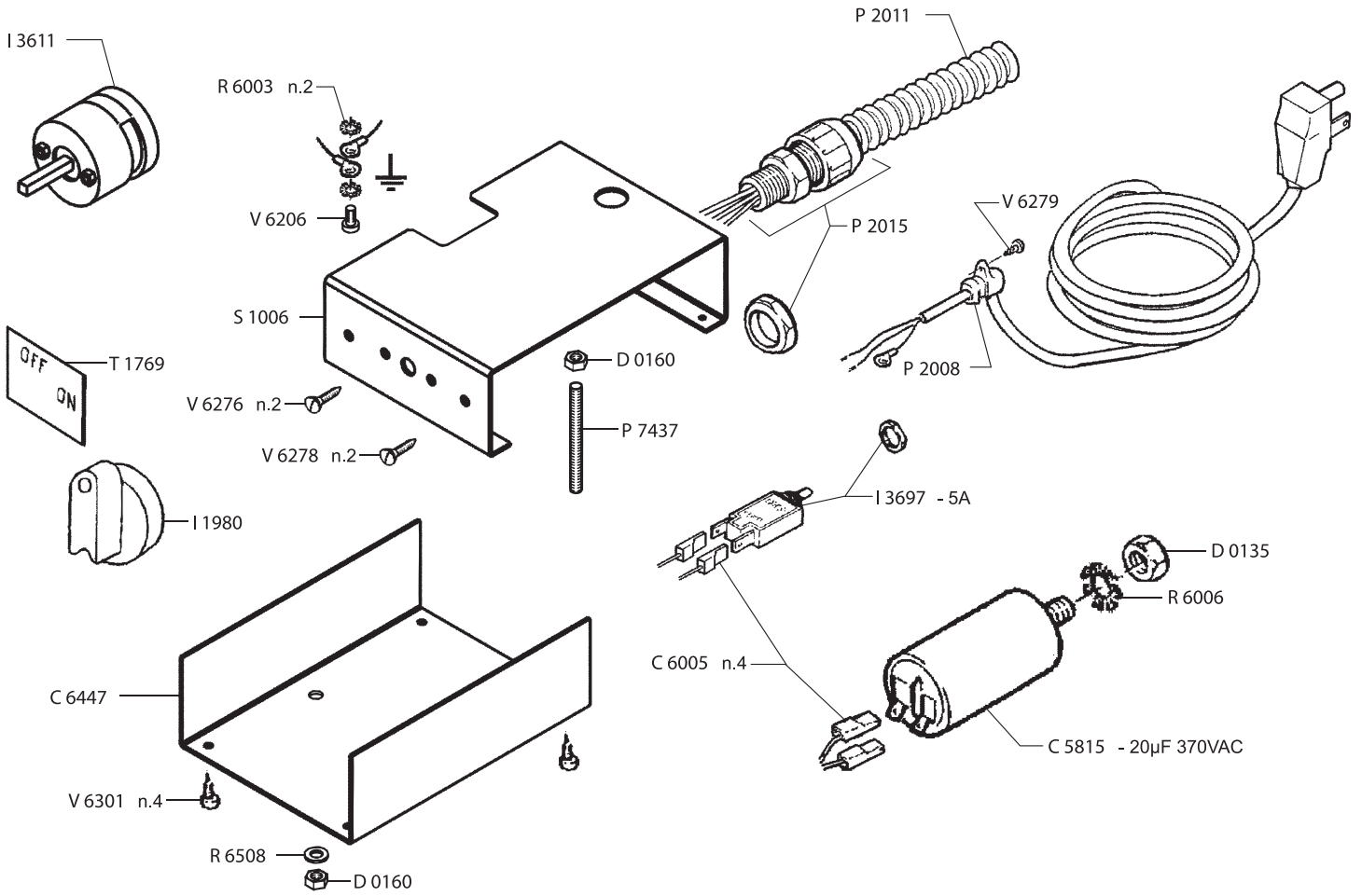
PARTS BREAKDOWN

| ITEM | MODEL |
|-------|--------------|
| 13641 | MS-IT-0300-G |



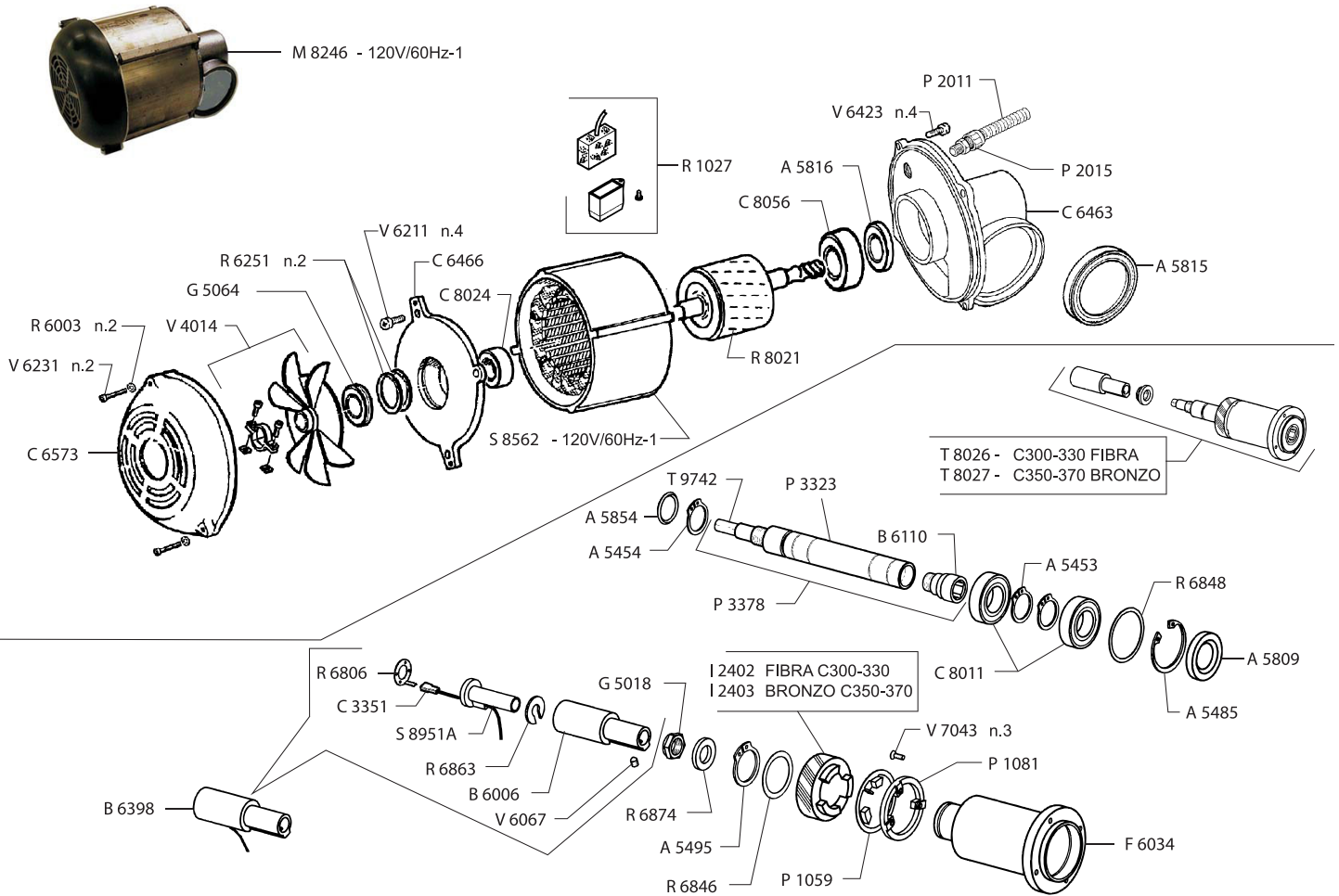
PARTS BREAKDOWN

| ITEM | MODEL |
|-------|--------------|
| 13641 | MS-IT-0300-G |



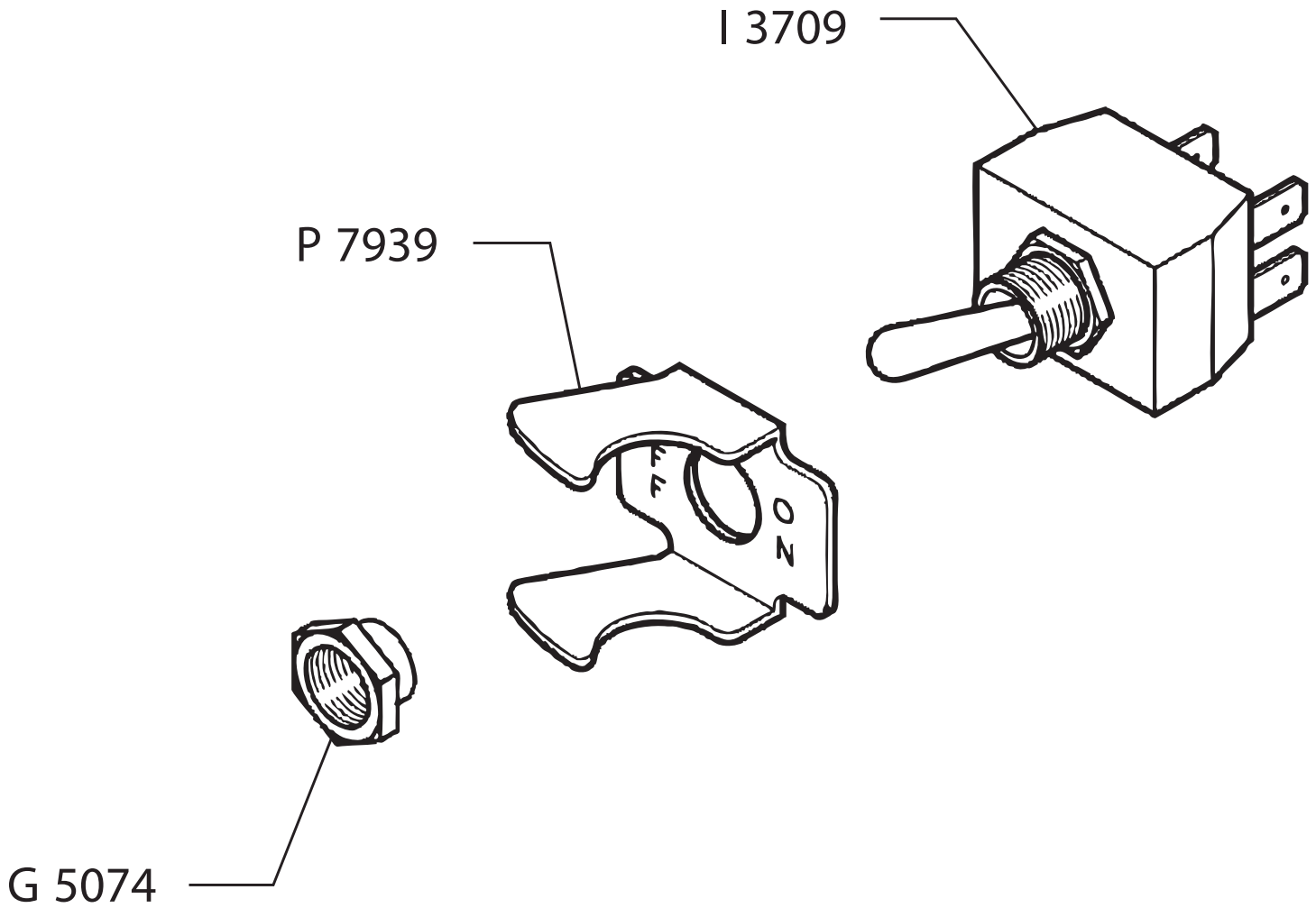
PARTS BREAKDOWN

| ITEM | MODEL |
|-------|--------------|
| 13641 | MS-IT-0300-G |



PARTS BREAKDOWN

| ITEM | MODEL |
|-------|--------------|
| 13641 | MS-IT-0300-G |



PARTS BREAKDOWN

| ITEM | MODEL |
|-------|--------------|
| 13641 | MS-IT-0300-G |

| Item No. | Description | Position | Item No. | Description | Position | Item No. | Description | Position |
|----------|--|----------|----------|--|----------|----------|--|----------|
| 17272 | Sharpening Assy (Support & Stones) for 13641 | A1003 | 19630 | Bushing Fastener HBC for 13641 | B6104B | 17334 | Bearing 2Z-6205 25x52x15 for 13641 | C8011 |
| 16902 | Ring EL.Benzing 8 for 13641 | A5406 | 78265 | Bushing Funnel for 13641 | B6110 | 16925 | Bearing 2RS-6204 20x47x14 for 13641 | C8024 |
| 17281 | Ring EL.Seeger Ext.25 for 13641 | A5453 | 18648 | Bushing for 13641 | B6212 | 36631 | Bearing 2RS-6205 25x52x15 for 13641 | C8056 |
| 77585 | Ring EL.Seeger EST.25 Ser.Heavy for 13641 | A5454 | 36566 | Bushing to Hold Carriage Springs for 13641 | B6221 | 16926 | Bearing 2RS-6000 (10x26x8) for 13641 | C8067 |
| 19484 | Ring 52 for 13641 | A5485 | 17313 | Bushing DU 14x15x16 for 13641 | B6244 | 60423 | Touch Pad Gasket for 13641 | C8242 |
| 19612 | Ring 33 for 13641 | A5495 | 23646 | Sharpener Pivot Ferrule for 13641 | B6256 | 19637 | Nut M3 for 13641 | D0101 |
| 17283 | Oil Seal 25x52x10 for 13641 | A5809 | 41601 | Bushing DU 6x8x10 for 13641 | B6288 | 19638 | Nut M4 for 13641 | D0102 |
| 17285 | Oil Seal 60x75x8 for 13641 | A5815 | 78677 | Bushing Fastener Guard Knife C for 13641 | B6398 | 77612 | Self-Locking Nut M3 UNI7473 for 13641 | D0110 |
| 19493 | Oil Seal 25x47x07 for 13641 | A5816 | 16909 | Sharpener Cover for 13641 | C1603 | 16928 | Nut U5589 M6 for 13641 | D0133 |
| 77601 | Oil Seal OR 2010 for 13641 | A5848 | 36590 | AG35-C-H Carriage for 13641 | C1854 | 19639 | Nut M8 for 13641 | D0135 |
| 17287 | O-Ring 123 17.86x2.62 for 13641 | A5852 | 19527 | Carriage Ass C for 13641 | C1901 | 36637 | Nut U5589 M8 Stainless Steel for 13641 | D0135X |
| 17288 | O-Ring 3081 20.24x2.62 for 13641 | A5854 | 77605 | Assy Wiring 6 Poles LG.400 for 13641 | C3236 | 36639 | Nut U5721 M5 Stainless Steel for 13641 | D0152X |
| 77602 | O-Ring OR 4500 for 13641 | A5857 | 65610 | Cord 0.5 LG.750 Coverblade Microswitch for 13641 | C3351 | 36640 | Domed Nut U5721 M6 Stainless Steel for 13641 | D0153X |
| 36547 | Carriage Rod lg.465 for 13641 | B1085 | 17316 | Pin 8.5mm for 13641 | C4601 | 19642 | Nut M8 for 13641 | D0155X |
| 36549 | Shock Absorber Rod 12x185 for 13641 | B1252 | 17317 | Pin .11 for 13641 | C4602 | 36643 | Nut U5588 M5 for 13641 | D0160 |
| 36552 | Carriage Rod for 13641 | B1285 | 36601 | Rivet 1.9x5 for 13641 | C4640 | 19644 | Nut M6 for 13641 | D0163 |
| 19501 | Meat Grip Rod A310 & C for 13641 | B1337A | 36607 | Blade Cover Bolt Keeper 14x14 M for 13641 | C5007 | 36647 | Nut U5588 M8 for 13641 | D0165 |
| 78270 | Body for 13641 | B1807 | 20458 | Capacitor 20uF for 13641 | C5815 | 36648 | Nut U5588 M8 for 13641 | D0165X |
| 17298 | Bushing Fastener C for 13641 | B6006 | AI225 | Connector for 13641 | C6005 | 36651 | Sharpener Support Nut for 13641 | D0183 |
| 16904 | Bushing Sharpener for 13641 | B6048 | 74403 | Connector Faston 2 Poles Male for 13641 | C6010 | 36661 | Carriage Shock Absorber Spacer for 13641 | D5762 |
| 16905 | Bushing DU 16x18x15 for 13641 | B6053 | 77611 | P.C.B. Cover Box for 13641 | C644680 | 30459 | Stop Cam for 13641 | E1406 |
| 17304 | Bushing DU 25x28x20 for 13641 | B6056 | AI226 | Cover Box for S1006 for 13641 | C6447 | 17342 | Cam 15mm for 13641 | E1420 |
| 17305 | Bushing DU 18x20x15 for 13641 | B6057 | 78266 | Front Motor Cover for 13641 | C6463 | 17345 | Cam Bearing for 13641 | E1458 |
| 16906 | Bush Sharpening for 13641 | B6075 | 36615 | Back Motor Cover for 13641 | C6466 | 77614 | Nylon Cable Tie (Diam.45x200) for 13641 | F2815 |
| 16907 | Bush. Sharpening for 13641 | B6076 | 36617 | Motor Fan Cover for 13641 | C6573 | 17348 | Flange Knife C for 13641 | F6034 |
| 17307 | Bushing Sharp. for 13641 | B6083 | 19534 | Housing Sharpener H for 13641 | C6807 | 17351 | Locknut for 13641 | G5018 |

PARTS BREAKDOWN

| ITEM | MODEL |
|-------|--------------|
| 13641 | MS-IT-0300-G |

| Item No. | Description | Position | Item No. | Description | Position | Item No. | Description | Position |
|----------|--|----------|----------|---|----------|----------|---------------------------------------|----------|
| 36689 | Stainless Steel Locknut M8 for 13641 | G5027 | 19250 | Spring 24.8x1.8x15 for 13641 | M7071 | 17426 | Assy Honing Stone Pivot for 13641 | P3380 |
| 36697 | Logging Lock Nut GL25 for 13641 | G5064 | 19248 | Spring 15.6x20x2.2 for 13641 | M7120 | 17427 | Assy Grinding Stone & Pin for 13641 | P3381 |
| 17352 | Touch Pad-Start/Stop Push Button for 13641 | I1680 | 78283 | Screw for 13641 | M7132 | 23645 | Sharpener Pivot for 13641 | P3528 |
| 16930 | Handle C for 13641 | I1901A | 20263 | Motor 120V/60Hz-1 for 13641 | M8246 | 26126 | Table for 13641 | P4328 |
| 17356 | Fastener Handle for 13641 | I1926 | 19791 | Oiler Oil Cap with Screw for 13641 | O4040 | 19831 | Gauge Plate Flat Bar VS for 13641 | P4621 |
| 19587 | Sharpener Knob for 13641 | I1957A | 17390 | Rubber Shock ABS. 16x22x2.5 for 13641 | P1019 | 16960 | Support Plate for 13641 | P4756 |
| 36705 | Adjustment Knob for 13641 | I1970A | 17392 | PL.Shock Absorb.8.5x20 for 13641 | P1034 | 36830 | Flat Bar C for 13641 | P4765 |
| 36707 | Switch Handle for 13641 | I1980 | 36761 | Shock Absorber for 13641 | P103401 | 16961 | Foot for 13641 | P5008 |
| 36708 | Assy Index Knob for 13641 | I1990A | 36762 | Rubber Plug for 13641 | P1053 | 78235 | End Grip for 13641 | P6729 |
| 18220 | Knob-Handling for 13641 | I203576 | 16955 | Shock Absorber for 13641 | P1059 | 17443 | End Grip for 13641 | P7018 |
| 62453 | Nylon Gear with Cap for 13641 | I2402 | 17395 | Shock Absorber for 13641 | P1081 | 17444 | Stud Carriage for 13641 | P7431 |
| 16938 | Switch and Knob for 13641 | I3611 | 17402 | Deflector HM-HP for 13641 | P1130 | AI228 | Stud Motor Cover for 13641 | P7437 |
| 17369 | Switch 4x20 for 13641 | I3647 | 27888 | Ring Deflector for 13641 | P1165 | 60424 | Touch Pad Screw for 13641 | P7447 |
| 36723 | Switch 4x25 for 13641 | I3678 | 36766 | Knife Guard for 13641 | P1532 | AI229 | Protection Switch Lev.(ETL) for 13641 | P7939 |
| 72282 | Overload Protector for 13641 | I3697 | 77616 | Strain Relief for 13641 | P2004 | 78282 | Lock Washer for 13641 | P8620 |
| AI227 | Interr.Bipolare A Levetta 16A for 13641 | I3709 | 17415 | Strain Relief for 13641 | P2008 | 24030 | Sharpener Operating Handle for 13641 | P8625 |
| 13593 | Blade 300 57x4x254x22 for 13641 | L0606 | 60421 | Electrical Conduit for 13641 | P2011 | 78284 | Bracket for 13641 | P8626 |
| 36733 | Magnet 8x10 for 13641 | M0803 | 36778 | Wire-Press for 13641 | P2014 | 65640 | Oil Receiver for 13641 | R1027 |
| 21645 | G Stone 51x15x14.3 for 13641 | M6602 | 36779 | Core-Hitch+Nut for 13641 | P2015 | 19657 | Washer 4 for 13641 | R6003 |
| 21644 | F Stone 51x7x14.3 for 13641 | M6621 | 19811 | Pin Sharpener for 13641 | P3205 | 19659 | Washer 8 for 13641 | R6006 |
| 36741 | Spring 2.9x4x12 Stainless Steel for 13641 | M7001 | 16959 | Pin Grinding for 13641 | P3225 | 17454 | Washer for 13641 | R6204 |
| 17377 | Spring 8.5x1.0x25 Stainless Steel for 13641 | M7013 | 17419 | Pin Truing for 13641 | P322601 | 78258 | Washer 30.5x46.5x0.6 for 13641 | R6251 |
| 17379 | Spring 11.9x0.7x27 Stainless Steel for 13641 | M7029 | 17422 | Pin Deflector for 13641 | P3269 | 36880 | Washer U6592 3 for 13641 | R6504 |
| 17380 | Spring 13.4x1.3x30 Stainless Steel for 13641 | M7030 | 17423 | Pivot Hinged Support O10x22 (Pin Grinding Long) for 13641 | P3289 | 17455 | Washer U6592 4 for 13641 | R6505 |
| 19776 | Spring 14x1.5x60 for 13641 | M7032 | 78237 | Knife Shaft for 13641 | P3323 | 17456 | Washer U6592 5 for 13641 | R6508 |
| 17381 | Spring 22 5x1 8x18 for 13641 | M7052 | 23649 | Knife Shaft for 13641 | P3378 | 20422 | Washer for 13641 | R6509 |

PARTS BREAKDOWN

| ITEM | MODEL |
|-------|--------------|
| 13641 | MS-IT-0300-G |

| Item No. | Description | Position | Item No. | Description | Position | Item No. | Description | Position |
|----------|---|----------|----------|---------------------------------------|----------|----------|---|----------|
| 16967 | Washer U65926 for 13641 | R6512 | 36934 | Bracket.Tray C for 13641 | S8802 | 19692 | Screw M6x8 for 13641 | V6067 |
| 17457 | Washer U6592 6 Stainless Steel for 13641 | R6512X | 19871 | Bracket Sharpener for 13641 | S8809 | 23648 | Screw for 13641 | V6073 |
| 36884 | Washer U6592 8 Stainless Steel for 13641 | R6520X | 78236 | Bracket Washer C for 13641 | S8951A | 37030 | Screw M12x16 U5927 for 13641 | V6081 |
| 36885 | Washer U6592 10 Stainless Steel for 13641 | R6530X | 60422 | Touch Pad Back Casing for 13641 | S9236 | 37031 | Screw STEI U5929 M8x16 for 13641 | V6083 |
| 17458 | Contact Washer for 13641 | R6806 | 19878 | Rubber Cap for 13641 | T1002 | 37033 | Screw TC U6107 M4x8 for 13641 | V6206 |
| 36889 | Washer 10.5x16x1 for 13641 | R6816 | 19879 | Label for 13641 | T1603 | 19697 | Screw M5x16 for 13641 | V6211 |
| 16969 | Washer 18.2x25x0.5 for 13641 | R6840 | 19880 | Label for 13641 | T1606 | 19699 | Screw M4x25 for 13641 | V6231 |
| 17460 | Washer 34.2x46x0.5 for 13641 | R6846 | 36985 | Label Plate for 13641 | T1617A | 19702 | Screw M6x25 for 13641 | V6246 |
| 19674 | Washer 44.5x51.5x0.2 for 13641 | R6848 | 19883 | Label Oil for 13641 | T1690 | 37042 | Screw TCEI U5931 M8x25 for 13641 | V6254 |
| 19675 | Washer C for 13641 | R6863 | 77628 | Switch Overlay H-C (CE) for 13641 | T1760 | 37047 | Screw TC AUT.D7971 2.9x13 for 13641 | V6276 |
| 36892 | Washer 17x30x4 for 13641 | R6874 | 16978 | Blade Cover Fastener Assy C for 13641 | T5006 | 19706 | Screw for 13641 | V6278 |
| 36893 | Stainless Steel Special Washer 8.5x24x2 for 13641 | R6897X | 19887 | Blade Cover Fastener C for 13641 | T5036 | 37048 | Screw TCTC AUT.D7981 3.5x9.5 for 13641 | V6279 |
| 78261 | Rotor Stator H.50 for 13641 | R8021 | 16983 | Knife Shaft Assy for 13641 | T8026 | 77629 | Screw TBTC AUT.U6954 4.2x13 for 13641 | V6296 |
| 77619 | P.C.B. Protection Box for 13641 | S100480 | 36999 | Riding Pin (Diam.28) for 13641 | T8538 | 37054 | Screw TBTC AUT.U6954 2.9x9.5 for 13641 | V6301 |
| AI230 | Electric Box for 13641 | S1006 | 79283 | Shaft Pin for 13641 | T9742 | 37058 | Stainless Steel Screw M4x8 for 13641 | V6370 |
| 19680 | Ball 3 17 for 13641 | S3005 | 37005 | Gauge Plate for 13641 | V3033 | 37059 | Stainless Steel Screw M4x14 for 13641 | V6371 |
| 17465 | Ball 4.76 for 13641 | S3015 | 37013 | Motor Fan MEC80 148x16 for 13641 | V4014 | 37061 | Screw TE U5739 M8x35 Inox for 13641 | V6411X |
| AP747 | Electric P.C. Board 120V/60 for 13641 | S3265 | 37017 | Screw STTC U6113 M4x30 for 13641 | V6009 | 37064 | Screw TE U5739 M10x35 for 13641 | V6415X |
| 36908 | Track C-CD for 13641 | S3815 | 17492 | Screw STTC U6113 M6x40 for 13641 | V6013 | 37066 | Screw TE U5737 M6x15 for 13641 | V6421 |
| 17475 | Pin 8x42 for 13641 | S7583 | 26127 | Stud C Model for 13641 | V602115 | 37067 | Screw TE U5739 M5x20 for 13641 | V6423 |
| 19867 | Pin D10 M6 L26 for 13641 | S7594 | 37021 | Screw for 13641 | V6030 | 37078 | Stainless Steel Screw TSP U6109 M5x12 for 13641 | V7013X |
| 17476 | Foot Support Pin D.10 M8 L.37 for 13641 | S7595 | 37023 | Screw STEI U5929 M5x5 for 13641 | V6065 | 17497 | Screw TSP U6109 M5x15 Stainless Steel for 13641 | V7014X |
| 19870 | Stator 120/60 for 13641 | S8562 | 19691 | Grub Screw M6x6 for 13641 | V6066 | 37080 | Stainless Steel Screw M4x40 U6109 for 13641 | V702415 |

PARTS BREAKDOWN

| ITEM | MODEL |
|-------|--------------|
| 13641 | MS-IT-0300-G |

| Item No. | Description | Position | Item No. | Description | Position | Item No. | Description | Position |
|----------|--|----------|----------|---|----------|----------|------------------------------|----------|
| 17498 | Screw TSPEI U5933 M4x10 for 13641 | V7043 | 19715 | Screw Sharpener for 13641 | V7910 | 37095 | Screw for Rod 6x13 for 13641 | V7993A |
| 37084 | Screw TSPEI U5933 M10x30 Stainless for 13641 | V7052X | 17504 | Bar Screw M6x14 Stainless Steel for 13641 | V7915 | 19920 | Screw M8x30 for 13641 | V8036 |
| 19713 | Screw Sharpener for 13641 | V7710 | 19717 | Screw M6x50 for 13641 | V7917 | | | |
| 17503 | Screw M5x13 for 13641 | V7908 | 19720 | Screw M6 for 13641 | V7934 | | | |