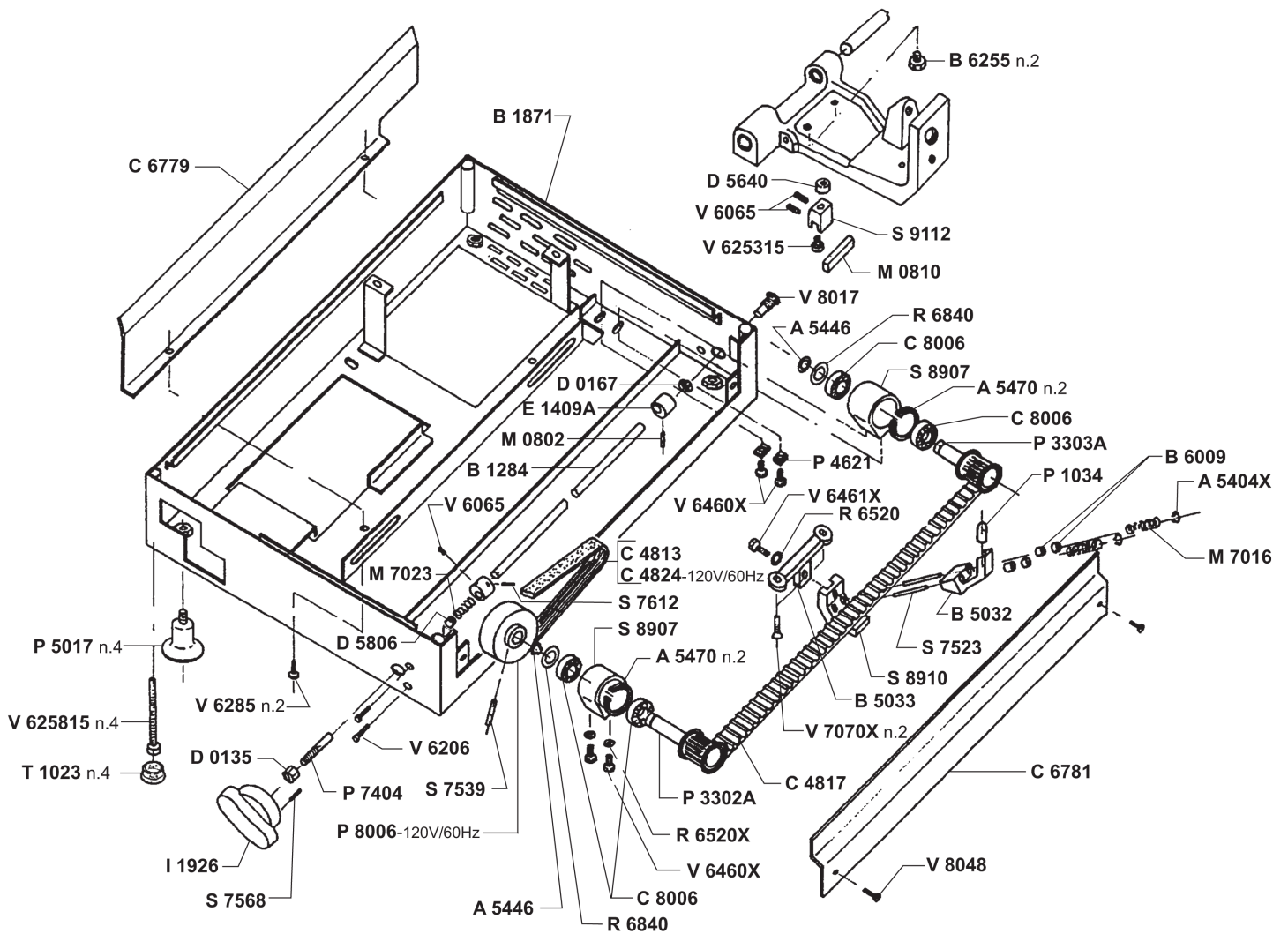


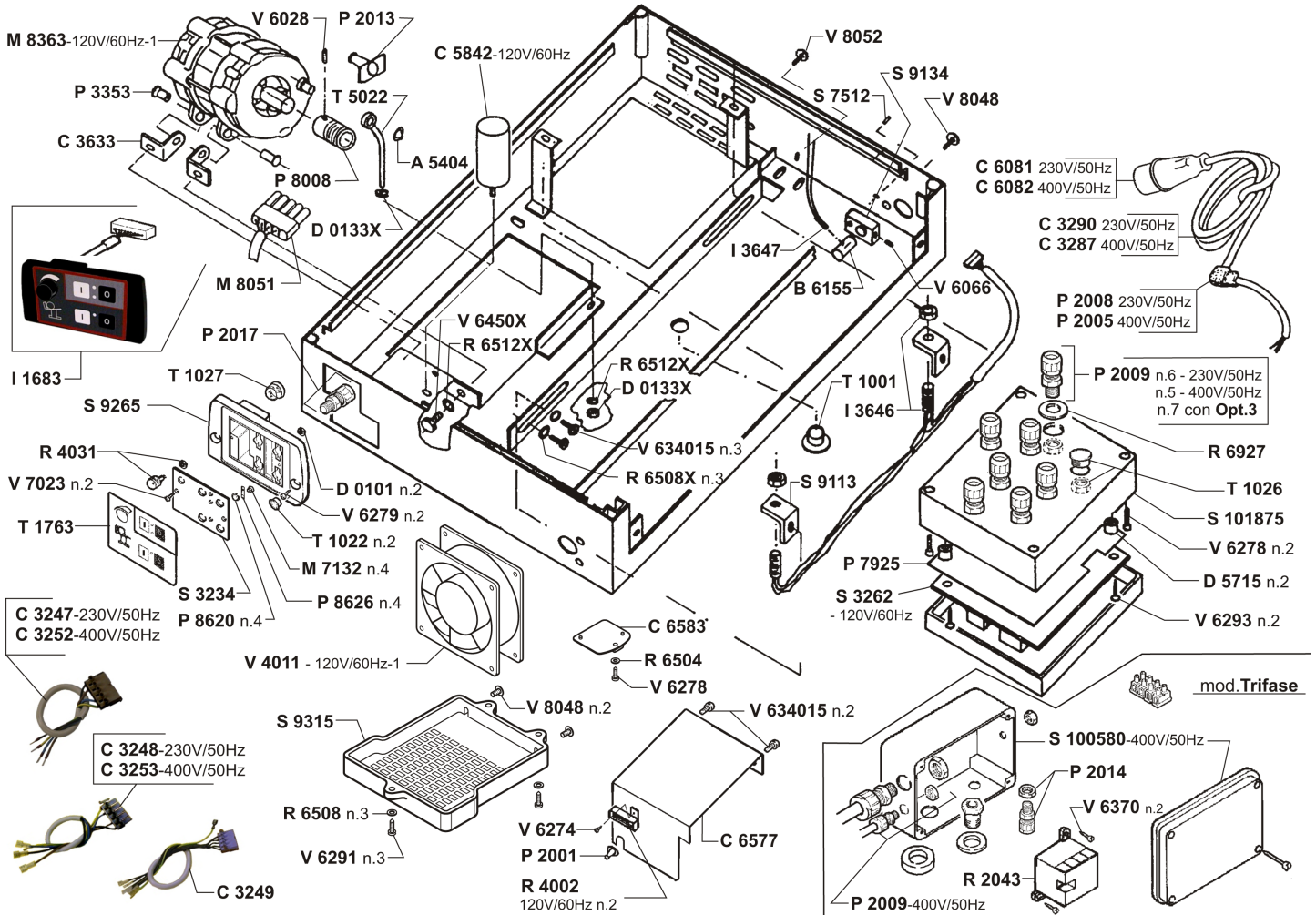
# Parts Breakdown

Model MS-IT-0330-A 13645



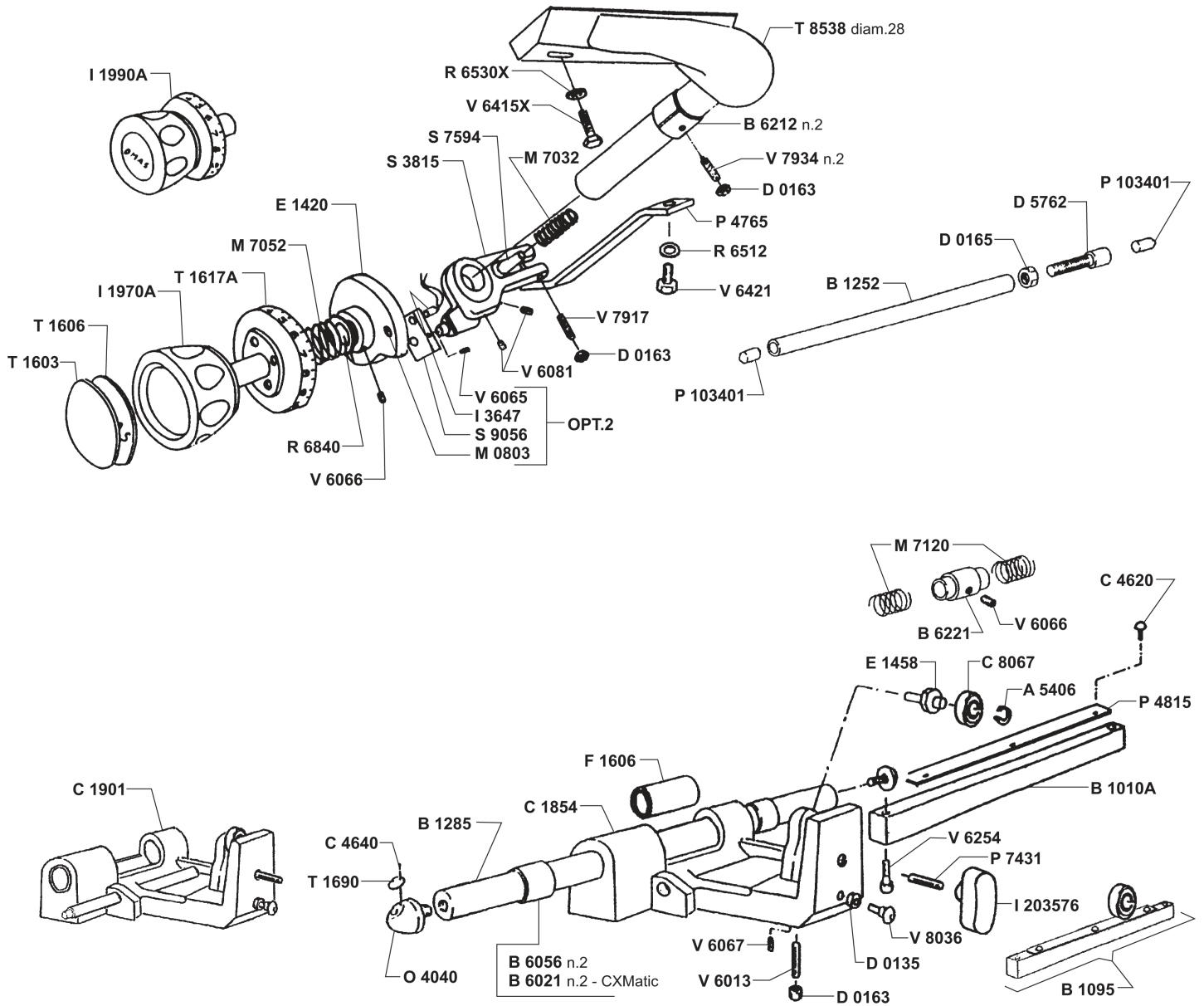
# Parts Breakdown

## Model MS-IT-0330-A 13645



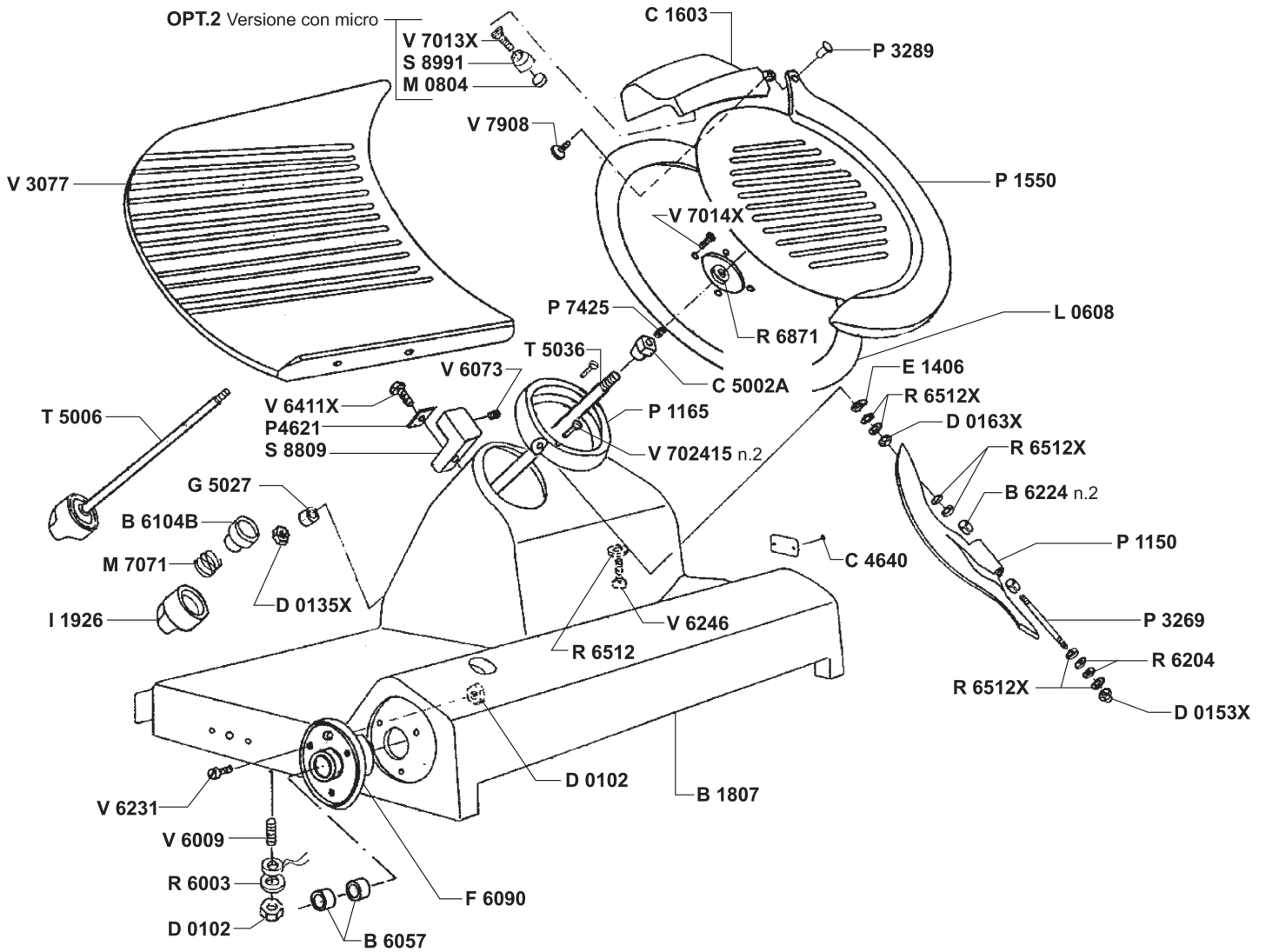
# Parts Breakdown

Model MS-IT-0330-A 13645



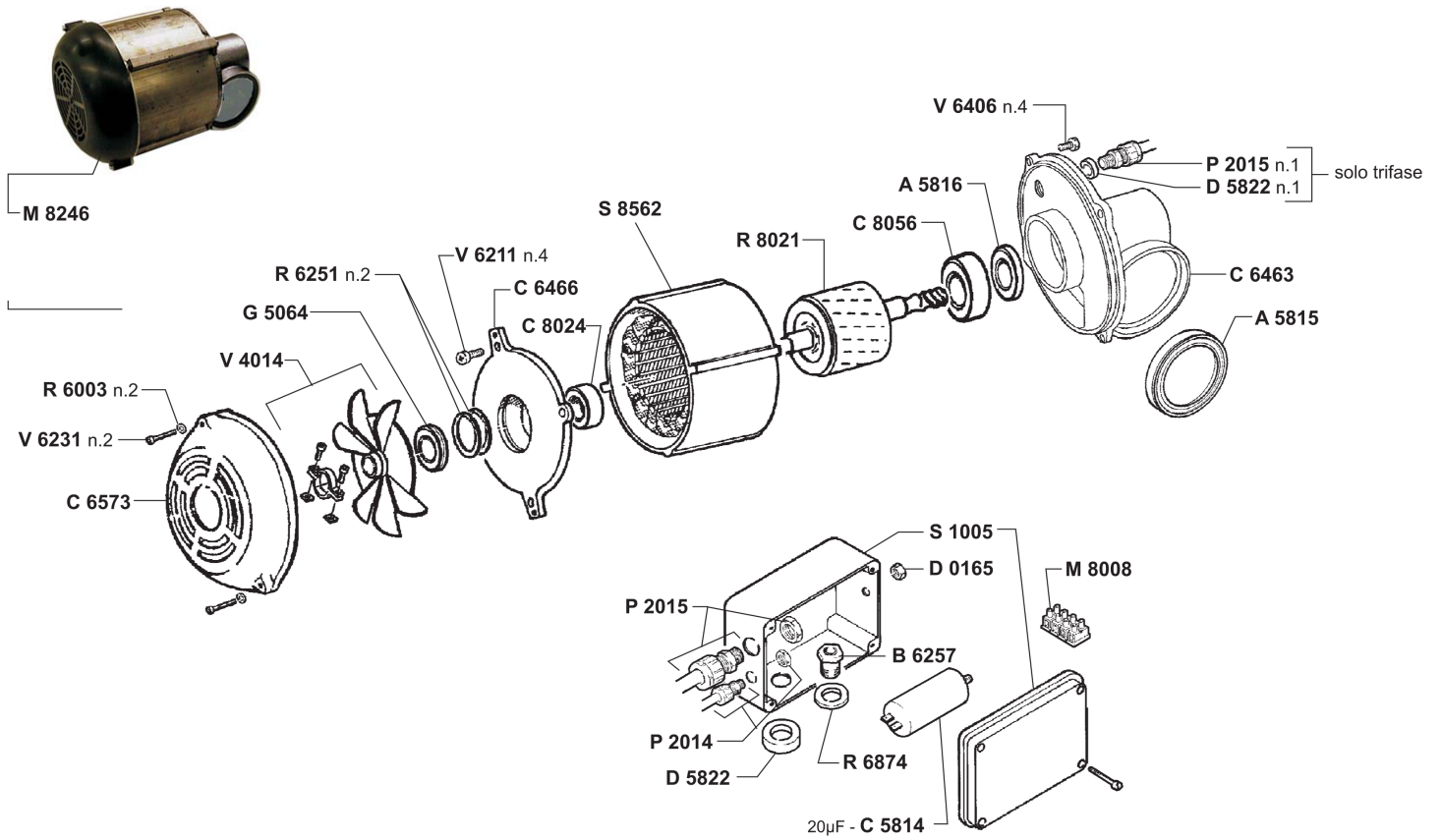
# Parts Breakdown

Model MS-IT-0330-A 13645



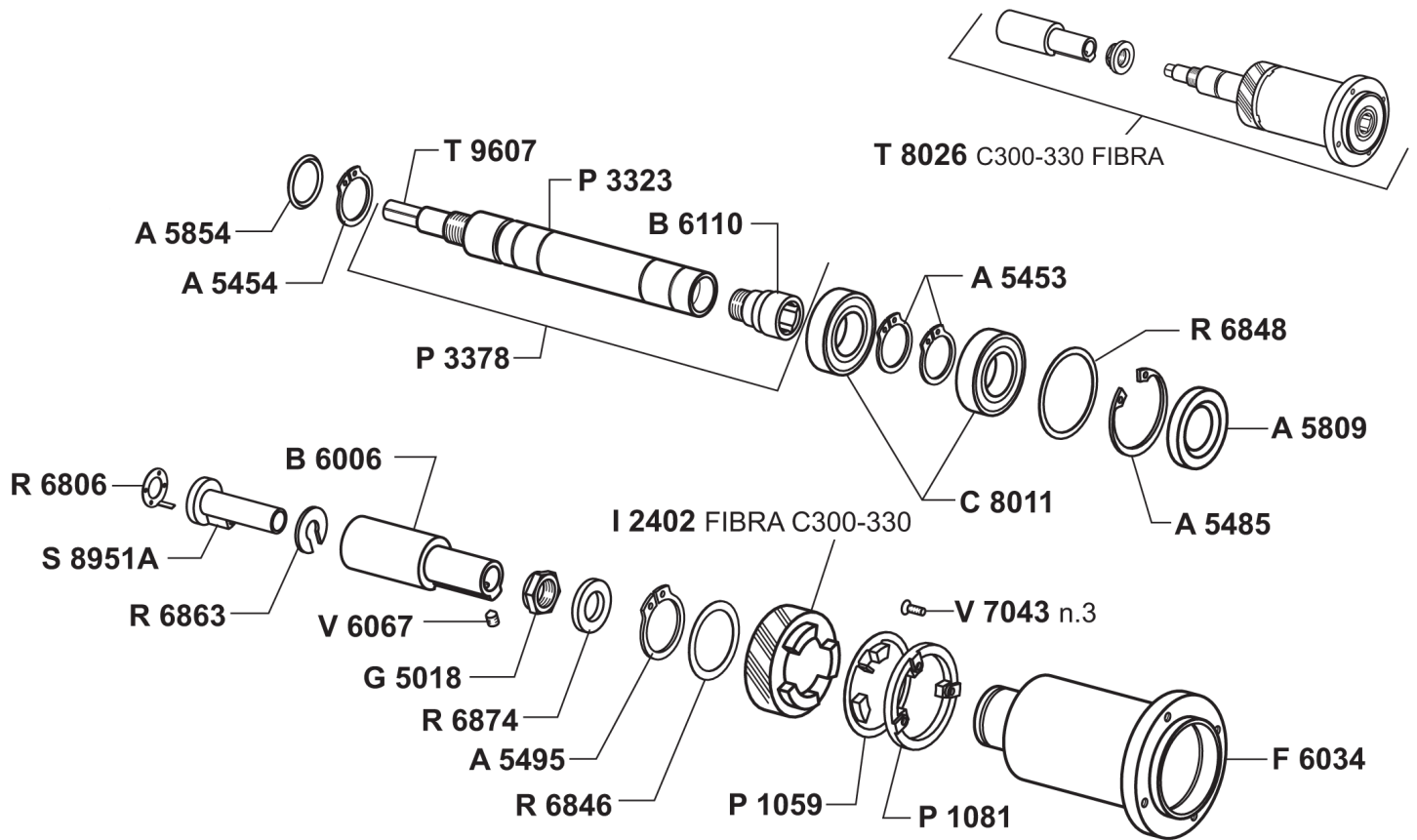
# Parts Breakdown

Model MS-IT-0330-A 13645



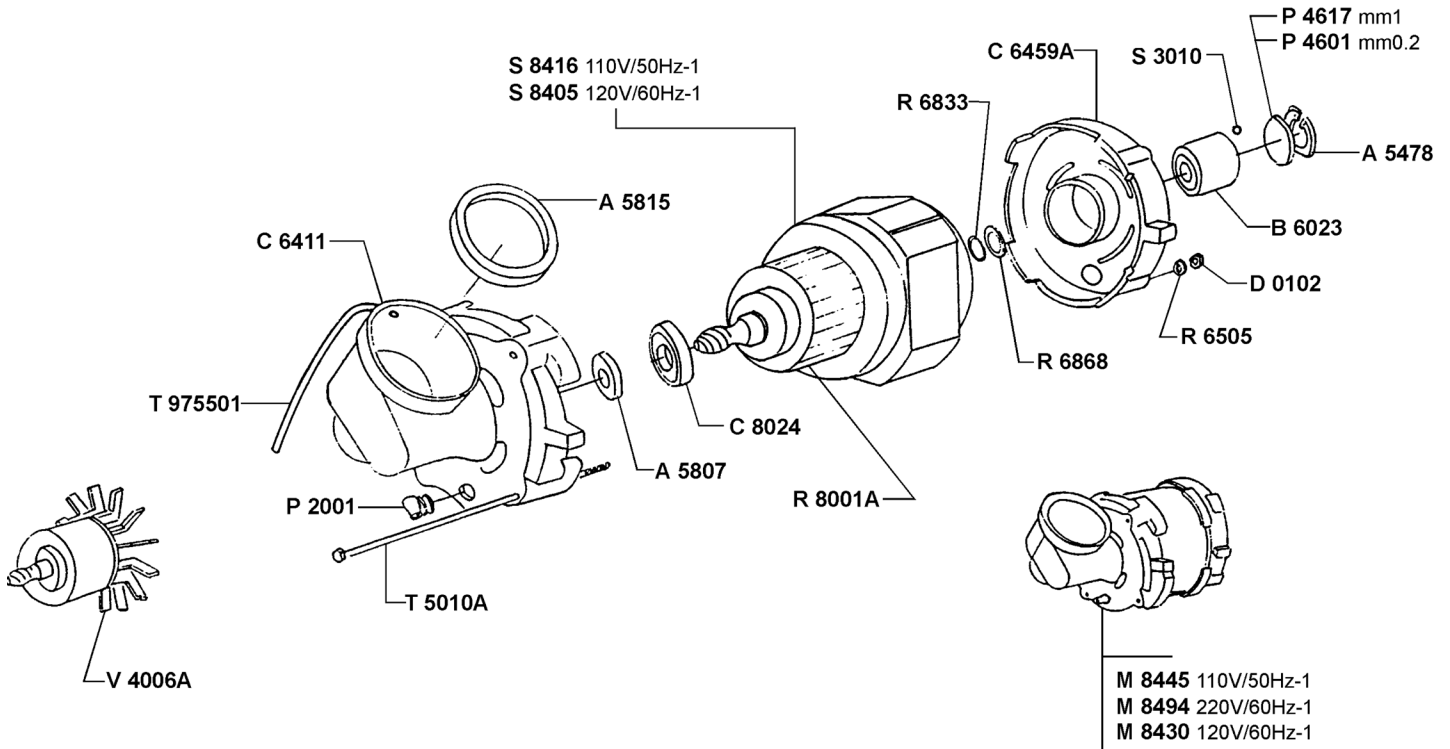
# Parts Breakdown

Model MS-IT-0330-A 13645



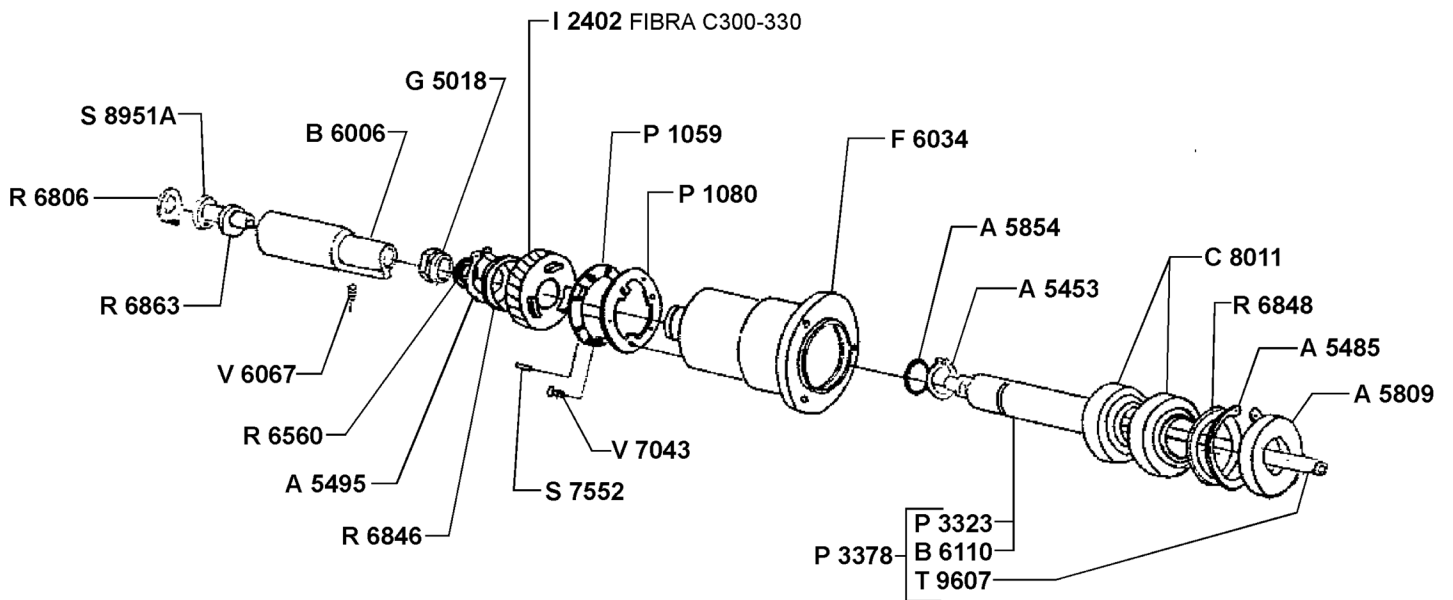
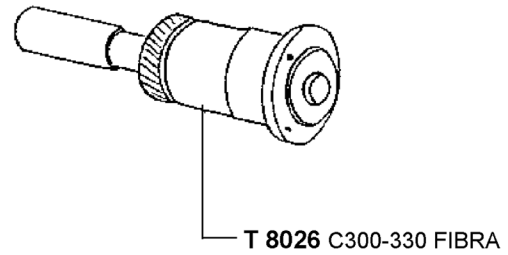
# Parts Breakdown

Model MS-IT-0330-A 13645



# Parts Breakdown

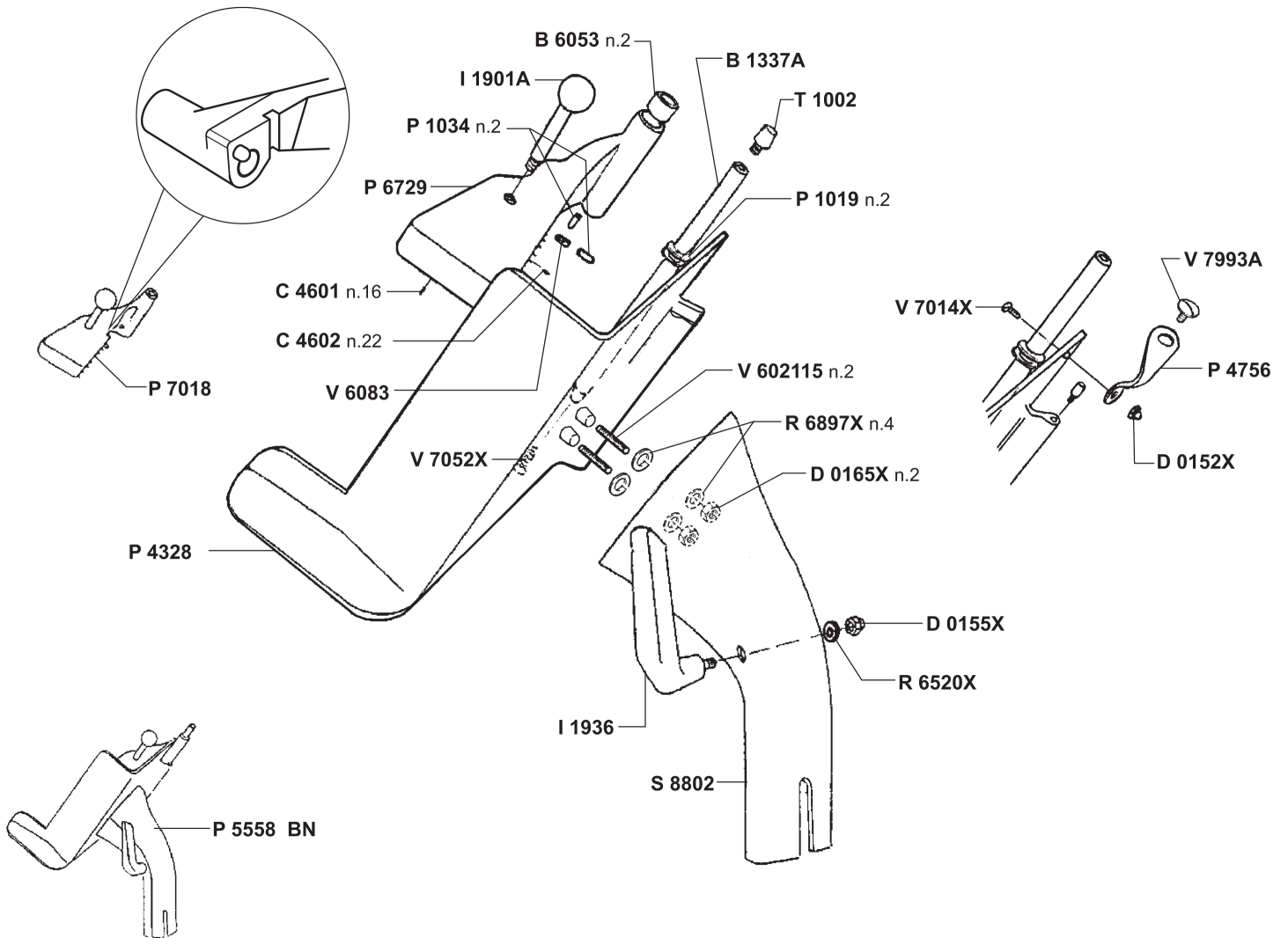
Model MS-IT-0330-A 13645





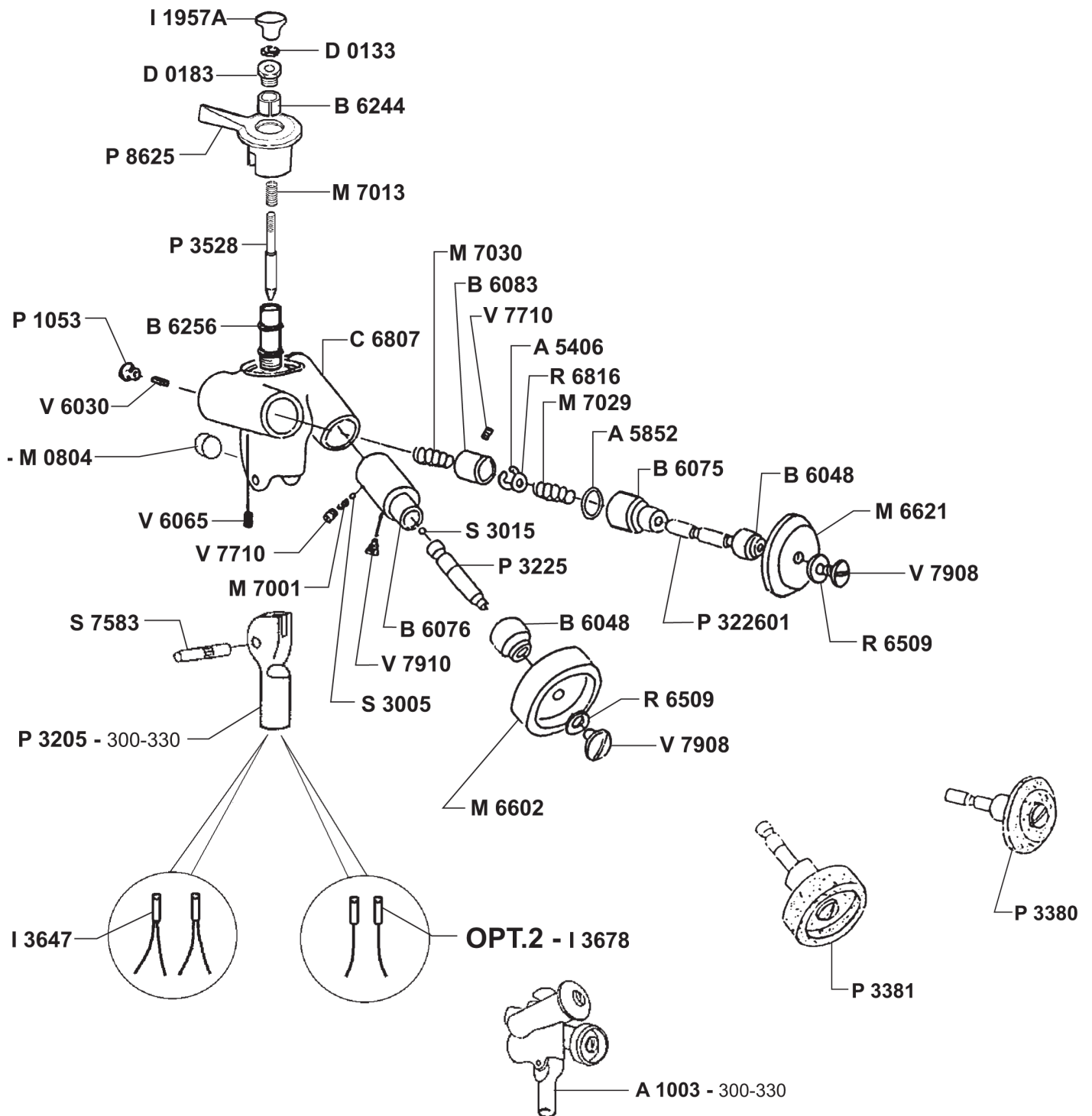
# Parts Breakdown

Model **MS-IT-0330-A** 13645



# Parts Breakdown

Model MS-IT-0330-A 13645



# Parts Breakdown

## Model MS-IT-0330-A 13645

Item No.	Description	Position	Item No.	Description	Position	Item No.	Description	Position
17272	Sharpening Assembly (Support and Stones) for 13645	A1003	17307	Bushing Sharpener for 13645	B6083	36615	Back Motor Cover for 13645	C6466
17280	Ring EL.Benzing 5 for 13645	A5404	19630	Bushing Fastener for 13645	B6104B	36617	Motor Fan Cover for 13645	C6573
36536	Stainless Steel Ring EL. Benzing 6 for 13645	A5404X	78265	Bushing, Funnel for 13645	B6110	36618	Motor Cover for 13645	C6577
16902	Ring EL.Benzing 8 for 13645	A5406	19631	Bushing for 13645	B6155	36619	Belt Cover for 13645	C6583
19606	Ring 17 for 13645	A5446	18648	Bushing for 13645	B6212	78291	Body Rear Cover for 13645	C6779
17281	Ring EL.Seeger Ext.25 for 13645	A5453	36566	Bushing To Hold Carriage Springs for 13645	B6221	36624	Carriage Side Cover for 13645	C6781
77585	Ring EL.Seeger EST.25 Ser.Heavy for 13645	A5454	36568	DU Bushing 6x8x6 for 13645	B6224	19534	Housing Sharpener for 13645	C6807
36541	Ring EL.Seeger Int.35 for 13645	A5470	24030	Sharpener Operating Handle for 13645	B6244	36629	Bearing 2Z-6003 17x35x10 for 13645	C8006
78251	Ring EL.Seeger Int 45 for 13645	A5478	36572	Locking Bushing for 13645	B6255	17334	Bearing 2Z-6205 25x52x15 for 13645	C8011
19484	Ring 52 for 13645	A5485	23646	Sharpener Pivot Ferrule for 13645	B6256	16925	Bearing 2RS-6204 20x47x14 for 13645	C8024
19612	Ring 33 for 13645	A5495	36573	Fixing Box Bushing for 13645	B6257	36631	Bearing 2RS-6205 25x52x15 for 13645	C8056
17282	Oil Seal 20x42x7 for 13645	A5807	16909	Sharpener Cover for 13645	C1603	16926	Bearing 2RS-6000 (10x26x8) for 13645	C8067
17283	Oil Seal 25x52x10 for 13645	A5809	36590	AG35-C-H Carriage for 13645	C1854	19637	Nut M3 for 13645	D0101
17285	Oil Seal 60x75x8 for 13645	A5815	19527	Carriage Assembly for 13645	C1901	19638	Nut M4 for 13645	D0102
19493	Oil Seal 25x47x07 for 13645	A5816	78277	Control Board Cable 230/50 for 13645	C3247	16928	Nut U5589 M6 for 13645	D0133
17287	O-Ring 123 17.86x2.62 for 13645	A5852	78279	Control Board Cable 230/50 for 13645	C3248	36636	Stainless Steel Nut U5589 M6 for 13645	D0133X
17288	O-Ring 3081 20.24x2.62 for 13645	A5854	36595	Assembly Carriage Motor Wiring for 13645	C3249	19639	Nut M8 for 13645	D0135
17290	Carriage Rod for 13645	B1010A	78278	Control Board Cable 400/50 for 13645	C3252	36637	Stainless Steel Nut U5589 M8 for 13645	D0135X
19496	Carriage Rod C-H for 13645	B1095	78280	Control Board Cable 400/50 for 13645	C3253	36639	Stainless Steel Nut U5721 M5 for 13645	D0152X
36549	Shock Absorber Rod 12x185 for 13645	B1252	78288	Power Cord 400/50 for 13645	C3287	36640	Stainless Steel Domed Nut U5721 M6 for 13645	D0153X
19499	Carriage Rod for 13645	B1284	78287	Power Cord 230/50 for 13645	C3290	19642	Nut M8 for 13645	D0155X
36552	Carriage Rod for 13645	B1285	19633	Hinge Motor VS for 13645	C3633	19644	Nut M6 for 13645	D0163
19501	Meat Grip Rod for 13645	B1337A	17316	Pin 8.5mm for 13645	C4601	36646	Stainless Steel Nut U5588 M6 for 13645	D0163X
78270	Body for 13645	B1807	17317	Pin.11 for 13645	C4602	36647	Nut U5588 M8 for 13645	D0165
78292	Body Housing for 13645	B1871	20423	Pin for 13645	C4620	36648	Nut U5588 M8 for 13645	D0165X
36555	Belt Bracket for 13645	B5032	36601	Rivet 1.9x5 for 13645	C4640	19645	Nut M10 for 13645	D0167
19510	Hangover Bracket for 13645	B5033	36602	Driving Belt 330x10 for 13645	C4813	36651	Sharpener Support Nut for 13645	D0183
17298	Bushing Fastener C for 13645	B6006	36604	Belt D.420 L.100 for 13645	C4817	36656	Motor Spacer H/L370 for 13645	D5640
19618	Bushing 8x10x8 for 13645	B6009	36605	Belt V.360x10 for 13645	C4824	36658	EL.Box Spacer for 13645	D5715
36557	Bushing DU 25x28x30 for 13645	B6021	36606	Bolt for 13645	C5002A	36661	Carriage Shock Absorber Spacer for 13645	D5762
78252	Bushing 17x45 for 13645	B6023	36609	Capacitor 20 µF 250V for 13645	C5814	36671	Unhook Spring Spacer for 13645	D5806
16904	Bushing Sharpener for 13645	B6048	36610	Capacitor 50 MF 250V for 13645	C5842	36673	Box Spacer for 13645	D5822
16905	Bushing DU 16x18x15 for 13645	B6053	77609	Connettore Spina Monofase 2x16A CEE for 13645	C6081	30459	Stop Cam for 13645	E1406
17304	Bushing for 13645	B6056	78286	Three-Phase Connector 3x16A for 13645	C6082	36675	Cam Carriage for 13645	E1409A
17305	Bushing DU 18x20x15 for 13645	B6057	78240	Front Motor Cover for 13645	C6411	17342	Cam 15mm for 13645	E1420
16906	Bush Sharpening for 13645	B6075	78247	Back Motor Cover for 13645	C6459A	17345	Cam Bearing for 13645	E1458
16907	Bush Sharpening for 13645	B6076	78266	Front Motor Cover for 13645	C6463	17348	Flange Knife C for 13645	F6034

# Parts Breakdown

## Model MS-IT-0330-A 13645

Item No.	Description	Position	Item No.	Description	Position	Item No.	Description	Position
17349	Handle Flange for 13645	F6090	36754	Terminal Block AL17/1W for 13645	M8051	23645	Sharpener Pivot for 13645	P3528
17351	Locknut for 13645	G5018	20263	Motor 120V/60Hz/1Ph for 13645	M8246	26126	Table C Model for 13645	P4328
36689	Stainless Steel Locknut M8 for 13645	G5027	36757	Motor 120/60 for 13645	M8363	78250	Motor Bushing Flat Bar for 13645	P4601
36697	Logging Lock Nut for 13645	G5064	78255	Motor 120/60/1 for 13645	M8494	78249	Motor Bushing Flat Bar for 13645	P4617
16930	Handle C for 13645	I1901A	19791	Oiler Oil Cap with Screw for 13645	O4040	19831	Gauge Plate Flat Bar VS for 13645	P4621
17356	Fastener Handle for 13645	I1926	17390	Rubber Shock Absorber 16x22x2.5 for 13645	P1019	16964	Stud Guard Knife C for 13645	P7425
16932	Handle Carriage C for 13645	I1936	17392	PL.Shock Absorb 8.5x20 for 13645	P1034	16960	Support Plate for C Series Plate for 13645	P4756
19587	Sharpener Knob for 13645	I1957A	36761	Shock Absorber for 13645	P103401	36830	Flat Bar C for 13645	P4765
36705	Adjustment Knob for 13645	I1970A	36762	Rubber Plug for 13645	P1053	18221	Slide Rail Flat 20x400 for 13645	P4815
36708	Assembly Index Knob for 13645	I1990A	16955	Shock Absorber for 13645	P1059	17437	Foot for 13645	P5017
18220	Handle Carriage for 13645	I203576	17394	Shock Absorber for 13645	P1080	36843	Carriage Plate Assembly for 13645	P5558
62453	Nylon Gear for 13645	I2402	17395	Shock Absorber for 13645	P1081	78235	End Grip for 13645	P6729
17368	Hall Effect Switch 2P for 13645	I3646	19805	Deflector for 13645	P1150	17443	End Grip for 13645	P7018
17369	Switch 4x20 for 13645	I3647	27888	Ring Deflector for 13645	P1165	36851	Stud Handle for 13645	P7404
36723	Switch 4x25 for 13645	I3678	17412	Knife Guard for 13645	P1550	17444	Stud Carriage for 13645	P7431
17353	Complete Start/Stop Switch with Control Board for 13645	I1683	36774	Strain Relief for 13645	P2001	36855	PBC Insulating Protection for 13645	P7925
13598	Blade 330 57x4x270 for 13645	L0608	36775	Core Hitch Big for 13645	P2005	36858	Reduction Pulley for 13645	P8006
36732	Magnet 6x20 for 13645	M0802	17415	Strain Relief for 13645	P2008	36859	Motor Pulley for 13645	P8008
36733	Magnet 8x10 for 13645	M0803	77617	Strain Relief for 13645	P2009	78282	Lock Washer for 13645	P8620
36734	Magnet 12x6 for 13645	M0804	36777	Strain Relief Motor Cover for 13645	P2013	24030	Sharpener Operating Handle for 13645	P8625
36752	Terminal Block 1 for 13645	M8008	36778	Wire-Press for 13645	P2014	78284	Bracket for 13645	P8626
36735	Magnet 10x12x48 for 13645	M0810	36779	Core-Hitch + Nut for 13645	P2015	78290	Relay in Junction Box for 13645	R2043
14787	Grinding Sharpening Stone 48x15x14.3 for 13645	M6602	36780	Wire Pusher for 13645	P2017	36873	Resistor 50W 22 OHM for 13645	R4002
21644	F Stone 51x7x14.3 for 13645	M6621	19811	Pin Sharpener for 13645	P3205	19656	Potentiometer for 13645	R4031
36741	Stainless Steel Spring 2.9x4x12 for 13645	M7001	16959	Pin Grinding for 13645	P3225	19657	Washer 4 for 13645	R6003
17377	Stainless Steel Spring 8.5x1.0x25 for 13645	M7013	17419	Pin Truing for 13645	P322601	17454	Washer for 13645	R6204
36743	Stainless Steel Spring 9.9x0.7x7 for 13645	M7016	17422	Pin Deflector for 13645	P3269	78258	Washer 30.5x46.5x0.6 for 13645	R6251
36744	Stainless Steel Spring 10.5x1x19 for 13645	M7023	17423	Pivot Hinged Support 10x22 (Pin Grinding, CE-Version Long) for 13645	P3289	36880	Washer U6592 3 for 13645	R6504
17379	Spring 11.9x0.7x27 Stainless Steel for 13645	M7029	36786	Front Pulley Pin for 13645	P3302A	17455	Washer U6592 4 for 13645	R6505
17380	Spring 13.4x1.3x30 Stainless Steel for 13645	M7030	36787	Pin Rear Pulley for 13645	P3303A	17456	Washer U6592 5 for 13645	R6508
19776	Spring 14x1.5x60 for 13645	M7032	78237	Knife Shaft for 13645	P3323	36882	Stainless Steel Washer U6592 for 13645	R6508X
17381	Spring 22 5x1 8x18 for 13645	M7052	36789	Pin Support Motor for 13645	P3353	20422	Washer for 13645	R6509
19250	Spring 24.8x1.8x15 for 13645	M7071	23649	Knife Shaft Model C for 13645	P3378	16967	Washer U65926 for 13645	R6512
19248	Spring 15.6x20x2.2 for 13645	M7120	17427	Assy Grinding Stone & Pin for 13645	P3380	17457	Stainless Steel Washer U6592 6 for 13645	R6512X
78283	Screw for 13645	M7132	17427	Assy Grinding Stone & Pin for 13645	P3381	16968	Washer U65928 for 13645	R6520

# Parts Breakdown

## Model MS-IT-0330-A 13645

Item No.	Description	Position	Item No.	Description	Position	Item No.	Description	Position
36884	Stainless Steel Washer U6592 8 for 13645	R6520X	78244	Stator 110V/50Hz/1 for 13645	S8416	78241	Fan Motor for 13645	V4006A
36885	Stainless Steel Washer U6592 10 for 13645	R6530X	19870	Stator 120/60 for 13645	S8562	19911	Fan for 13645	V4011
36886	Washer U6592 16 for 13645	R6560	36934	Tray Bracket for 13645	S8802	37013	Motor Fan MEC80 148x16 for 13645	V4014
17458	Contact Washer for 13645	R6806	19871	Bracket Sharpener for 13645	S8809	37017	Screw STTC U6113 M4x30 for 13645	V6009
36889	Washer 10.5x16x1 for 13645	R6816	36945	Carriage Pulley Bracket for 13645	S8907	17492	Screw STTC U6113 M6x40 for 13645	V6013
16969	Washer 18.2x25x0.5 for 13645	R6840	36946	Bracket for 13645	S8910	26127	Stud C Model for 13645	V602115
17460	Washer 34.2x46x0.5 for 13645	R6846	78236	Bracket Washer C for 13645	S8951A	37020	Screw M5x8 U5923 for 13645	V6028
19674	Washer for 13645	R6848	36952	Magnet Support for 13645	S8991	37021	Screw for 13645	V6030
19675	Washer C for 13645	R6863	36959	Bracket Magnet for 13645	S9112	37023	Screw STEI U5929 M5x5 for 13645	V6065
17461	Washer 17x30 for 13645	R6868	36960	Switch Bracket for 13645	S9113	19691	Grub Screw M6x6 for 13645	V6066
36891	Stainless Steel Washer 10.5x26x0.5 for 13645	R6871	36961	Bracket for 13645	S9134	19692	Screw M6x8 for 13645	V6067
36892	Washer 17x30x4 for 13645	R6874	17353	Complete Start/Stop Switch with Control Board for 13645	S9265	37030	Screw M12x16 U5927 for 13645	V6081
36893	Stainless Steel Special Washer 8.5x24x2 for 13645	R6897X	78285	Fan Support for 13645	S9315	37031	Screw STEI U5929 M8x16 for 13645	V6083
36896	Syicon Washer 17x25x1 for 13645	R6927	19877	Rubber Cap for 13645	T1001	37033	Screw TC U6107 M4x8 for 13645	V6206
78248	Rotor for 13645	R8001A	19878	Rubber Cap for 13645	T1002	19697	Screw M5x16 for 13645	V6211
78261	Rotor Stator H.50 for 13645	R8021	36982	Heyco Cap SP-468 Diam. 12 for 13645	T1022	19699	Screw M4x25 for 13645	V6231
36899	Electric Box 120x80x50 for 13645	S1005	36983	Rubber Cap Diam. 13.5 for 13645	T1023	19702	Screw M6x25 for 13645	V6246
78289	Junction Box Cover for 13645	S100580	36984	Tappo PG11-BM9548 for 13645	T1026	37041	Stainless Steel Screw M8x20 for 13645	V625315
36901	Plastic Box-Housing for 13645	S101875	78273	Rubber Cap Diam. 16 for 13645	T1027	37042	Screw TCEI U5931 M8x25 for 13645	V6254
19680	Ball 3 17 for 13645	S3005	19879	Label for 13645	T1603	37044	Stainless Steel Screw M8x60 U5931 for 13645	V625815
19681	Sphere 4 for 13645	S3010	19880	Label for 13645	T1606	37046	Screw TC AUT.D7971 2.9x6.5 for 13645	V6274
17465	Ball 4.76 for 13645	S3015	36985	Label Plate for 13645	T1617A	19706	Screw for 13645	V6278
17353	Complete Start/Stop Switch with Control Board for 13645	S3234	19883	Label Oil for 13645	T1690	37048	Screw TCTC AUDT.D7981 3.5x9.5 for 13645	V6279
19178	Printed Circuit Board (120V/60Hz) for 13645	S3262	17353	Complete Start/Stop Switch with Control Board for 13645	T1763	37050	Screw TC AUT.D7971 4.2x9 for 13645	V6285
36908	Track C-CD for 13645	S3815	16978	Blade Cover Fastener Assembly C for 13645	T5006	37052	Screw TC AUT.U6951 4.2x16 for 13645	V6291
36914	Stainless Steel Pin 3x12 for 13645	S7512	78243	Motor Fastener for 13645	T5010A	37053	Screw AUT.U6954 3.9x25 for 13645	V6293
19682	Pin 8x70 for 13645	S7523	36992	Belt Fastener 9 for 13645	T5022	37055	Stainless Steel Screw M5x8 U5931 for 13645	V634015
36922	Pin M.E.U6875 5x36 for 13645	S7539	17486	Fastener Handle with Blade Cover Fastener for 13645	T5036	37058	Stainless Steel Screw M4x8 for 13645	V6370
19688	Pin 2x12 for 13645	S7552	16983	Knife Shaft Assembly for 13645	T8026	78262	Screw U55739 M5x16 for 13645	V6406
36927	Pin M.I.S1 D1471 6x20 for 13645	S7568	36999	Riding Pin (diam.28) for 13645	T8538	37061	Screw TE U5739 M8x35 Inox for 13645	V6411X
17475	Pin 8x42 for 13645	S7583	78239	Knife Shaft for 13645	T9607	37064	Screw TE U5739 M10x35 for 13645	V6415X
19867	Pin D10 M6 L26 for 13645	S7594	78263	Plastic Bar L=260 for 13645	T9607	37066	Screw TE U5737 M6x15 for 13645	V6421
36930	Pin M.E.U6873 3x22 for 13645	S7612	78242	Oil Line for 13645	T975501	37071	Stainless Steel Screw TE U5739 M6x10 for 13645	V6450X
17479	Stator H-C-GF for 13645	S8405	78268	Gauge Plate for 13645	V3077	37072	Stainless Steel Screw TE U5739 M8x20 for 13645	V6460X

# Parts Breakdown

## Model MS-IT-0330-A 13645

Item No.	Description	Position	Item No.	Description	Position	Item No.	Description	Position
37073	Stainless Steel Screw TE U5739 M8x25 for 13645	V6461X	37084	Screw TSPEI U5933 M10x30 Stainless for 13645	V7052X	19720	Screw M6 for 13645	V7934
37078	Stainless Steel Screw TSP U6109 M5x12 for 13645	V7013X	37086	Stainless Steel Screw M8x20 U5933 for 13645	V7070X	37095	Screw for Rod 6x13 for 13645	V7993A
17497	Stainless Steel Screw TSP U6109 M5x15 for 13645	V7014X	19713	Screw Sharpener for 13645	V7710	37100	Carriage Screw for 13645	V8017
78275	Screw TSPU6109 M3x6 for 13645	V7023	17503	Screw M5x13 for 13645	V7908	19920	Screw M8x30 for 13645	V8036
37080	Stainless Steel Screw U6109 M4x40 for 13645	V702415	19715	Screw Sharpener for 13645	V7910	37106	Stainless Steel Switch Screw M5x10 for 13645	V8048
17498	Screw TSPEI U5933 M4x10 for 13645	V7043	19717	Screw M6x50 for 13645	V7917	37107	Stainless Steel Screw M6x30 for 13645	V8052