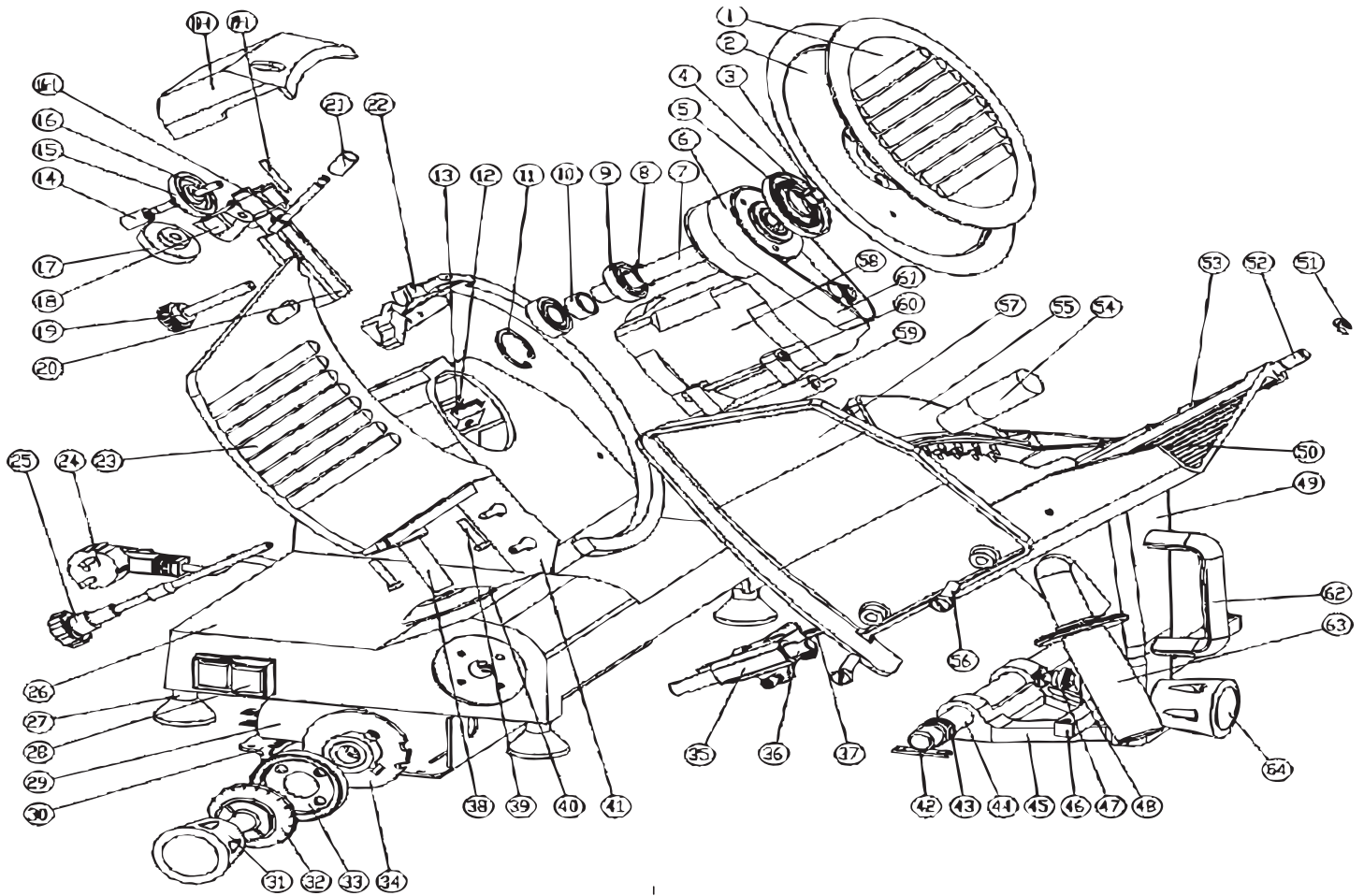


Parts Breakdown

Model MS-CN-0300 19068





Parts Breakdown

Model MS-CN-0300 19068

Item No.	Description	Position	Item No.	Description	Position	Item No.	Description	Position
20750	Protection Plate for 19068	1	20609	Sharpening Controller for 19068	21	20767	Spring for 19068	43
20749	Knife for 19068	2	20800	Protection Circle for 19068	22	20766	Circle Orbit for 19068	44
20562	Screw for 19068	3	20787	Lockring Plate for 19068	23	20765	Sliding Core for 19068	45
AD413	Sealing Ring for Blade Shaft for 19068	4	20606	Wire for 19068	24	20761	Square Orbit for 19068	46
AD407	Sealing Ring for Blade Spindle for 19068	5	24147	Pull Pole with Black Knob for 19068	25	20764	Bearing of Spindle for 19068	47
20747	Sleeve of Knife for 19068	6	20786	Body for 19068	26	20763	Spindle for 19068	48
20746	Spindle of Knife for 19068	7	20661	Foot for 19068	27	20760	Sliding Stand for 19068	49
20555	Blocking Ring for 19068	8	27549	On/Off Switch 5 Pins 120VAC for 19068	28	20757	Carriage for 19068	50
20742	Bearing for 19068	9	20782	Capacitor for 19068	29	AD410	Circlip for 19068	51
20557	Isolating Sleeve for 19068	10	20783	Bottom Plate for 19068	30	20755	Sliding Pole for 19068	52
AD408	Blocking Ring for Hole for 19068	11	20776	Adjusting Handle Bar for 19068	31	AD411	Bearing for Pole of Carriage for 19068	53
20616	Microswitch for 19068	12	20653	Digital Plate for 19068	32	20634	Handbar of Pressing for 19068	54
AD409	Bracket for Microswitch for 19068	13	20592	Digital Ring for 19068	33	20756	Pressing Handle for 19068	55
20609	Sharpening Controller for 19068	14	20774	Cams for 19068	34	20583	Screw for Plastic Board for 19068	56
20610	Sharpening Wheel Black for 19068	15	20772	Sliding Holder for 19068	35	20759	Plastic Protection for 19068	57
20607	Spindle of Wheel for 19068	16	20770	Spindle for 19068	36	20752	Motor for 19068	58
20612	Spindle of Wheel for 19068	16-1	20585	Bolt for 19068	37	20754	Board of Motor for 19068	59
20613	Sharpening Wheel Green for 19068	17	20781	Stand of Locking Plate for 19068	38	20567	Hinge Spindle for 19068	60
20611	Stand of Wheel for 19068	18	20594	Screw for 19068	39	20751	Belt for 19068	61
20608	Cover of Wheel for 19068	18-1	20593	Waterproof Gasket for 19068	40	41686	U Type Handle for 19068	62
20605	Screw for 19068	19	20789	Scraping Board for 19068	41	20762	Holder Handlebar for 19068	64
20604	Stand of Sharpener for 19068	20	20582	Screw for 19068	42	25199	Complete Sharpening Assembly for 19068	