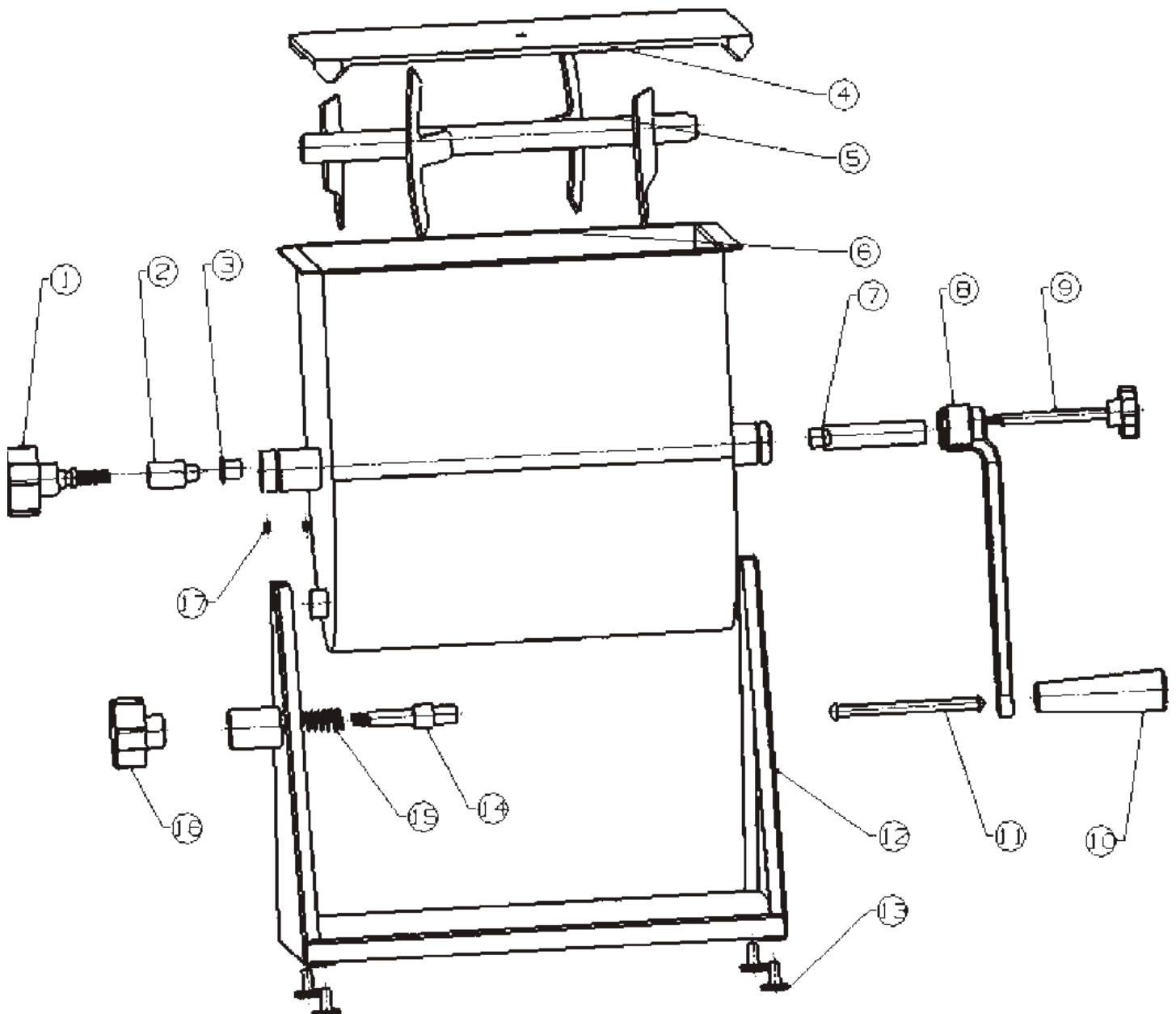


Parts Breakdown

Item 19202



Parts Breakdown

Item 19202

Item No.	Description	Position	Item No.	Description	Position	Item No.	Description	Position
31239	Paddle Knob for 19202	1	21152	Gear Axle for 19202	7	31243	Rubber Feet for 19202	13
31240	Gear Axle for 19202	2	21155	Crank for 19202	8	21149	Axle for 19202	14
21147	Gear Sleeve for 19202	3	21153	Handle Knob for 19202	9	21148	Spring for 19202	15
21151	Tank Cover for 19202	4	31241	Handle Set for 19202	10	31244	Bolt for Non-Rotating Operation for 19202	16
21150	Axle with Paddle for 19202	5	21156	Pin Shaft for 19202	11	21154	Bolt for 19202	17
21146	Tank Cover for 19202	6	31242	Stand for 19202	12			