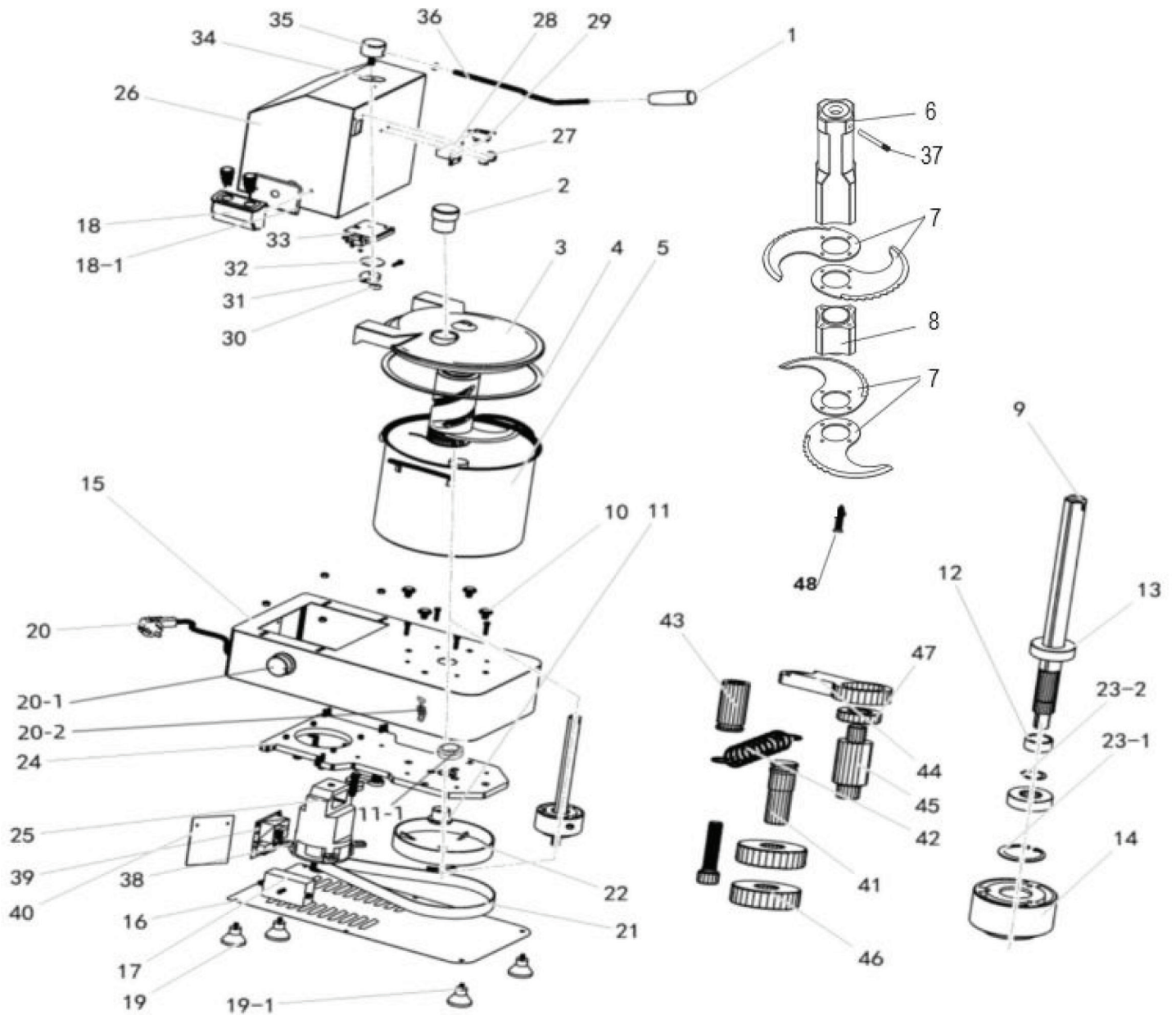


Parts Breakdown

Model **FP-CN-0009** 23546



Parts Breakdown

Model FP-CN-0009 23546

Item No.	Description	Position	Item No.	Description	Position	Item No.	Description	Position
70336	Handle for 23546	1	70354	Rubber Feet for 23546	19	70371	Handle Seat for 23546	35
70337	Chuck Plug for 23546	2	70355	Power Cable for 23546	20	70372	Compression Bar for 23546	36
70338	PC Cover for 23546	3	70356	Belt for 23546	21	70373	Dowel for 23546	37
70339	Water Proof Gasket for 23546	4	70357	Big Belt Pulley for 23546	22	AK820	Motor Holder for 23546	38
70340	Container for 23546	5	70360	Main Board for 23546	24	AK821	Circuit Board for 23546	39
70341	Up Tool Apron for 23546	6	AK819	Motor for 23546	25	70376	Installation Board for 23546	40
70342	Rotate Knives for 23546	7	70362	Welding for 23546	26	70377	Tension Wheel Shaft for 23546	41
70343	Down Tool Apron for 23546	8	70363	Limited Block for 23546	27	70378	Tension Spring for 23546	42
70345	Rubber Gasket for 23546	10	70364	Front Switch Holder for 23546	28	70379	Small Shaft for 23546	43
41142	Locating Sleeve for 23546	11	70365	Sure Model Switch for 23546	29	70380	Tension Wheel Arm for 23546	44
70349	Base Seat Component for 23546	15	70366	Big Nut for 23546	30	70381	Wheel Shaft 2 for 23546	45
70350	Base Board for 23546	16	70367	Cam for 23546	31	70382	Bearing 6200 for 23546	46
70351	Knob/Potentiometer for 23546	17	70368	Big Gasket for 23546	32	70383	Bearing 6800 for 23546	47
70352	Switch Box Seal Bar for 23546	18	70369	Up Switch Holder for 23546	33	AI419	Screw for Knife for 23546	48
70353	Gasket for Electric Box for 23546	18-1	70370	Nylon Gasket for 23546	34	AP105	Blade Assembly for 23546	