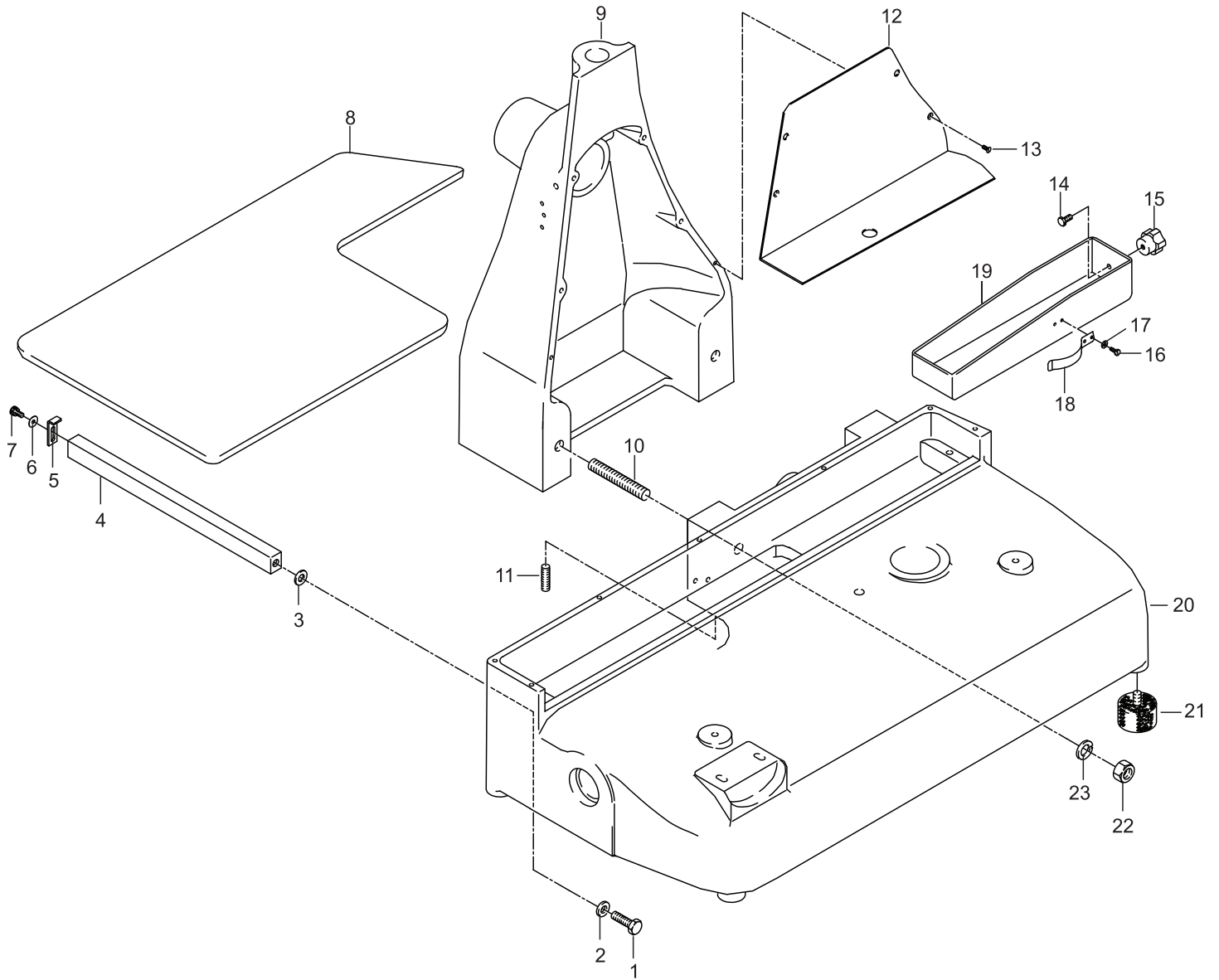


# Parts Breakdown

Model MS-IT-0350-MF 26074

Base

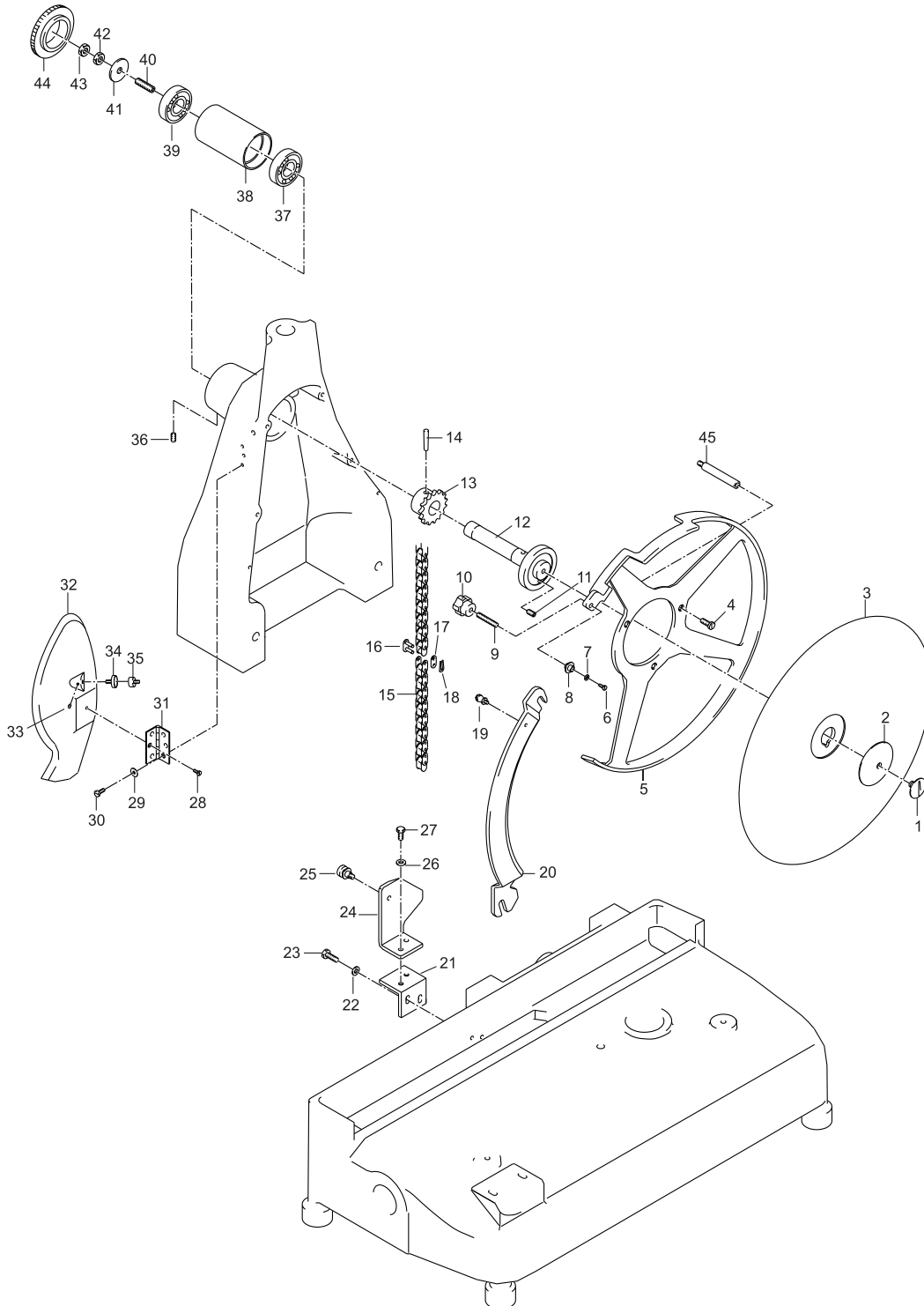




# Parts Breakdown

Model MS-IT-0350-MF 26074

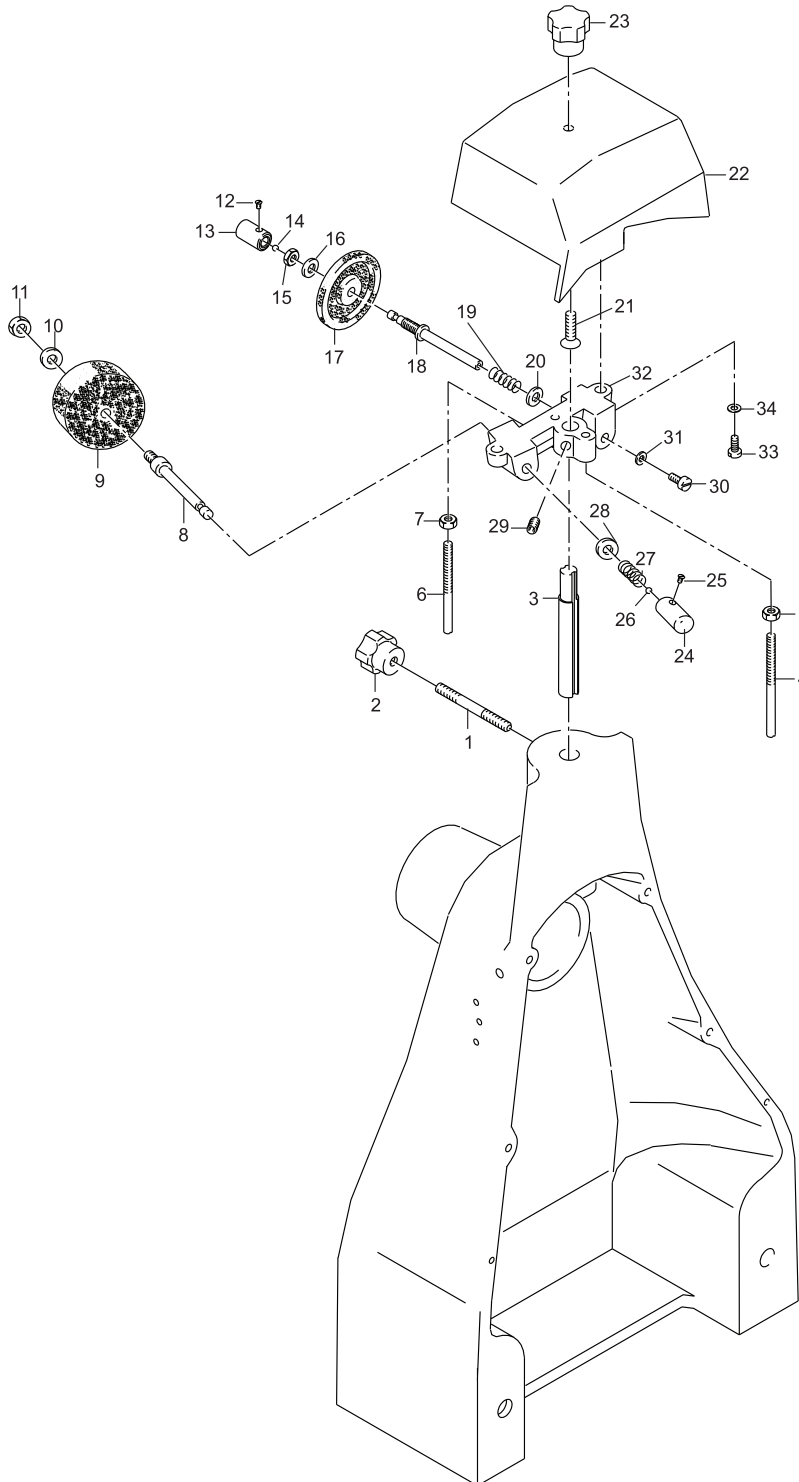
Blade Assembly



# Parts Breakdown

Model MS-IT-0350-MF 26074

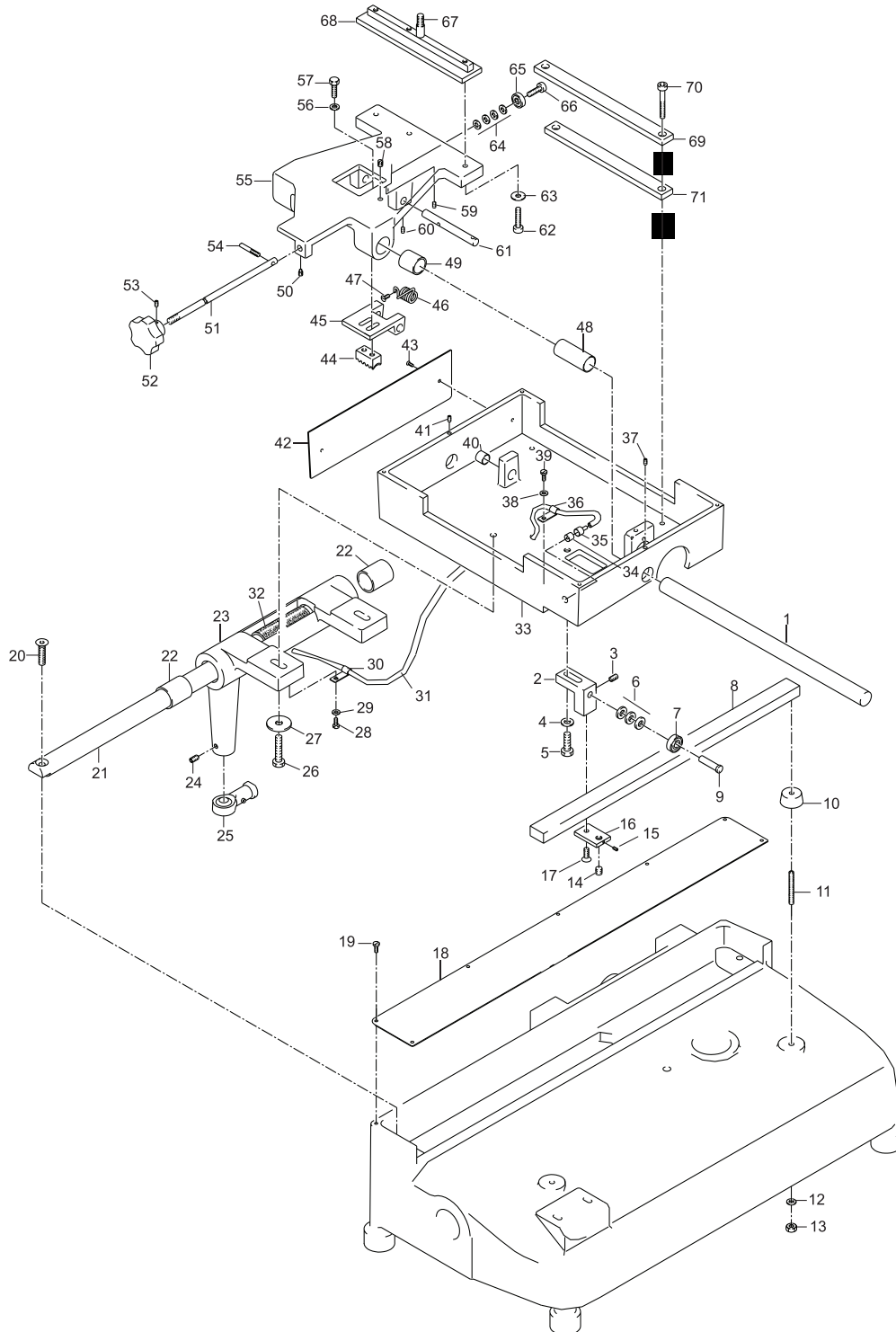
Sharpening Assembly



# Parts Breakdown

Model MS-IT-0350-MF 26074

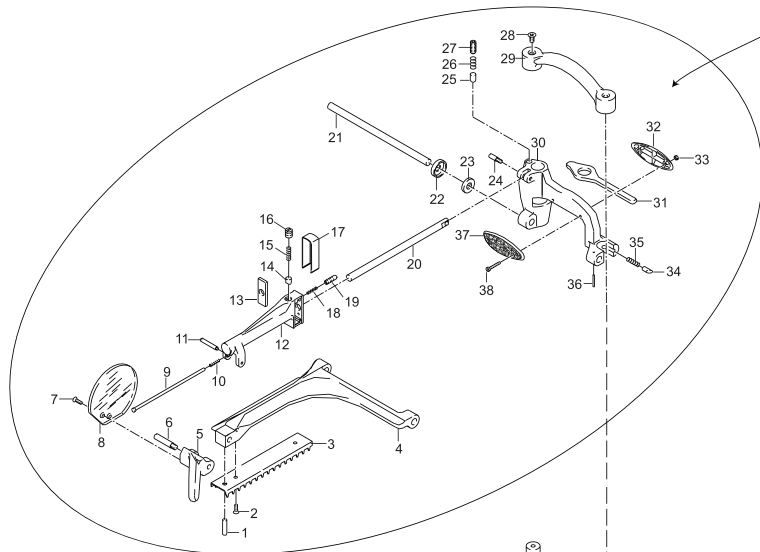
Cart



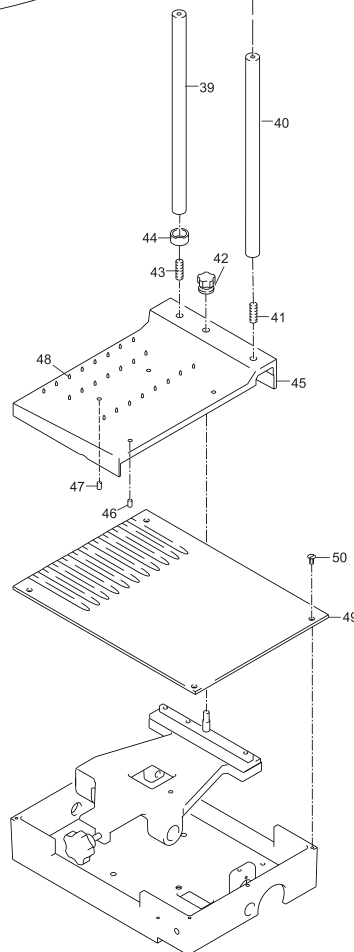
# Parts Breakdown

Model MS-IT-0350-MF 26074

Meat Tray Assembly



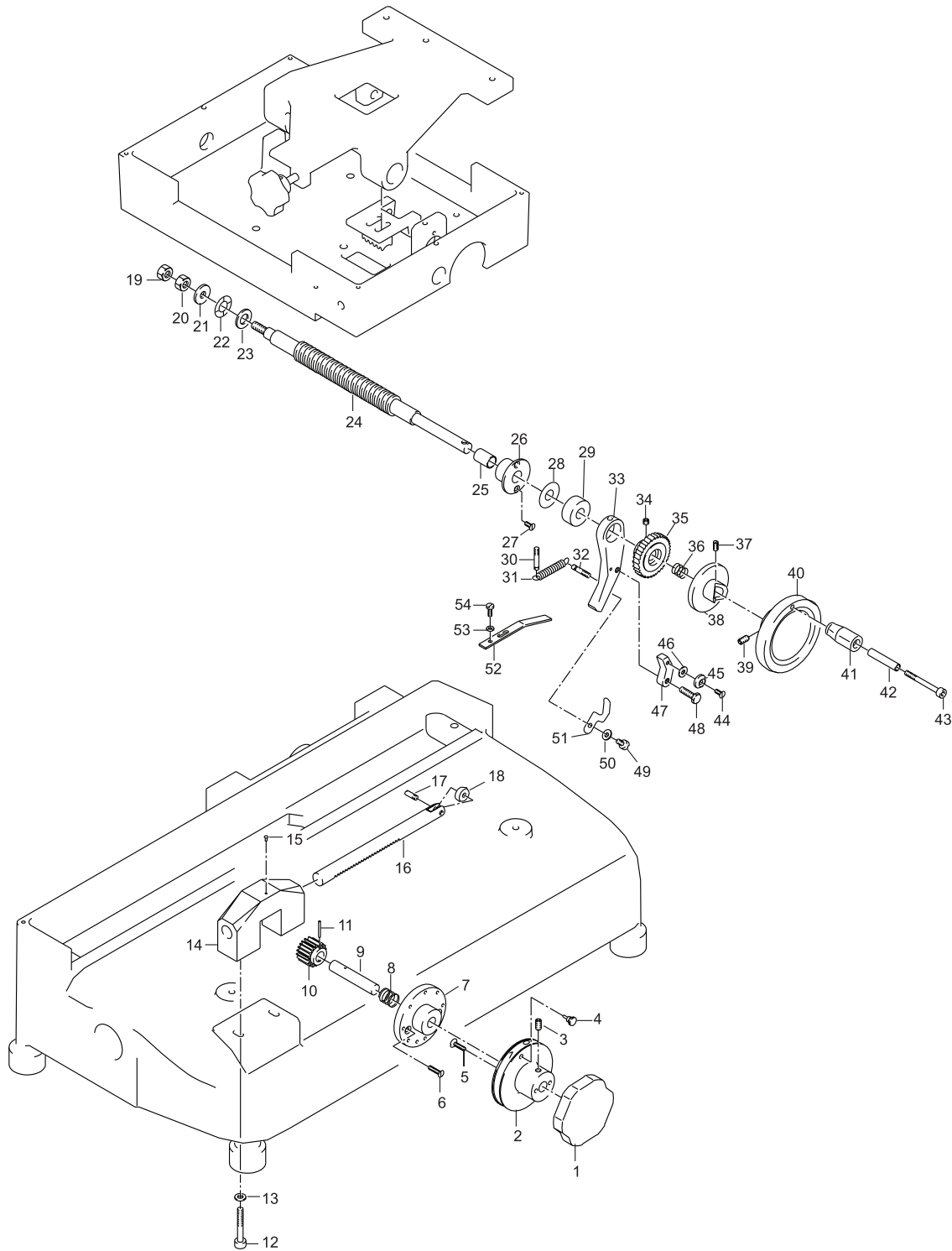
Sold Complete



# Parts Breakdown

Model MS-IT-0350-MF 26074

Advancement Cart

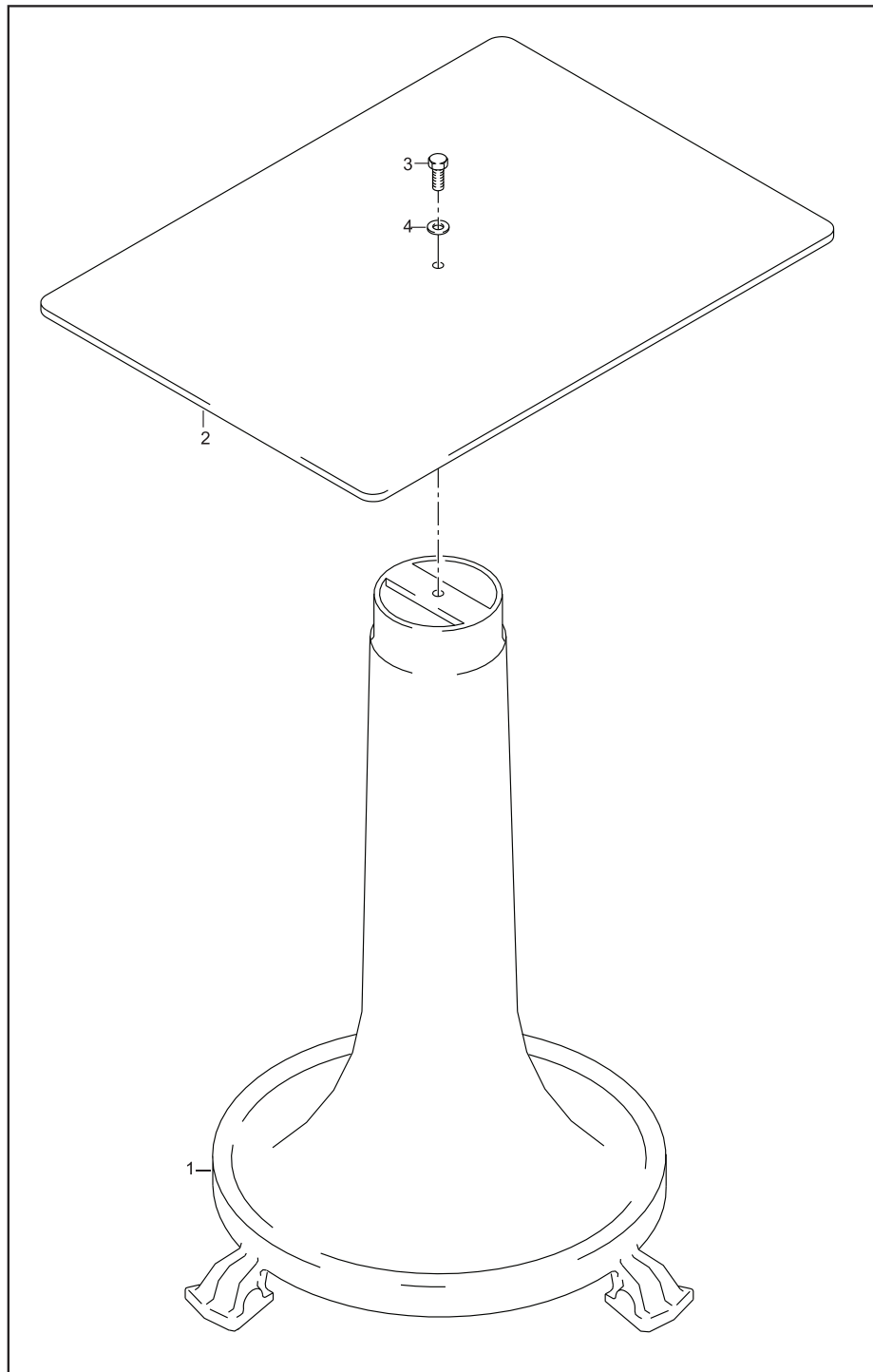


# Parts Breakdown

Model **MS-IT-0350-MF** 26074

**Support Stand**

Sold Complete





# Parts Breakdown

**Model MS-IT-0350-MF 26074**

**Base**

Item No.	Description	Position	Item No.	Description	Position	Item No.	Description	Position
33278	Screw TE for 26074	1	33285	Tray for 26074	8	33292	Thumb Screw for 26074	15
33279	Washer for 26074	2	33286	Blade Assembly Casing for 26074	9	33293	Screw for 26074	16
33280	Washer for 26074	3	33287	Pin for 26074	10	33296	Tray for 26074	19
33281	Square Bar Support for Plate for 26074	4	33288	Pin for 26074	11	33297	Housing for 26074	20
33282	Plate Stop for 26074	5	33289	Chain Guard for 26074	12	33298	Foot for 26074	21
33283	Washer for 26074	6	33290	Screw for 26074	13	33299	Nut for 26074	22
32692	Thumb Screw 5 MA for 26074	7	33291	Screw for 26074	14	33300	Washer for 26074	23

**Flywheel**

Item No.	Description	Position	Item No.	Description	Position	Item No.	Description	Position
33301	Gear Pivot for 26074	1	33319	Axial Bearing for 26074	19	33337	Oiler for 26074	37
33302	Gear for 26074	2	33320	Gear for 26074	20	33338	Oiler for 26074	38
33303	Rod / Counter for 26074	3	33321	Tapered Pin for 26074	21	33339	Bushing for 26074	39
33304	Set Screw for 26074	4	33322	Gear for 26074	22	33340	Gear Shaft for 26074	40
33305	Screw for 26074	5	33323	Tapered Pin for 26074	23	33341	Axial Bearing for 26074	41
33306	Washer for 26074	6	33324	Axial Bearing for 26074	24	33342	Axial Bearing for 26074	42
33307	Joint for 26074	7	33325	Axial Bearing for 26074	25	33343	Axial Bearing for 26074	43
33308	Screw for 26074	8	33326	Axial Bearing for 26074	26	33344	Set Screw for 26074	44
33309	Nut for 26074	9	33327	Screw Chrome for 26074	27	33345	Gear for 26074	45
33310	Pin for 26074	10	33328	Meat Grip Handle for 26074	28	33346	Cap for 26074	46
33311	Nut for 26074	11	33329	Pin for 26074	29	33347	Screw for 26074	47
33312	Joint for 26074	12	33330	Nut for 26074	30	33348	Pin for 26074	48
33313	Washer for 26074	13	33331	Tapered for 26074	31	33349	Washer for 26074	49
33314	Washer for 26074	14	33332	Screw Chrome for 26074	32	33350	Bearing for 26074	50
33315	Carriage Slide Bar for 26074	15	41425	Flower Fly Wheel for 26074	33	33351	Spacer for 26074	51
33316	Axial Bearing for 26074	16	33334	Set Screw for 26074	34	33352	Bearing for 26074	52
33317	Axial Bearing for 26074	17	33350	Bearing for 26074	35			
33318	Axial Bearing for 26074	18	33336	Bushing for 26074	36			

# Parts Breakdown

## Model MS-IT-0350-MF 26074

## Blade Assembly

Item No.	Description	Position	Item No.	Description	Position	Item No.	Description	Position
33353	Screw Chrome for 26074	1	33368	Chain Link for 26074	16	33383	Hinge for 26074	31
33354	Blade Washer for 26074	2	33369	Chain Link for 26074	17	33384	Meat Deflector for 26074	32
24041	Blade for 26074	3	33370	Chain Link for 26074	18	33385	Set Screw for 26074	33
33356	Screw TC 5x10 for 26074	4	33371	Thumb Screw for 26074	19	33386	Screw for 26074	34
33357	Bladering Guard for 26074	5	33372	Blade Guard for 26074	20	33387	Screw for 26074	35
33358	Screw for 26074	6	33373	Bracket for 26074	21	33388	Set Screw for 26074	36
33359	Washer for 26074	7	33374	Washer for 26074	22	33389	Bearing for 26074	37
33360	Spacer for 26074	8	33375	Screw for 26074	23	33390	Bearing Sleeve for 26074	38
33361	Set Screw for 26074	9	33376	Bracket for 26074	24	33391	Bearing for 26074	39
33362	Thumb Screw for 26074	10	33377	Screw for 26074	25	33392	Pin for 26074	40
33363	Set Screw for 26074	11	33378	Washer for 26074	26	33393	Washer for 26074	41
33364	Bearing and Shaft for 26074	12	33379	Screw for 26074	27	33394	Nut for 26074	42
33365	Gear Pig Z 15 for 26074	13	33380	Screw for 26074	28	33395	Nut for 26074	43
33366	Tapered Pin for 26074	14	33381	Washer for 26074	29	33396	Blade Shaft Cap for 26074	44
33367	Chain for 26074	15	33382	Screw for 26074	30	39117	Support Pin for 26074	45

## Sharpening Assembly

Item No.	Description	Position	Item No.	Description	Position	Item No.	Description	Position
33537	Pin for 26074	1	33549	Sharpener Push Button for 26074	13	33561	Push Button Screw for 26074	25
33538	Knob for 26074	2	33550	Ball Bearing for 26074	14	33550	Ball Bearing for 26074	26
33539	Shaft for Sharpener for 26074	3	33547	Nut for 26074	15	33563	Spring for 26074	27
33540	Pin for 26074	4	33546	Washer for 26074	16	33564	Washer for 26074	28
33541	Nut for 26074	5	33545	45x13x6 Sharpening Stone for 26074	17	33565	Set Screw for 26074	29
33542	Pin for 26074	6	33554	Sharpener Pin for 26074	18	33566	Screw for 26074	30
33543	Nut for 26074	7	33555	Spring for 26074	19	33567	Washer for 26074	31
33544	Sharpener Pin for 26074	8	33546	Washer for 26074	20	33568	Sharpener Body for 26074	32
33553	Finishing Stone for 26074	9	33557	Screw for 26074	21	33569	Screw for 26074	33
33546	Washer for 26074	10	33558	Sharpener Cover for 26074	22	33570	Washer for 26074	34
33547	Nut for 26074	11	33559	Sharpener Cover Knob for 26074	23			
33548	Push Button Screw for 26074	12	33560	Sharpener Push Button for 26074	24			

# Parts Breakdown

**Model MS-IT-0350-MF 26074**

**Cart**

Item No.	Description	Position	Item No.	Description	Position	Item No.	Description	Position
33397	Rod for 26074	1	33422	Screw for 26074	26	33447	Rod for 26074	51
33398	Sharpener Support Bracket for 26074	2	33423	Washer for 26074	27	33448	Knob for 26074	52
33399	Set Screw for 26074	3	33424	Screw for 26074	28	33449	Set Screw for 26074	53
33400	Washer for 26074	4	33425	Washer for 26074	29	33450	Pin for 26074	54
33401	Screw for 26074	5	33426	Wire Bracket for 26074	30	33451	Slide for 26074	55
33402	Washer for 26074	6	33427	Cable for 26074	31	33452	Washer for 26074	56
33403	Bearing for 26074	7	33428	Wick for 26074	32	33453	Screw for 26074	57
33404	Carriage Rail for 26074	8	33429	Plate Base for 26074	33	33454	Set Screw for 26074	58
33405	Pin for 26074	9	33430	Screw for 26074	34	33455	Set Screw for 26074	59
33406	Foot for 26074	10	33431	Screw for 26074	35	33456	Set Screw for 26074	60
33407	Pin for 26074	11	33432	Wire Bracket for 26074	36	33457	Tapered Pin for 26074	61
33408	Washer for 26074	12	33433	Set Screw for 26074	37	33458	Screw for 26074	62
33409	Nut for 26074	13	33434	Washer for 26074	38	33459	Washer for 26074	63
33410	Set Screw for 26074	14	33435	Screw for 26074	39	33460	Washer for 26074	64
33411	Set Screw for 26074	15	33436	Bushing for 26074	40	33461	Bearing for 26074	65
33412	Flat Bracket for 26074	16	33437	Set Screw for 26074	41	33462	Pin for 26074	66
33413	Screw for 26074	17	33438	Bottom Plate Cover for 26074	42	33463	Pin for 26074	67
33414	Slide Bar Cover for 26074	18	33439	Screw for 26074	43	33464	Mount for 26074	68
33415	Screw for 26074	19	33440	Comb Block for 26074	44	33465	Plate for 26074	69
33416	Screw for 26074	20	33441	Support Mount for 26074	45	33466	Screw for 26074	70
33417	Carriage Slide Bar for 26074	21	33442	Spring for 26074	46	33467	Plate for 26074	71
33418	Bushing for 26074	22	33443	Screw for 26074	47	33468	Washer for 26074	73
33419	Carriage Support for 26074	23	33444	Bushing for 26074	48	33469	Washer for 26074	74
33420	Set Screw for 26074	24	33445	Bushing for 26074	49			
33421	Joint for 26074	25	33446	Set Screw for 26074	50			

## Meat Tray Assembly

Item No.	Description	Position	Item No.	Description	Position	Item No.	Description	Position
33524	Complete Arm Assembly for 26074	1 - 38	33529	Set Screw for 26074	43	33534	Steel Pin for 26074	48
33525	Column for 26074	39	33530	Spacer for 26074	44	33535	Bottom Plate for 26074	49
33526	Column for 26074	40	33531	Top Plate for 26074	45	33536	Screw for 26074	50
33527	Set Screw for 26074	41	33532	Set Screw for 26074	46			
33528	Tightening Knob for 26074	42	33533	Set Screw for 26074	47			

# Parts Breakdown

**Model MS-IT-0350-MF 26074**

**Advancement Cart**

Item No.	Description	Position	Item No.	Description	Position	Item No.	Description	Position
33470	Index Knob for 26074	1	33488	Nut for 26074	19	33506	Set Screw for 26074	37
33471	Indicator Numbers for 26074	2	33489	Nut for 26074	20	33507	Wheel Plate for 26074	38
33472	Set Screw for 26074	3	33490	Washer for 26074	21	33508	Set Screw for 26074	39
33473	Screw for 26074	4	33491	Wavy Washer for 26074	22	33509	Fly Wheel Assembly for 26074	40
33474	Screw for 26074	5	33492	Washer for 26074	23	33510	Handle for 26074	41
33475	Screw for 26074	6	33493	Feed Screw Shaft for 26074	24	33511	Threaded Pin for 26074	42
33476	Cam for 26074	7	33494	Bushing for 26074	25	33512	Socket Head Screw for 26074	43
33477	Spring for 26074	8	33495	Feed Screw Bushing for 26074	26	33513	Screw for 26074	44
33478	Pin for 26074	9	33496	Screw for 26074	27	33514	Nut for 26074	45
33479	Gear for 26074	10	33497	Washer for 26074	28	33515	Washer for 26074	46
33480	Tapered Pin for 26074	11	33498	Spacer for 26074	29	33516	Small Skip Latch for 26074	47
33481	Screw for 26074	12	33499	Pin for 26074	30	33517	Screw for 26074	48
33482	Washer for 26074	13	33500	Spring for 26074	31	33518	Screw for 26074	49
33483	Index Mount for 26074	14	33501	Pin for 26074	32	33519	Washer for 26074	50
33484	Rivet for 26074	15	33502	Large Skip Latch for 26074	33	33520	Spring and Latch for 26074	51
33485	Cam Pin for 26074	16	33503	Set Screw for 26074	34	33521	Spring for 26074	52
33486	Set Screw for 26074	17	33504	Gear for 26074	35	33522	Washer for 26074	53
33487	Bearing PVC for 26074	18	33505	Spring for 26074	36	33523	Screw for 26074	54

## Support Stand

Item No.	Description	Position
33571	Pedestal Base for 26074	1 - 4