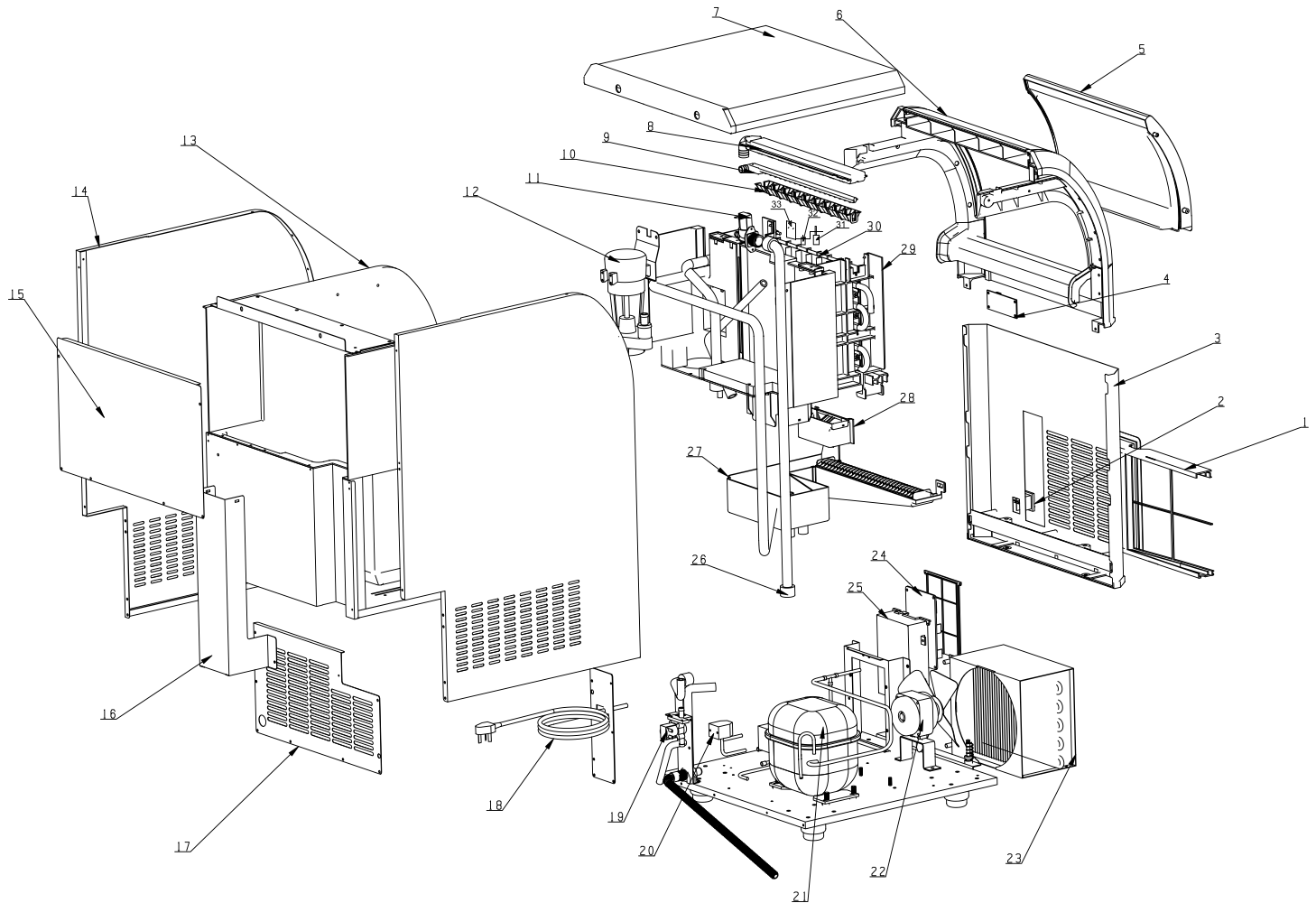


Parts Breakdown

Model IC-CN-0060 31780



Parts Breakdown

Model IC-CN-0060 31780

| Item No. | Description | Position | Item No. | Description | Position | Item No. | Description | Position |
|----------|--|----------|----------|---|----------|----------|---------------------------------------|----------|
| AC709 | Air Filter for 31780 | 1 | AC720 | Water Pump for Ice Making for 31780 | 12 | AC731 | Condenser for 31780 | 23 |
| AC710 | Power Switch for 31780 | 2 | AC721 | Ice Bin Body for 31780 | 13 | AC732 | PCB for 31780 | 24 |
| AC711 | Front Panel for 31780 | 3 | AC722 | Side Panel for 31780 | 14 | AC733 | PCB Box for 31780 | 25 |
| AC712 | Indicator Board for 31780 | 4 | AC723 | Back Panel for 31780 | 15 | AC734 | Water Hose for 31780 | 26 |
| AC713 | Slide Door for 31780 | 5 | AC724 | Wire Cover for 31780 | 16 | AC735 | Water Tank for 31780 | 27 |
| AC714 | Door Support Frame for 31780 | 6 | AC725 | Back Panels Ventilation Plate for 31780 | 17 | AC736 | Ice Full Switch for 31780 | 28 |
| AC715 | Top Panel for 31780 | 7 | AC726 | Power Cord for 31780 | 18 | AC737 | Evaporator Support Assembly for 31780 | 29 |
| AC716 | Water Distribution Box for Ice Making for 31780 | 8 | AC727 | Water Outlet Rain Valve for 31780 | 19 | AC738 | Evaporator for 31780 | 30 |
| AC717 | Water Distribution Box for Water Flush for 31780 | 9 | AC728 | Solenoid Valve for 31780 | 20 | AC739 | High Water Level Sensor for 31780 | 31 |
| AC718 | Water Flow Guide for 31780 | 10 | AC729 | Compressor for 31780 | 21 | AC740 | Low Water Level Sensor for 31780 | 32 |
| AC719 | Water Inlet Valve for 31780 | 11 | AC730 | Condenser Fan for 31780 | 22 | AC741 | Water Sensor Holder for 31780 | 33 |