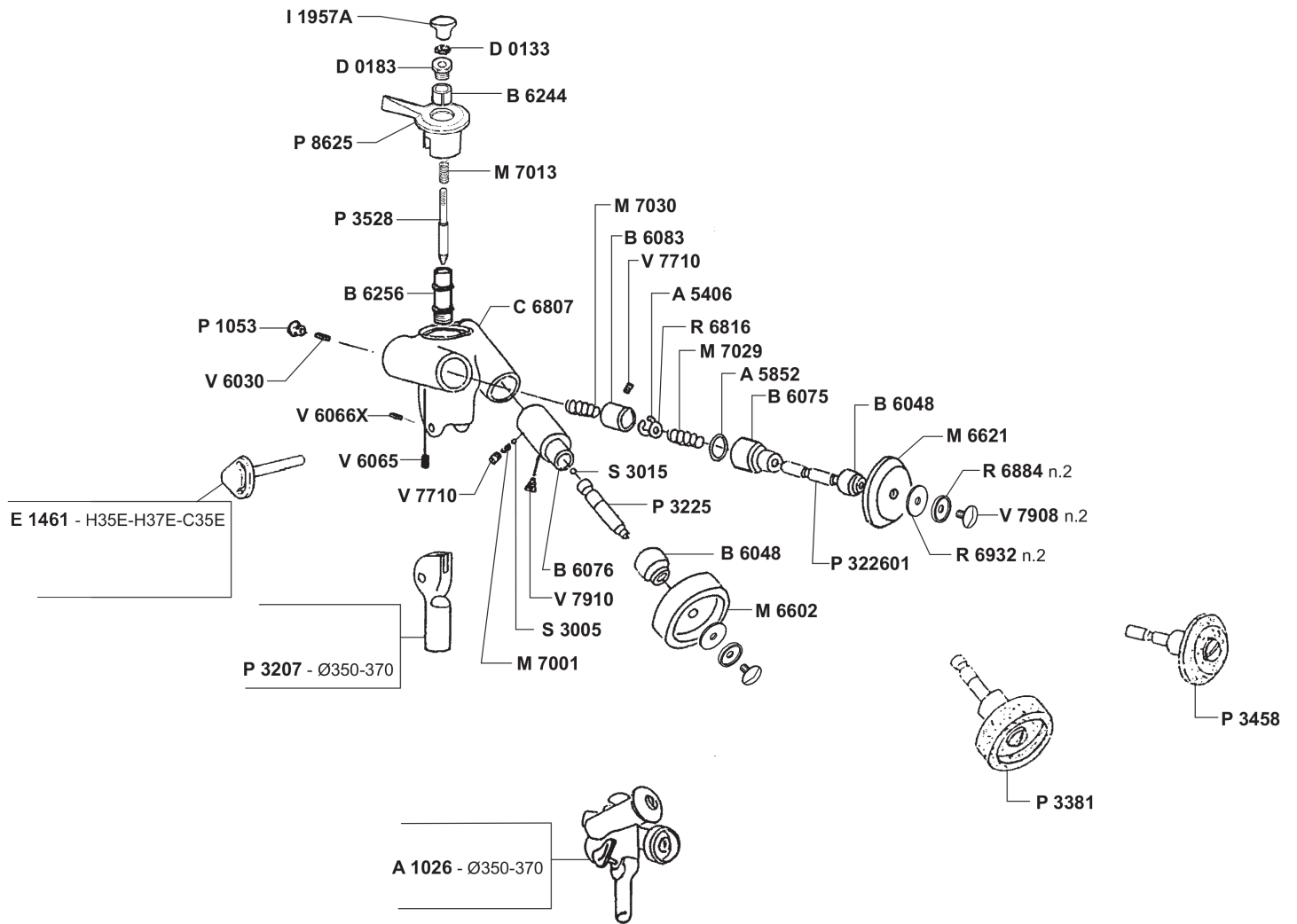


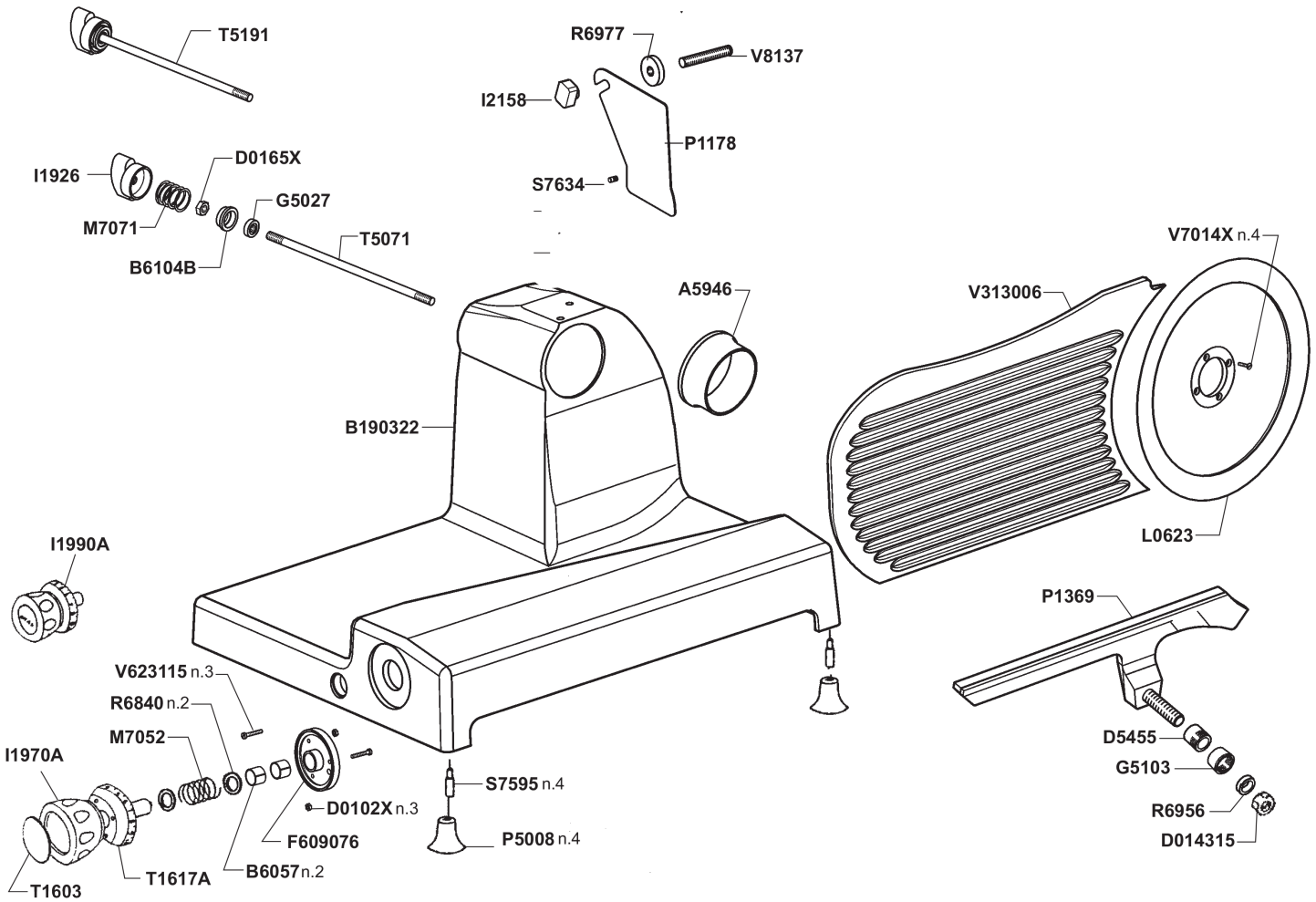
PARTS BREAKDOWN

ITEM	MODEL
39631	MS-IT-0350-H



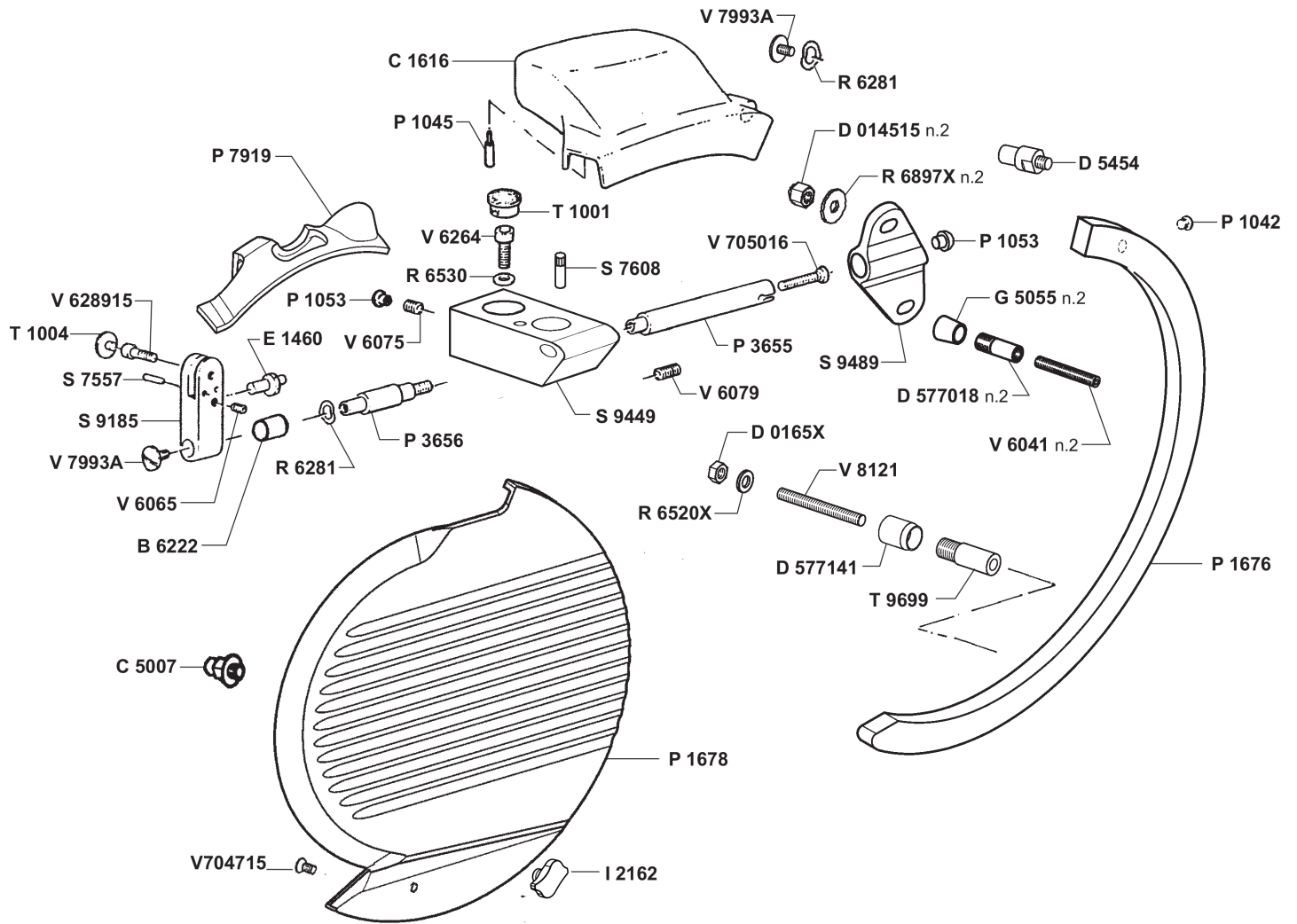
PARTS BREAKDOWN

ITEM	MODEL
39631	MS-IT-0350-H



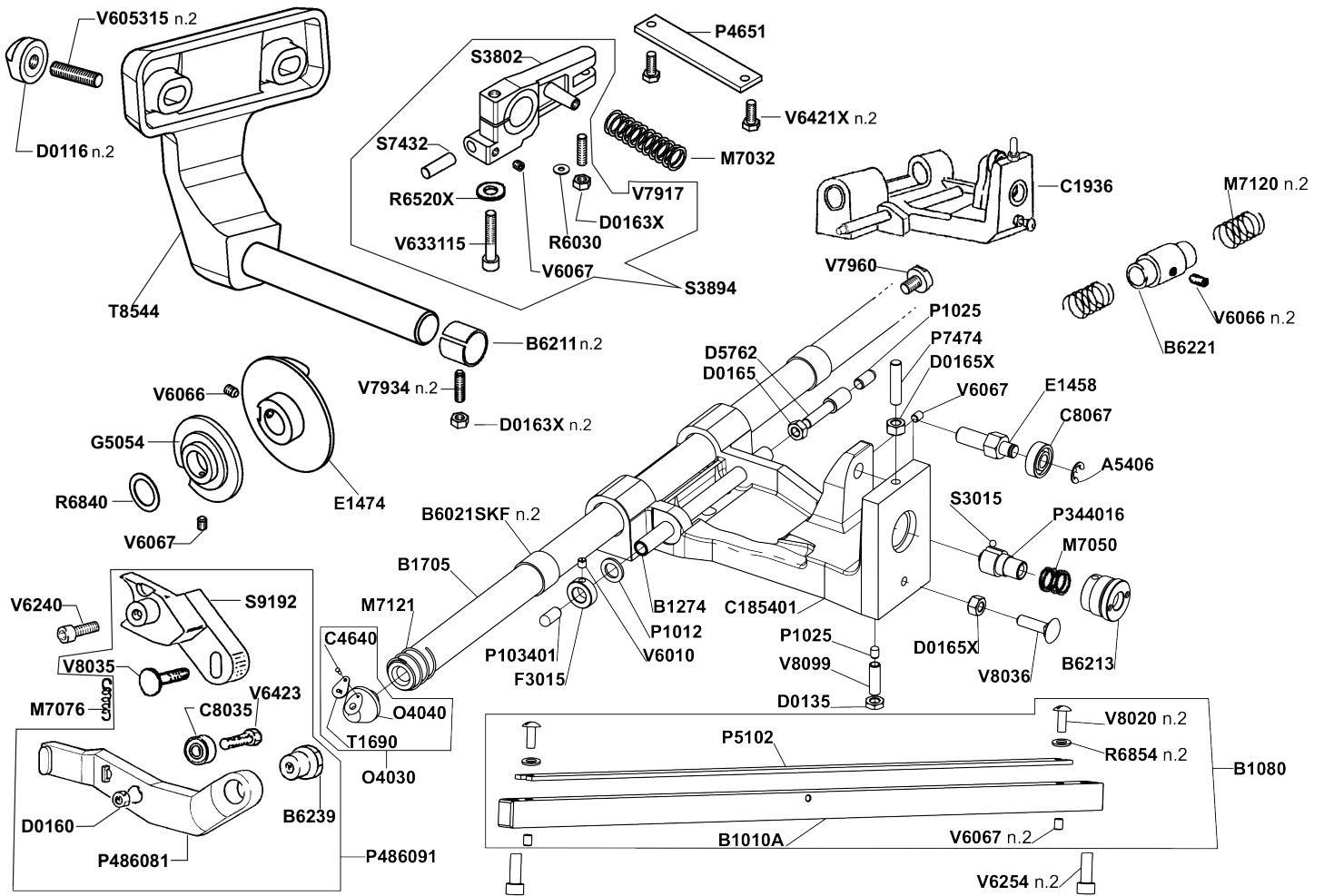
PARTS BREAKDOWN

ITEM	MODEL
39631	MS-IT-0350-H



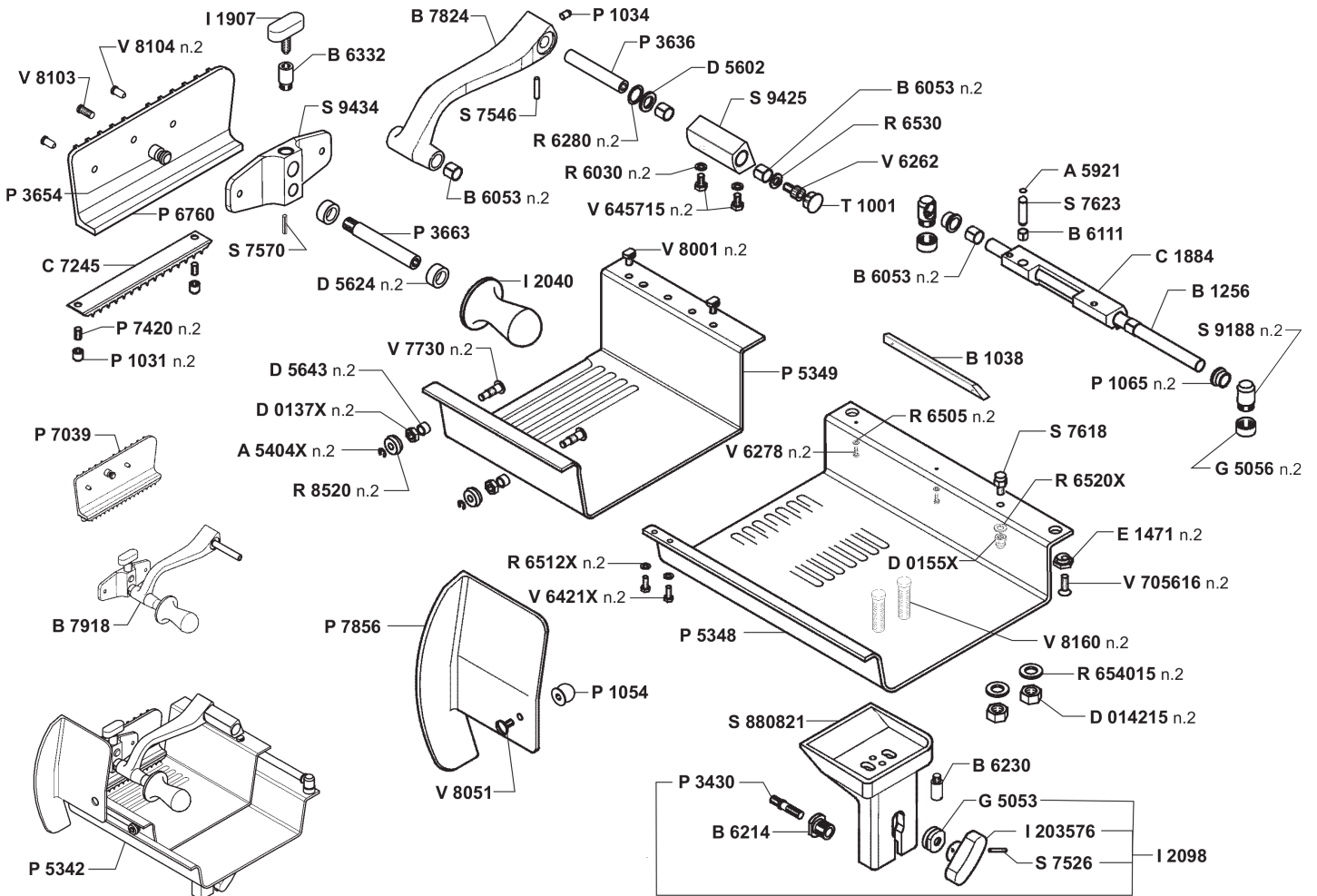
PARTS BREAKDOWN

ITEM	MODEL
39631	MS-IT-0350-H



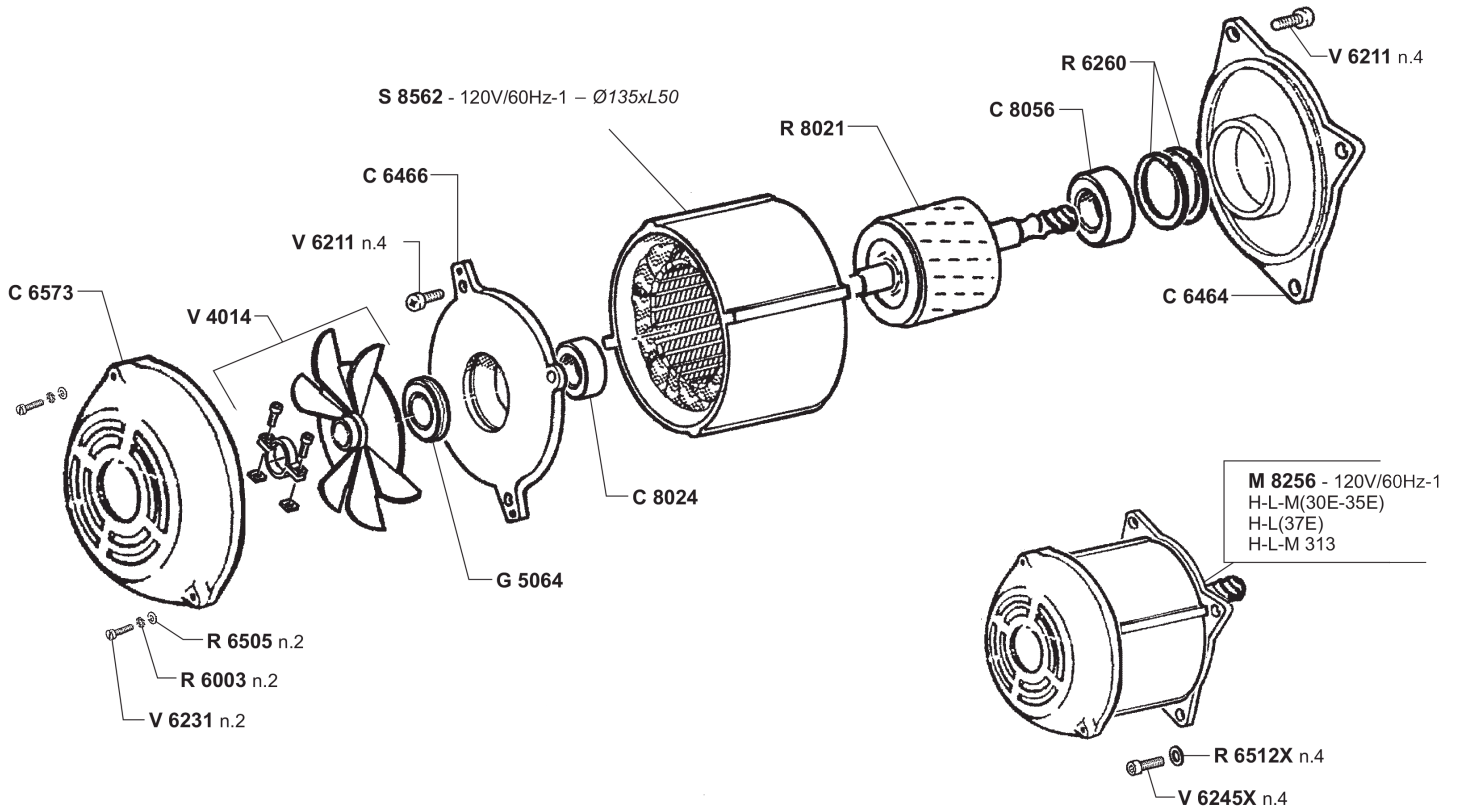
PARTS BREAKDOWN

ITEM	MODEL
39631	MS-IT-0350-H



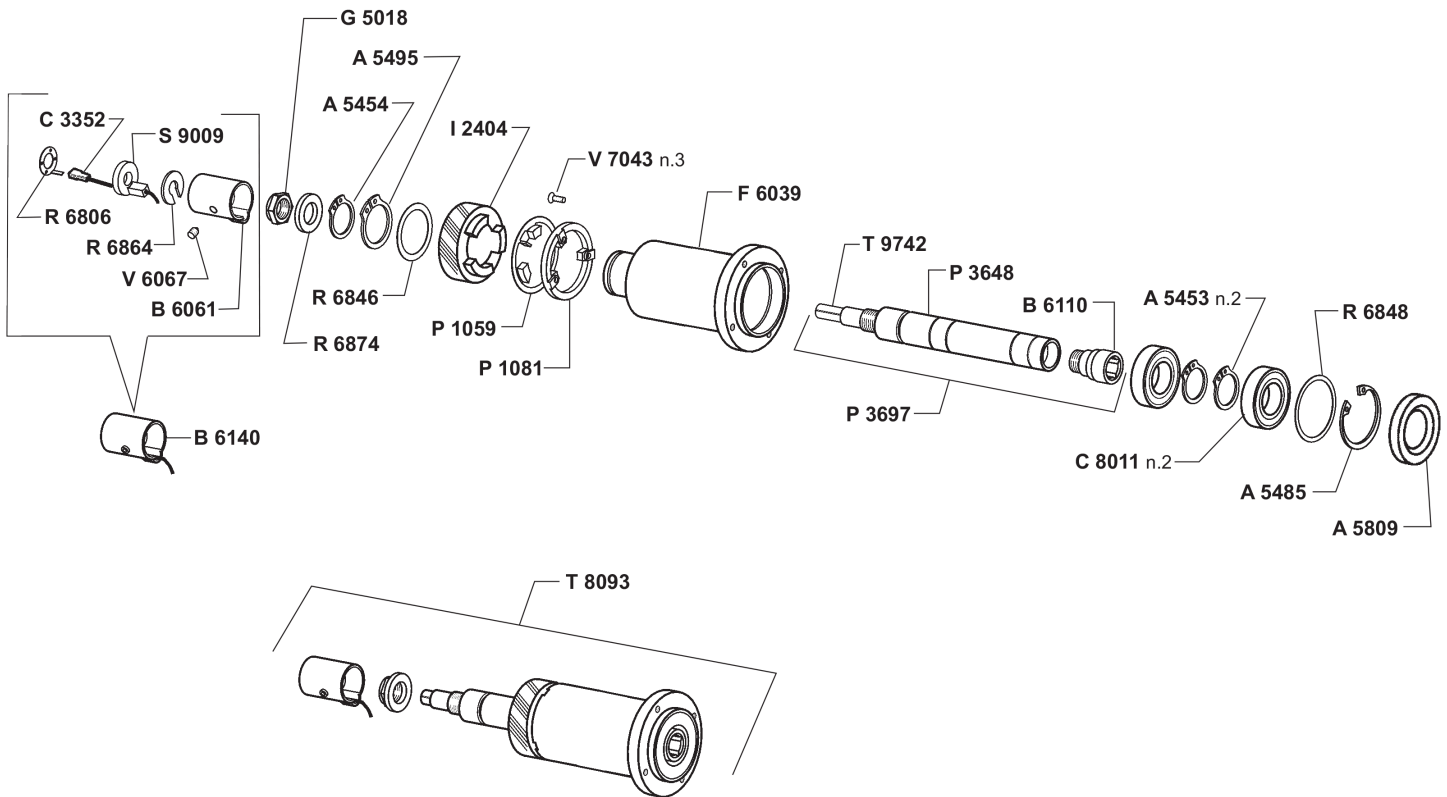
PARTS BREAKDOWN

ITEM	MODEL
39631	MS-IT-0350-H



PARTS BREAKDOWN

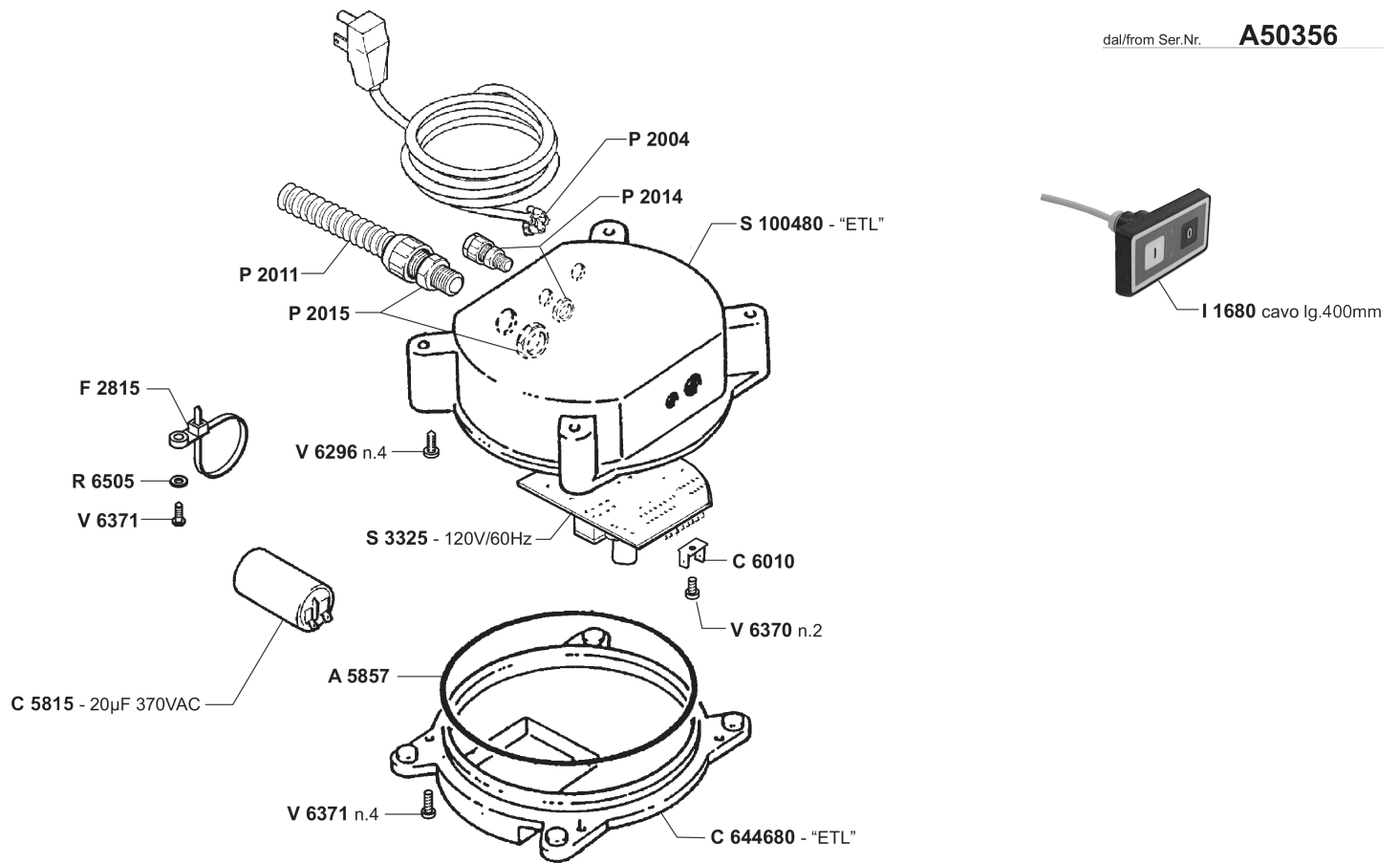
ITEM	MODEL
39631	MS-IT-0350-H



PARTS BREAKDOWN

ITEM	MODEL
39631	MS-IT-0350-H

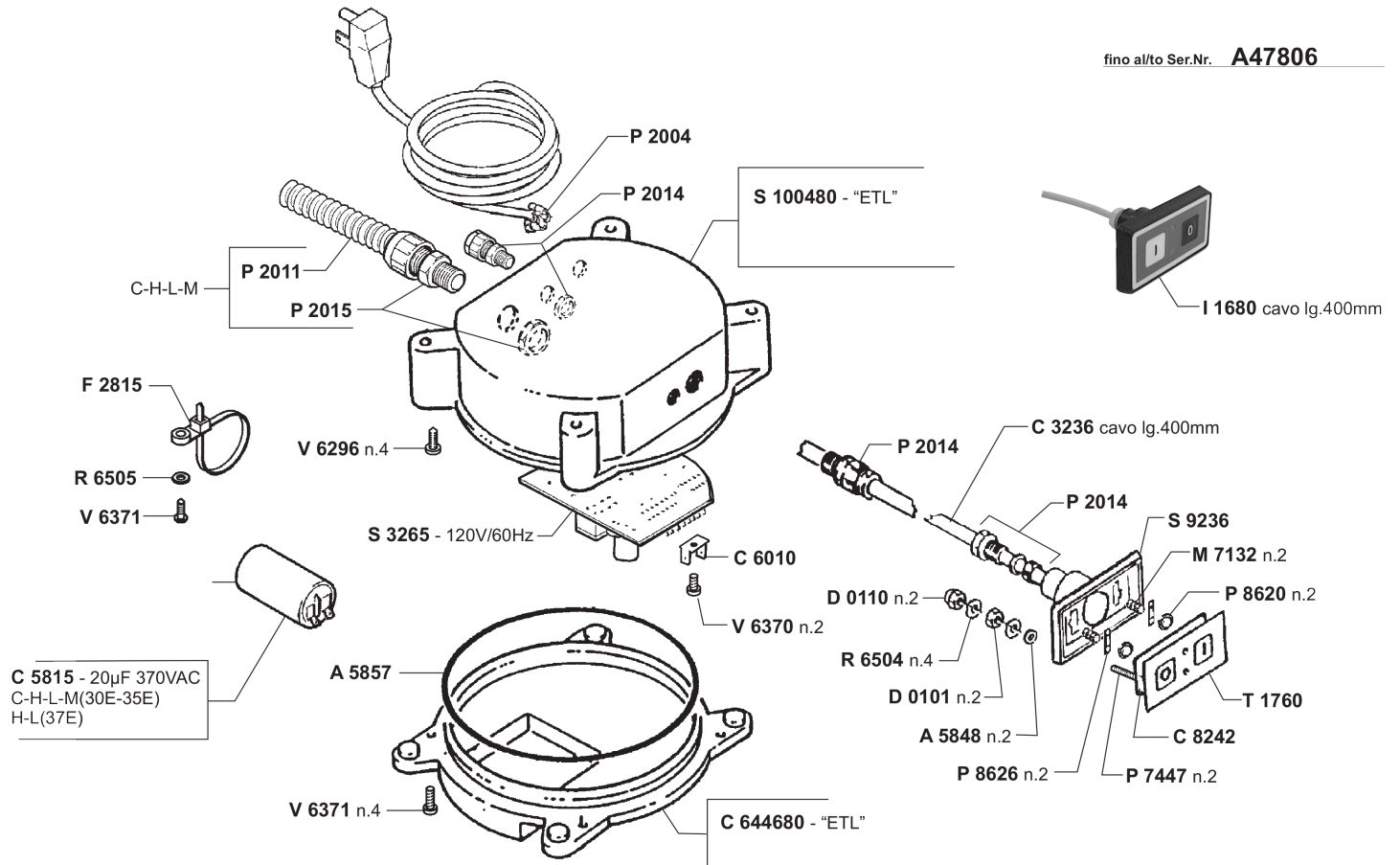
dal/from Ser.Nr. **A50356**



PARTS BREAKDOWN

ITEM	MODEL
39631	MS-IT-0350-H

fino al/lo Ser.Nr. **A47806**



PARTS BREAKDOWN

ITEM	MODEL
39631	MS-IT-0350-H

Item No.	Description	Position	Item No.	Description	Position	Item No.	Description	Position
16900	Sharpening Assembly for 39631	A1026	77588	Bushing Fastener Guard Knife for 39631	B6140	36630	Bearing 5x16x6.5 for 39631	C8035
36536	Ring El.Benzing 6 Stainless Steel for 39631	A5404X	17312	Bushing 22x25x20 for 39631	B6211	36631	Bearing 2RS-6205 25x52x15 for 39631	C8056
16902	Ring El.Benzing 8 for 39631	A5406	36563	Carriage Bushing for 39631	B6213	16926	Bearing 2RS-6000 (10x26x8) for 39631	C8067
17281	Ring El.Seeger Ext.25 for 39631	A5453	36564	Bushing for Carriage Support Ig.23mm for 39631	B6214	60423	Touch Pad Gasket for 39631	C8242
77585	Ring El.Seeger Est.25 Ser.Heavy for 39631	A5454	36566	Bushing to Hold Carriage Springs for 39631	B6221	19637	Nut M3 for 39631	D0101
19484	Ring 52 for 39631	A5485	36567	Bushing DU 12x14x25 for 39631	B6222	77504	Stainless Steel Nut U5587 M4 for 39631	D0102X
19612	Ring 33 for 39631	A5495	60449	Meat Tray Support Bushing for 39631	B6230	77612	Self-Locking Nut M3 UNI7473 for 39631	D0110
17283	Oil Seal 25x52x10 for 39631	A5809	36569	Fixing Lever Bushing for 39631	B6239	77535	Special Nut M10 for 39631	D0116
77601	Oil Seal OR 2010 for 39631	A5848	17313	Bushing DU 14x15x16 for 39631	B6244	16928	Nut U5589 M6 for 39631	D0133
17287	O-Ring 123 17.86x2.62 for 39631	A5852	23646	Sharpener Pivot Ferrule for 39631	B6256	19639	Nut M8 for 39631	D0135
77602	O-Ring OR 4500 for 39631	A5857	77552	Bushing for Plate for 39631	B6332	36638	Nut U5589 M10 Stainless Steel for 39631	D0137X
77547	Pin Stop Ring for 39631	A5921	60443	Pusher Arm for 39631	B7824	77508	Stainless Steel Nut U5588 M12 for 39631	D014215
77502	Shaft Sealing Ring Ø98x42 for 39631	A5946	60441	Meat Tray Pusher Handle Assembly for 39631	B7918	60438	Meat Carriage Guard Holder Screw for 39631	D014315
17290	Carriage Bar for 39631	B1010A	77518	Sharpener Cover for 39631	C1616	66365	Domed Nut Din 917 M8 Stainless Steel for 39631	D014515
77548	Tray Rod for 39631	B1038	60444	Meat Tray Handle Sliding Shaft for 39631	C1884	19642	Nut M8 for 39631	D0155X
60431	Complete Carriage Rail Assembly for 39631	B1080	AS556	Ass. Carriage for 39631	C1936	36643	Nut U5588 M5 for 39631	D0160
79618	Sliding Bar for Carriage for 39631	B1256	77605	Assy Wiring 6 Poles LG.400 for 39631	C3236	36646	Nut U5588 M6 Stainless Steel for 39631	D0163X
AS554	Shock Absorber Rod Ø12x180 for 39631	B1274	79263	Contact Pin for 39631	C3352	36647	Nut U5588 M8 for 39631	D0165
60430	Carriage Shaft for 39631	B1705	36601	Rivet 1.9x5 for 39631	C4640	36648	Nut U5588 M8 for 39631	D0165X
AS555	Bushing DU 25x28x30 for 39631	B6021SKF	36607	Blade Cover Bolt Keeper 14x14M for 39631	C5007	36651	Sharpener Support Nut for 39631	D0183
16904	Bushing Sharpener for 39631	B6048	20458	Capacitor 14uF for 39631	C5815	79264	Blade Support Screw for 39631	D5454
16905	Bushing DU 16x18x15 for 39631	B6053	74403	Connector Faston 2Poles Male for 39631	C6010	60435	Meat Carriage Guard Holder Spacer for 39631	D5455
17305	Bushing DU 18x20x15 for 39631	B6057	77611	P.C.B. Cover Box for 39631	C644680	19648	Knife Spacer for 39631	D5602
19514	Bushing Guard A310 for 39631	B6061	36614	Cover Anter.Motor H (Diam.135) for 39631	C6464	77556	Right Spacer Int90 for 39631	D5624
16906	Bush Sharpening for 39631	B6075	36615	Back Motor Cover for 39631	C6466	17341	Spacer D.10.5x14 H.9 for 39631	D5643
16907	Bush. Sharpening for 39631	B6076	36617	Motor Fan Cover for 39631	C6573	36661	Carriage Shock Absorber Spacer for 39631	D5762
17307	Bushing Sharp. for 39631	B6083	19534	Housing Sharpener H for 39631	C6807	36665	Locknut Spacer for 39631	D577018
19630	Bushing Fastener for 39631	B6104B	19537	Rack for 39631	C7245	77519	Spacer Eccentrico for 39631	D577141
78265	Bushing Funnel for 39631	B6110	17334	Bearing 2Z-6205 25x52x15 for 39631	C8011	77519	Spacer Eccentrico for 39631	E1458
77550	Bushing DU 10x12x10 for 39631	B6111	16925	Bearing 2RS-6204 20x47x14 for 39631	C8024	36677	Cam Pin for 39631	E1460

PARTS BREAKDOWN

ITEM	MODEL
39631	MS-IT-0350-H

Item No.	Description	Position	Item No.	Description	Position	Item No.	Description	Position
77590	Cam for Sharpener for 39631	E1461	36741	Spring 2.9x4x12 Stainless Steel for 39631	M7001	77616	Strain Relief for 39631	P2004
77558	Eccentric for 39631	E1471	17377	Spring 8.5x1.0x25 Stainless Steel for 39631	M7013	60421	Electrical Conduit for 39631	P2011
19564	Metal Cam 25mm (Old Style) for 39631	E1474	17379	Spring 11.9x0.7x27 Stainless Steel for 39631	M7029	36778	Wire-Press for 39631	P2014
69701	Black Plastic Cam 25mm (New Style) for 39631	E1474	17380	Spring 13.4x1.3x30 Stainless Steel for 39631	M7030	36779	Core-Hitch+Nut for 39631	P2015
77614	Nylon Cable Tie (Diam.45x200) for 39631	F2815	19776	Spring 14x1.5x60 for 39631	M7032	17416	Pin Sharpener for 39631	P3207
36682	Unhook Friction Clasp 12x22x8 for 39631	F3015	19782	Spring 19.5x1.5x16.7 for 39631	M7050	16959	Pin Grinding for 39631	P3225
77591	Support Blade Flange for 39631	F6039	17381	Spring 22 5x1 8x18 for 39631	M7052	17419	Pin Truing for 39631	P322601
17349	Handle Flange for 39631	F609076	19250	Spring 24.8x1.8x15 for 39631	M7071	17427	Assy Grinding Stone & Pin for 39631	P3381
17351	Locknut for 39631	G5018	36746	Spring 7x0.8x23 Cam for 39631	M7076	36793	Pin.Handle for 39631	P3430
36689	Stainless Steel Locknut M8 for 39631	G5027	19248	Spring 15.6x20x2.2 for 39631	M7120	62428	Lock Plate Pivot H for 39631	P344016
36691	Ring for Bushing for 39631	G5053	36749	Carriage Bar Spring 25-28-1.5 for 39631	M7121	17426	Assy Honing Stone Pivot for 39631	P3458
36692	Ring for Cam for 39631	G5054	78283	Screw for 39631	M7132	23645	Sharpener Pivot for 39631	P3528
36695	Ring Support Cap for 39631	G5055	17383	Motor for 39631	M8256	77564	Pin Support Meat Grip Arm H for 39631	P3636
77559	Plate Bar Supp. Ring for 39631	G5056	AS557	Oiler for 39631	O4030	79272	Knife Shaft for 39631	P3648
36697	Logging Lock Nut for 39631	G5064	19791	Oiler Oil Cap with Screw for 39631	O4040	77523	Knife Cover Support Pin for 39631	P3655
60436	Meat Carriage Guard Holder Bushing for 39631	G5103	17388	R.Shock Absorb.12x19x2 for 39631	P1012	77524	Pin for Protec.Support for 39631	P3656
17352	Touch Pad-Start/Stop Push Button for 39631	I1680	36760	Pin Tray Shock-Absorber for 39631	P1025	77566	Pivot Pusher for 39631	P3663
19580	Handle for 39631	I1907	19796	Plastic Shock for 39631	P1031	77594	Assy Driving Pivot for 39631	P3697
17356	Fastener Handle for 39631	I1926	17392	Pl.Shock Absorb.8.5x20 for 39631	P1034	19832	Flat Bar for 39631	P4651
19587	Sharpener Knob for 39631	I1957A	36761	Shock Absorber for 39631	P103401	77537	Ecc. Locking Plate for 39631	P486081
36705	Adjustment Knob for 39631	I1970A	19797	Nylon Shock 8.5x8 for 39631	P1042	AS558	Lever Assembly for 39631	P486091
36708	Assy Index Knob for 39631	I1990A	19798	Plastic Shock for 39631	P1045	16961	Foot for 39631	P5008
18220	Knob-Handling for 39631	I203576	36762	Rubber Plug for 39631	P1053	65632	Sliding Bearing Flat for 39631	P5102
17363	End Grip Handle for 39631	I2040	77562	Shock Absorber for 39631	P1054	60442	Complete Meat Tray/Pusher Assembly for 39631	P5342
36717	Knob Assy for 39631	I2098	16955	Shock Absorber for 39631	P1059	60446	Meat Tray Slider Bottom Plate for 39631	P5348
AR285	Fixing Handle for 39631	I2158	77563	Shock Absorber for 39631	P1065	60445	Meat Tray Slider Top Plate for 39631	P5349
46120	Blade Cover Knob for 39631	I2162	17395	Shock Absorber for 39631	P1081	60439	Meat Tray Pusher Plate for 39631	P6760
AN603	Gear Pulley Kit for 39631	I2404	AR286	Slice Deflector for 39631	P1178	60440	Meat Tray Pusher Plate Assembly for 39631	P7039
13599	Blade 350x57x4x280 for 39631	L0623	60434	Meat Carriage Guard Holder for 39631	P1369	19655	Meat Grip Stud H for 39631	P7420
14787	Grinding Sharpening Stone 48x15x14.3 for 39631	M6602	60427	Blade Guard for 39631	P1676	60424	Touch Pad Screw for 39631	P7447
21644	F Stone 51x7x14.3 for 39631	M6621	60425	Blade Cover for 39631	P1678	77539	Stud Plate M8x25x35 for 39631	P7474

PARTS BREAKDOWN

ITEM	MODEL
39631	MS-IT-0350-H

Item No.	Description	Position	Item No.	Description	Position	Item No.	Description	Position
19850	Protection for 39631	P7856	77619	P.C.B. Protection Box for 39631	S100480	36985	Label Plate for 39631	T1617A
77525	Mobile Protection for 39631	P7919	19680	Ball 3 17 for 39631	S3005	19883	Label Oil for 39631	T1690
78282	Lock Washer for 39631	P8620	17465	Ball 4.76 for 39631	S3015	77628	Switch Overlay for 39631	T1760
24030	Sharpener Operating Handle for 39631	P8625	41350	P.C. Board 120V/60 ETL for 39631	S3265	62438	Blade Cover Fastener for 39631	T5071
78284	Bracket for 39631	P8626	AP747	Electric P.C. Board 120V/60 for 39631	S3325	42974	Tie Rod for 39631	T5191
19657	Washer 4 for 39631	R6003	77541	Index Arm for 39631	S3802	79280	Knife Shaft Assy for 39631	T8093
19661	Washer 8 for 39631	R6030	16974	Index Arm for 39631	S3894	60429	Meat Tray Support for 39631	T8544
19665	Washer for 39631	R6260	77542	Cylindrical Pin U1707 8x35 Stainless Steel for 39631	S7432	62439	Blade Support Shaft for 39631	T9699
19666	Washer for 39631	R6280	36920	Pin 4x25 for 39631	S7526	79283	Shaft Pin for 39631	T9742
19667	Washer 12x17x2 for 39631	R6281	36924	Pin M.E.U6875 6x30 for 39631	S7546	60433	Meat Carriage Guard for 39631	V313006
36880	Washer U6592 3 for 39631	R6504	36926	Pin U7586 3x18 for 39631	S7557	37013	Motor Fan MEC80 148x16 for 39631	V4014
17455	Washer U6592 4 for 39631	R6505	77569	Pin U7586 6x30 for 39631	S7570	37018	Screw STTC U6113 M6x6 for 39631	V6010
17457	Washer U6592 6 Stainless Steel for 39631	R6512X	17476	Foot Support Pin D.10 M8 L.37 for 39631	S7595	37021	Screw for 39631	V6030
36884	Washer U6592 8 Stainless Steel for 39631	R6520X	77526	Pin Ø8x23 for 39631	S7608	60426	Stainless Steel Screw STEI U5923 M8x60 for 39631	V6041
19668	Washer 10 for 39631	R6530	77570	Lock Pin for Carr. Plate Rotation for 39631	S7618	60428	Threaded Rod for 39631	V605315
66375	Stainless Steel Washer U6592 12 for 39631	R654015	77571	Lock Pin Pusher Arm for 39631	S7623	37023	Screw STEI U5929 M5x5 for 39631	V6065
17458	Contact Washer for 39631	R6806	A0442	Pin 4x15 Zig.Handleplate L for 39631	S7634	19691	Grub Screw M6x6 for 39631	V6066
36889	Washer 10.5x16x1 for 39631	R6816	19870	Stator 120/60 for 39631	S8562	37024	Screw Stei U5929 M6x6 for 39631	V6066X
16969	Washer 18.2x25x0.5 for 39631	R6840	60448	Support Plate for 39631	S880821	19692	Screw M6x8 for 39631	V6067
17460	Washer 34.2x46x0.5 for 39631	R6846	77597	Washer Bracket for 39631	S9009	19694	Screw M8x10 for 39631	V6075
19674	Washer 44.5x51.5x0.2 for 39631	R6848	77527	Protoc. Support for 39631	S9185	37029	Screw STEI U5929 M8x20 for 39631	V6079
77540	Washer 6.2x14x0.6 for 39631	R6854	77572	Bracket for Plate Rod for 39631	S9188	19697	Screw M5x16 for 39631	V6211
77596	Switch Washer for 39631	R6864	19181	Bracket Support for 39631	S9192	19699	Screw M4x25 for 39631	V6231
36892	Washer 17x30x4 for 39631	R6874	60422	Touch Pad Back Casing for 39631	S9236	77515	Screw TC U6107 M4x25 Inox for 39631	V623115
16972	Washer 5.5x19x2.5 for 39631	R6884	77573	Hand Grip Arm Support for 39631	S9425	19700	Screw M6x16 for 39631	V6240
36893	Stainless Steel Special Washer 8.5x24x2 for 39631	R6897X	77574	Hand Grip Support for 39631	S9434	77598	Stainless Steel Screw TCEI U5931 M6x20 for 39631	V6245X
36897	Special Washer 5.5x22x1.5 for 39631	R6932	79619	Sharpener Holder for 39631	S9449	37042	Screw TCEI U5931 M8x25 for 39631	V6254
60437	Meat Carriage Guard Holder Washer for 39631	R6956	77528	Ext.Knife Protect.Support for 39631	S9489	19704	Screw M10x16 for 39631	V6262
AR288	Washer Guard for 39631	R6977	19877	Rubber Cap for 39631	T1001	77530	Screw TCEI U5931 M10x30 for 39631	V6264
78261	Rotor Stator for 39631	R8021	36981	Rubber Cap for 39631	T1004	19706	Screw for 39631	V6278
16973	Plate Wheel D.25x9.5 for 39631	R8520	19879	Label for 39631	T1603	77531	Screw TCEI U5931 M6x14 Inox for 39631	V628915

PARTS BREAKDOWN

ITEM	MODEL
39631	MS-IT-0350-H

Item No.	Description	Position	Item No.	Description	Position	Item No.	Description	Position
77629	Screw TBTC Aut.U6954 4.2x13 for 39631	V6296	37085	Screw 8x25 for 39631	V705616	37102	Screw M6x20 for 39631	V8035
77545	Stainless Steel Screw TCEI U5931 M8x45 for 39631	V633115	19713	Screw Sharpener for 39631	V7710	19920	Screw M8x30 for 39631	V8036
37058	Stainless Steel Screw M4x8 for 39631	V6370	37091	Screw H for 39631	V7730	77580	Stainless Steel Screw M8x16 for 39631	V8051
37059	Stainless Steel Screw M4x14 for 39631	V6371	17503	Screw M5x13 for 39631	V7908	37113	Screw for Carr. Index M8x25 for 39631	V8099
66387	Screw TE U5737 M6x15 Stainless Steel for 39631	V6421X	19715	Screw Sharpener for 39631	V7910	77581	Special Screw M10x18 for 39631	V8103
37067	Screw TE U5739 M5x20 for 39631	V6423	19717	Screw M6x50 for 39631	V7917	77582	Special Screw Ø8x15 for 39631	V8104
77578	Stainless Steel Screw TE U5739 M8x14 for 39631	V645715	19720	Screw M6 for 39631	V7934	A0999	Stainless Steel Screw STEI U5923 M8x80 Inox for 39631	V8121
17497	Screw TSP U6109 M5x15 Stainless Steel for 39631	V7014X	19917	Screw BS for 39631	V7960	AR289	Screw for 39631	V8137
17498	Screw TSPEI U5933 M4x10 for 39631	V7043	37095	Screw for Rod 6x13 for 39631	V7993A	60447	Meat Tray Slider Bottom Plate Screw for 39631	V8160
64400	Stainless Steel Screw TSPEI U5933 M6x15 for 39631	V704715	19724	Screw H for 39631	V8001			
37083	Locking Screw-Support for 39631	V705016	16987	Special Screw M6x15 for 39631	V8020			