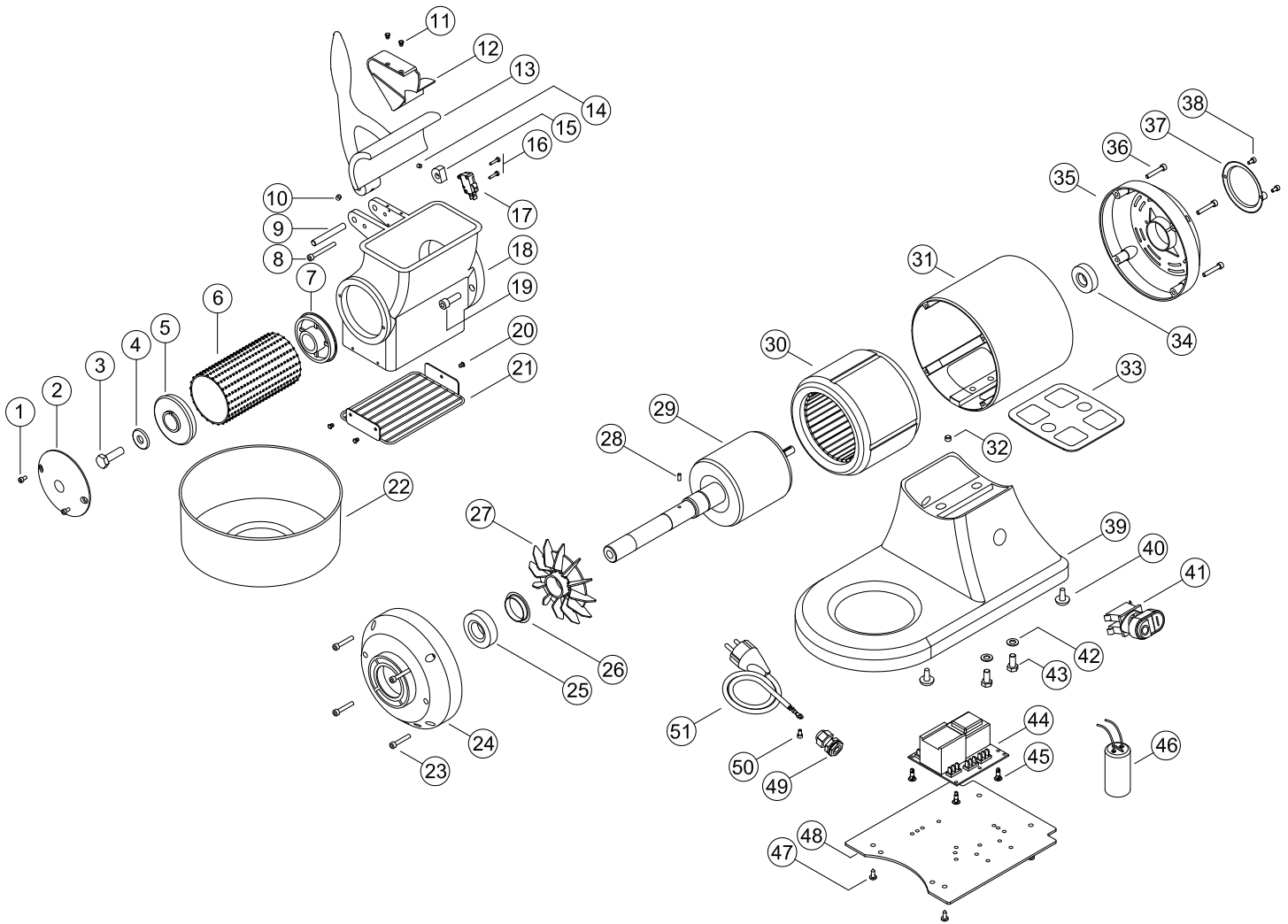


# PARTS BREAKDOWN

ITEM	MODEL
39884	GR-IT-1119-B



# PARTS BREAKDOWN

ITEM	MODEL
39884	GR-IT-1119-B

Item No.	Description	Position	Item No.	Description	Position	Item No.	Description	Position
15351	Screw 4x8 for 39884	1	15430	Drum Casing for 39884	18	15380	Back Motor Cover for 39884	35
15418	Plastic Front Cover 100mm for 39884	2	15410	Screw 8x22 for 39884	19	15353	Screw 5x30 for 39884	36
15419	Screw 10x35 for 39884	3	15370	Rivet for 39884	20	15352	Disc Locking ABS DA 80mm for 39884	37
15420	Washer 10x30x2 for 39884	4	15431	Guard for 39884	21	15351	Screw 4x8 for 39884	38
17885	Drum Caps/Flange for 39884	5	17243	Pan for 39884	22	15439	Base for 39884	39
17823	Drum for 39884	6	15353	Screw 5x30 for 39884	23	42904	Rubber Foot for 39884	40
17885	Drum Caps/Flange for 39884	7	15433	Motor Cover - Front for 39884	24	15409	Switch for 39884	41
15423	Screw 5x45 for 39884	8	15434	Bearing 6205 2RS for 39884	25	70181	Washer 8x16x1.5 for 39884	42
15424	Pin 8x57 for 39884	9	AD424	Fixed Fan Ring D.30 for 39884	26	15440	Screw 8x25 for 39884	43
68924	Bead 6x6 for 39884	10	AD425	Fan D.30 for 39884	27	46205	Circuit Board New Type & Setting with Green Connector for 39884	44
15370	Rivet for 39884	11	17244	Key Lock 4x10mm for 39884	28	AD427	Feet for Board for 39884	45
17700	Micro Switch Cover for 39884	12	AD426	Rotor Shaft for 39884	29	18657	Capacitor uF 40 for 39884	46
15425	Aluminum Lever for 39884	13	20178	Stator for 39884	30	15412	Screw 4.8x12 for 39884	47
72905	Wheat 5x6 for 39884	14	AD422	Engine Housing Open Banded for 39884	31	15411	Rubber Base Cover for 39884	48
15427	Bushing for 39884	15	AD423	Wheat 8x6 for 39884	32	15437	Plug PG9/11 for 39884	49
17240	Screw 2.8x15 for 39884	16	78010	Gasket Base for 39884	33	15351	Screw 4x8 for 39884	50
17241	Microswitch for 39884	17	15381	Bearing 6203 ZZ for 39884	34	78013	Cable with Plug Mod. SCHUKO for 39884	51