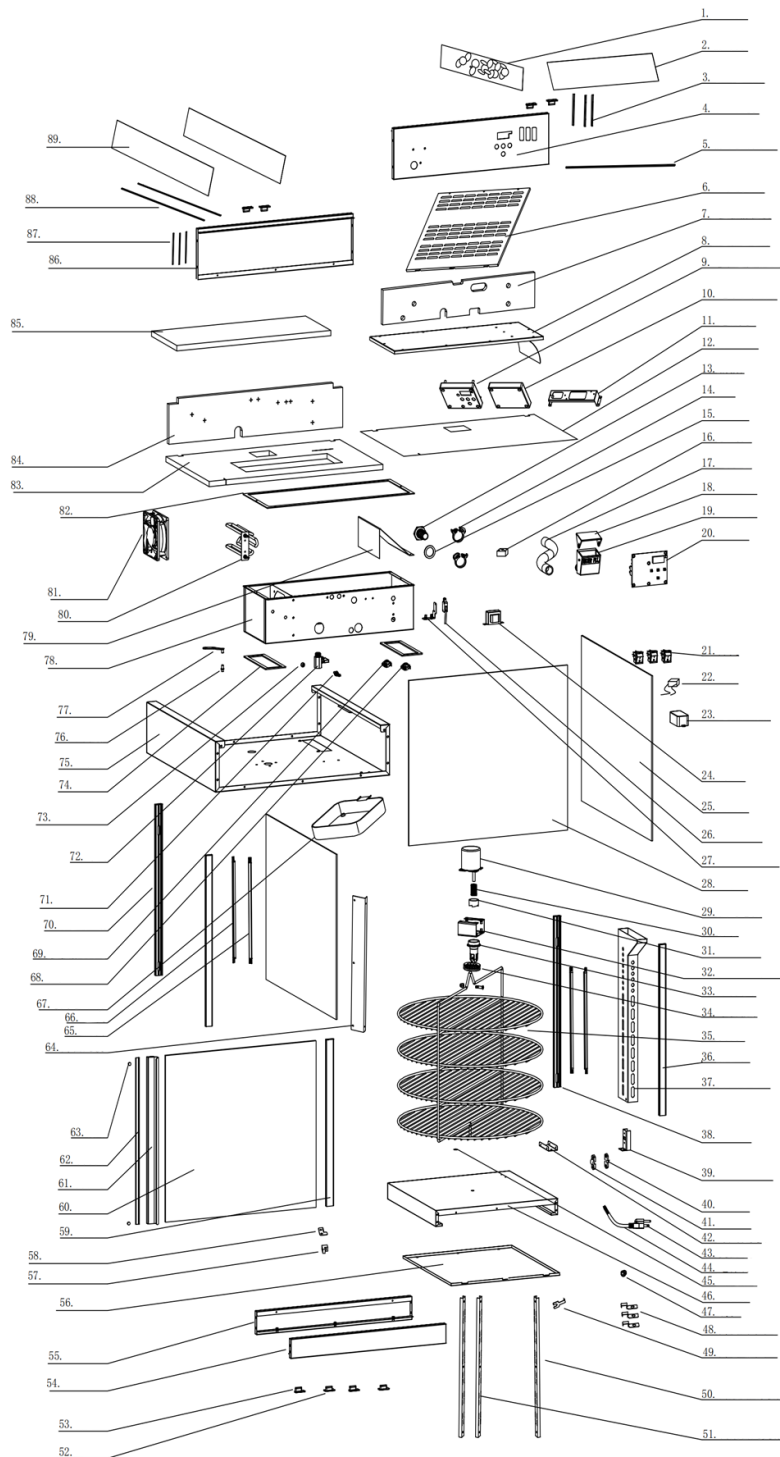


Parts Breakdown

Model DW-CN-0457-SS 41468



Parts Breakdown

Model DW-CN-0457-SS 41468

Item No.	Description	Position	Item No.	Description	Position	Item No.	Description	Position
AK180	Pizza Sticker for 41468	1	AJ415	Upper Clutch for 41468	31	AJ432	Door Handle for 41468	61
AQ864	Front Transparent Plate for 41468	2	AJ416	Motor Bracket for 41468	32	AJ433	Door Magnet Strip for 41468	62
AQ861	Left Metal Insert Part for 41468	3	AJ417	Lower Clutch for 41468	33	70866	Magnet for 41468	63
AQ869	Rear Top Cover for 41468	4	AR550	Plane Bearing for 41468	34	AQ859	Light Fixing Plate for 41468	64
AQ860	Front Lower Metal Insert Part for 41468	5	AJ418	Rotary Shelf for 41468	35	AQ873	LED Light for 41468	65
AQ867	Top Cover for 41468	6	AJ421	Front Pillar for 41468	36	AQ874	LED Light for 41468	66
AR540	Front Baffle of U Box for 41468	7	AQ875	Wind-Guiding Pipe Assembly for 41468	37	AJ434	Water Box Cover for 41468	67
AJ397	U Cover for 41468	8	AJ419	Rear Pillar for 41468	38	AR554	Thermostat 125°C for 41468	68
AR541	Temperature Controller Panel for 41468	9	AQ876	Cable Clip Fixer for 41468	39	AR555	Thermostat 150°C for 41468	69
AR542	Temperature Controller Cover for 41468	10	61246	Wire Clip Holder for 41468	40	AQ853	Rear Pillar for 41468	70
AR543	Bracket for 41468	11	61245	Wire Clamp Cover for 41468	41	AJ435	Temperature Sensor for 41468	71
AR544	Cover Plate of Insulation Cotton for 41468	12	AJ423	Wind Guiding Path Bracket for 41468	42	AJ436	Float for 41468	72
AR545	Copper Joint for 41468	13	AL096	Plug 5-20P for 41468	43	60213	Double-Faced Protective Ring C12 for 41468	73
AR546	Clip for 41468	14	AK995	Power Line for 41468	44	AJ437	Seal for 41468	74
AJ402	O Ring for 41468	15	AJ425	Shelf Bearing for 41468	45	AQ855	Top Panel for 41468	75
AR547	Terminal for 41468	16	AQ877	Lower Plate for 41468	46	AQ856	Door Bolt for 41468	76
AJ403	Inlet Pipe for 41468	17	AR551	Clip for 41468	47	67296	Upper Hinge Back for 41468	77
AJ404	Infall Box Cover for 41468	18	AR552	LED Clip 2 for 41468	48	AJ439	U Box for 41468	78
AJ405	Infall Box for 41468	19	AR553	LED Clip 1 for 41468	49	AJ440	U Wind Guiding Panel for 41468	79
AR548	Circuit Board for 41468	20	AQ857	Shelf Fixed Left Support for 41468	50	AJ441	Heating Element 1 for 41468	80
30597	Switch for 41468	21	AQ858	Shelf Fixed Right Support for 41468	51	AJ442	Fan Motor for 41468	81
AR549	Capacitance for 41468	22	70820	Rubber Feet Right for 41468	52	AJ443	Seal for 41468	82
AQ872	LED Power Driver for 41468	23	70819	Rubber Feet Left for 41468	53	AJ444	Bottom Insulation for 41468	83
AJ408	Transformer for 41468	24	AJ429	Back Bottom Panel for 41468	54	AJ445	Front Insulation for 41468	84
AJ409	Side Glass for 41468	25	AJ428	Front Bottom Panel for 41468	55	AJ446	Top Insulation for 41468	85
AJ410	Micro Switch for 41468	26	AJ427	Bottom Board for 41468	56	AQ868	Front Top Cover for 41468	86
AJ411	Micro Switch Bracket for 41468	27	AD869	Equipotential Grounding Block for 41468	57	AQ862	Right Metal Insert Part for 41468	87
AJ412	Back Glass for 41468	28	AD870	Fixed Plate for 41468	58	AQ863	Side Lower Metal Insert Part for 41468	88
AJ413	Motor for 41468	29	AJ430	Door Frame for 41468	59	AQ866	Side Transparent Plate for 41468	89
AJ414	Spring for 41468	30	AJ431	Door Glass for 41468	60			