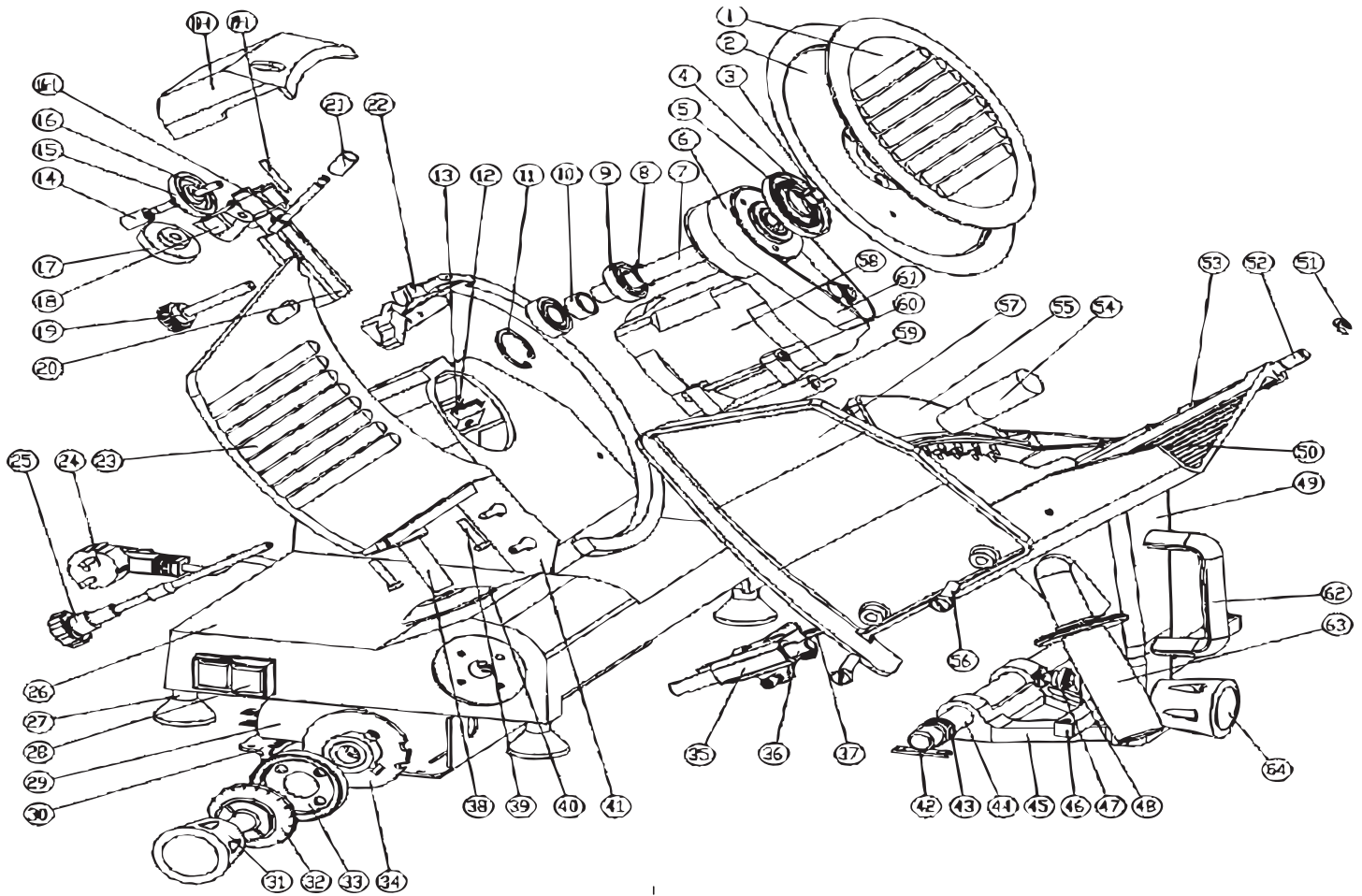


Parts Breakdown

Model MS-CN-0250-C 41711



Parts Breakdown

Model MS-CN-0250-C 41711

Item No.	Description	Position	Item No.	Description	Position	Item No.	Description	Position
20626	Protection Plate for 41711	1	20609	Sharpening Controller for 41711	21	20581	Spring for 41711	43
20625	Knife for 41711	2	20614	Protection Circle for 41711	22	20642	Circle Orbit for 41711	44
20562	Screw for 41711	3	20663	Locking Plate for 41711	23	20579	Sliding Core for 41711	45
AD412	Sealing Ring for Blade Shaft for 41711	4	20606	Wire for 41711	24	20637	Square Orbit for 41711	46
AD407	Sealing Ring for Blade Spindle for 41711	5	24146	Pull Pole with Black Knob for 41711	25	20578	Bearing of Spindle for 41711	47
20623	Sleeve of Knife for 41711	6	20662	Body for 41711	26	20577	Spindle for 41711	48
20622	Spindle of Knife for 41711	7	20661	Foot for 41711	27	20636	Sliding Stand for 41711	49
20555	Blocking Ring for 41711	8	27549	On/Off Switch 5 Pins 120VAC for 41711	28	20633	Carriage for 41711	50
20556	Bearing for 41711	9	20658	Capacitor for 41711	29	AD410	Circlip for 41711	51
20557	Isolating Sleeve for 41711	10	20659	Bottom Plate for 41711	30	20631	Sliding Pole for 41711	52
AD408	Blocking Ring for Hole for 41711	11	20652	Adjusting Handle Bar for 41711	31	AD411	Bearing for Pole of Carriage for 41711	53
20616	Microswitch for 41711	12	20653	Digital Plate for 41711	32	20634	Hand Bar of Pressing for 41711	54
AD409	Bracket for Microswitch for 41711	13	20654	Digital Ring for 41711	33	20632	Pressing for 41711	55
20609	Sharpening Controller for 41711	14	20588	Cams for 41711	34	20583	Screw for Plastic Board for 41711	56
20610	Sharpening Wheel for 41711	15	20648	Sliding Holder for 41711	35	20635	Plastic Protection for 41711	57
20607	Spindle of Wheel for 41711	16	20646	Spindle for 41711	36	20628	Motor for 41711	58
20612	Spindle of Wheel for 41711	16-1	20585	Bolt for 41711	37	20568	Board of Motor for 41711	59
20613	Sharpening Wheel for 41711	17	20657	Stand of Locking Plate for 41711	38	20567	Hinge Spindle for 41711	60
20611	Stand of Wheel for 41711	18	20594	Screw for 41711	39	20565	Belt 288mm x 22mm PU Material for 41711	61
20608	Cover of Wheel for 41711	18-1	20593	Waterproof Gasket for 41711	40	66036	Carriage Handle for 41711	63
20605	Screw for 41711	19	20603	Scraping Board for 41711	41	20638	Holder Handlebar for 41711	64
20604	Stand of Sharpener for 41711	20	20582	Screw for 41711	42	25198	Complete Sharpening Assy. for 41711	