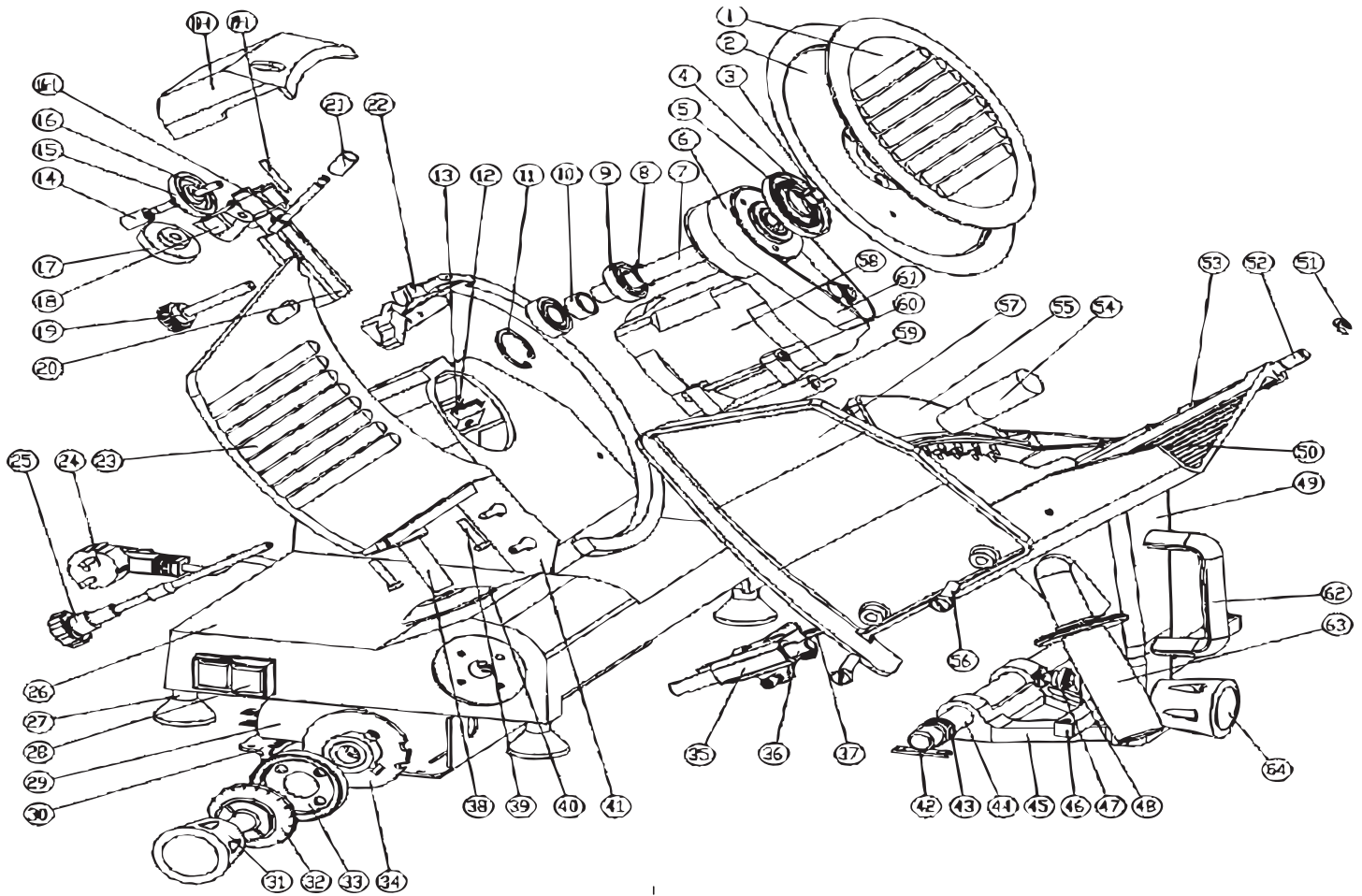


Parts Breakdown

Model MS-CN-0300-C 41712





Parts Breakdown

Model MS-CN-0300-C 41712

Item No.	Description	Position	Item No.	Description	Position	Item No.	Description	Position
20750	Protection Plate for 41712	1	20609	Sharpening Controller for 41712	21	20767	Spring for 41712	43
20749	Knife for 41712	2	20800	Protection Circle for 41712	22	20766	Circle Orbit for 41712	44
20562	Screw for 41712	3	20787	Locking Plate for 41712	23	20765	Sliding Core for 41712	45
AD413	Sealing Ring for Blade Shaft for 41712	4	20606	Wire for 41712	24	20761	Square Orbit for 41712	46
AD407	Sealing Ring for Blade Spindle for 41712	5	24147	Pull Pole with Black Knob for 41712	25	20764	Bearing of Spindle for 41712	47
20747	Sleeve of Knife for 41712	6	20786	Body for 41712	26	20763	Spindle for 41712	48
20746	Spindle of Knife for 41712	7	20661	Foot for 41712	27	20760	Sliding Stand for 41712	49
20555	Blocking Ring for 41712	8	27549	On/Off Switch 5 Pins 120VAC for 41712	28	20757	Carriage for 41712	50
20742	Bearing for 41712	9	20782	Capacitor for 41712	29	AD410	Circlip for 41712	51
20557	Isolating Sleeve for 41712	10	20783	Bottom Plate for 41712	30	20755	Sliding Pole for 41712	52
AD408	Blocking Ring for Hole for 41712	11	20776	Adjusting Handle Bar for 41712	31	AD411	Bearing for Pole of Carriage for 41712	53
20616	Microswitch for 41712	12	20653	Digital Plate for 41712	32	20634	Hand Bar of Pressing for 41712	54
AD409	Bracket for Microswitch for 41712	13	20654	Digital Ring for 41712	33	20756	Pressing Handle for 41712	55
20609	Sharpening Controller for 41712	14	20774	Cams for 41712	34	20583	Screw for Plastic Board for 41712	56
20610	Sharpening Wheel for 41712	15	20772	Sliding Holder for 41712	35	20759	Plastic Protection for 41712	57
20607	Spindle of Wheel for 41712	16	20770	Spindle for 41712	36	20752	Motor for 41712	58
20612	Spindle of Wheel for 41712	16-1	20585	Bolt for 41712	37	20754	Board of Motor for 41712	59
20613	Sharpening Wheel for 41712	17	20781	Stand of Locking Plate for 41712	38	20567	Hinge Spindle for 41712	60
20611	Stand of Wheel for 41712	18	20594	Screw for 41712	39	20751	Belt for 41712	61
20608	Cover of Wheel for 41712	18-1	20593	Waterproof Gasket for 41712	40	66036	Carriage Handle for 41712	63
20605	Screw for 41712	19	20789	Scraping Board for 41712	41	20762	Holder Handlebar for 41712	64
20604	Stand of Sharpener for 41712	20	20582	Screw for 41712	42	25199	Complete Sharpening Assy. for 41712	