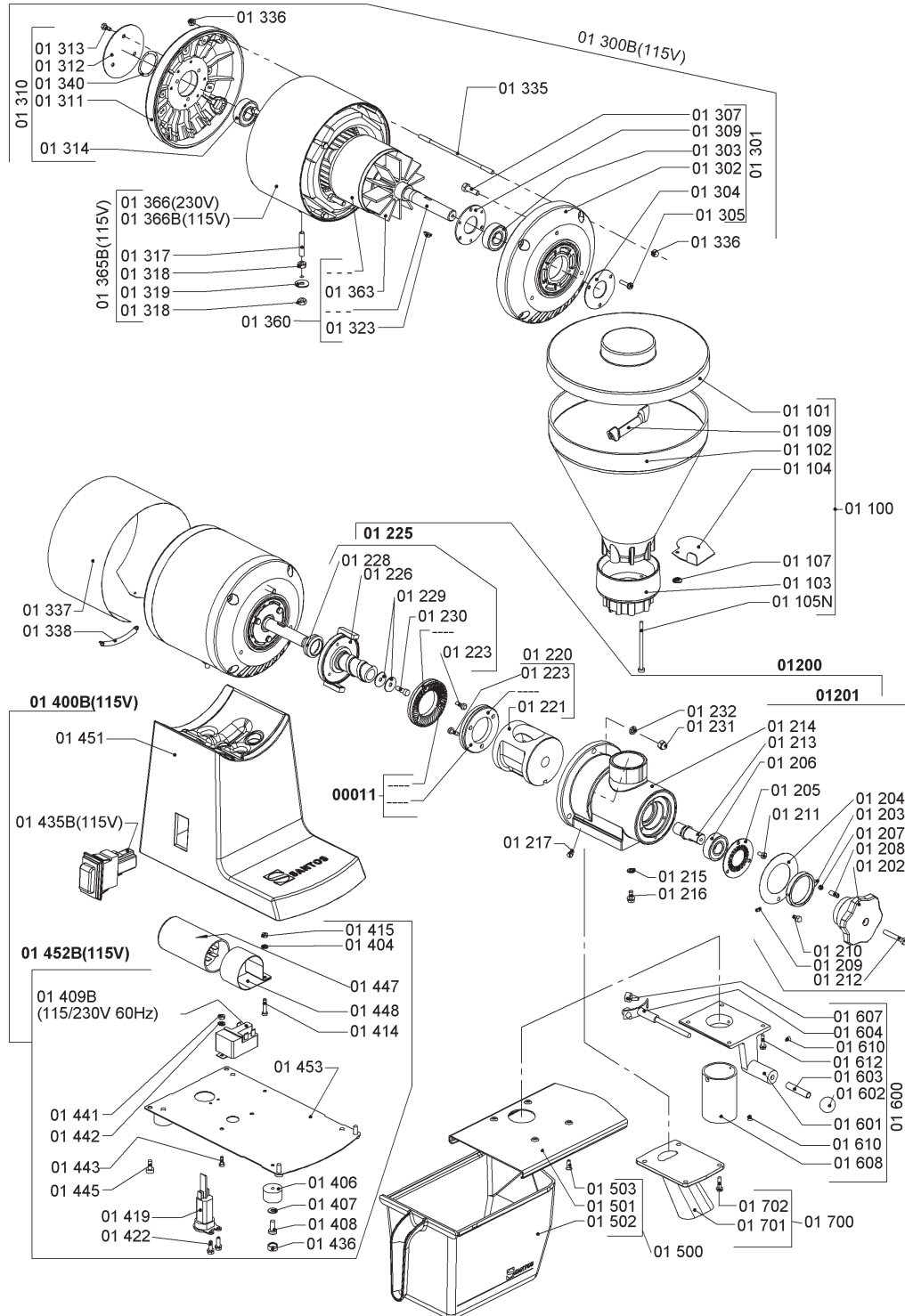


# Parts Breakdown

## Model Santos 01PV 44116



# Parts Breakdown

## Model Santos 01PV 44116

Item No.	Description	Position	Item No.	Description	Position	Item No.	Description	Position
AC559	Set of 2 Special Poppy Seeds Discs Diam. 63.5 for 44116	00011	AC594	Complete Feeding Screw Poppy for 44116	01225PV	AC626	Rear Flange Only Brown for 44116	01311
40662	Complete Hopper with Obturator for 44116	01100	AC595	Feeding Screw for 44116	01226	AC627	Chromed Bearing Washer for 44116	01312
63502	Hopper Cover for 44116	01101	AC596	V Ring Gasket V20 for 44116	01228	AC628	Screw H 4x10 for 44116	01313
AC566	Hopper for 44116	01102	AC597	Washer 5x20 for 44116	01229	AC629	Bearing 6202 for 44116	01314
40663	Obturator for 44116	01103	AC598	Screw CHC 5x15 for 44116	01230	AC630	Complete Stator (Winding) (Old<08/2017) for 44116	01315
AC567	Obturator Handle for 44116	01104	AC599	Cap Nut H M6 for 44116	01231	AC631	Stator Only Single Phase 200-240V 50Hz (Old<08/2017) for 44116	01316
AC568	Screw CX 4x60 Zn for 44116	01105	AC600	Washer Diam 6 for 44116	01232	AC632	Screw 6x35 for 44116	01317
AC569	Split Washer D 4 (Old) for 44116	01106	AC601	Bar Grind Housing with Adjusting Button for 44116	01250	AC633	Nut H M6 Zn for 44116	01318
AC570	Belleville Washer 5x12 for 44116	01107	AC602	Barista Indexing Pointer for 44116	01251	AC634	Washer 6x18x1 for 44116	01319
AC571	Safety Bar for 44116	01109	AC603	Screw CXS M4x12 Auto for 44116	01252	AC635	Pin 3x5 for 44116	01323
AC572	Complete Grind Housing (Poppy) for 44116	01200PV	AC604	Barista Grind Adjustment Screw for 44116	01253	AC636	Assembling Threaded Rod M5x134 for 44116	01335
AC573	Grind Housing with Adjusting Button for 44116	01201	AC605	Bearing Washer for 44116	01254	AC637	Cap Nut H M5 for 44116	01336
AC574	Adjusting Button for 44116	01202	AC606	Ring D15 for 44116	01255	AC638	Stainless Steel Motor Protector for 44116	01337
AC575	Index for 44116	01203	AC607	Barista Adjusting Button Spring for 44116	01256	AC639	Motor Protector Spring for 44116	01338
AC576	Graduated Round Plate for 44116	01204	AC608	Barista Index Locking Screw for 44116	01257	AC640	Ondulated Washer 6202 for 44116	01340
AC577	Bearing Washer for 44116	01205	AC609	Barista Graduated Ring for 44116	01258	AC641	Complete Rotor with Shaft - Single Phase and Pin for 44116	01360
AC578	Bearing 6202 for 44116	01206	AC610	Barista Soft Button for 44116	01260	AC642	Complete Stator (Winding) 110V 60Hz (or 220V 60Hz) for 44116	01365B
AC579	Steel Ball D 6 for 44116	01207	AC611	Screw HC M8x10 for 44116	01261	AC643	Stator Only Single Phase 110V 60Hz (or 220V 60Hz) for 44116	01366B
AC580	Adjusting Button Spring for 44116	01208	AC612	Barista Adjusting Button for 44116	01262	AC644	Complete Base - 1 Phase 110-120V 60 Hz for 44116	01400B
AC581	Screw HC M4x8 for 44116	01209	AC613	Adjusting Ring for 44116	01264	AC645	Complete Bottom Plate 115V (Old) for 44116	01402B
AC582	Screw H 4x8 Zn for 44116	01210	AC614	O Ring 25x2.5 for 44116	01265	AC646	Bottom Plate (Old) for 44116	01403
AC583	Screw H 4x8 Zn for 44116	01211	AC615	Barista Grind Housing for 44116	01266	AC647	Washer AZ 4 ZN for 44116	01404
AC584	Screw CB M5x35 Zn for 44116	01212	AC616	Barista Complete Grind Housing for 44116	01270	AC648	Rubber Foot D 25 for 44116	01406
AC585	Grind Adjustment Screw for 44116	01213	AC617	Complete Motor Single Phase 110V 60Hz (or 220V 60Hz) for 44116	01300B	AC649	Washer 5x12 for 44116	01407
AC586	Grind Housing for 44116	01214	AC618	Complete Front Flange (Brown) for 44116	01301	AC650	Screw TCL 5.5x16 Zn for 44116	01408
AC587	Washer AZ 5 for 44116	01215	AC619	Front Flange Only (Brown) for 44116	01302	AC651	Starting Relay 100-120V 50/60Hz and 220V/60Hz for 44116	01409B
AC588	Screw H 5x10 Zn for 44116	01216	AC620	Bearing 6202 for 44116	01303	AC652	Screw H 4.8x12.7 ZN for 44116	01410
AC589	Screw CB M4x10 Zn for 44116	01217	AC621	Bearing Washer (Thin) for 44116	01304	AC653	Capacitor 250 MF 110 / 220V 60Hz for 44116	01412B
AC590	Complete Grind Core for 44116	01220	AC622	Screw M4x16 for 44116	01305	AC654	Capacitor Ring D38 for 44116	01413
AC591	Grind Core for 44116	01221	AC623	Screw H M6x20 Zn for 44116	01307	AC655	Capacitor Screw for 44116	01414
AC592	Diameter 63.5 Grinding Disc (Poppy) for 44116	01222	AC624	Bearing Washer (Thick) for 44116	01309	AC656	Nut H M4 Zn for 44116	01415
AC593	Screw M4x10 for 44116	01223	AC625	Complete Rear Flange for 44116	01310	AC657	Switch (Old) for 44116	01416

# Parts Breakdown

## Model Santos 01PV 44116

Item No.	Description	Position	Item No.	Description	Position	Item No.	Description	Position
AC658	On-Off Plate (Old) for 44116	01417	AC672	Bottom Plate for 44116	01453	AC685	Screw TF M4x10 Zn for 44116	01503
AC659	Power Cord with USA Plug for 44116	01419B	AC673	Reversing Rotative Barista Switch for 44116	01455	AC686	Complete Bag Holder for 44116	01600
AC660	Screw H 4.2x12.7 ZN for 44116	01422	AC674	Screw CXS M4x12 Auto for 44116	01456	AC687	Bag Holder Sole for 44116	01601
AC661	Special On-Off Multifunctions Switch 230V 8A115V for 44116	01435B	AC675	Barista Plate for 44116	01457	AC688	Bakelite Ball for 44116	01602
AC662	Cap D12.2x6.2 Black for 44116	01436	AC676	Grooved Drive Stud 3x8 Stainless Steel for 44116	01458	AC689	Bag Holder Spring for 44116	01603
AC663	Membrane + Plastic Tally Assembly for 44116	01437	AC677	Screw HC M6x8 for 44116	01459	AC690	Complete Bag Holder Axle for 44116	01604
AC664	Nut H M4 Zn for 44116	01441	AC678	Barista On/Off Button for 44116	01460	AC691	Rubber Buffer D12 H 7.5 for 44116	01607
AC665	Washer AZ 4 ZN for 44116	01442	AC679	Barista Complete Base 115V for 44116	01470B	AC692	Bag Holder Tube (Polished) for 44116	01608
AC666	Screw CB M4x10 Zn for 44116	01443	AC680	Barista Black Painted Base for 44116	01471	AC693	SCREW FZ M3x6 for 44116	01610
AC667	Screw H M5x12 Zn Autotar for 44116	01445	AC681	Barista Bottom Plate 220V for 44116	01472	AC694	Complete Poppy Outlet for 44116	01700
AC668	Capacitor 150 µF Diam 46 for 44116	01447	AC682	Circuit Breaker 8A (115V) for 44116	01474B	AC695	Ground Poppy Outlet Pipe for 44116	01701
AC669	Capacitor Ring D46 for 44116	01448	AC683	Complete Drawer with Sustainer + Screws for 44116	01500	AC696	Screw HM 4x16 Zn Auto for 44116	01702
AC670	Painted Base for 44116	01451	AC684	Drawer Sustainer Only for 44116	01501	AC697	Barista Complete Poppy Outlet for 44116	01770
AC671	Complete Bottom Plate 115V for 44116	01452B	40664	Poppy Drawer for 44116	01502	AC698	Barista Ground Poppy Outlet Pipe for 44116	01771