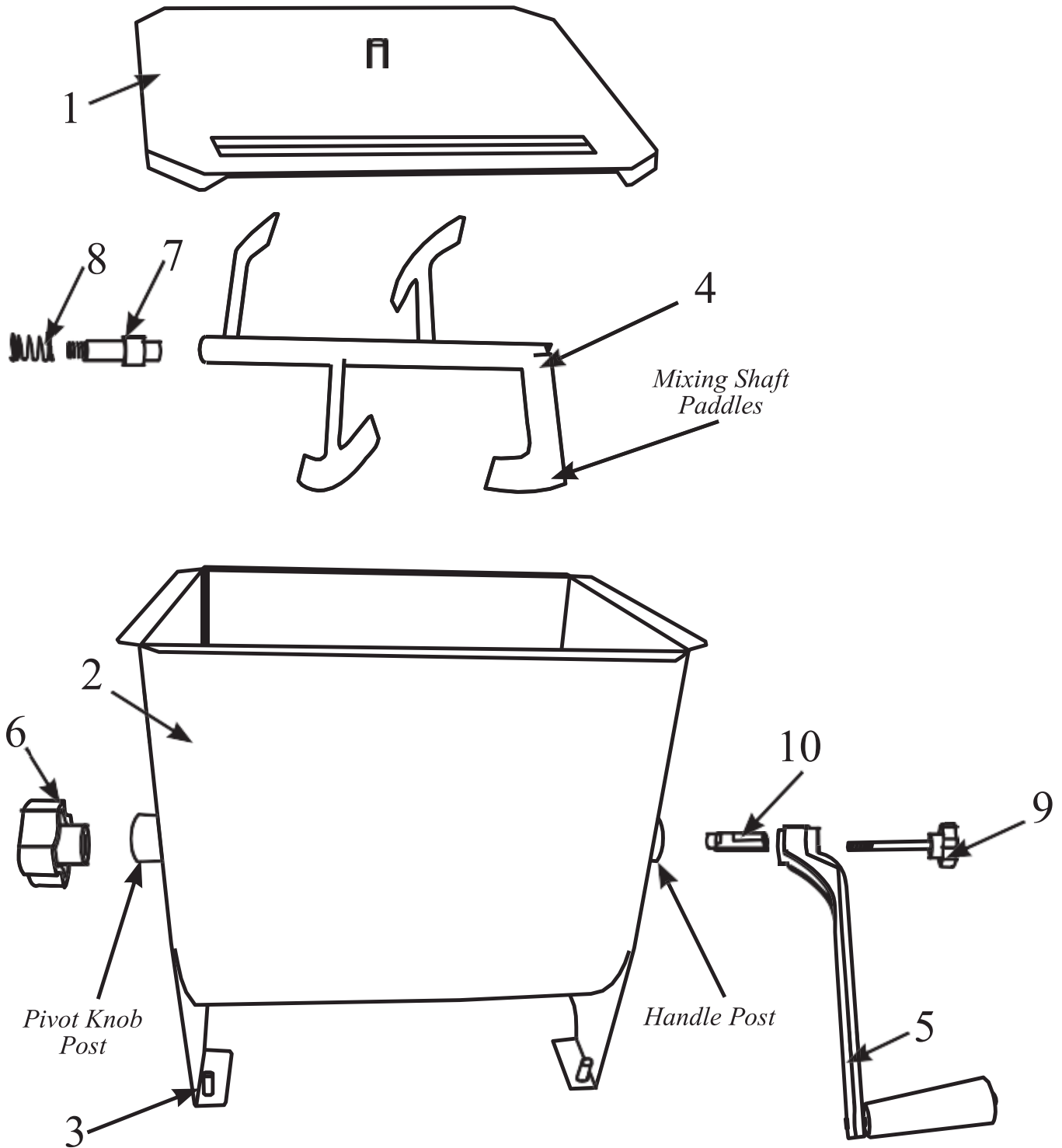


Parts Breakdown

Model MM-CN-0020 44424





Parts Breakdown

Model MM-CN-0020 44424

Item No.	Description	Position	Item No.	Description	Position	Item No.	Description	Position
AG826	Clear Lid for 44424	1	AG830	Handle for 44424	5	AG834	Handle Retaining Knob for 44424	9
AG827	Mixing Tub for 44424	2	AG831	Pivot Knob for 44424	6	AG835	Handle Pivot Pin for 44424	10
AG828	Rubber Feet for 44424	3	AG832	Pivot Pin for 44424	7			
AG829	Mixing Shaft/Paddles for 44424	4	AG833	Pivot Spring for 44424	8			